

US00D544454S

(12) **United States Design Patent**  
**Miyazaki**

(10) **Patent No.:** **US D544,454 S**

(45) **Date of Patent:** **\*\* Jun. 12, 2007**

(54) **COMBINED VIDEO EDITOR AND MONITOR**

D480,399 S \* 10/2003 Takita et al. .... D14/399  
D487,446 S \* 3/2004 Oka ..... D14/156

(75) Inventor: **Tetsuro Miyazaki**, Tokyo (JP)

(73) Assignee: **Sony Corporation**, Tokyo (JP)

(\*\*) Term: **14 Years**

(21) Appl. No.: **29/221,986**

(22) Filed: **Jan. 26, 2005**

(51) **LOC (8) Cl.** ..... **14-03**

(52) **U.S. Cl.** ..... **D14/125**

(58) **Field of Classification Search** ..... D14/125-136,  
D14/239, 371, 374-376, 492, 299, 356, 361-363,  
D14/365, 496, 156, 157, 160; 312/7.2, 208.1-223.2;  
348/836, 838, 180, 184, 325, 739, 10, 460;  
341/12; 248/917-924; 345/104, 133, 156,  
345/168, 87; 361/690-696; 369/75.1, 75.2,  
369/77.1, 77.2

See application file for complete search history.

(56) **References Cited**

**U.S. PATENT DOCUMENTS**

D280,511 S \* 9/1985 Moggridge et al. .... D14/315  
D314,372 S \* 2/1991 Morris ..... D14/321  
D409,618 S \* 5/1999 Yamakawa et al. .... D14/217  
D417,669 S \* 12/1999 Ito et al. .... D14/217  
D434,397 S \* 11/2000 Sasago ..... D14/125  
D439,229 S \* 3/2001 Ishibashi ..... D14/136  
6,515,856 B2 \* 2/2003 Hidesawa ..... 361/687

**OTHER PUBLICATIONS**

Web page "Streamnix C" <http://w3.hnikko.co.jp/products/jisya/streamnixc/index.html>, 1 sheet, Hnikko Co.(Jun. 2004).

\* cited by examiner

*Primary Examiner*—Raphael Barkai

*Assistant Examiner*—Randall H. Gholson

(74) *Attorney, Agent, or Firm*—Rader, Fishman & Grauer PLLC

(57) **CLAIM**

The ornamental design for a combined video editor and monitor, as shown.

**DESCRIPTION**

FIG. 1 is a perspective view of a combined video editor and monitor showing my new design;

FIG. 2 is a front elevational view thereof;

FIG. 3 is a rear elevational view thereof;

FIG. 4 is a left side elevational view thereof;

FIG. 5 is a right side elevational view thereof;

FIG. 6 is a top plan view thereof; and,

FIG. 7 is a bottom plan view thereof.

**1 Claim, 4 Drawing Sheets**



FIG. 1

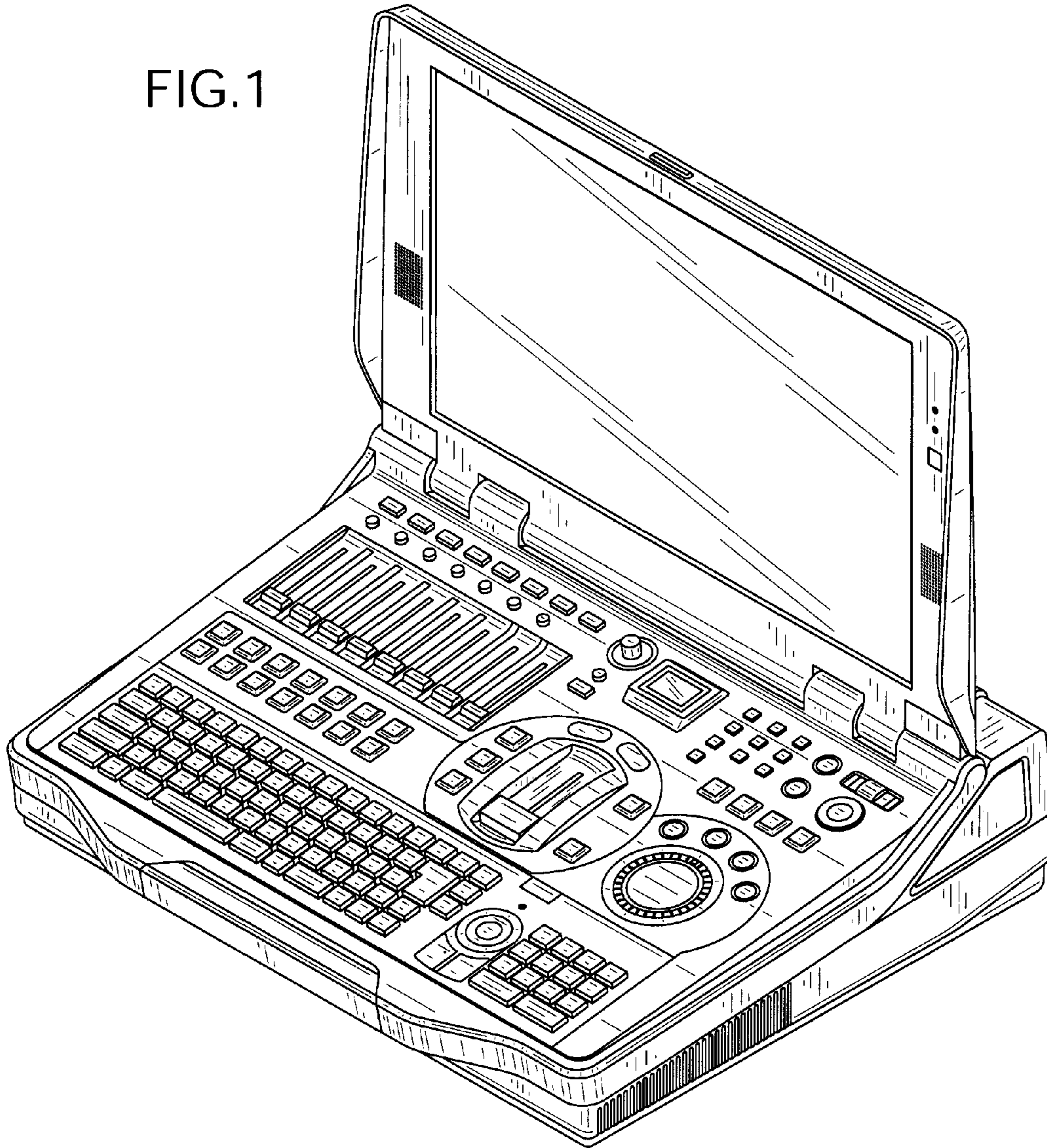


FIG.2

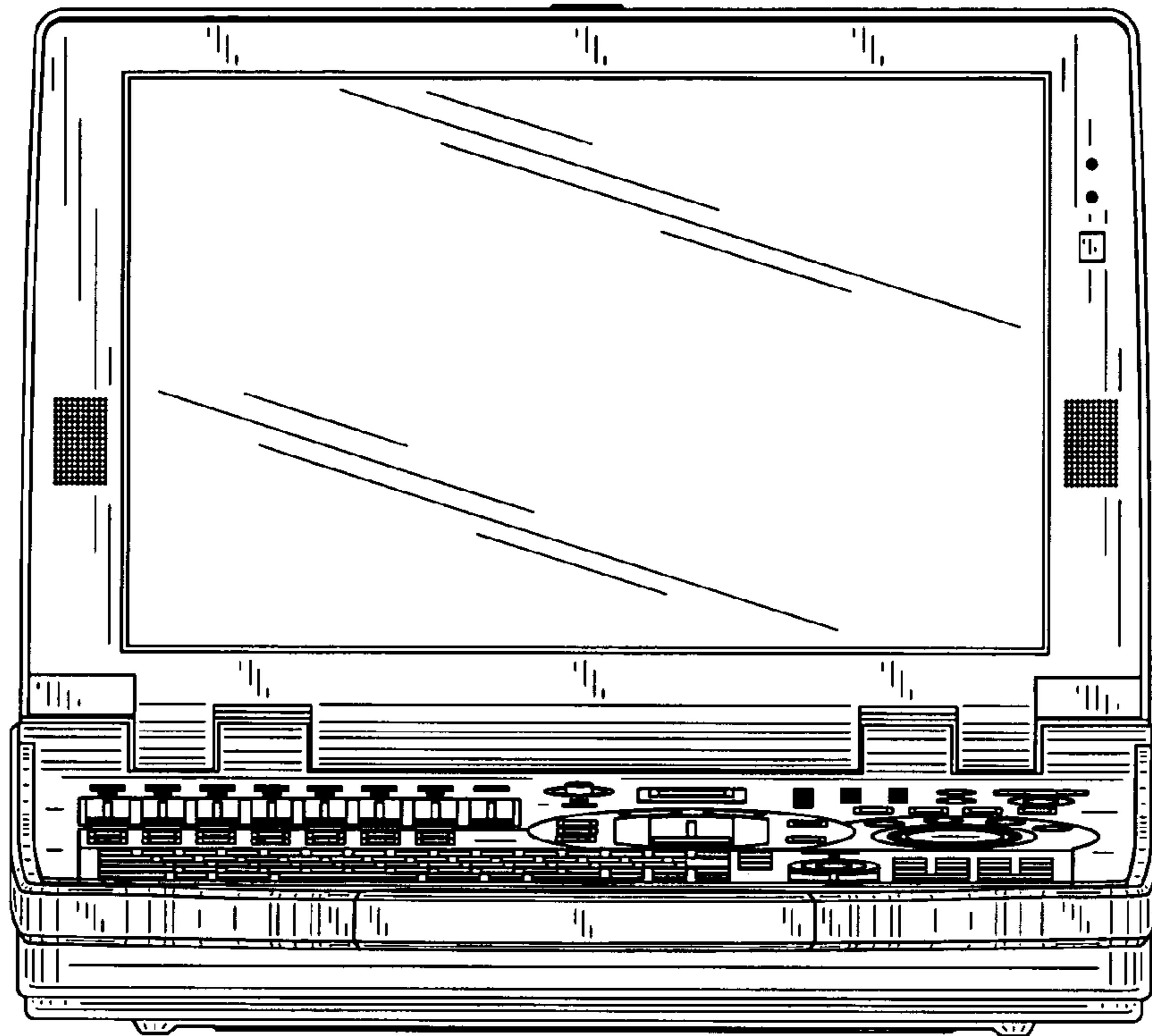


FIG.3

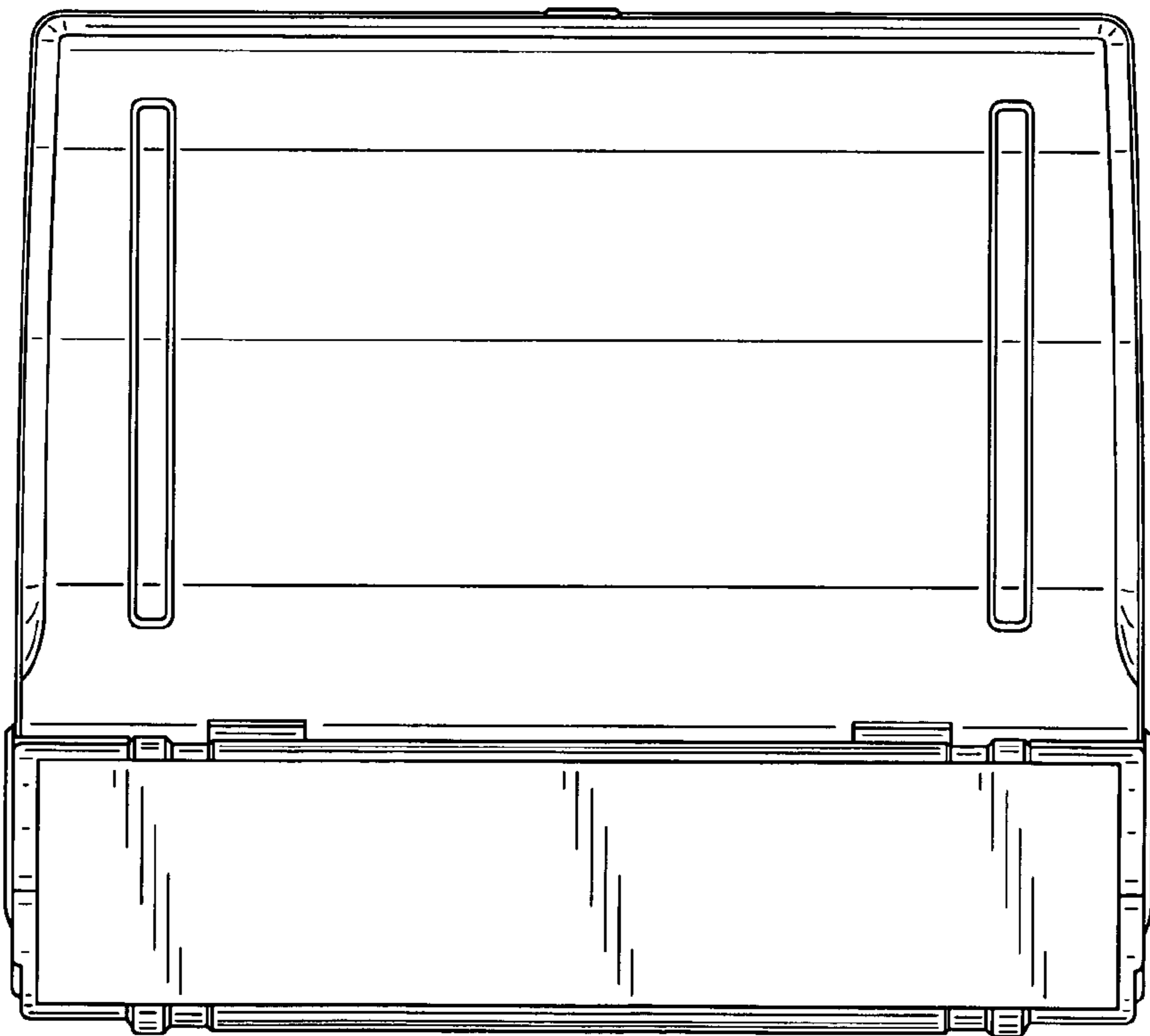


FIG.4

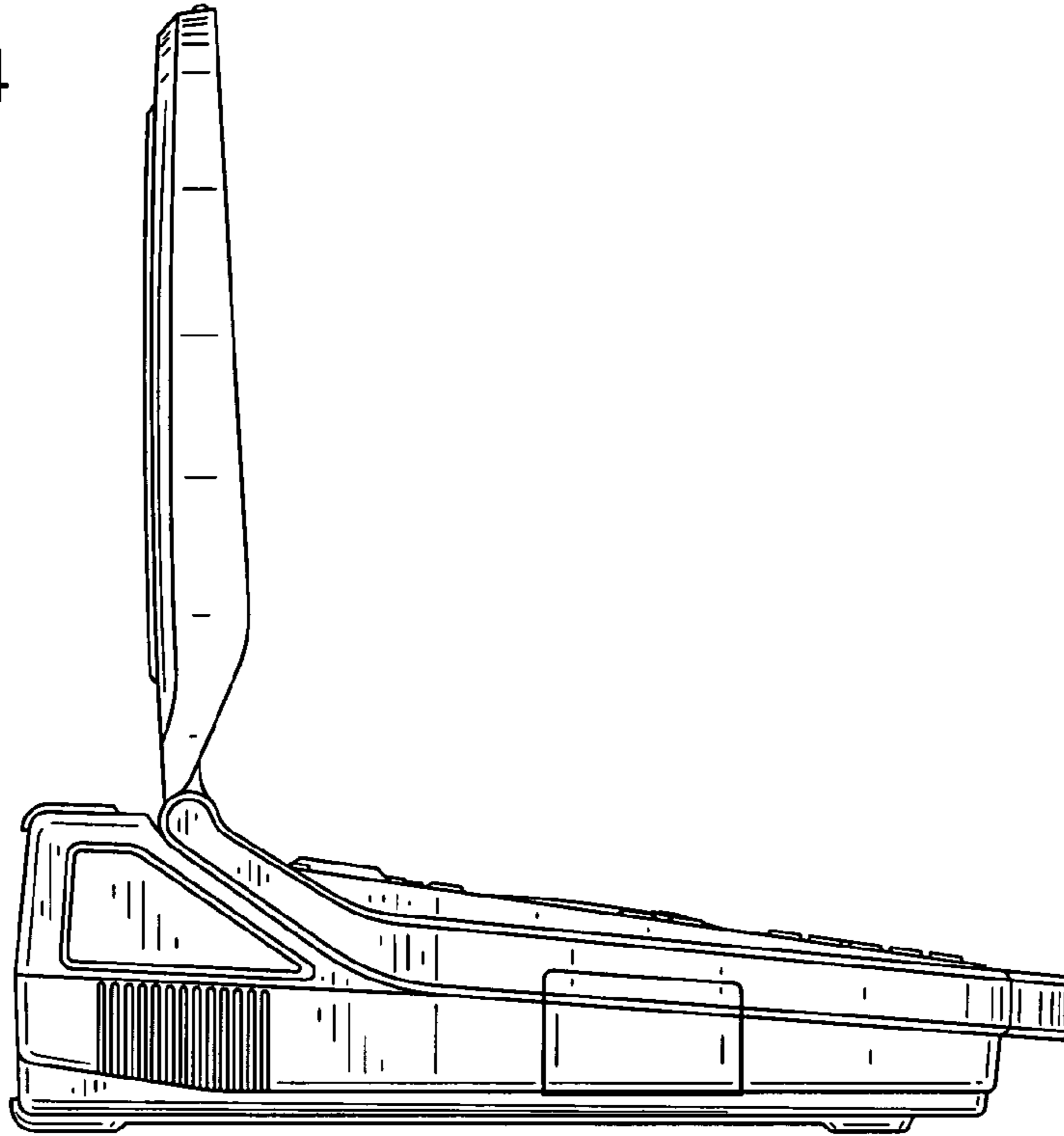


FIG.5

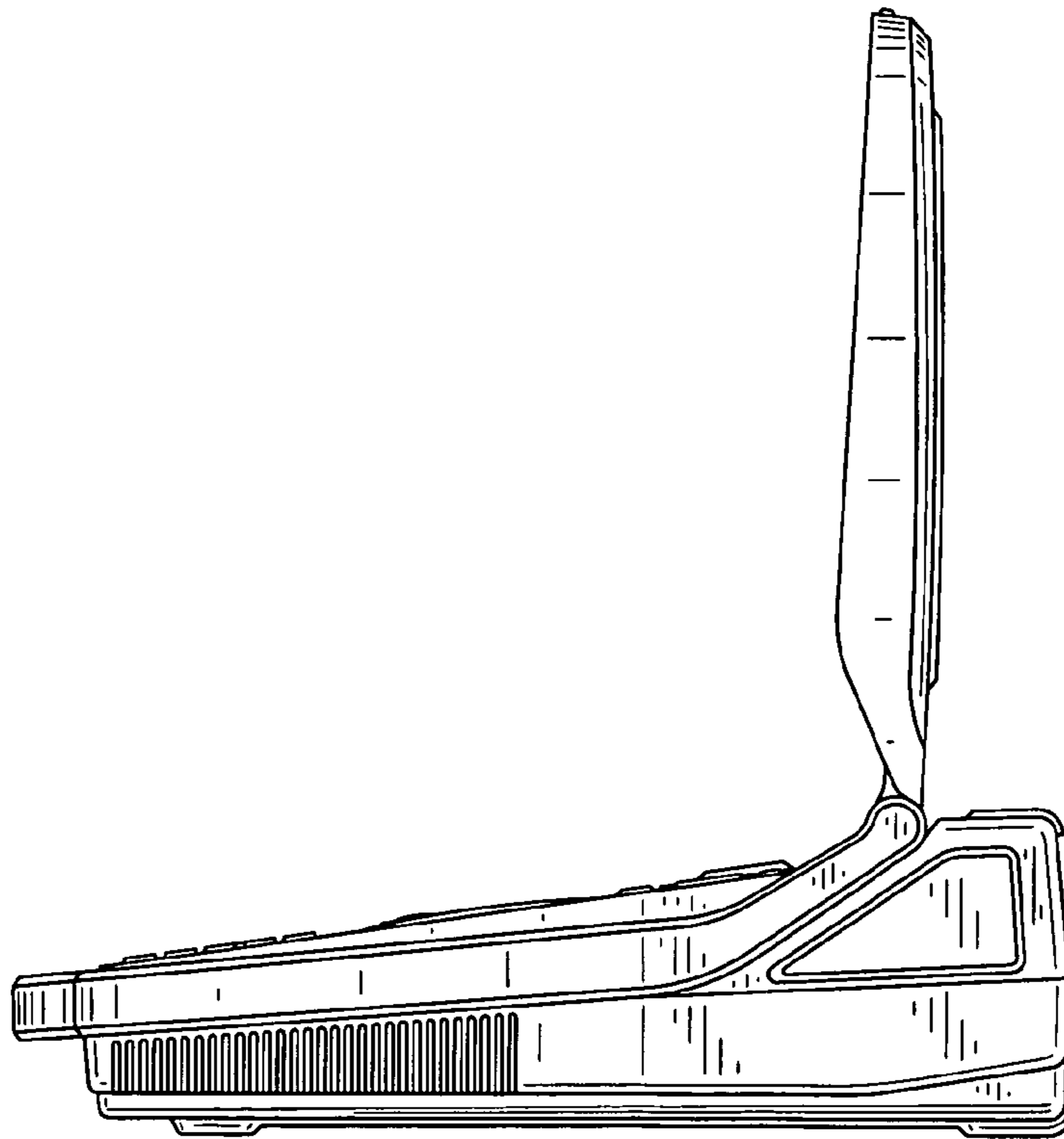


FIG.6

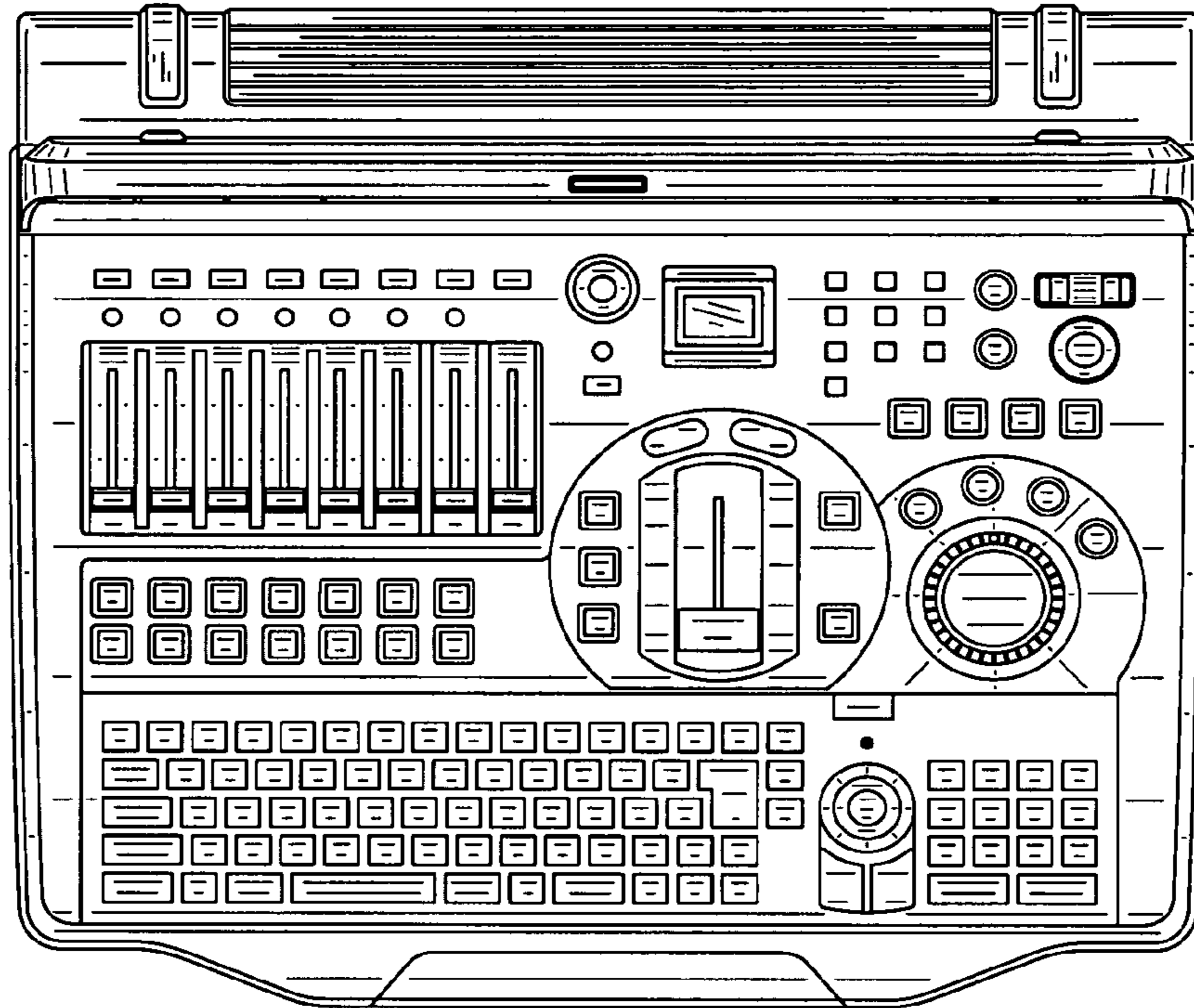


FIG.7

