

US00D544451S

(12) **United States Design Patent** (10) **Patent No.:** **US D544,451 S**
Nan (45) **Date of Patent:** **** Jun. 12, 2007**

(54) **VIBRATOR CONTROLLER**

(75) Inventor: **Simon Siu Man Nan**, Richmond Hill (CA)

(73) Assignee: **Nanma Manufacturing Co. Ltd.**, Chai Wan (HK)

(**) Term: **14 Years**

(21) Appl. No.: **29/239,053**

(22) Filed: **Sep. 23, 2005**

(51) **LOC (8) Cl.** **13-03**

(52) **U.S. Cl.** **D13/162; D13/171**

(58) **Field of Classification Search** D13/158–168, D13/118, 122, 123, 179, 171, 184; D14/371, D14/240, 239; D10/46, 49, 96; D24/215; 361/728, 729, 736, 740, 752, 761; 315/291, 315/294, 295; 362/559, 225; 700/17–32; 345/173, 156; 439/761, 341
See application file for complete search history.

(56) **References Cited**

U.S. PATENT DOCUMENTS

D377,337 S *	1/1997	Schaeffer	D13/171
D379,798 S *	6/1997	McGrath et al.	D13/168
D429,819 S *	8/2000	Coolidge	D24/215
D432,997 S *	10/2000	Bonn	D13/174
D462,667 S *	9/2002	Donofrio et al.	D13/168
D486,127 S *	2/2004	Donofrio et al.	D13/168
D499,811 S *	12/2004	Nan	D24/215
D507,543 S *	7/2005	Ishii et al.	D13/174
D511,145 S *	11/2005	Donofrio et al.	D13/168
D515,770 S *	2/2006	Ryan et al.	D34/35
D523,963 S *	6/2006	Telford	D24/215
2004/0193080 A1 *	9/2004	Siddhartha	601/72

OTHER PUBLICATIONS

Doc Johnson I vibe Vibrator Controller & Egg, Strawberry, <http://www.vitadigrry.com/doc-i-vibe-egg-straw.html>, dated Dec. 27, 2005, 1 page.

Pussy Pleaser, <http://mojogarden.com/index/asp?PageAction=VIEWPROD&ProdID=518>, dated Dec. 27, 2005, 1 page.

Deep Penetrating Latex Dong, <http://mojogarden.com/Index/asp?PageAction=VIEWPROD&ProdID=541>, dated Dec. 27, 2005, 1 page.

Clit Kisser, <http://mologarden.com/index/asp?PageAction=VIEWPROD&ProdID=516>, dated Dec. 27, 2005, 2 page.

* cited by examiner

Primary Examiner—Selina Sikder

Assistant Examiner—Thomas Johannes

(74) *Attorney, Agent, or Firm*—Peter S. Gilster; Greensfelder, Hemker, & Gale, P.C.

(57) **CLAIM**

The ornamental design for a vibrator controller, as shown and described.

DESCRIPTION

FIG. 1 is a perspective view of the vibrator controller showing my new design.

FIG. 2 is a side view of the design shown in FIG. 1.

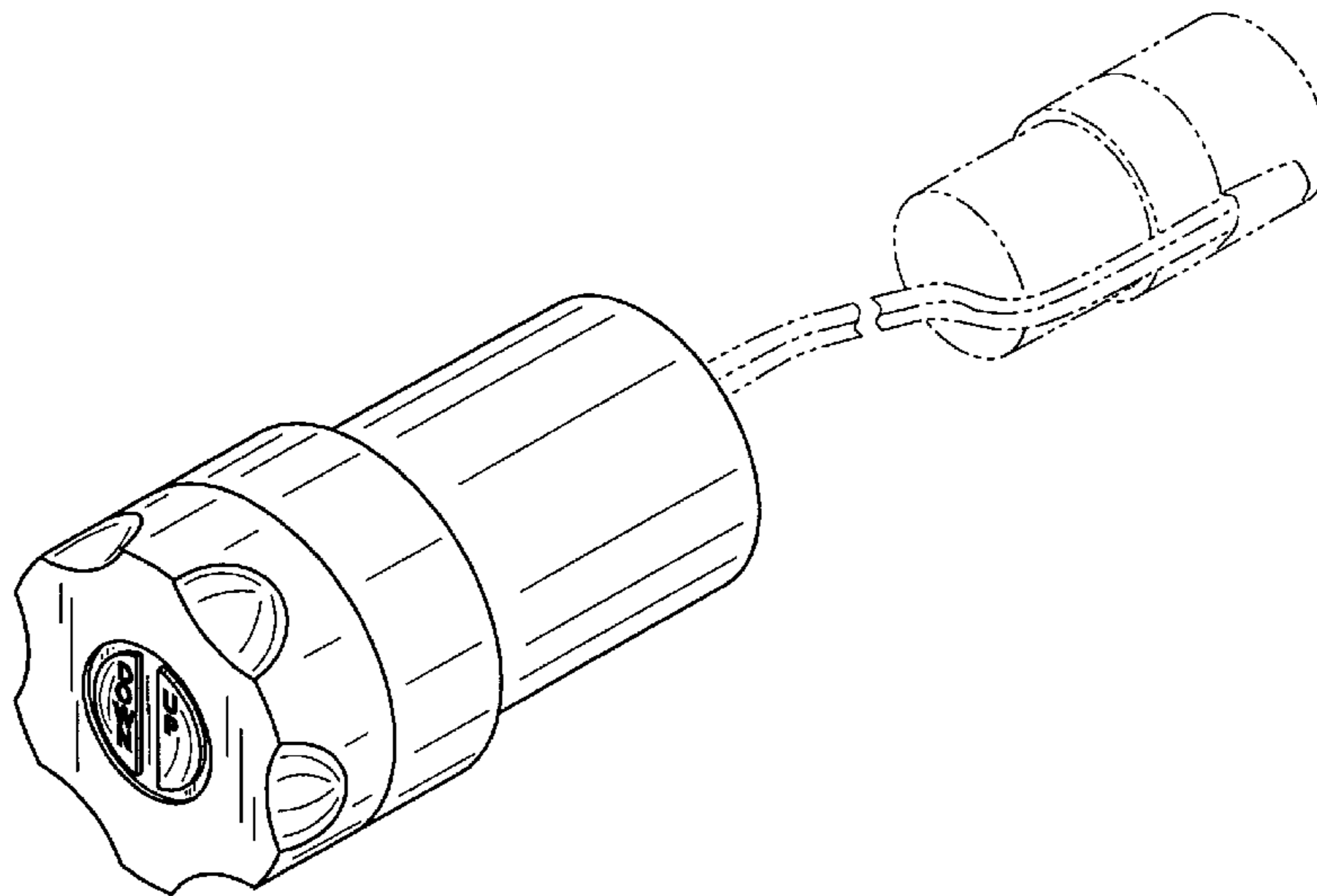
FIG. 3 is an opposing side view thereof, rotated 180° from that shown in FIG. 2.

FIG. 4 is an end view of the vibrator controller shown in FIG. 1; and,

FIG. 5 is an opposing end view thereof, rotated 180° from that shown in FIG. 5.

The broken line showing of the environment is included for illustrative purposes only and forms no part of the claimed design.

1 Claim, 1 Drawing Sheet



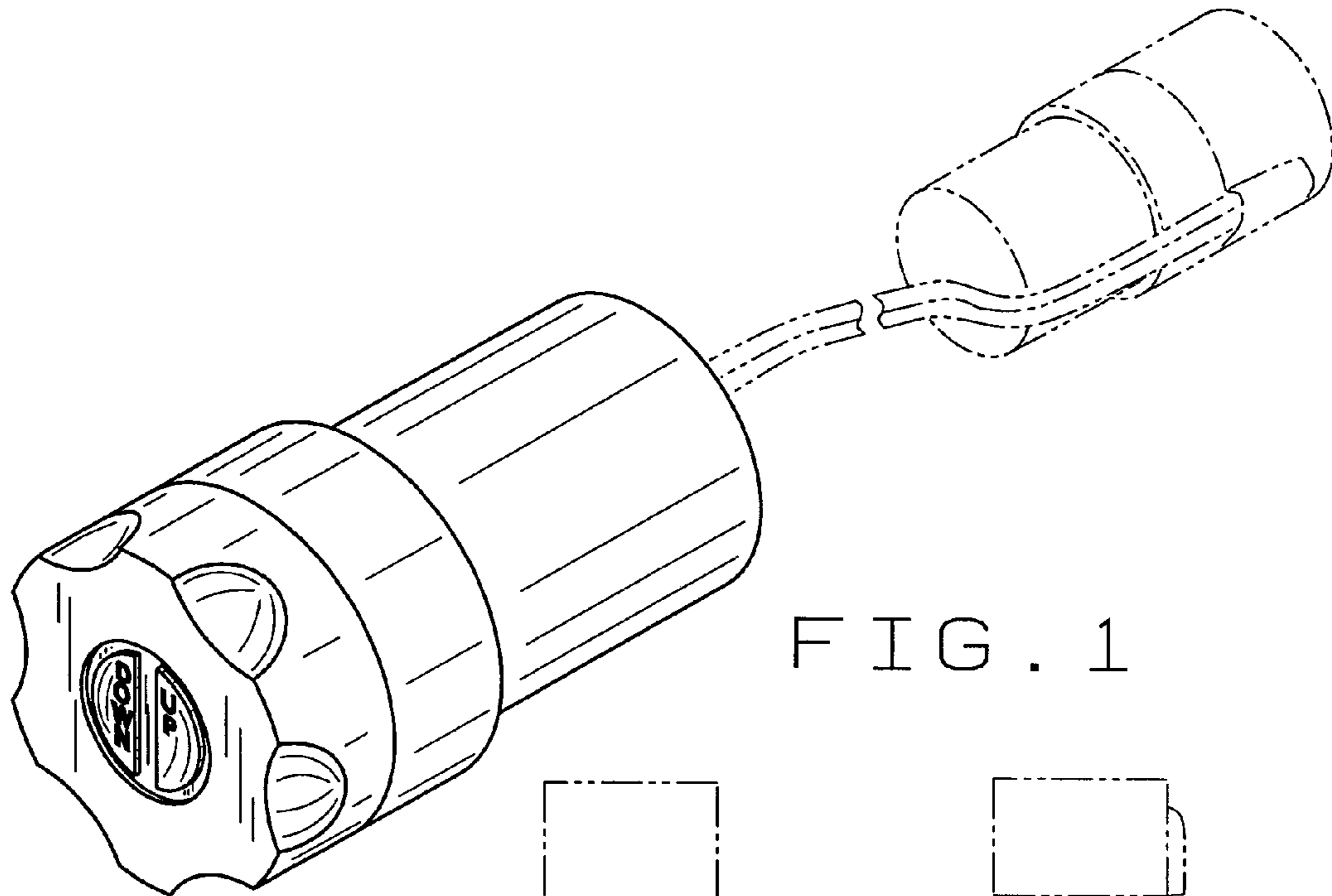


FIG. 1

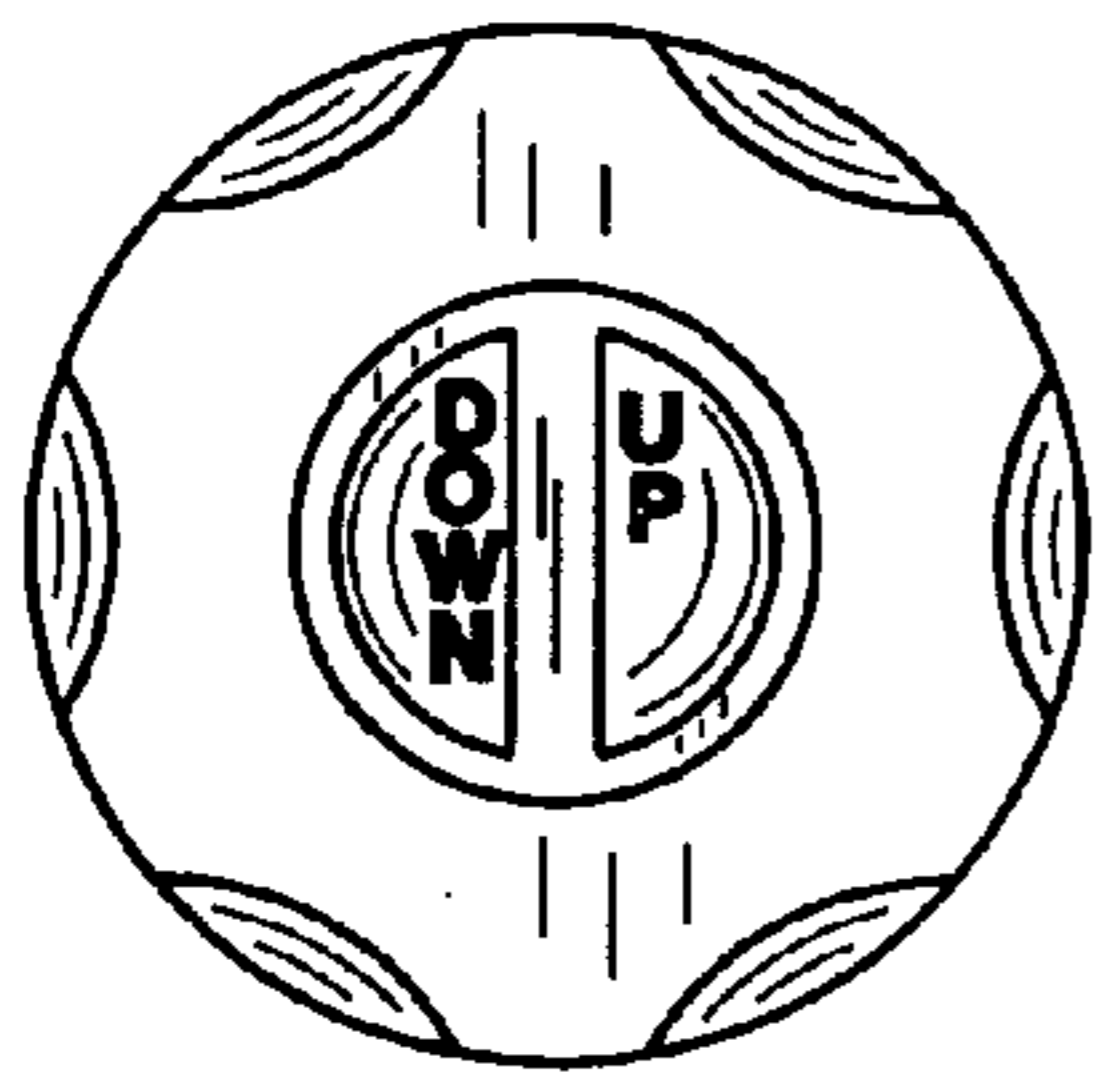


FIG. 4

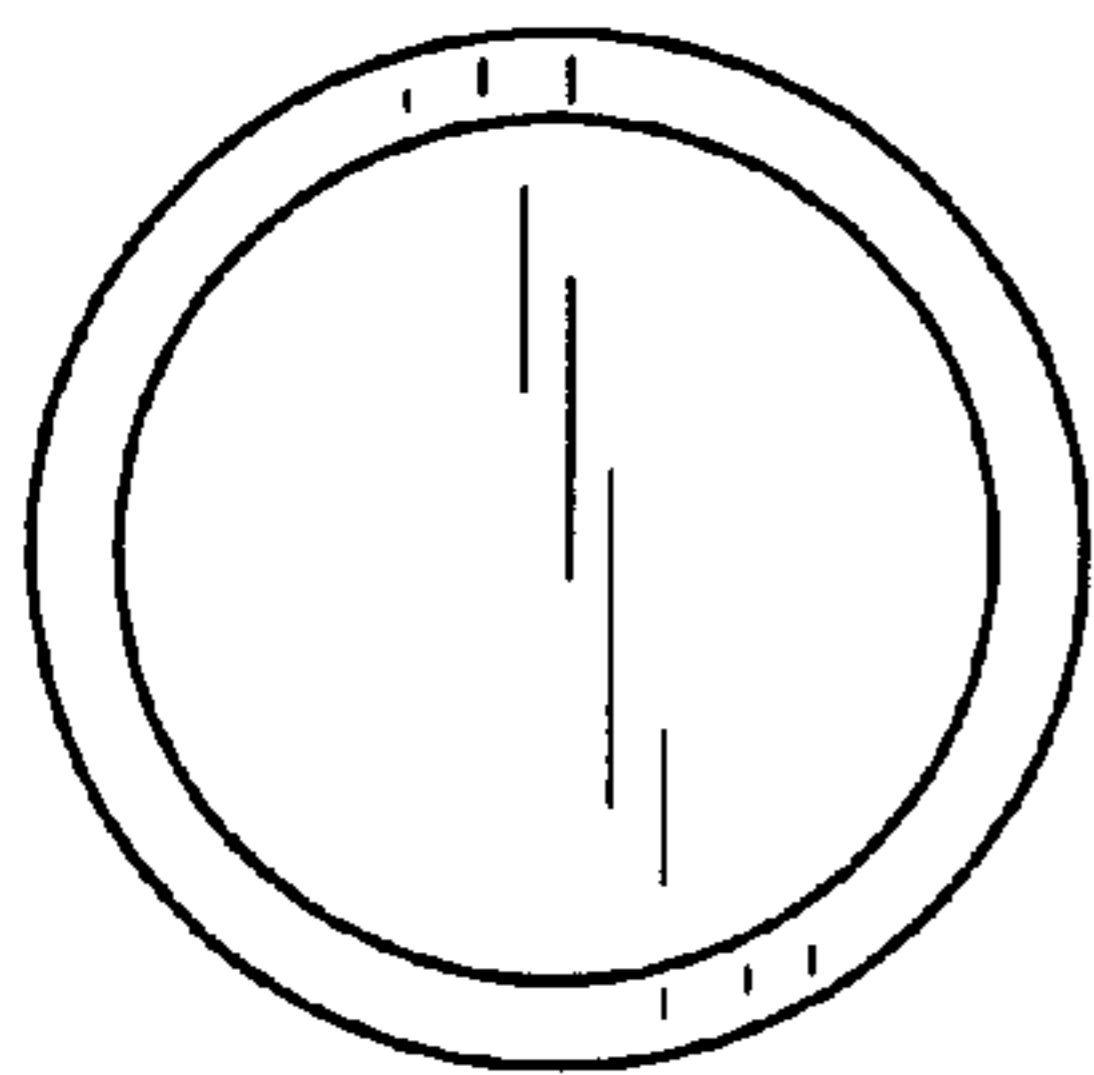


FIG. 5

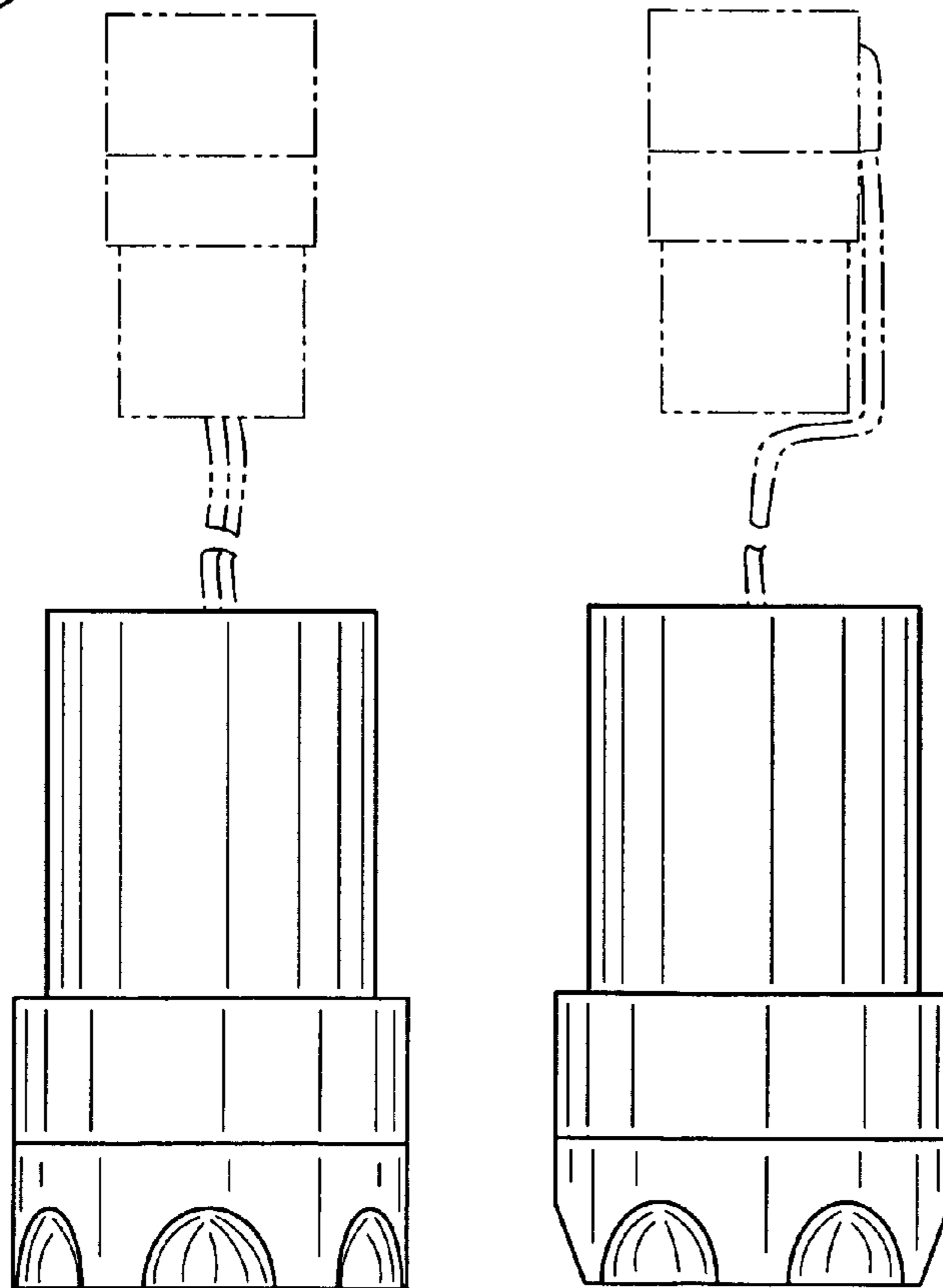


FIG. 3

FIG. 2