



US00D544449S

(12) **United States Design Patent**
Hayashi et al.

(10) **Patent No.:** **US D544,449 S**

(45) **Date of Patent:** **** Jun. 12, 2007**

(54) **ELECTRICAL CONNECTOR**

(75) Inventors: **Toshiaki Hayashi**, Aichi (JP); **Atsushi Nishida**, Aichi (JP)

(73) Assignees: **Tyco Electronics AMP K.K.**, Kanagawa-Ken (JP); **Toyota Jidosha Kabushiki Kaisha**, Aichi-Ken (JP)

(**) Term: **14 Years**

(21) Appl. No.: **29/221,304**

(22) Filed: **Jan. 13, 2005**

(30) **Foreign Application Priority Data**

Jul. 16, 2004 (JP) 2004-021599

(51) **LOC (8) Cl.** **13-03**

(52) **U.S. Cl.** **D13/154; D13/133**

(58) **Field of Classification Search** D13/133-134, D13/146-147, 154, 149, 184, 199; 439/353, 439/488, 537, 586, 680, 682, 685, 752
See application file for complete search history.

(56) **References Cited**

U.S. PATENT DOCUMENTS

- D265,189 S * 6/1982 Eriksson et al. D10/114
- D317,289 S * 6/1991 Fukuda et al. D13/133
- D317,290 S * 6/1991 Inaba et al. D13/146
- D324,373 S * 3/1992 Kondo et al. D13/134
- D387,730 S * 12/1997 McCarthy D13/133

- 6,354,867 B1 * 3/2002 Tachi et al. 439/488
- D519,455 S * 4/2006 Tufano et al. D12/134
- 7,081,024 B2 * 7/2006 Karadimas et al. 439/680
- 2003/0148659 A1 * 8/2003 Walker et al. 439/537
- 2003/0157825 A1 * 8/2003 Kane 439/352
- 2006/0205268 A1 * 9/2006 Hayashi et al. 439/488

* cited by examiner

Primary Examiner—Daniel Bui

(74) *Attorney, Agent, or Firm*—Barley Snyder LLC

(57) **CLAIM**

The ornamental design for an electrical connector, as shown and described.

DESCRIPTION

FIG. 1 is a front elevation view of an electrical connector, showing our new design;
 FIG. 2 is a back elevation view thereof;
 FIG. 3 is a top plan view thereof;
 FIG. 4 is a bottom plan view thereof;
 FIG. 5 is a left side elevation view thereof;
 FIG. 6 is a right side elevation view thereof;
 FIG. 7 is a cross-sectional view taken along line 7—7 in FIG. 1;
 FIG. 8 is a cross-sectional view taken along line 8—8 in FIG. 1; and,
 FIG. 9 is a top, front and left side perspective view thereof. The broken line showing of the environment is for illustrative purposes only and forms no part of the claimed design.

1 Claim, 5 Drawing Sheets

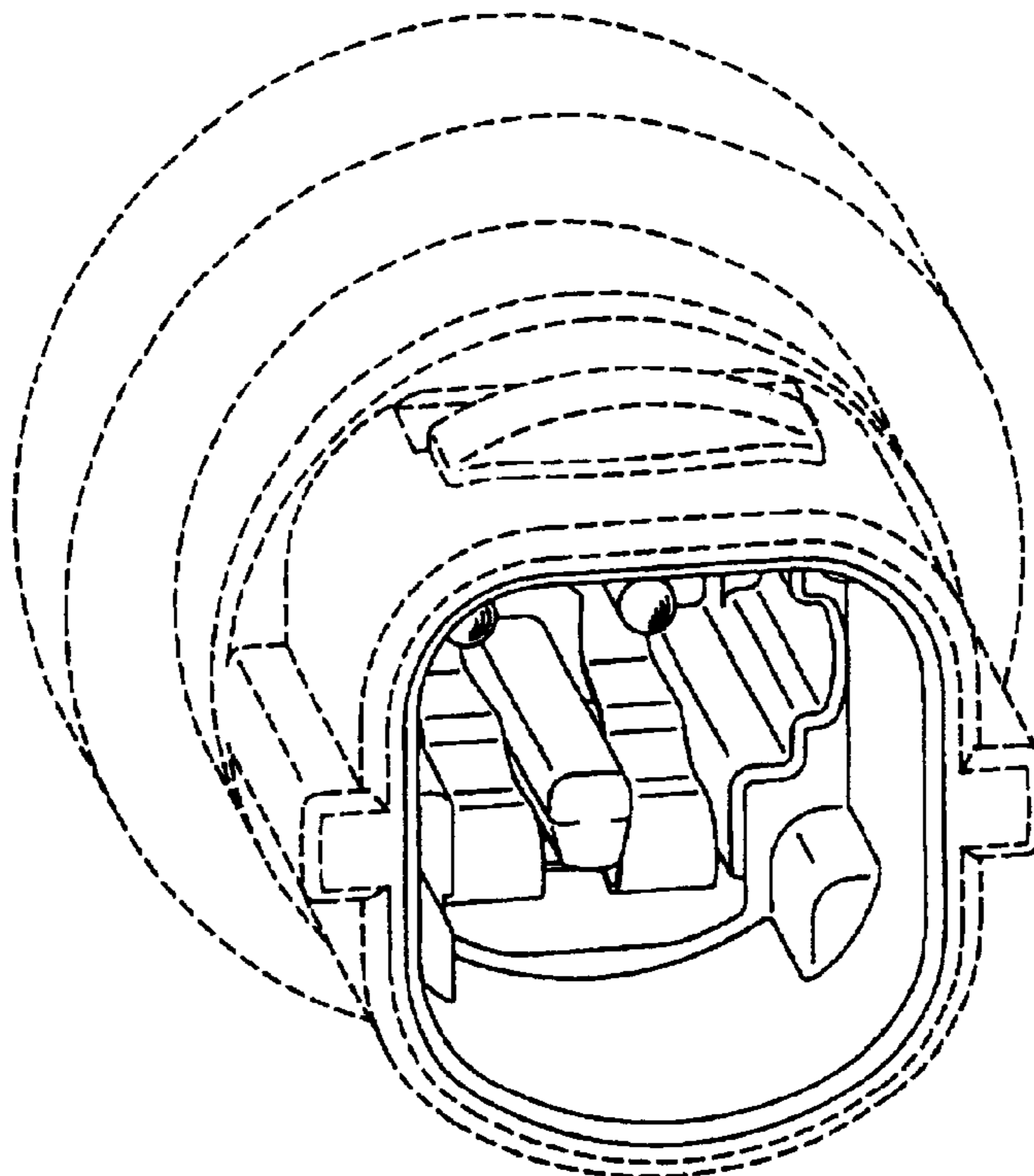


Figure 1

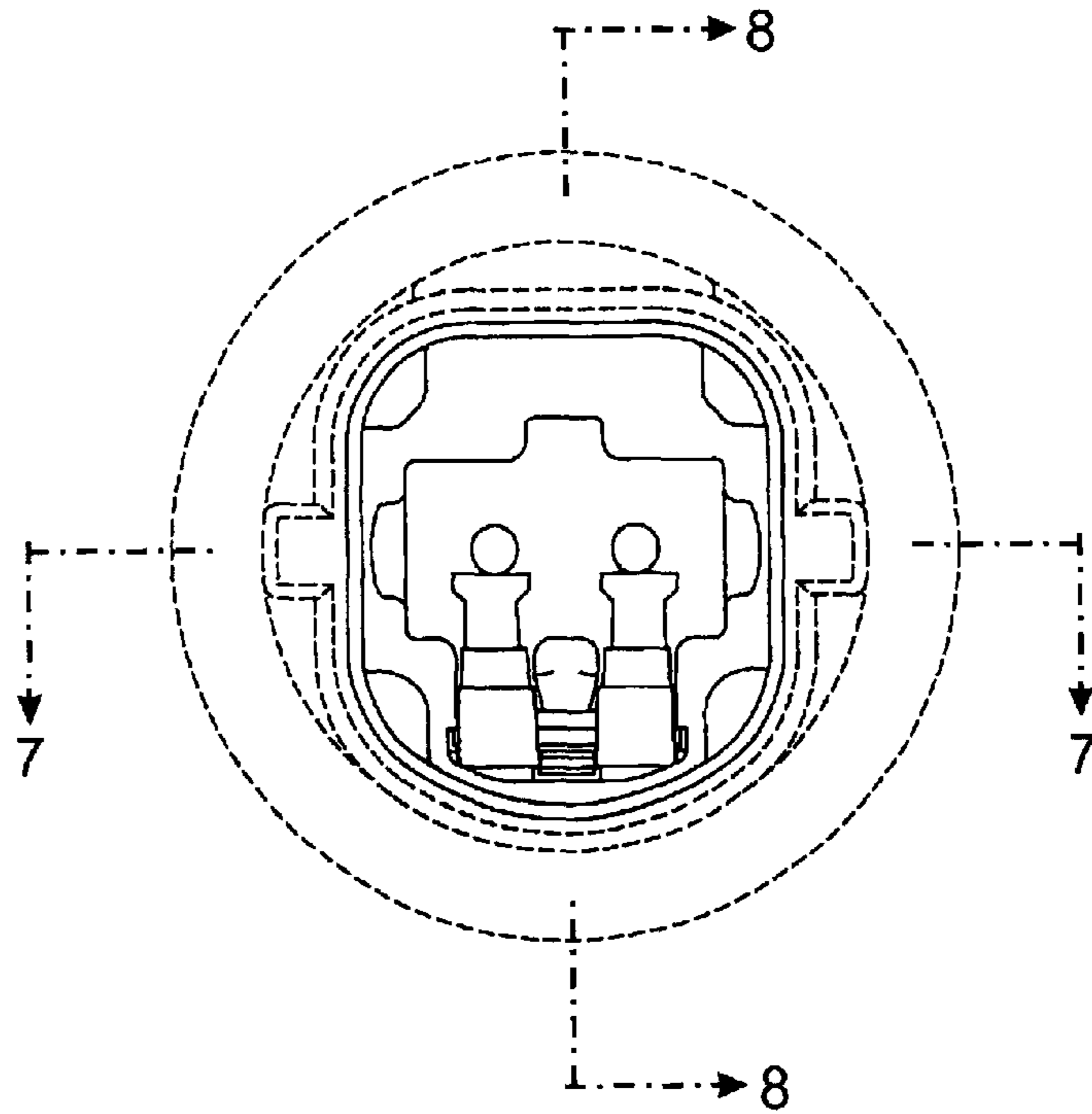


Figure 2

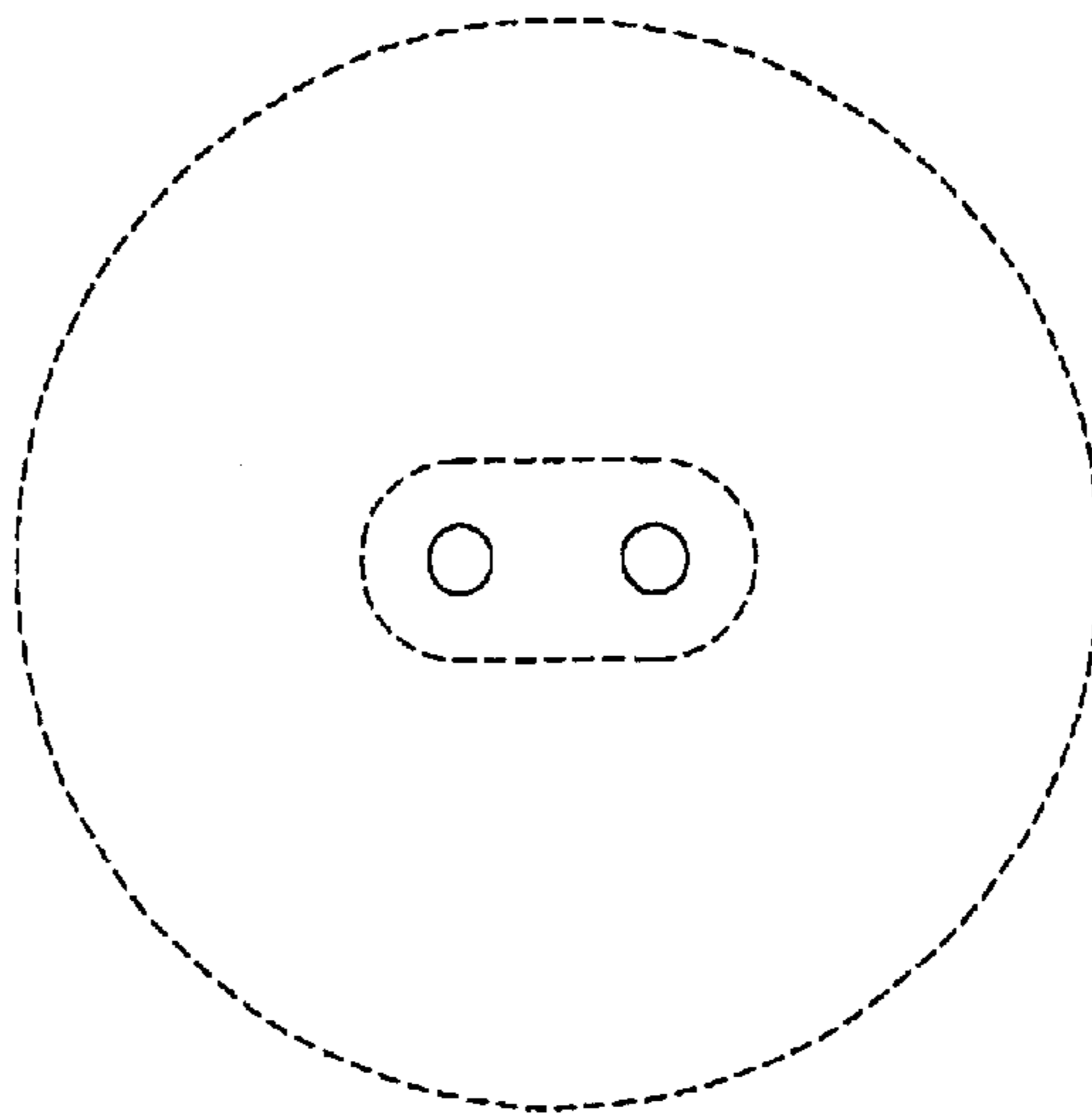


Figure 3

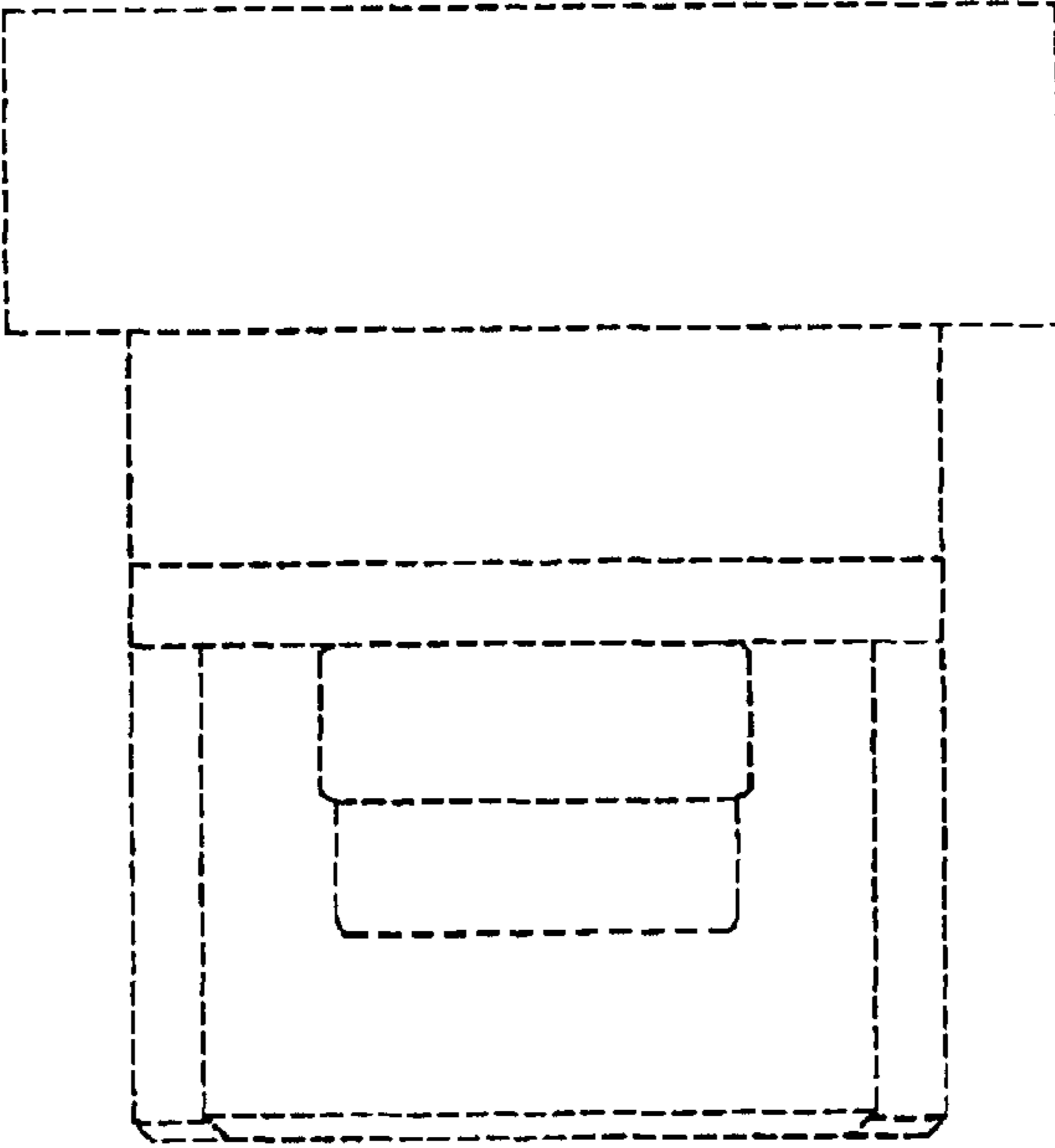


Figure 4

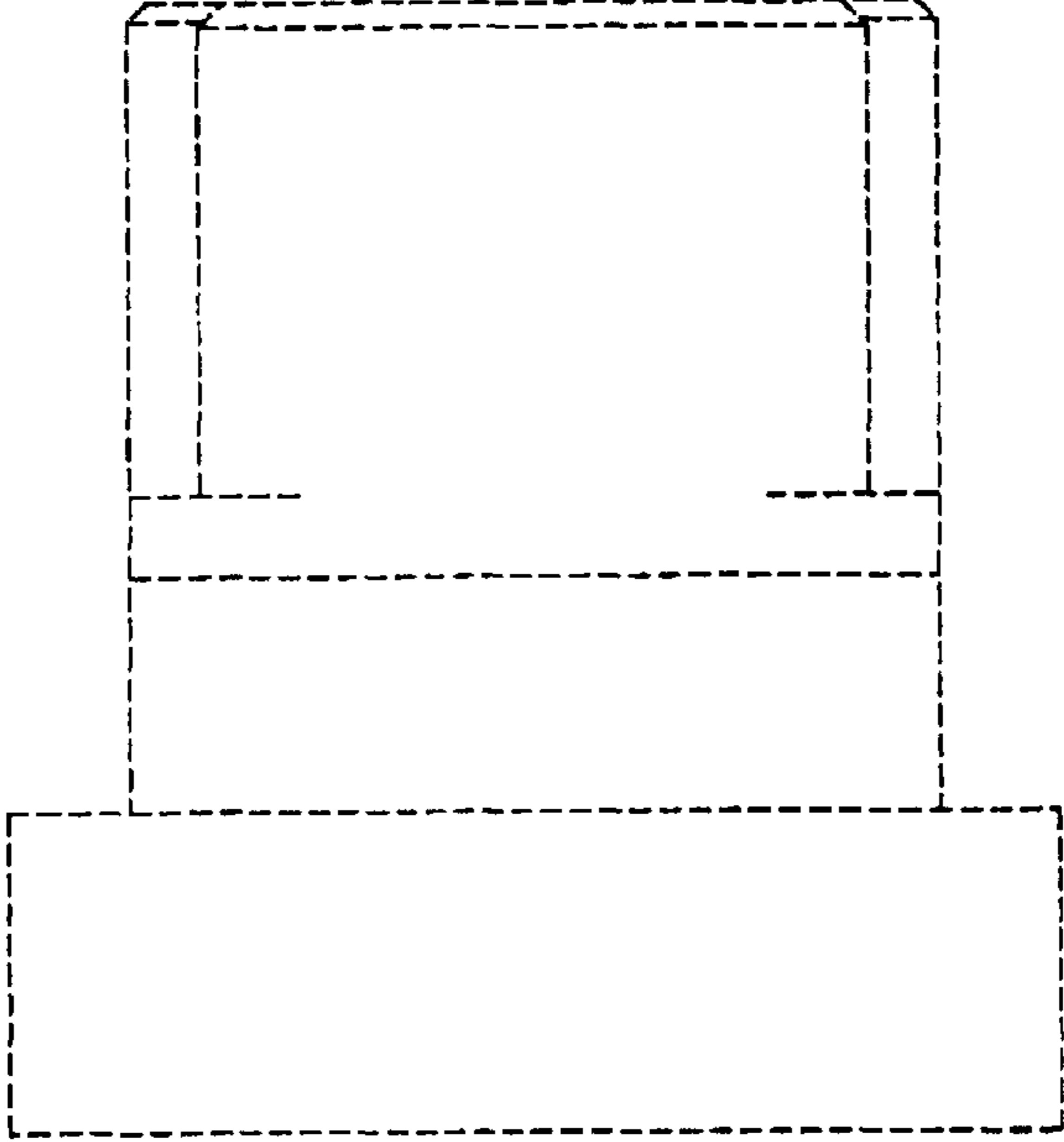


Figure 5

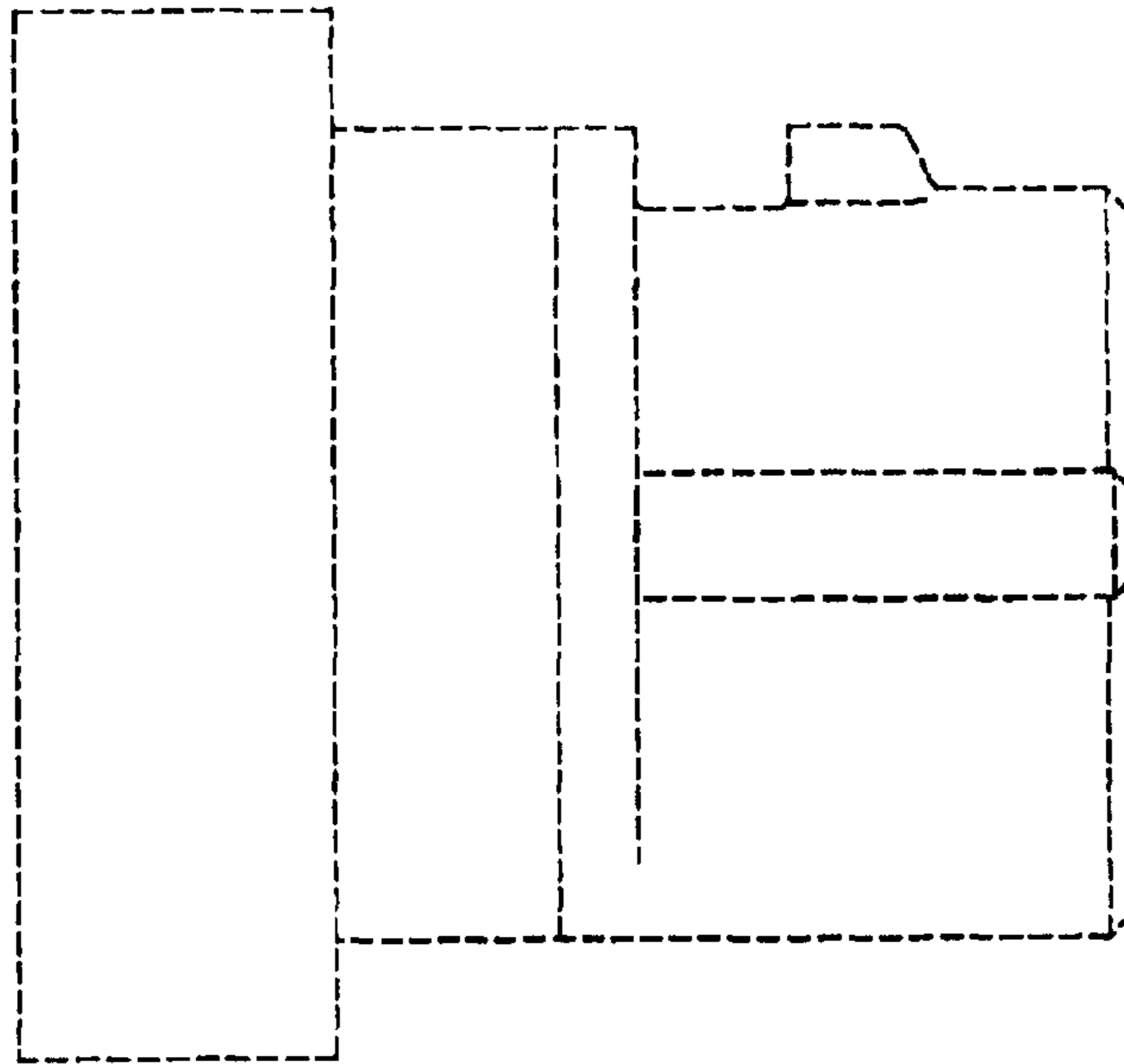


Figure 6

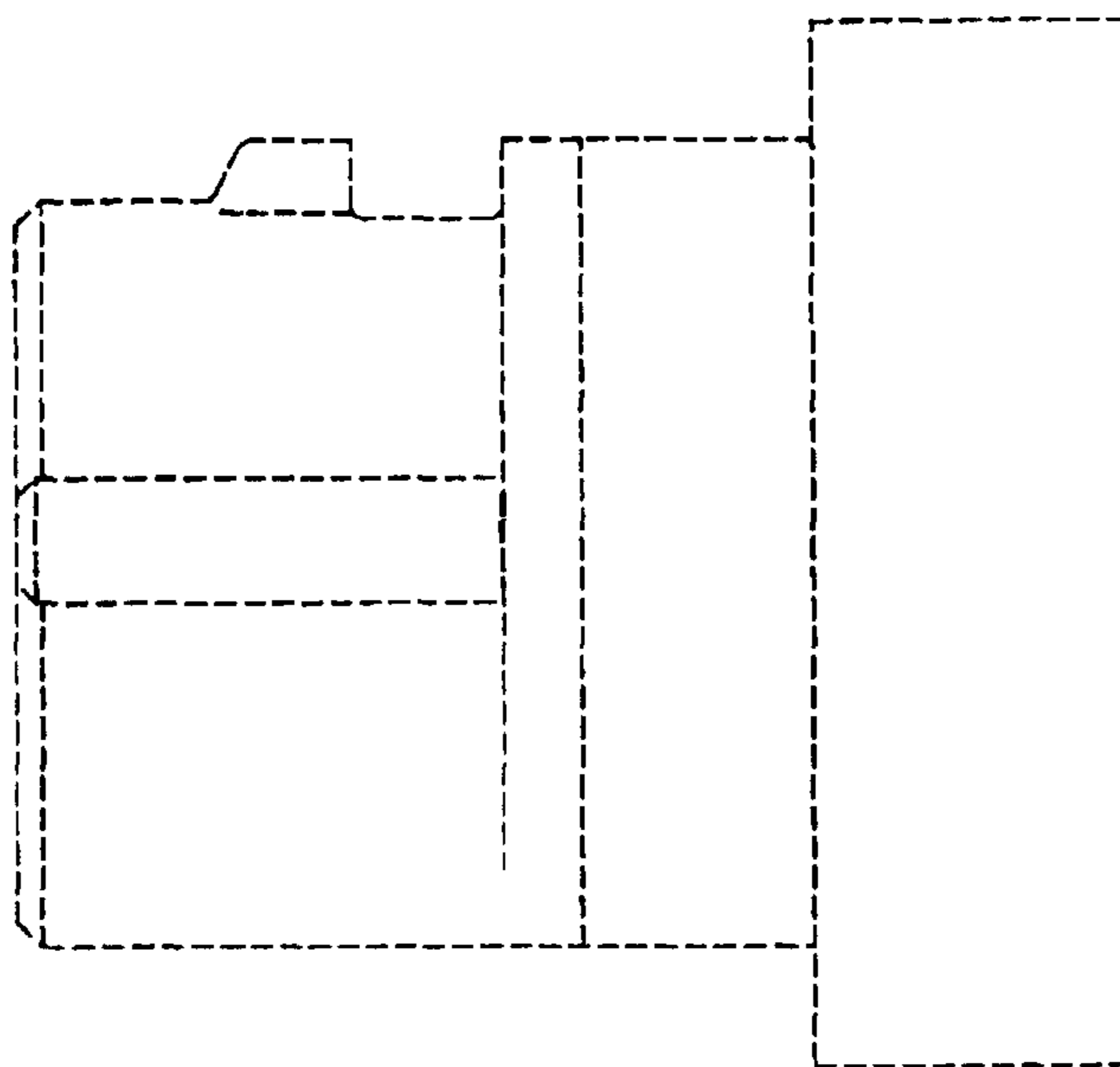


Figure 7

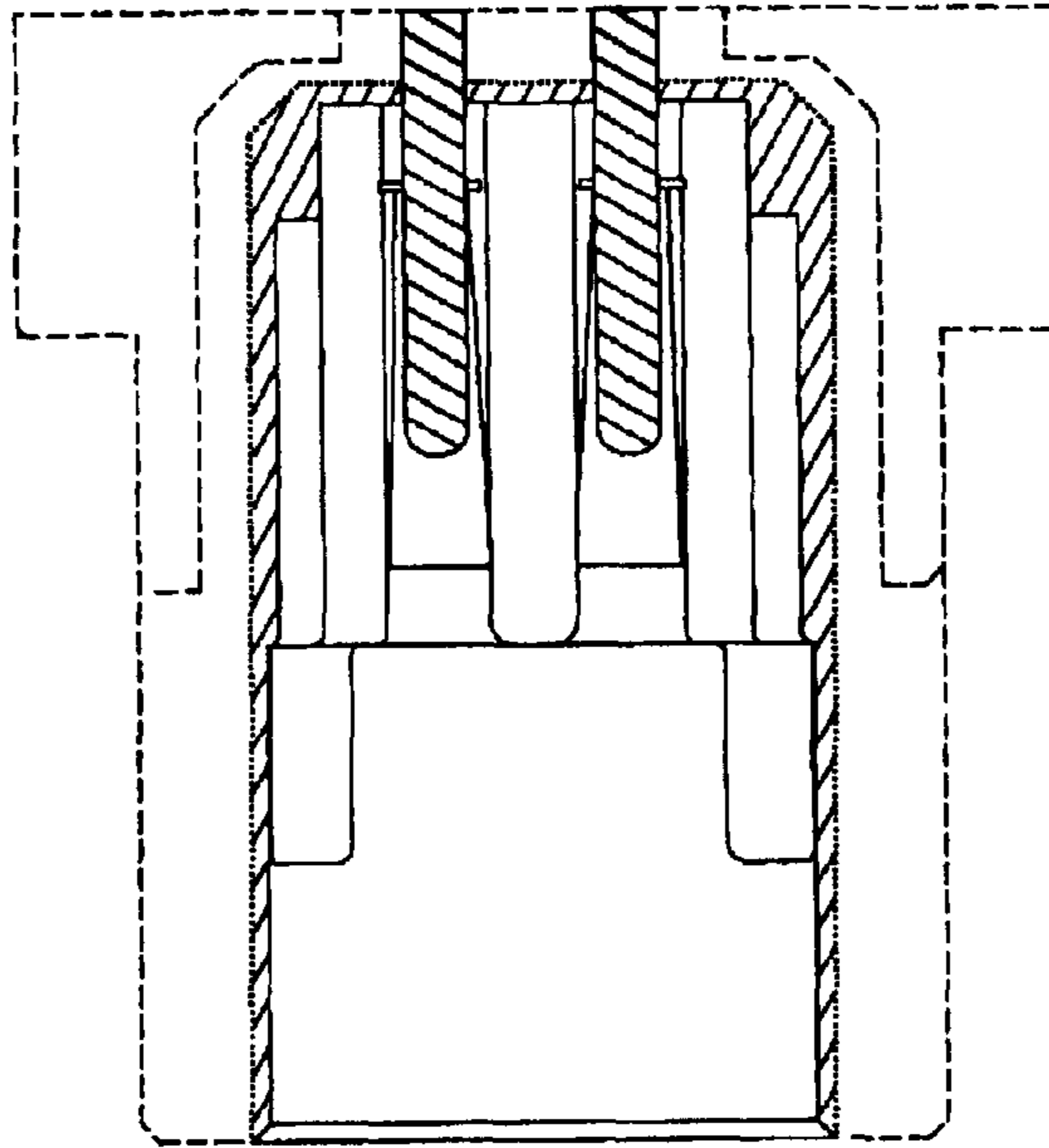


Figure 8

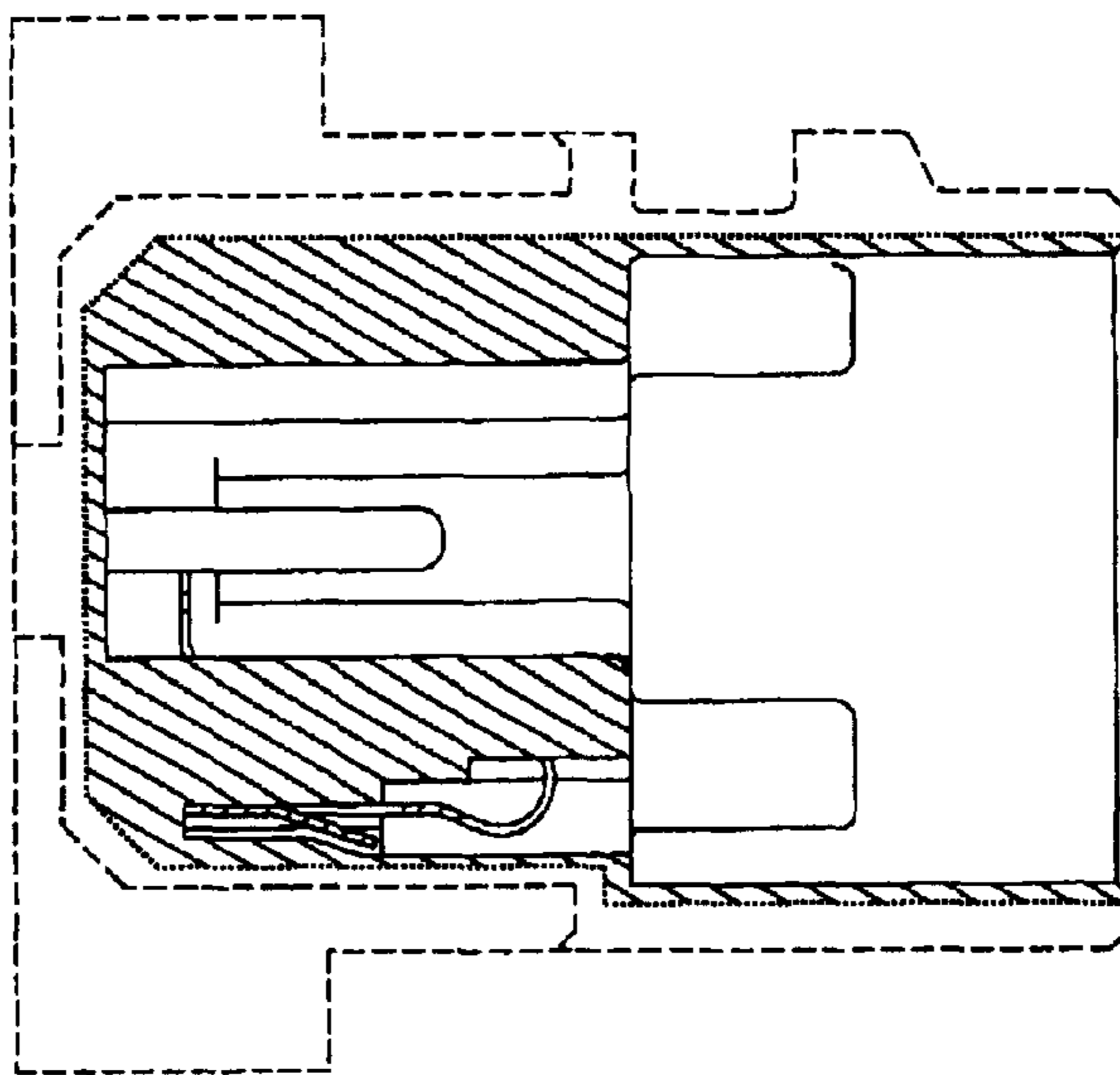


Figure 9

