

US00D544448S

(12) **United States Design Patent**
Hull et al.

(10) **Patent No.:** **US D544,448 S**
(45) **Date of Patent:** **** Jun. 12, 2007**

(54) **TRANSITION ADAPTER FOR ELECTRICAL CONDUIT**

(75) Inventors: **Eric G. Hull**, Madison, OH (US);
Gregory D. Turcovsky, Mentor, OH (US);
Dennis P. Revlock, Sr., Medina, OH (US)

(73) Assignee: **The Lamson & Sessions Co.**,
Cleveland, OH (US)

(**) Term: **14 Years**

(21) Appl. No.: **29/261,080**

(22) Filed: **Jun. 7, 2006**

Related U.S. Application Data

(63) Continuation of application No. 10/903,196, filed on Jul. 30, 2004.

(51) **LOC (8) Cl.** **13-03**

(52) **U.S. Cl.** **D13/151**

(58) **Field of Classification Search** D13/133-134,
D13/151-156, 184, 199; D8/349, 354, 382;
D23/259-262; 285/56, 61, 141.1, 175, 179,
285/207; 439/207

See application file for complete search history.

(56) **References Cited**

U.S. PATENT DOCUMENTS

- D52,953 S * 2/1919 Hubbard et al. D13/155
- D52,954 S * 2/1919 Hubbard et al. D13/155
- D152,275 S * 1/1949 Ludwig D13/146
- 2,788,385 A * 4/1957 Doering et al. 174/92
- 4,822,078 A 4/1989 Snelling 285/110
- 4,919,462 A 4/1990 Matsui et al. 285/175
- D332,481 S 1/1993 Petty et al. D23/262

- D397,413 S * 8/1998 Sapp D23/262
- 5,951,062 A 9/1999 Miller 285/189
- 6,123,366 A 9/2000 Kiriakopolos et al. 285/61
- 6,386,888 B1 * 5/2002 Skopic et al. 439/63
- D478,872 S * 8/2003 Heggem D13/152
- D484,097 S * 12/2003 Drane et al. D13/139.4
- D515,521 S * 2/2006 Stewart et al. D13/184

OTHER PUBLICATIONS

Thomas & Betts, Red-Dot Zinc Concrete Slab Inserts, Elbows and Plugs, H9-H10, 2003 (2 pp.).
O-Z/Gedney, Rigid Conduit Fittings, Concrete Slab Electroform Inserts, Nov. 2005 (1 pg.).
Undated Kwikon Product Catalog, ENT Form Stubbies (1 pg.).

* cited by examiner

Primary Examiner—Daniel Bui

(74) *Attorney, Agent, or Firm*—Jones Day

(57) **CLAIM**

The ornamental design for a transition adapter for electrical conduit, as shown and described.

DESCRIPTION

FIG. 1 is a top perspective view of a transition adapter for electrical conduit, showing our new design;
FIG. 2 is a bottom perspective view thereof;
FIG. 3 is another top perspective thereof;
FIG. 4 is a top plan view thereof;
FIG. 5 is a bottom plan view thereof;
FIG. 6 is a side elevation view thereof, the opposite side being a mirror image thereto; and,
FIG. 7 is a side elevation view thereof, taken 90 degree from the view of FIG. 6, the opposite side being a mirror image thereto.

1 Claim, 2 Drawing Sheets

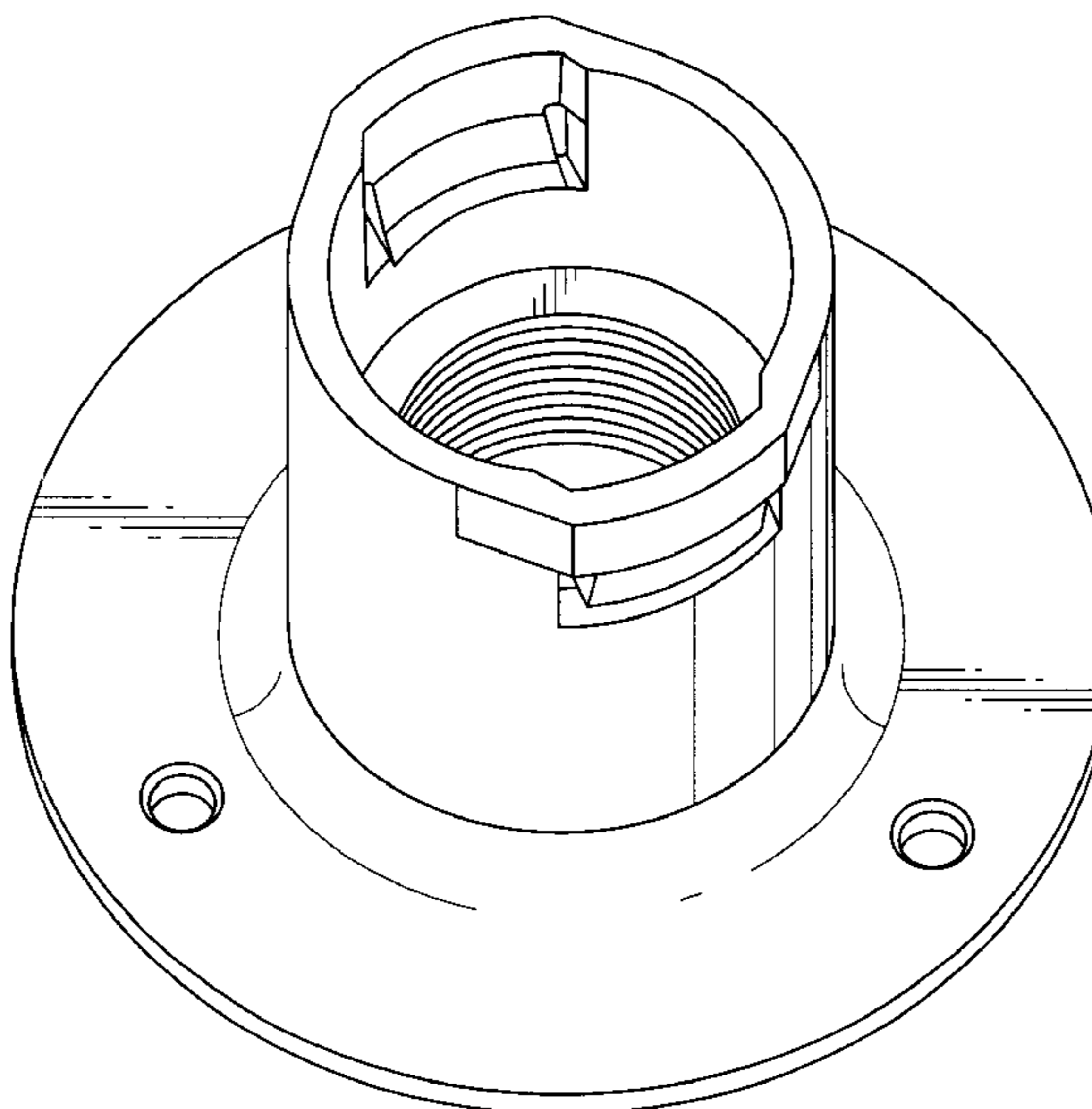


FIG. 1

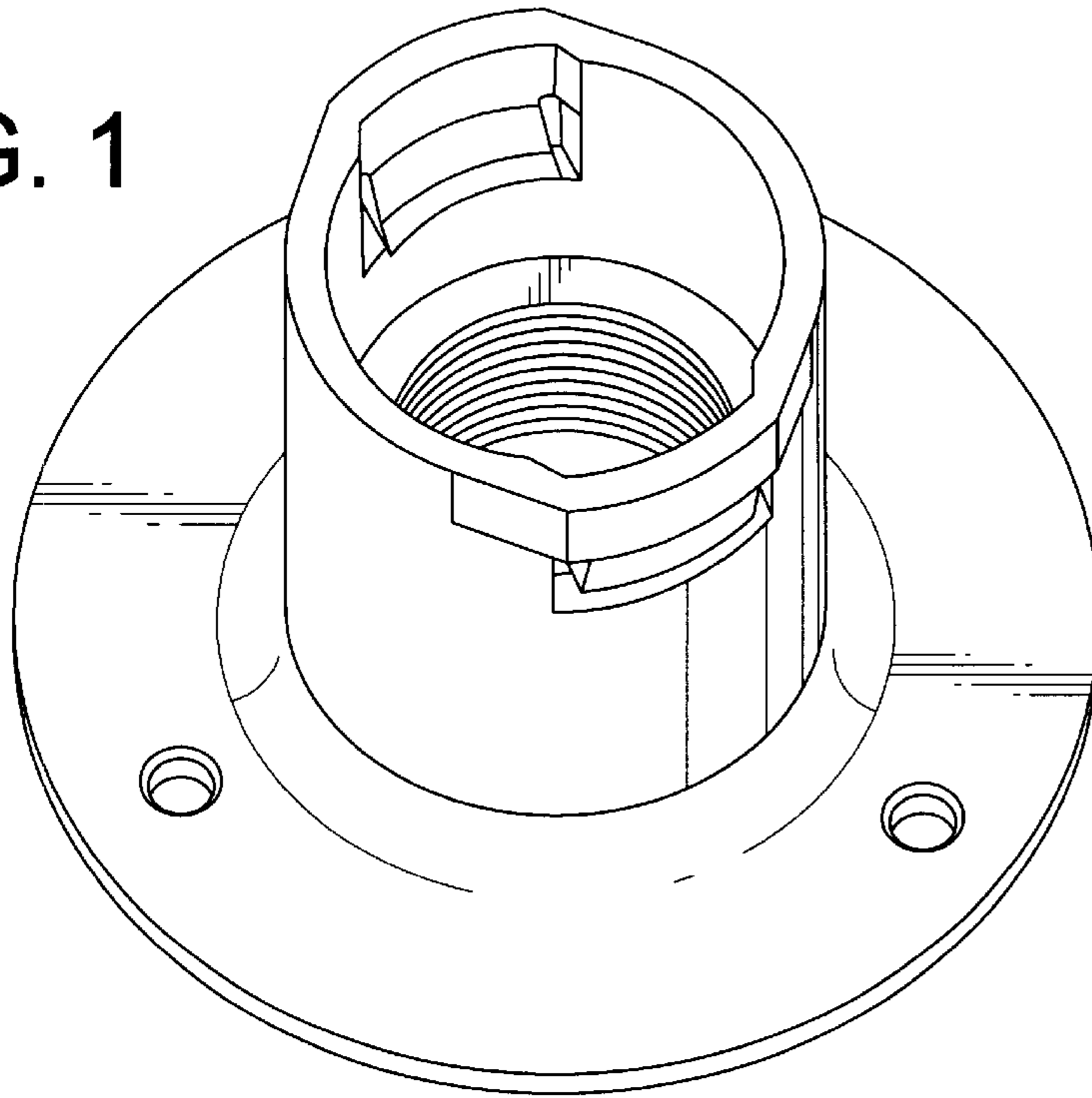


FIG. 2

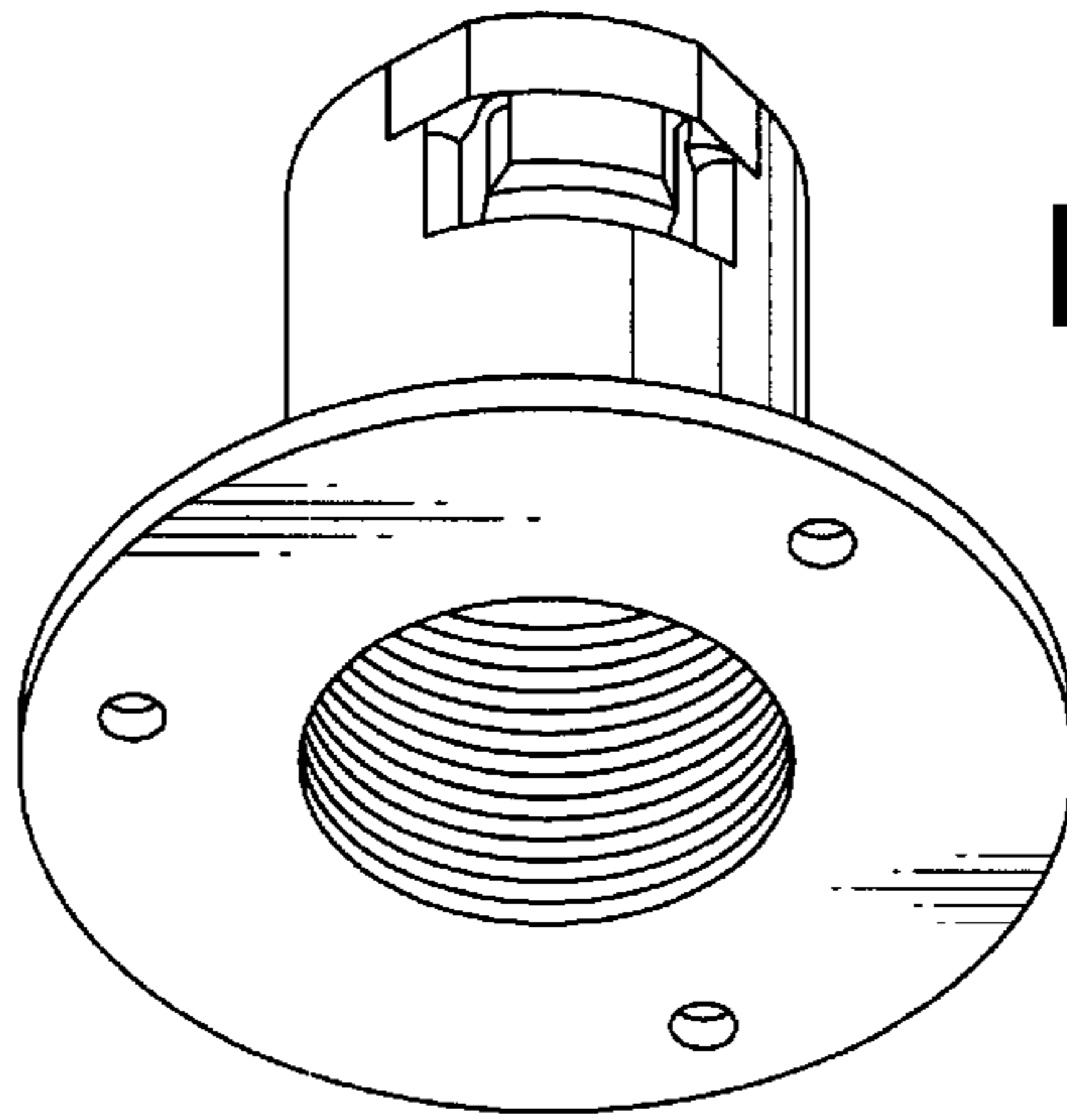
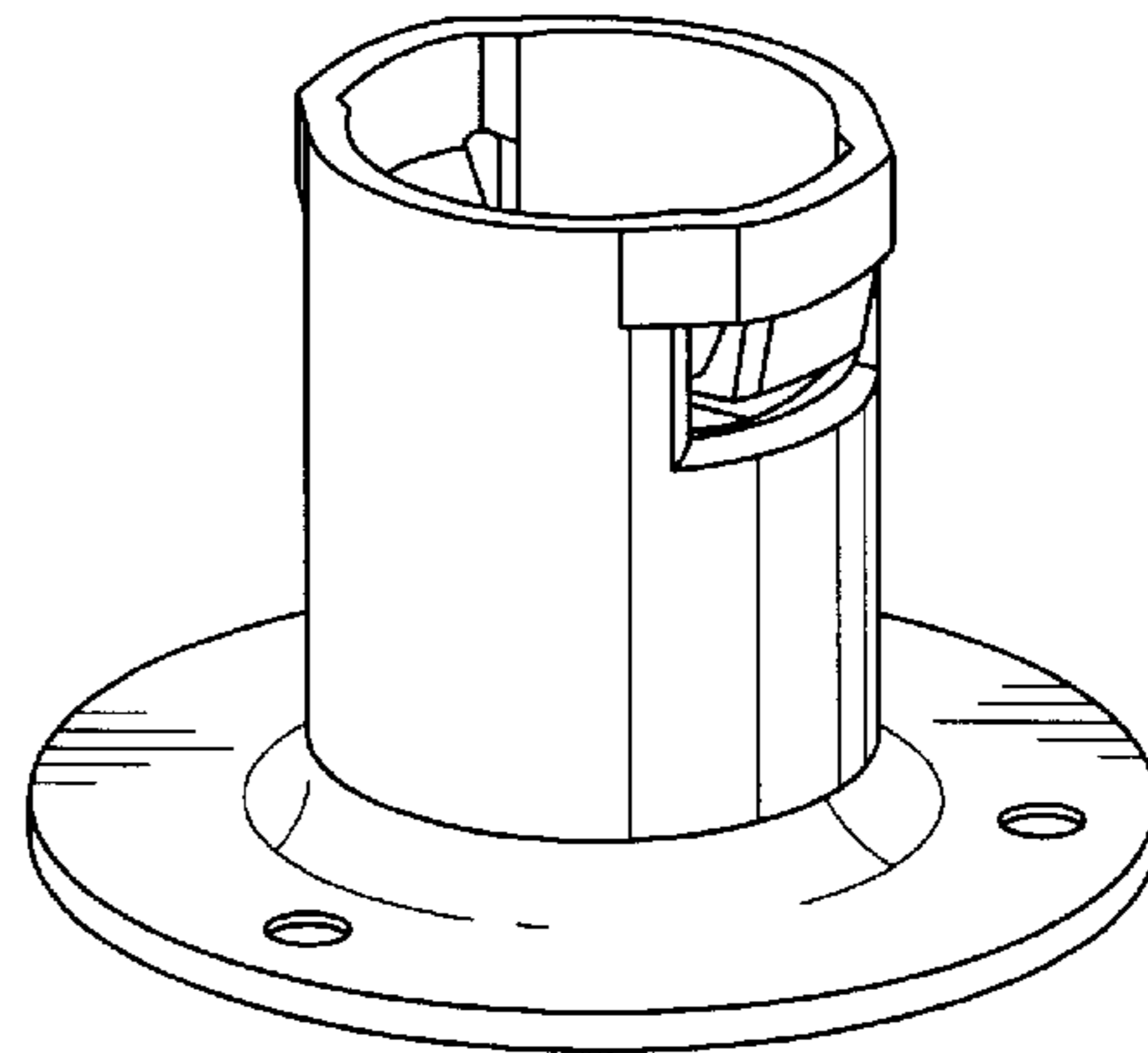


FIG. 3



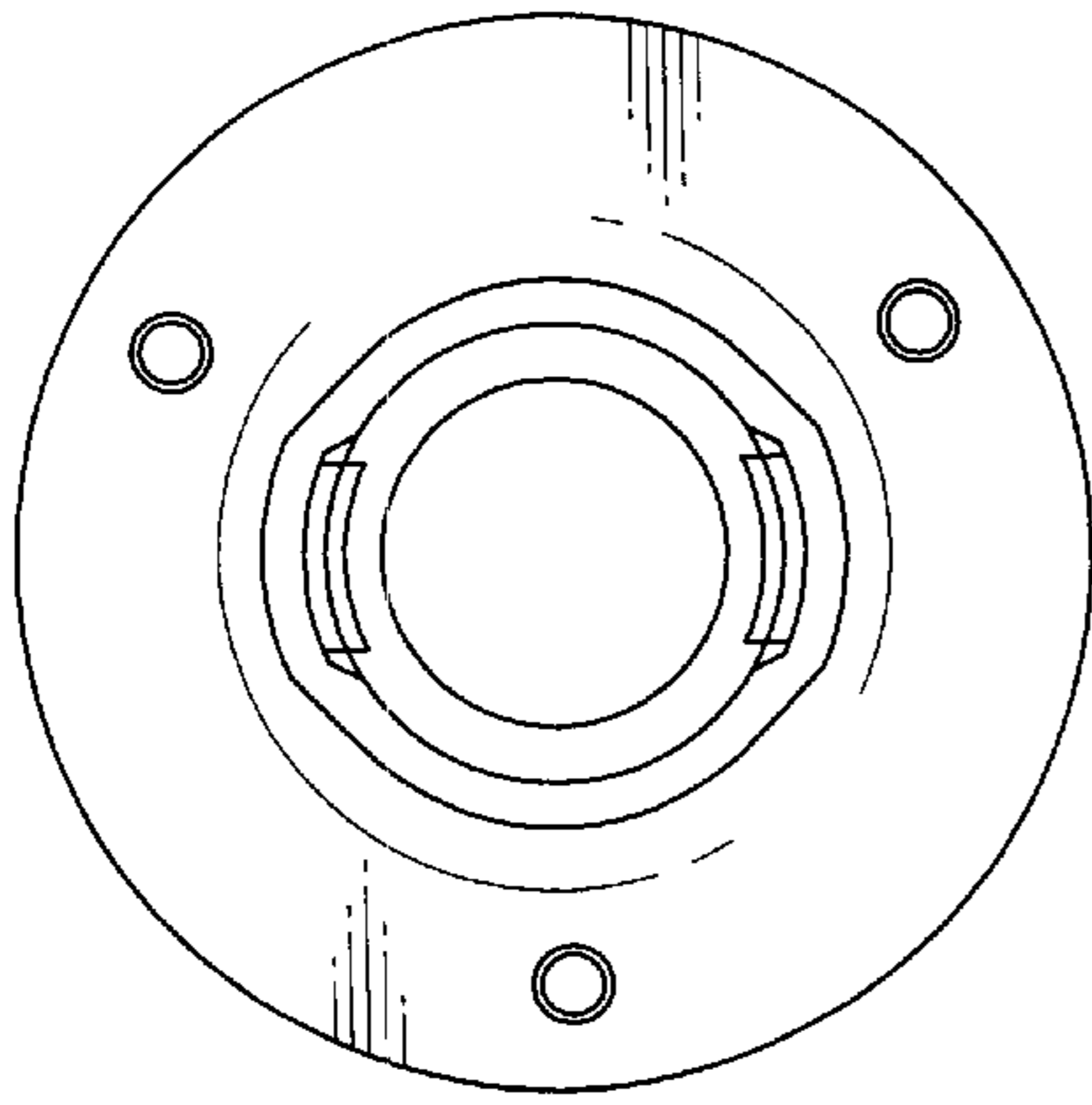


FIG. 4

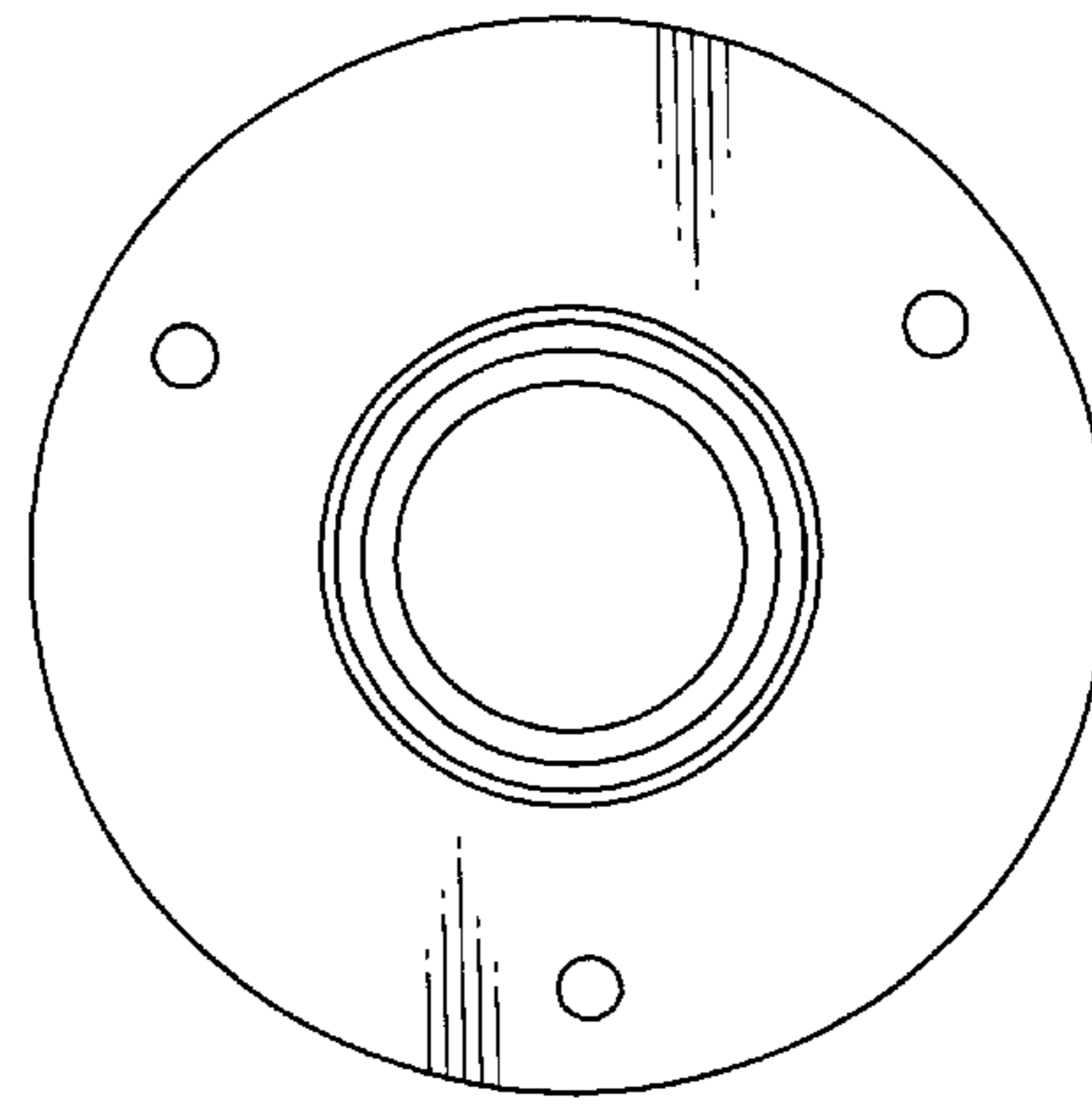


FIG. 5

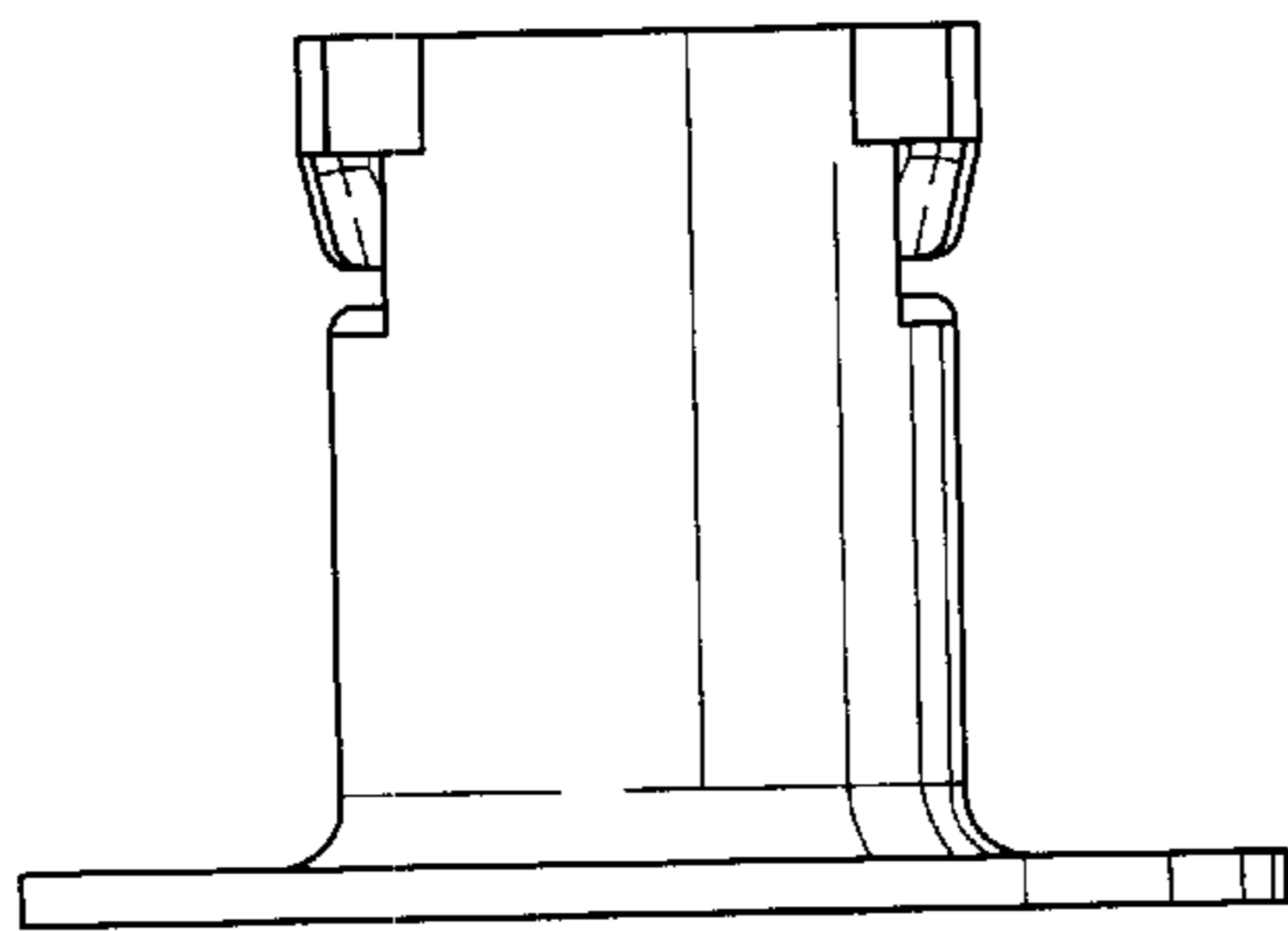


FIG. 6

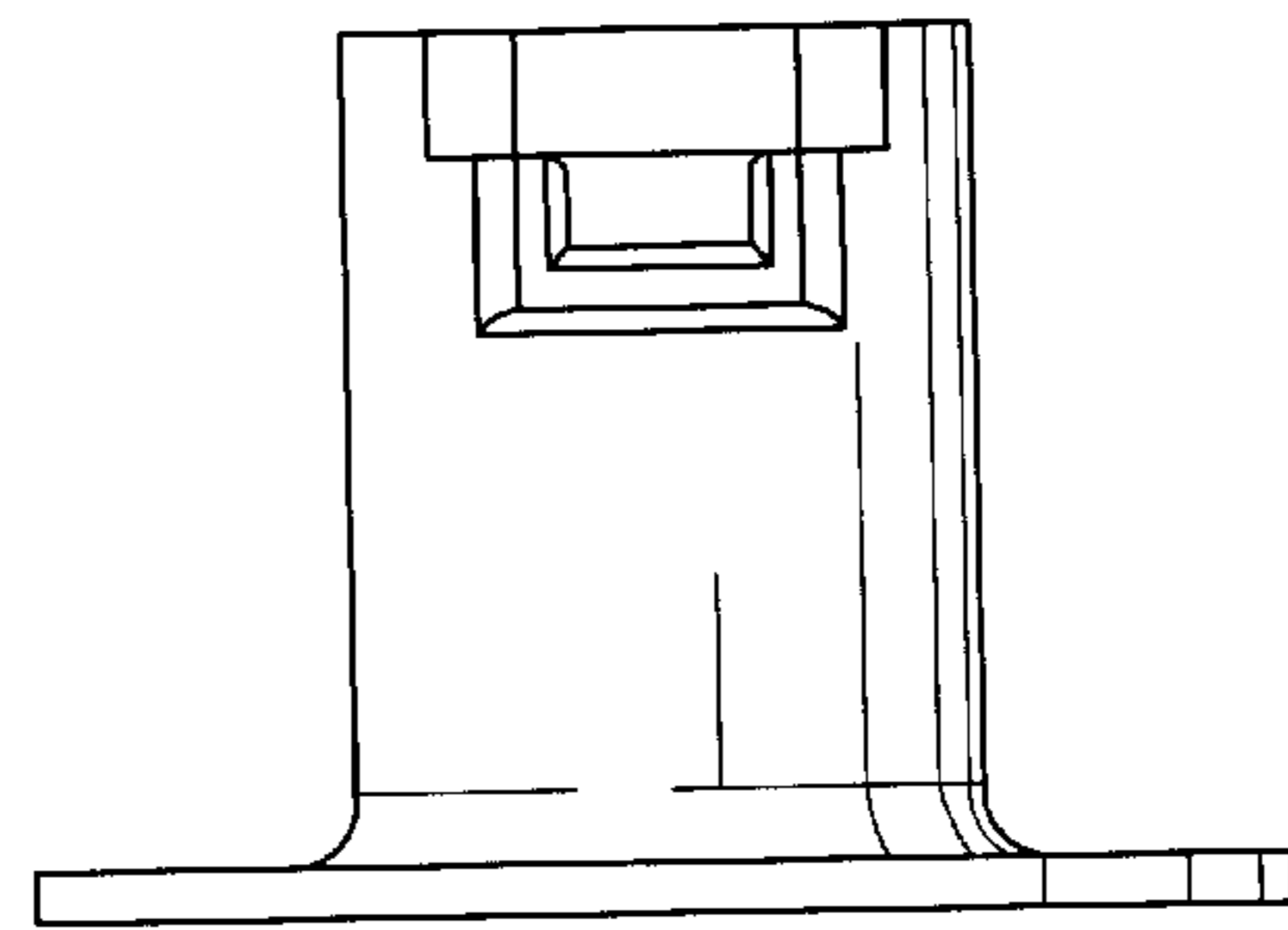


FIG. 7