



US00D544447S

(12) **United States Design Patent**
Peng et al.

(10) **Patent No.:** **US D544,447 S**

(45) **Date of Patent:** **** Jun. 12, 2007**

(54) **BOARD TO BOARD CONNECTOR**

(75) Inventors: **Yung-chi Peng**, Tu-Cheng (TW);
Shin-da Chen, Tu-Cheng (TW)

(73) Assignee: **Cheng Uei Precision Industry Co., Ltd.**, Taipei Hsien (TW)

(**) Term: **14 Years**

(21) Appl. No.: **29/266,616**

(22) Filed: **Sep. 26, 2006**

(51) **LOC (8) Cl.** **13-03**

(52) **U.S. Cl.** **D13/147**

(58) **Field of Classification Search** D13/133,
D13/146-147, 149, 154, 184; D14/432-436,
D14/438; 439/64, 79, 72-74, 159-160, 326,
439/492, 495, 607-610, 631, 862
See application file for complete search history.

(56) **References Cited**

U.S. PATENT DOCUMENTS

- D453,734 S * 2/2002 Shimoyama et al. D13/147
- D455,125 S * 4/2002 Shimoyama et al. D13/147
- D502,921 S * 3/2005 Zhang et al. D13/147
- 7,070,423 B2 * 7/2006 Zhang et al. 439/74
- 7,074,085 B2 * 7/2006 Chen 439/607

- 7,090,508 B1 * 8/2006 Chen 439/74
- D528,987 S * 9/2006 Peng D13/147
- 7,128,581 B2 * 10/2006 Igarashi et al. 439/74
- 2006/0178022 A1 * 8/2006 Liu 439/74
- 2006/0264074 A1 * 11/2006 Chang et al. 439/74

* cited by examiner

Primary Examiner—Daniel Bui

(74) *Attorney, Agent, or Firm*—Rosenberg, Klein & Lee

(57) **CLAIM**

The ornamental design for a board to board connector, as shown and described.

DESCRIPTION

FIG. 1 is a perspective view of a board to board connector showing our new design;

FIG. 2 is a front elevational view thereof;

FIG. 3 is a rear elevational view thereof;

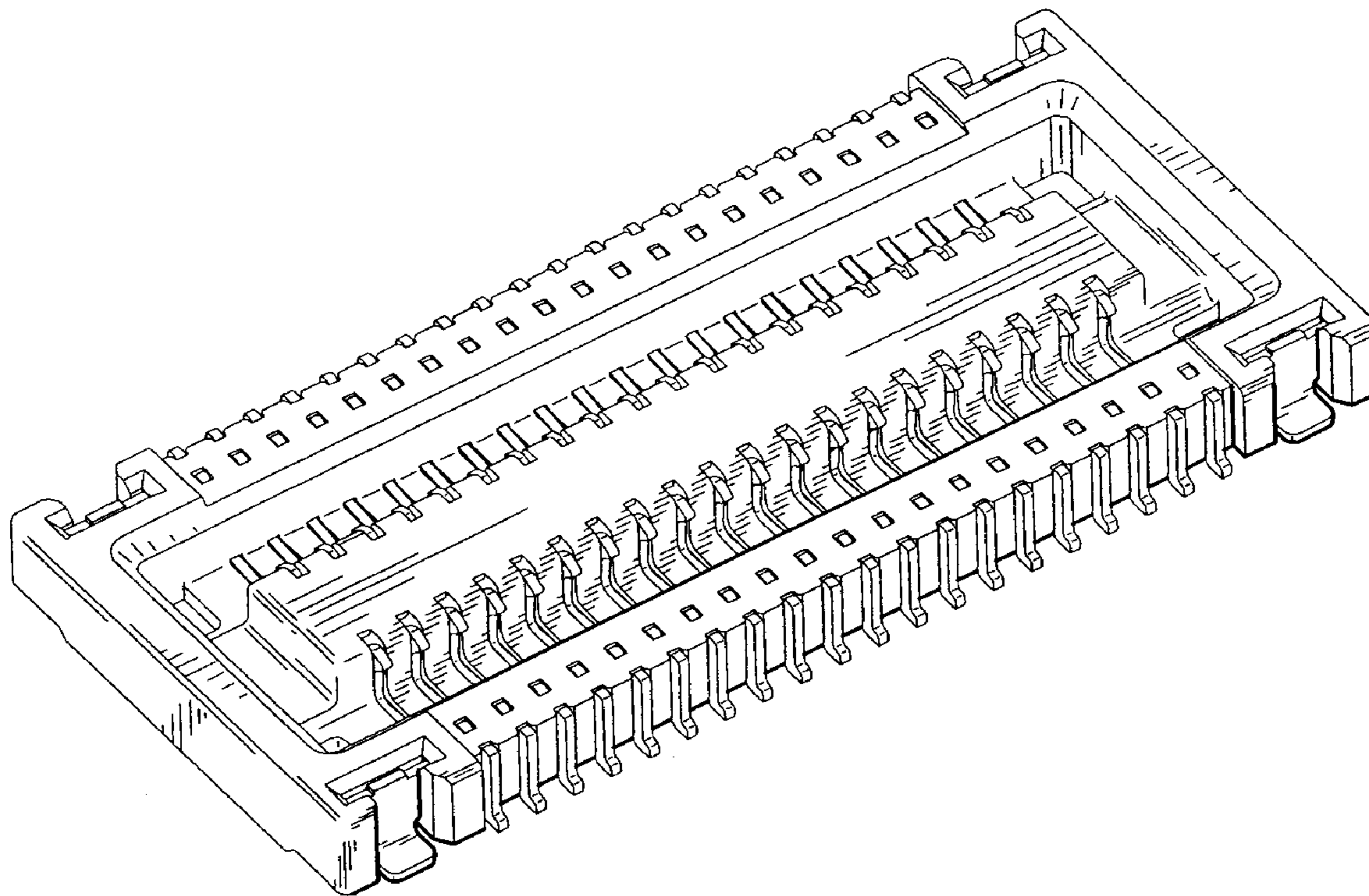
FIG. 4 is a left side elevational view thereof;

FIG. 5 is a right side elevational view thereof;

FIG. 6 is a top plan view thereof; and,

FIG. 7 is a bottom plan view thereof.

1 Claim, 7 Drawing Sheets



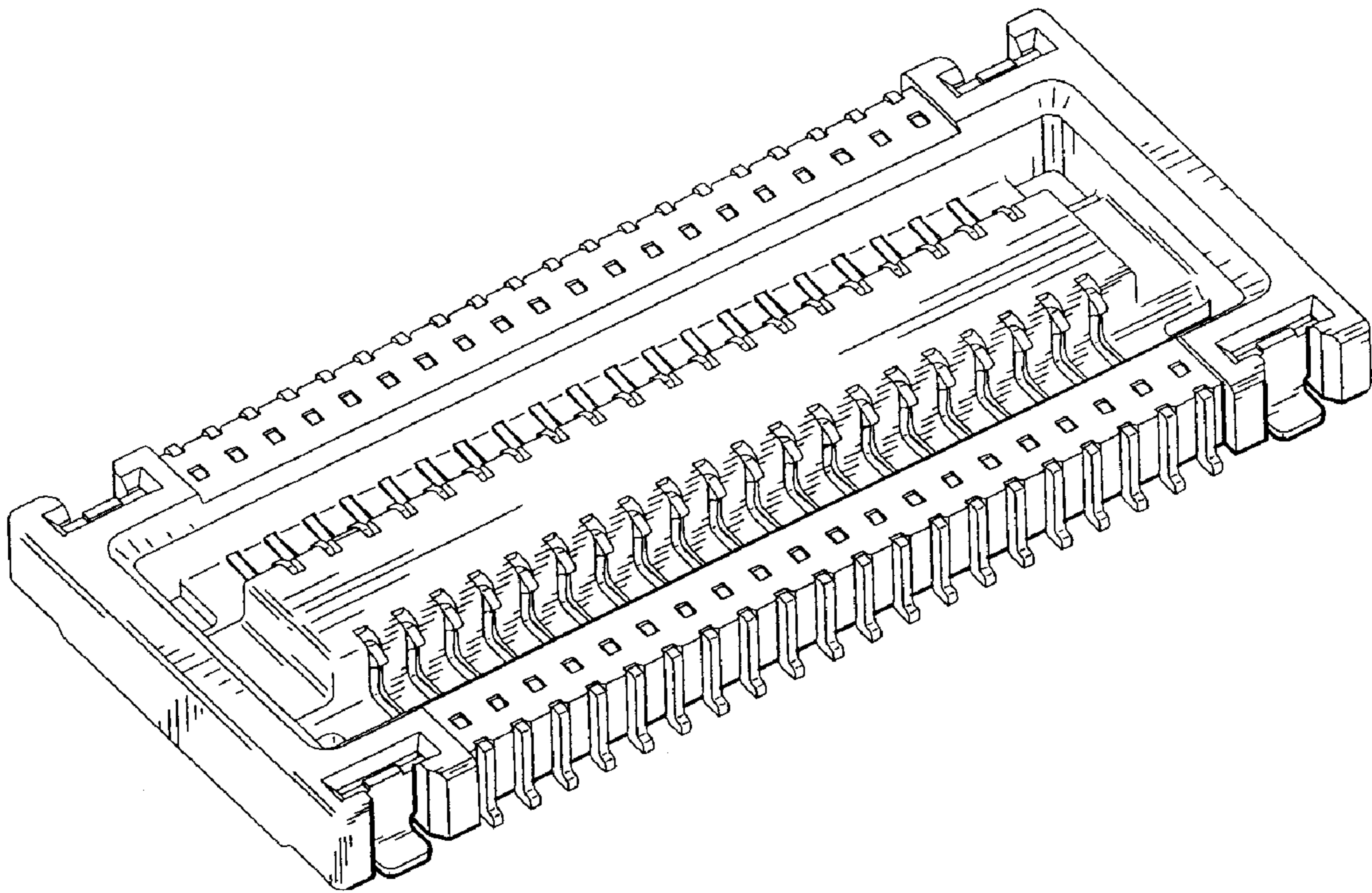


FIG. 1

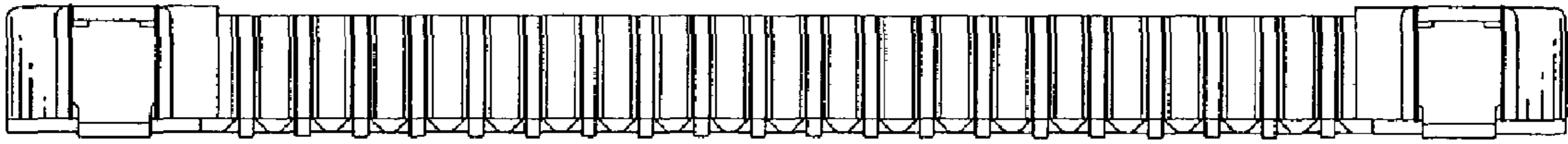


FIG. 2

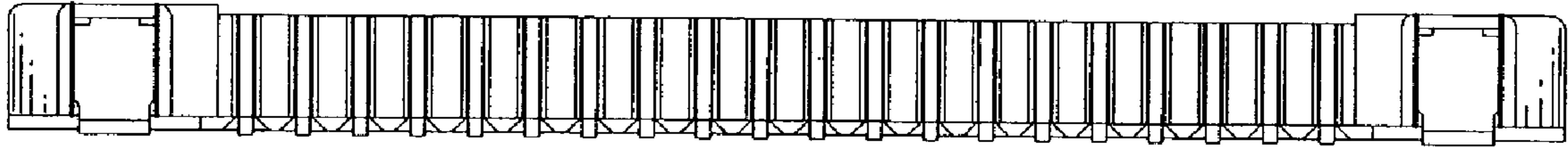


FIG. 3

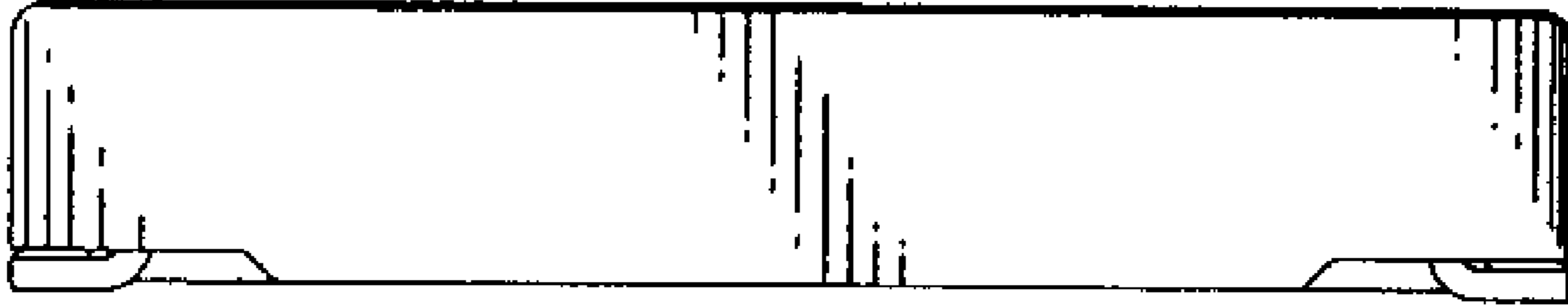


FIG. 4

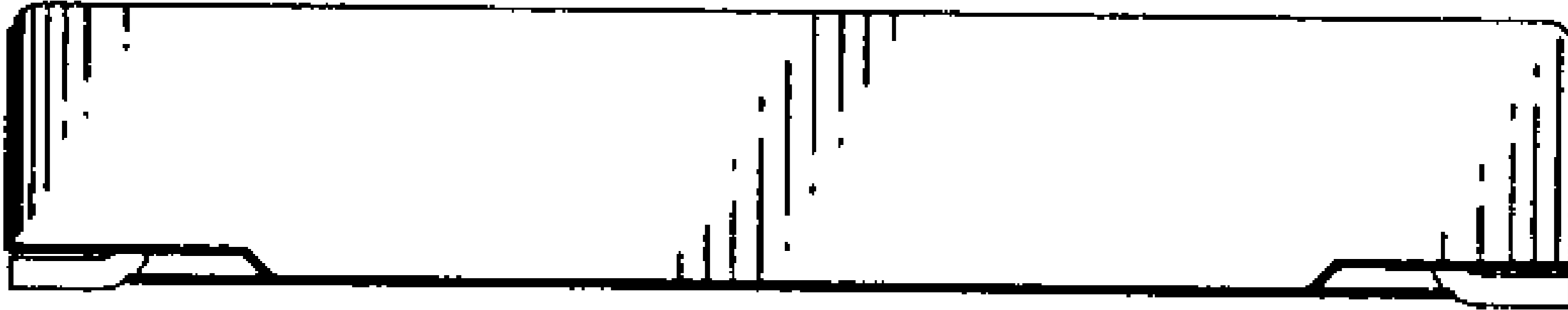


FIG. 5

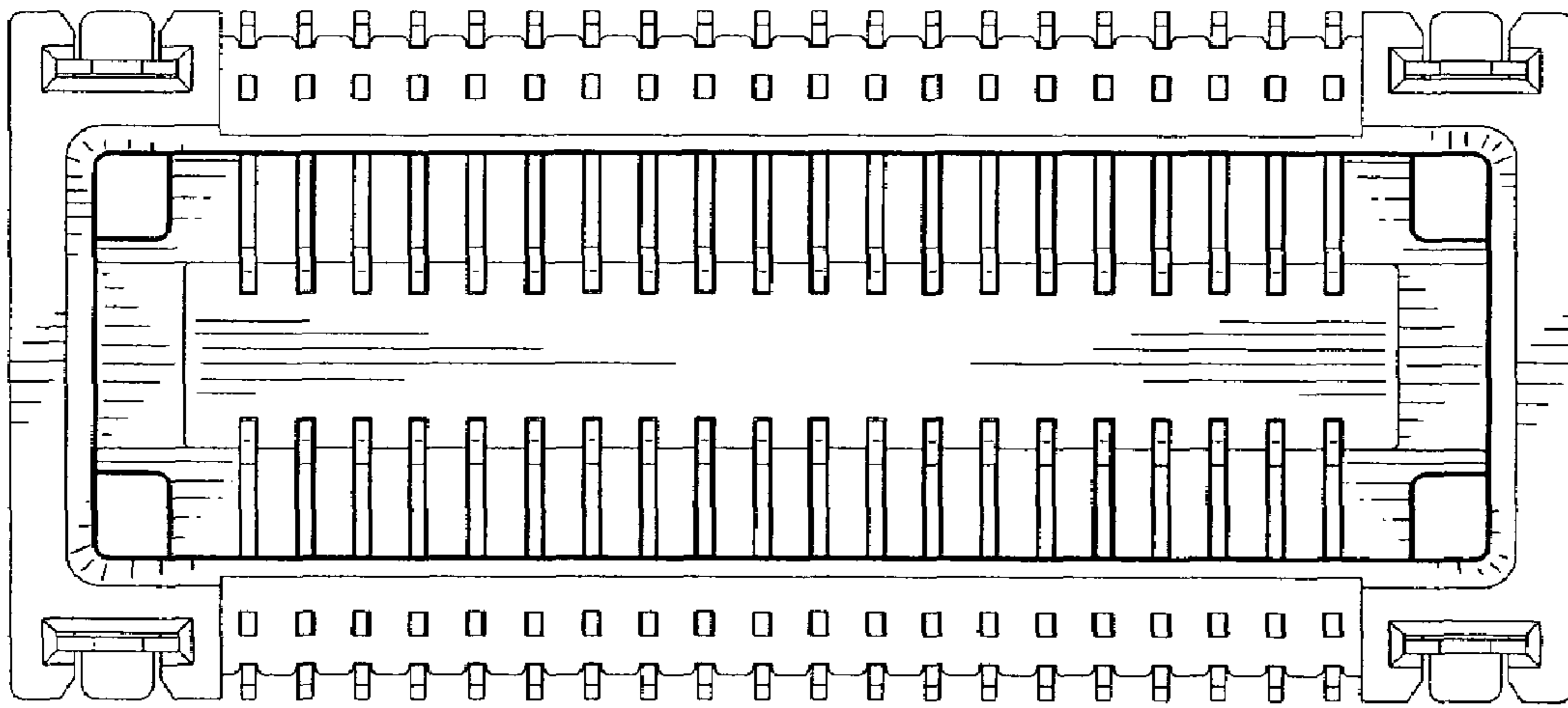


FIG. 6

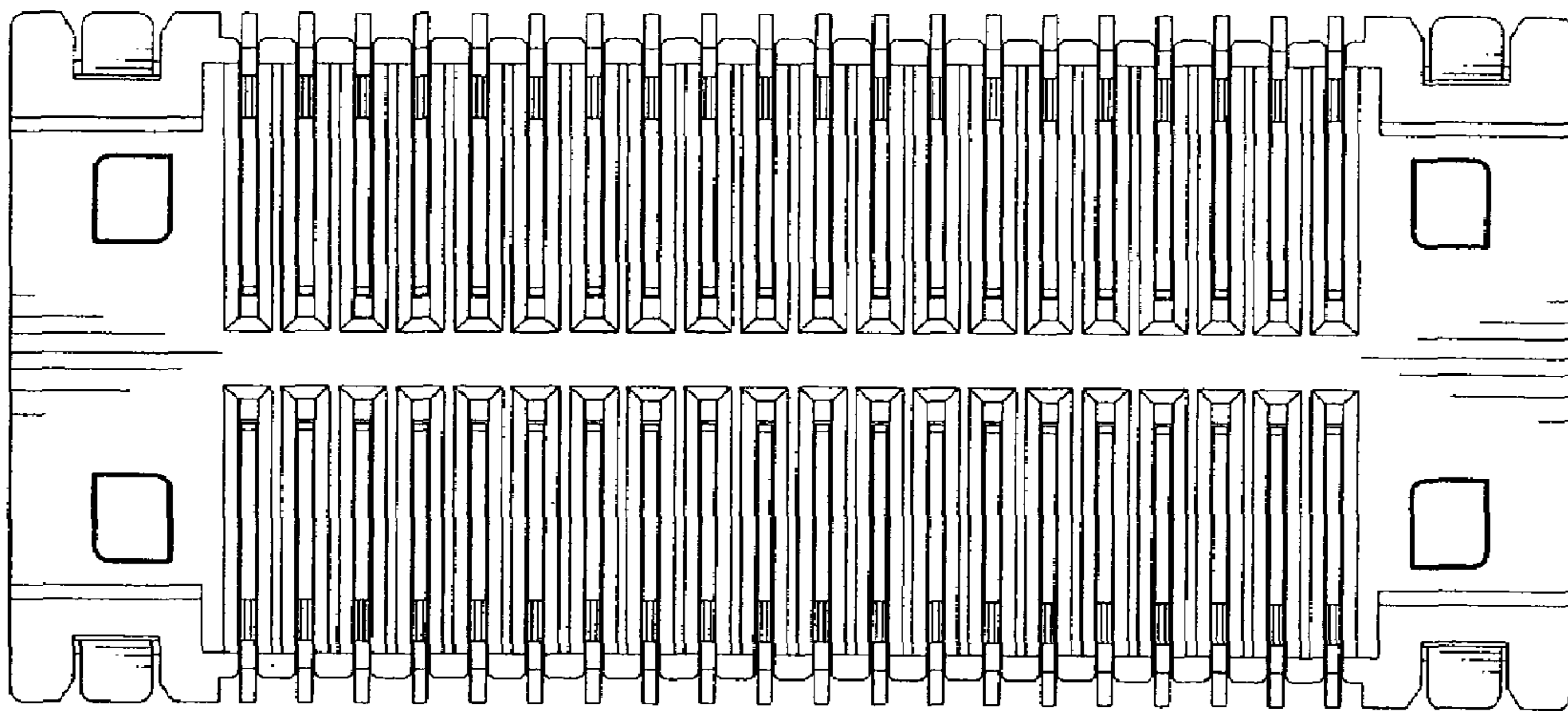


FIG. 7