



US00D544446S

(12) **United States Design Patent**
Yang et al.

(10) **Patent No.:** **US D544,446 S**
(45) **Date of Patent:** **** Jun. 12, 2007**

(54) **CABLE CONNECTOR ASSEMBLY**

D479,200 S * 9/2003 Liu et al. D13/147
D520,456 S * 5/2006 Kuo D13/147
D531,579 S * 11/2006 Peng et al. D13/147

(75) Inventors: **Zeng-An Yang**, Kunshan (CN);
Guo-Gang Bu, Kunshan (CN)

* cited by examiner

(73) Assignee: **Hon Hai Precision Ind. Co., Ltd.**,
Taipei Hsien (TW)

Primary Examiner—Daniel Bui

(74) *Attorney, Agent, or Firm*—Wei Te Chung

(**) Term: **14 Years**

(57) **CLAIM**

(21) Appl. No.: **29/265,937**

The ornamental design for a cable connector assembly, as shown.

(22) Filed: **Sep. 12, 2006**

(51) **LOC (8) Cl.** **13-03**

DESCRIPTION

(52) **U.S. Cl.** **D13/147**

(58) **Field of Classification Search** D13/123,
D13/133, 146–147, 154, 184, 199; D14/356,
D14/432, 433, 435, 438; 439/350, 352, 357–358,
439/606–610, 660, 677, 680–682, 686, 936
See application file for complete search history.

FIG. 1 is a front, top and right side perspective view of a cable connector assembly showing our new design;

FIG. 2 is a front elevational view of FIG. 1;

FIG. 3 is a rear elevational view of FIG. 1;

FIG. 4 is a left side elevational view of FIG. 1;

FIG. 5 is a right side elevational view of FIG. 1;

FIG. 6 is a top plan view of FIG. 1; and,

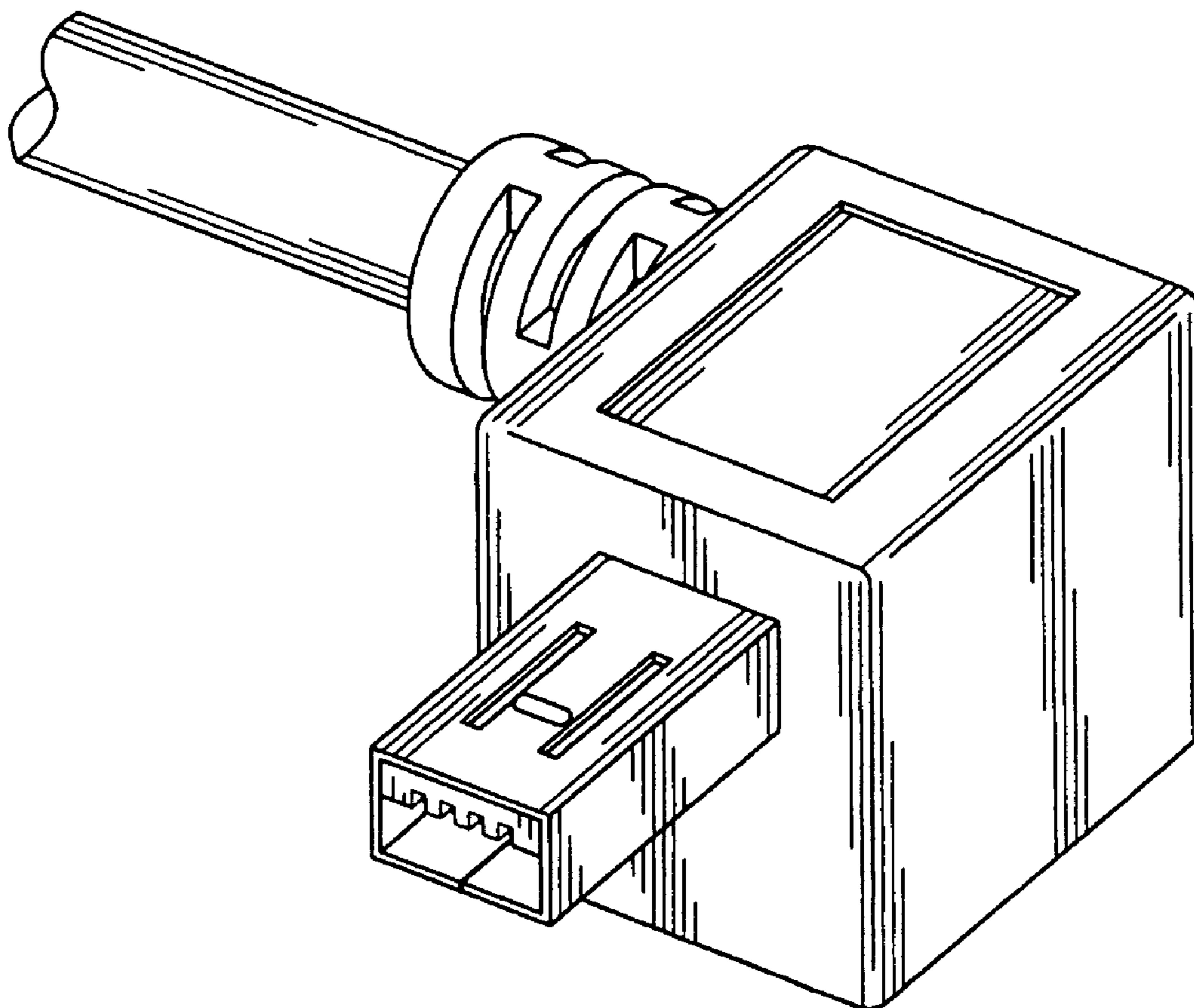
FIG. 7 is a bottom plan view of FIG. 1.

(56) **References Cited**

U.S. PATENT DOCUMENTS

D298,932 S * 12/1988 Knickerbocker et al. .. D13/147
D427,150 S * 6/2000 Kuo D13/147
D430,540 S * 9/2000 Nishio et al. D13/147

1 Claim, 7 Drawing Sheets



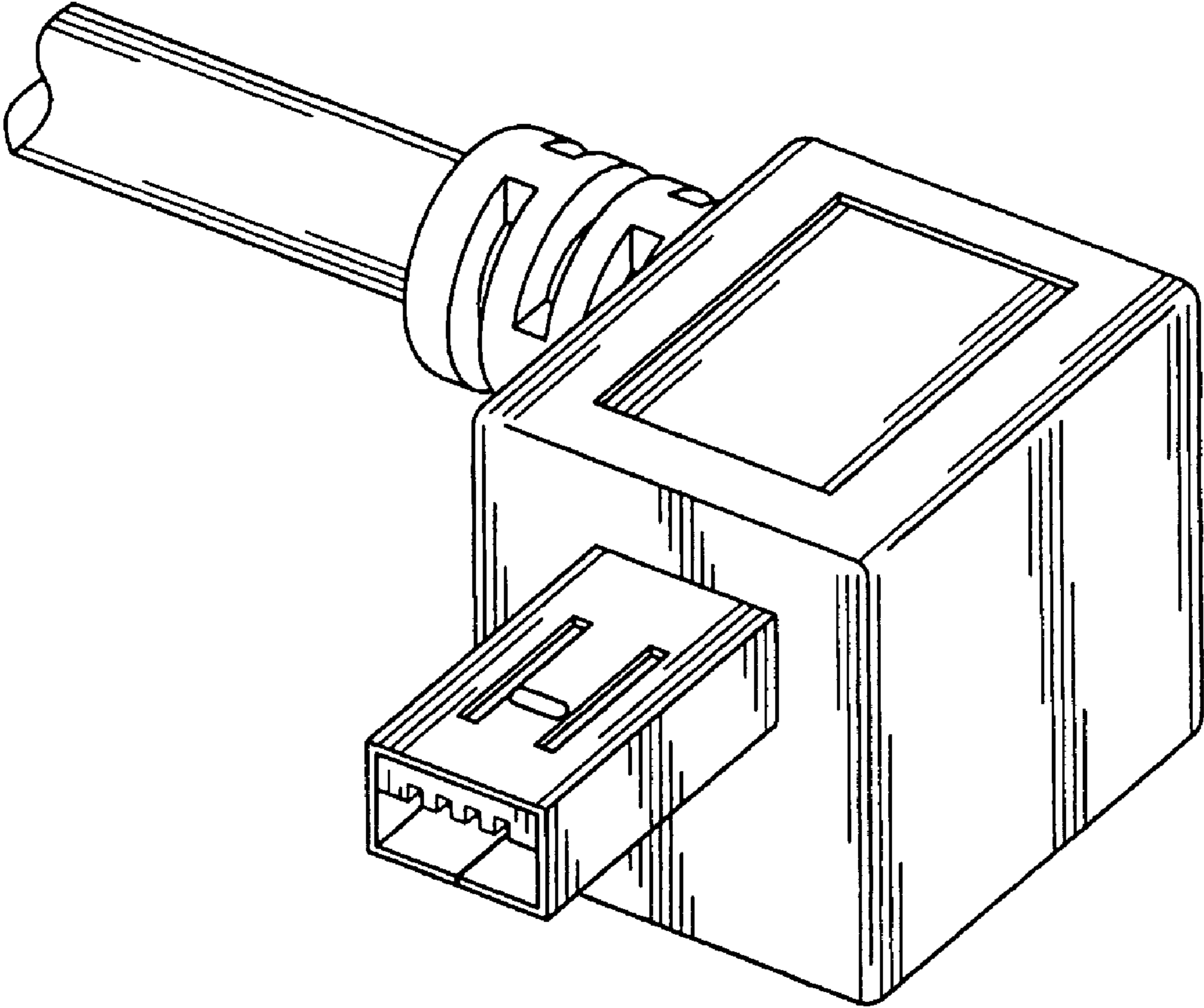


FIG. 1

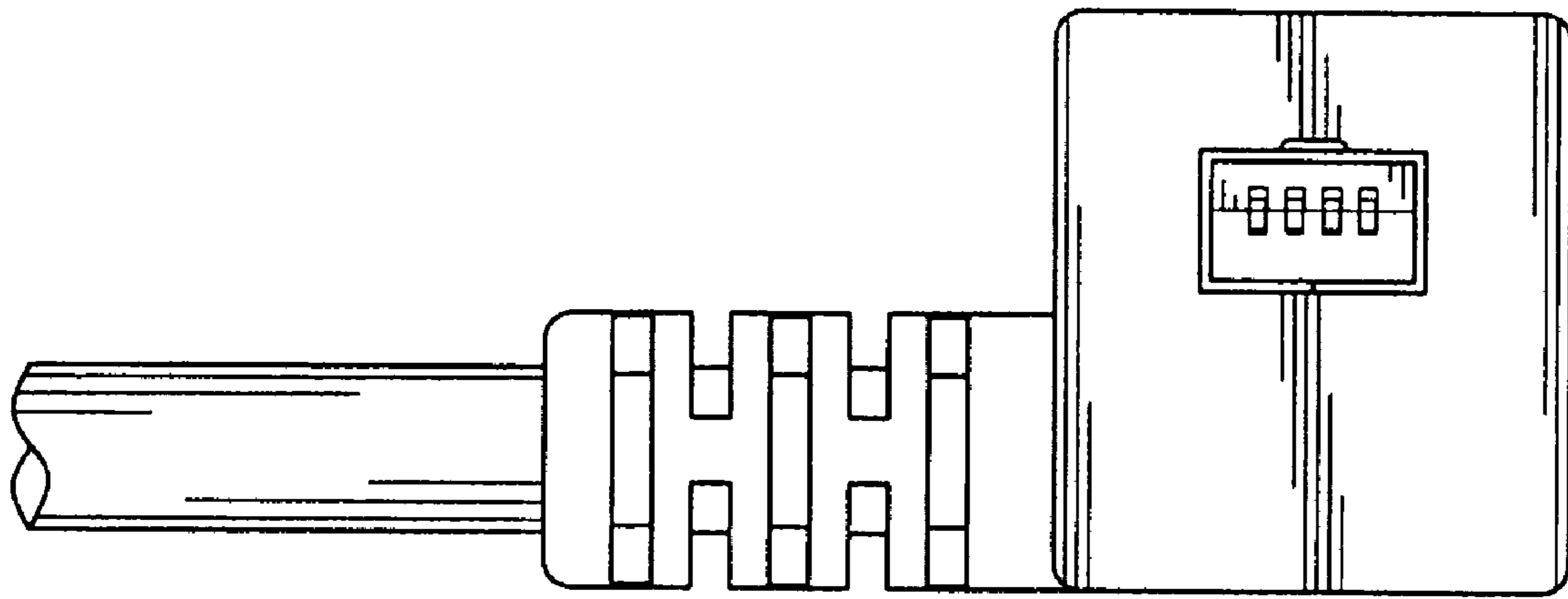


FIG. 2

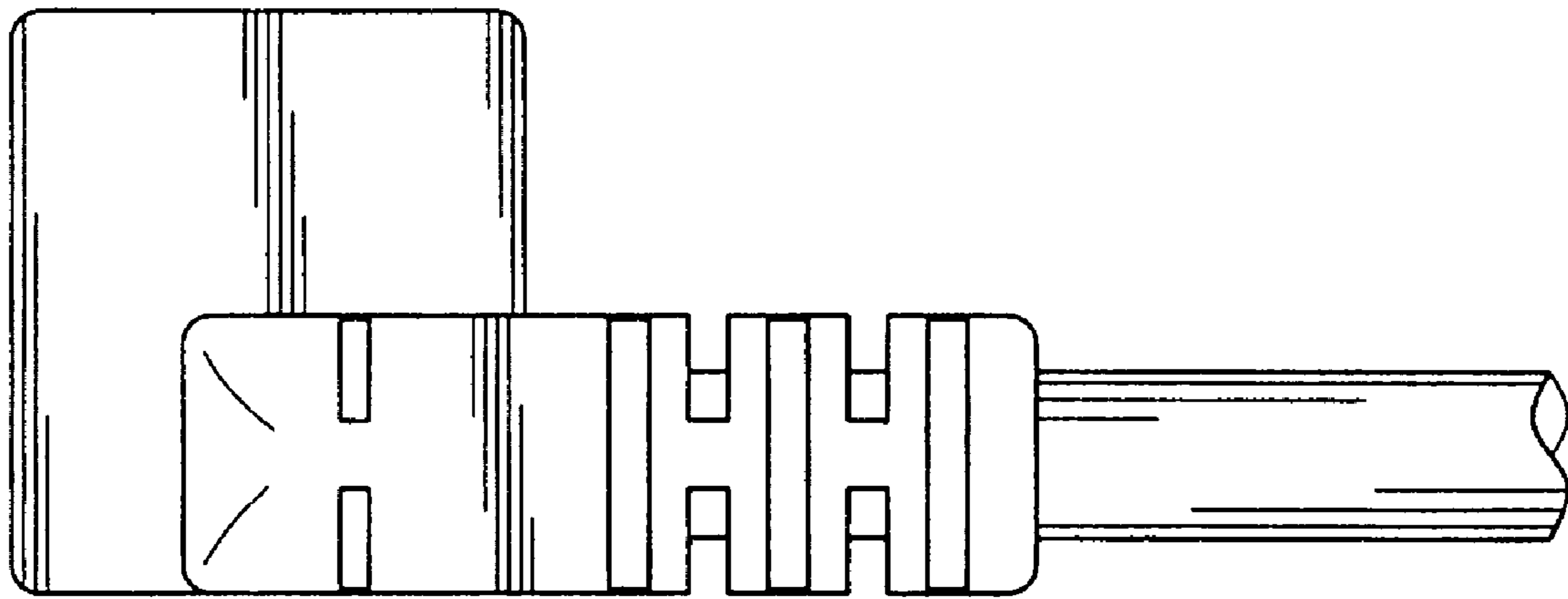


FIG. 3

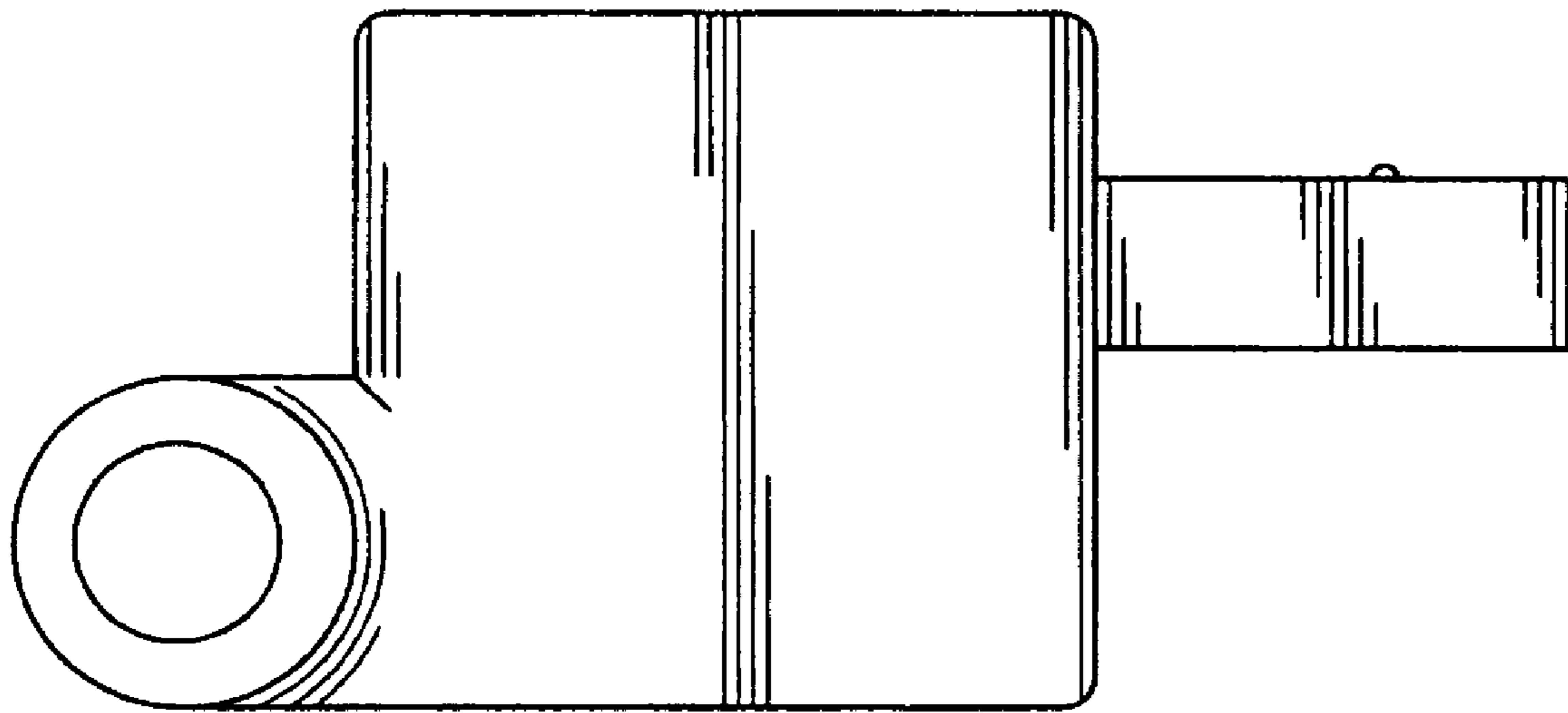


FIG. 4

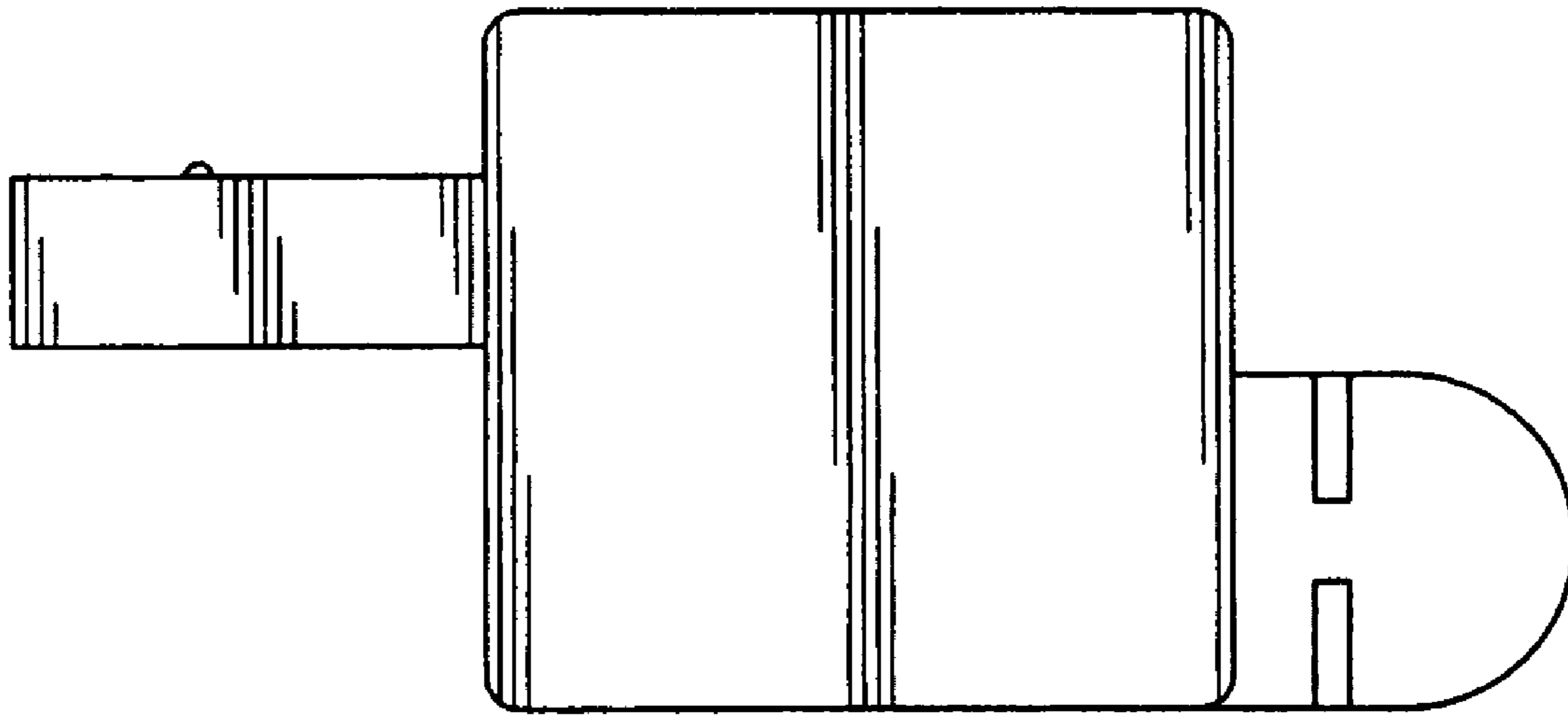


FIG. 5

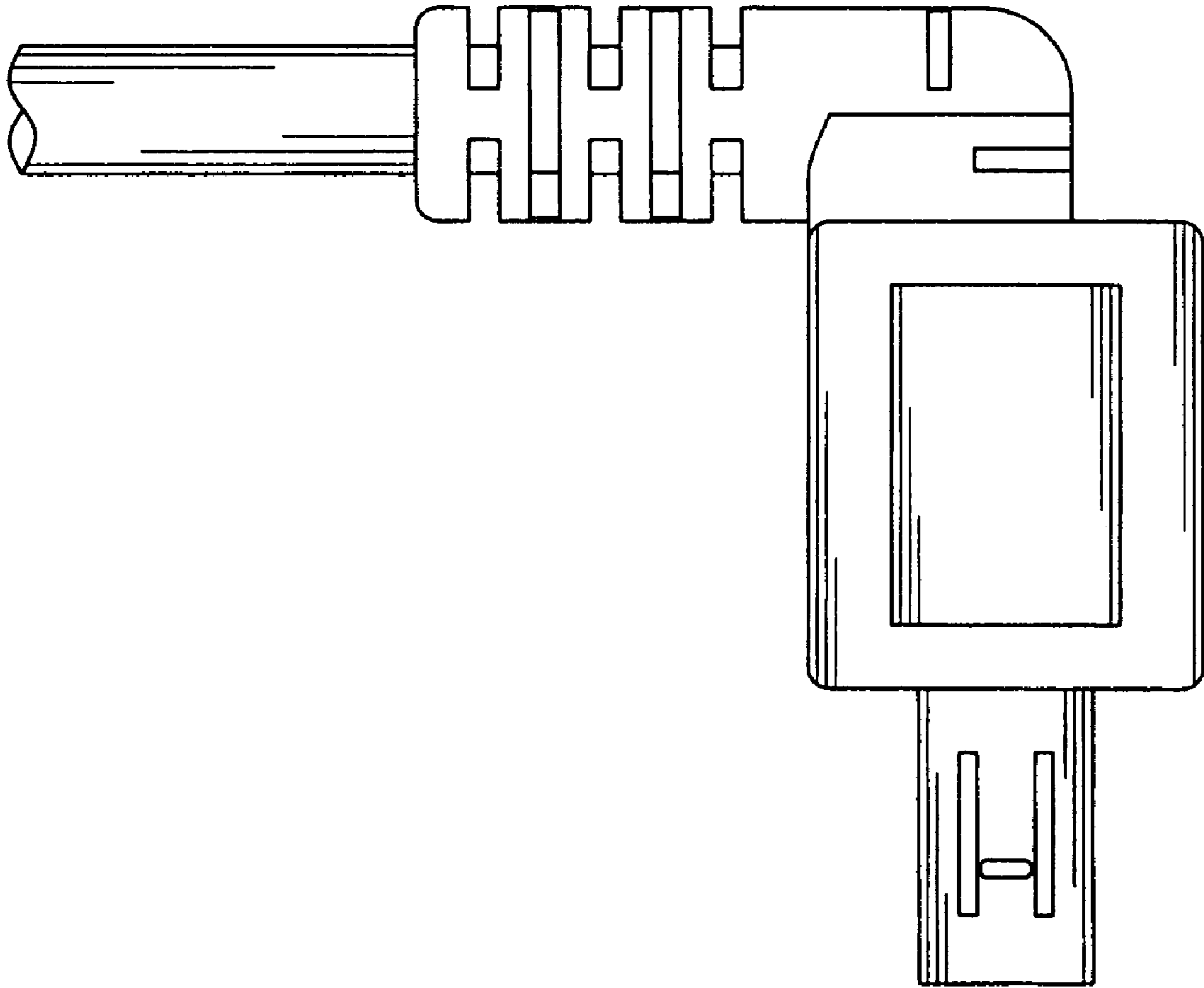


FIG. 6

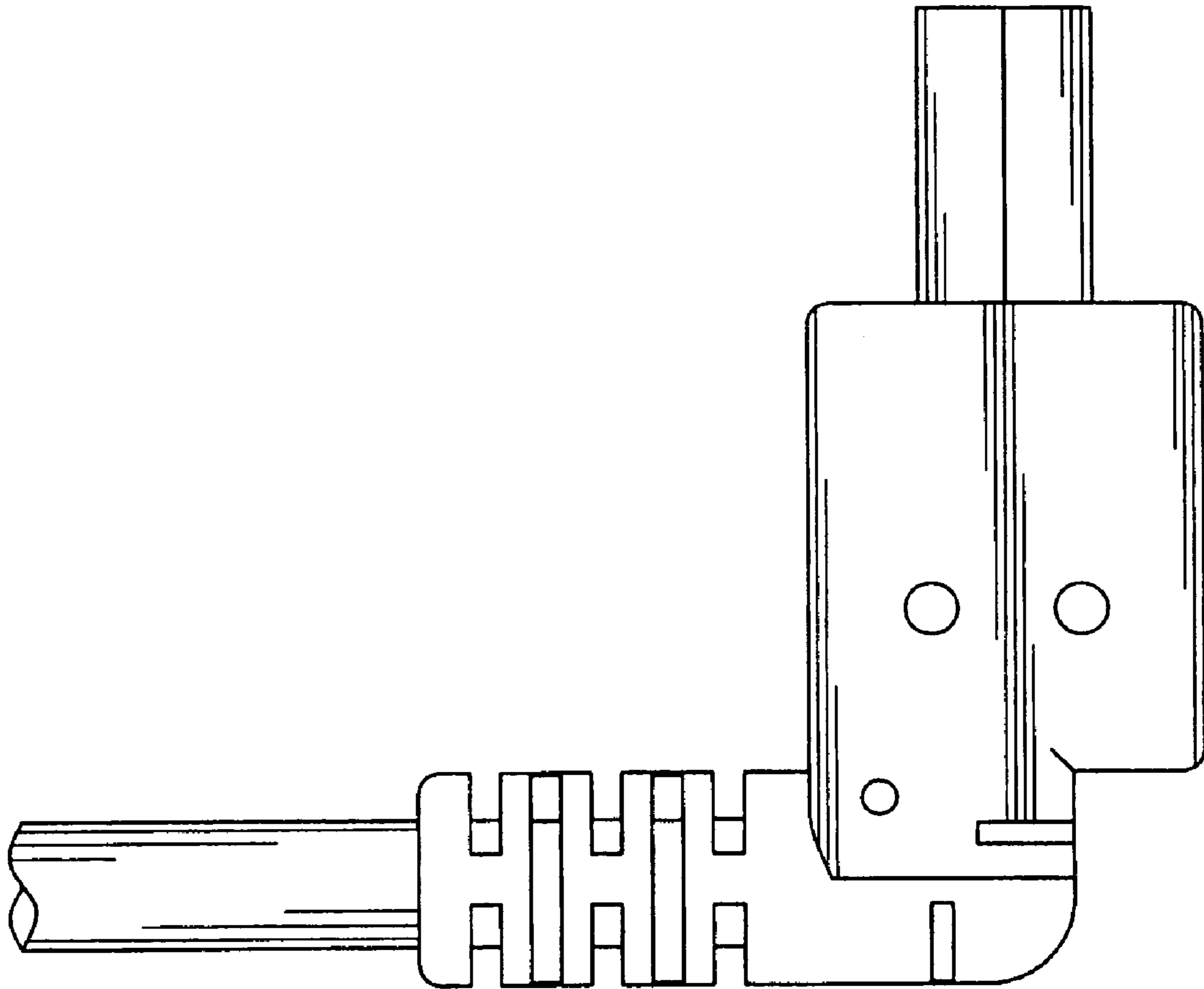


FIG. 7