



US00D544445S

(12) **United States Design Patent**
Sato et al.

(10) **Patent No.:** **US D544,445 S**
(45) **Date of Patent:** **** Jun. 12, 2007**

(54) **ELECTRIC CONNECTOR**

(75) Inventors: **Kazuhiro Sato**, Santa Clara, CA (US);
Hirokazu Takahashi, Kawachi-gun
(JP); **Takuya Higeta**, Moka (JP); **Ryoji
Kitamuki**, Moka (JP)

(73) Assignee: **DDK Ltd.**, Tokyo (JP)

(**) Term: **14 Years**

(21) Appl. No.: **29/265,135**

(22) Filed: **Aug. 24, 2006**

(30) **Foreign Application Priority Data**

Feb. 27, 2006 (JP) 2006-004719

(51) **LOC (8) Cl.** **13-03**

(52) **U.S. Cl.** **D13/147**

(58) **Field of Classification Search** D13/133,
D13/146-147, 149, 154, 184; D14/432-436,
D14/438; 439/64, 79, 157, 159, 260, 325,
439/329, 395, 492, 495, 607-610, 629-631
See application file for complete search history.

(56) **References Cited**

U.S. PATENT DOCUMENTS

5,443,403 A * 8/1995 Weidler et al. 439/701
D417,195 S * 11/1999 Dague et al. D13/147

D467,547 S * 12/2002 Jones et al. D13/147
D469,407 S * 1/2003 Wu D13/147
D498,210 S * 11/2004 Zhang D13/147
D509,191 S * 9/2005 Hu et al. D13/147

* cited by examiner

Primary Examiner—Daniel Bui

(74) *Attorney, Agent, or Firm*—Sughrue Mion, PLLC;
Pavel I. Pogodin, Esq.

(57) **CLAIM**

The ornamental design for an electric connector, as shown
and described.

DESCRIPTION

FIG. 1 is a first top perspective view of an electric connector,
showing our new design;

FIG. 2 is a second top perspective view thereof;

FIG. 3 is a first bottom perspective view thereof;

FIG. 4 is a second bottom perspective view thereof;

FIG. 5 is a front elevation view thereof;

FIG. 6 is a rear elevation view thereof;

FIG. 7 is a left side elevation view thereof;

FIG. 8 is a right side elevation view thereof;

FIG. 9 is a top plan view thereof; and,

FIG. 10 is a bottom plan view thereof.

FIG. 11 is an enlarged rear view taken at the portion 11 of
FIG. 6 .

1 Claim, 4 Drawing Sheets

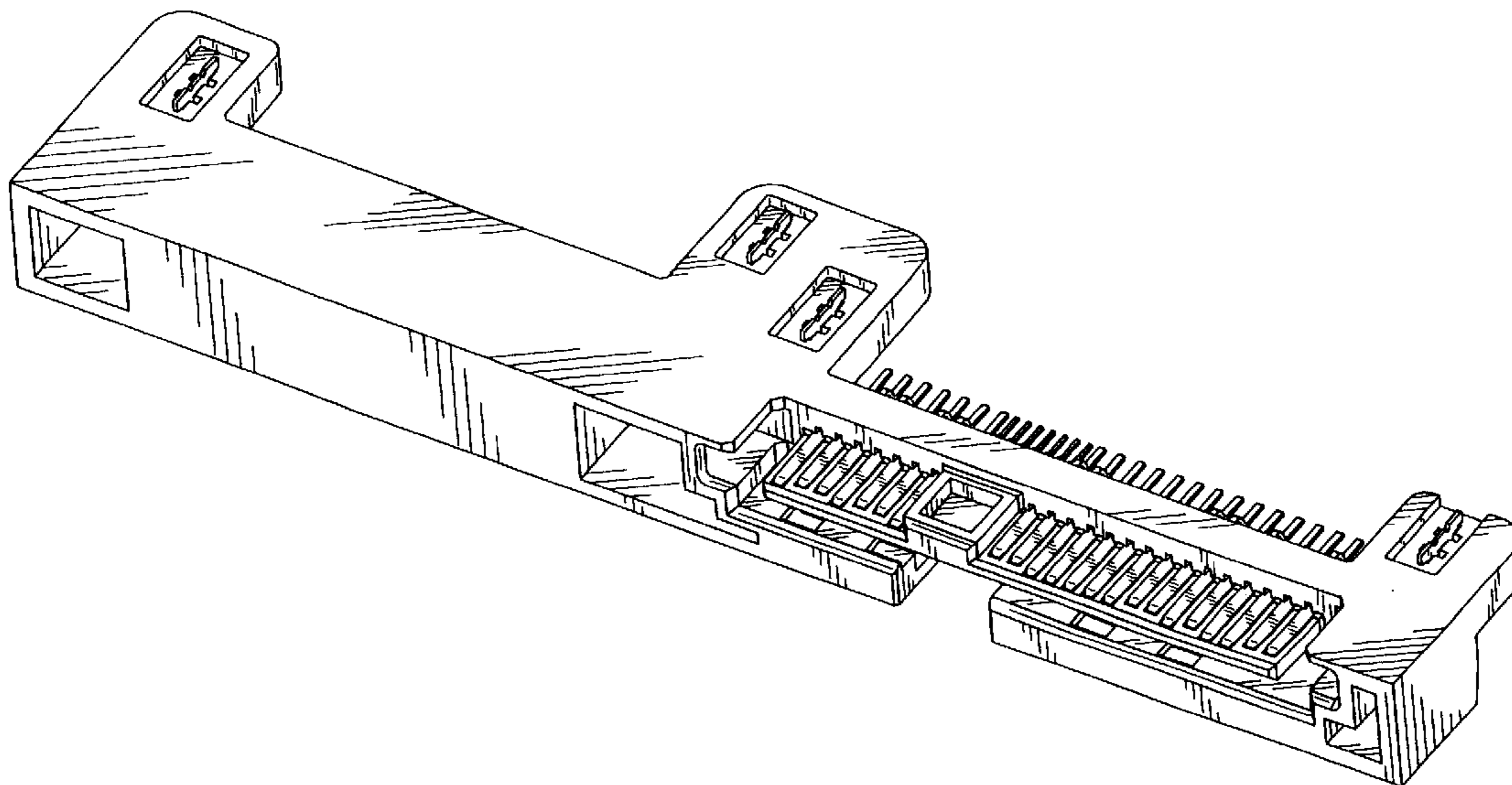


Fig.1

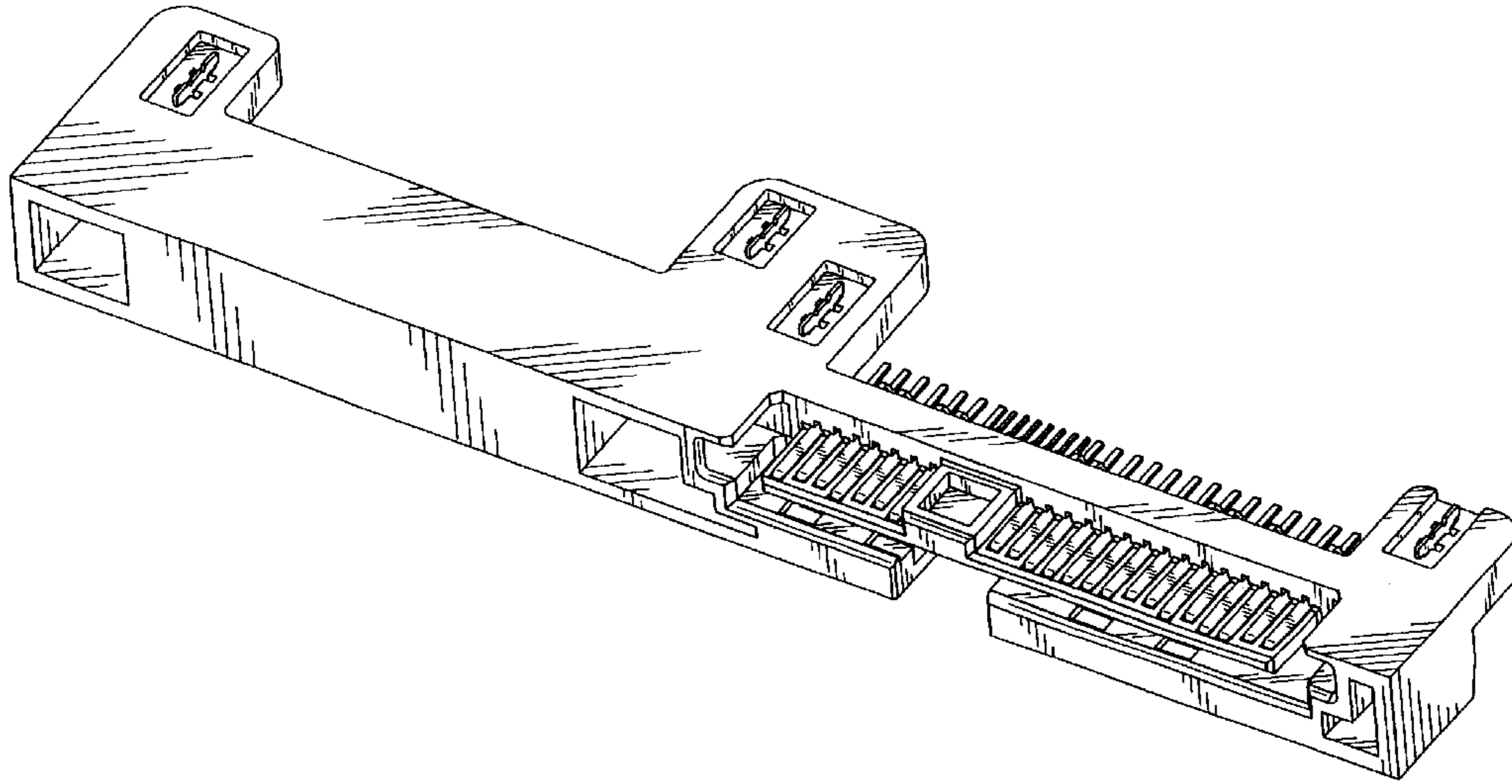


Fig.2

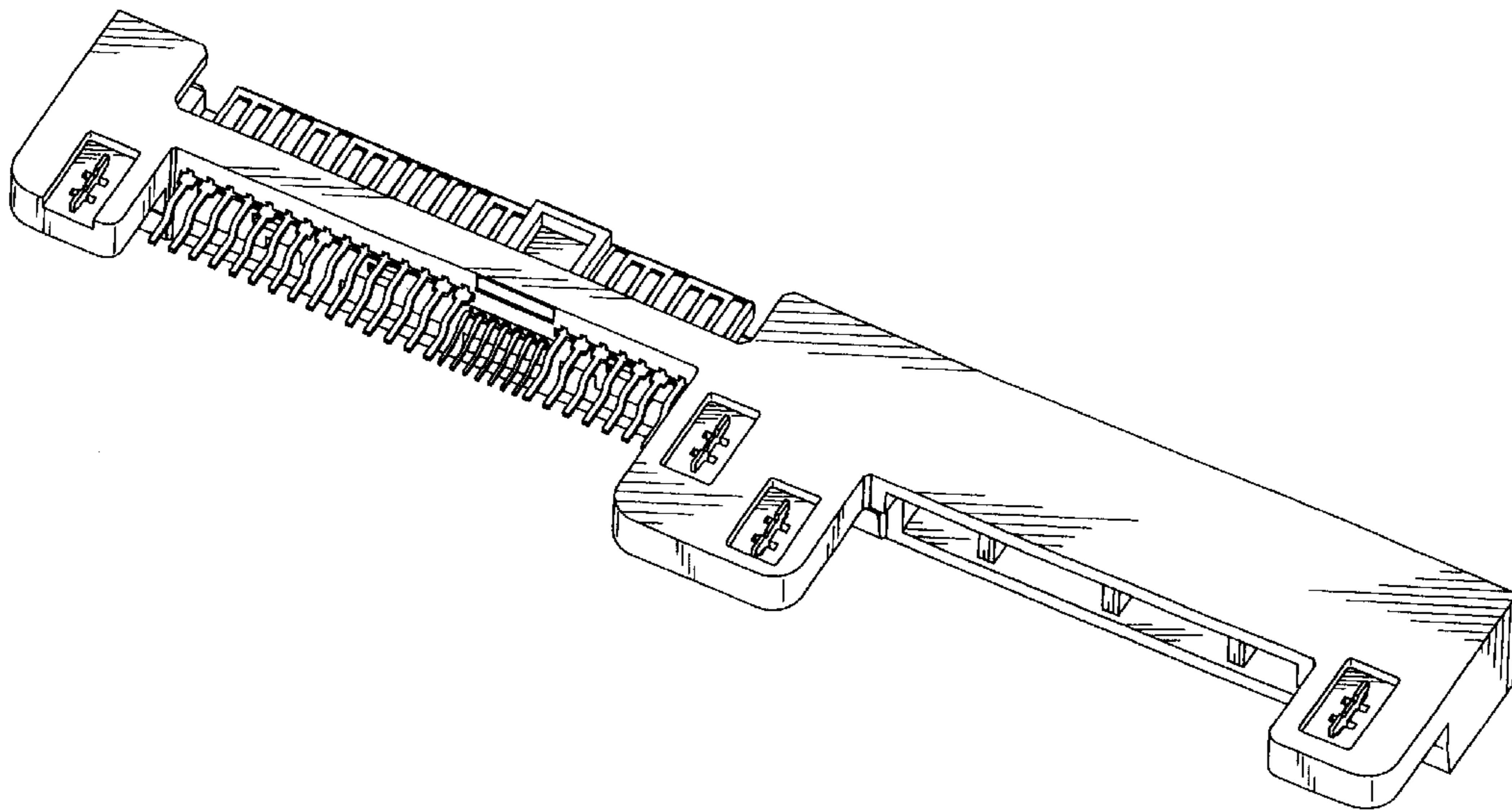


Fig.3

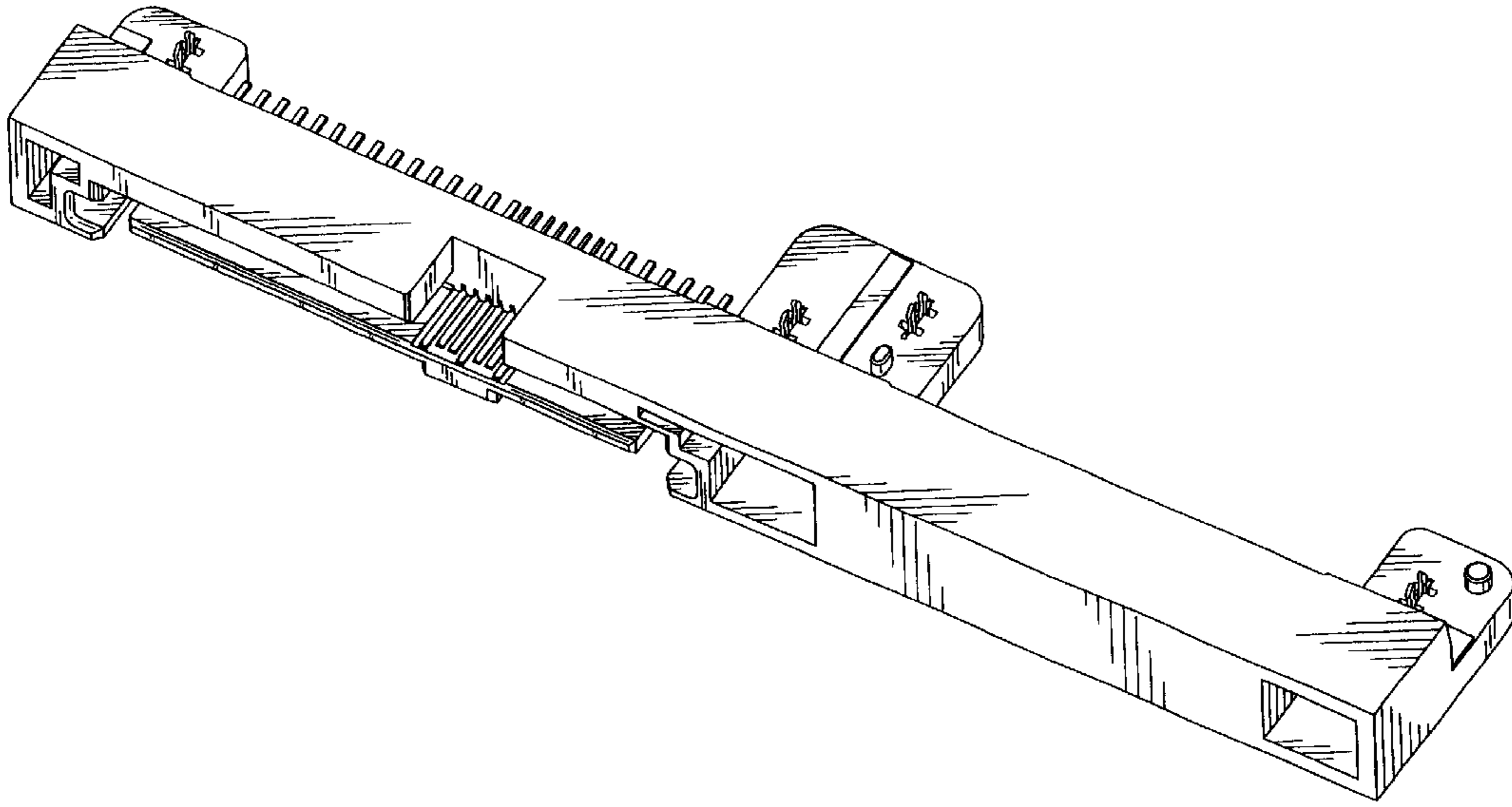


Fig.4

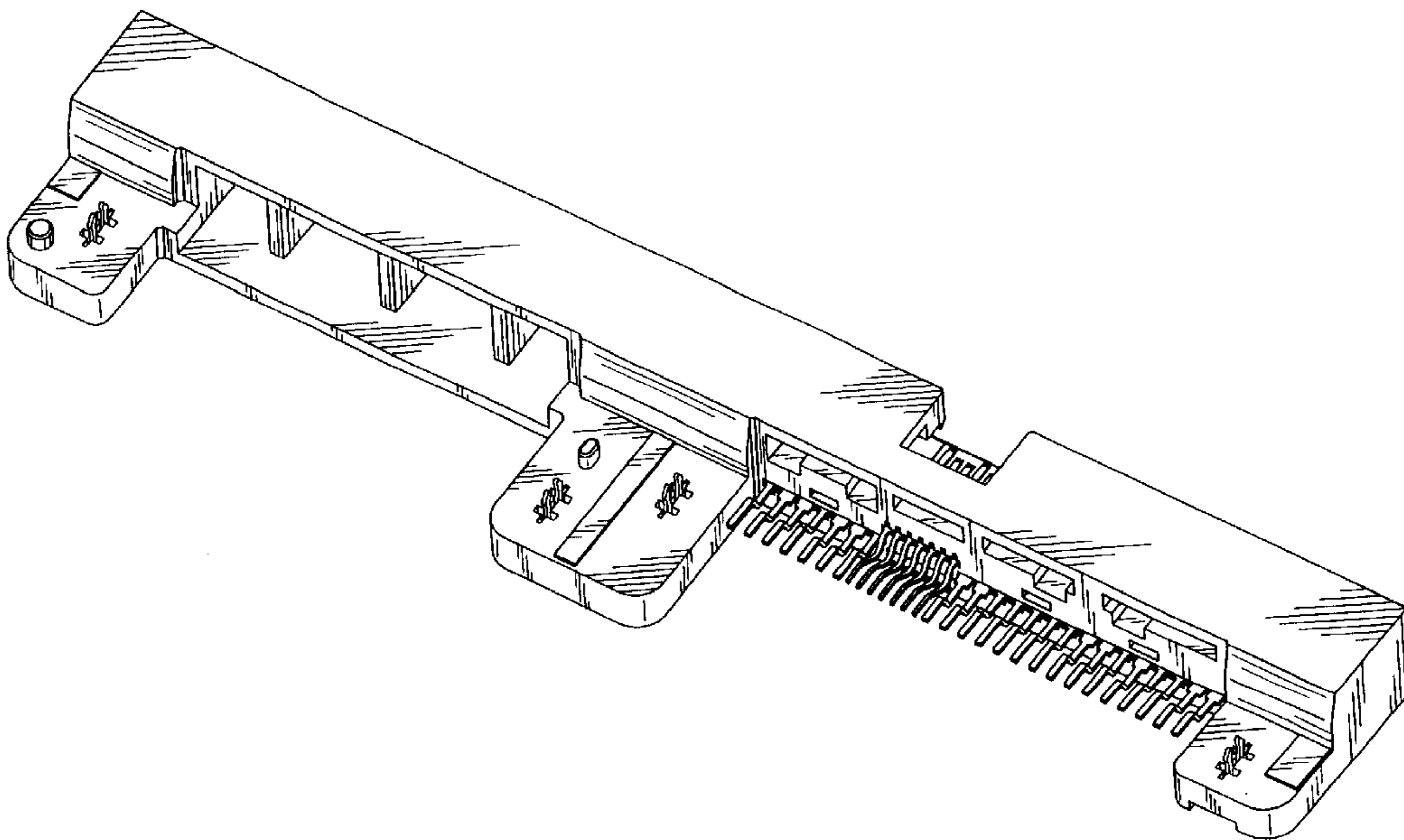


Fig.5

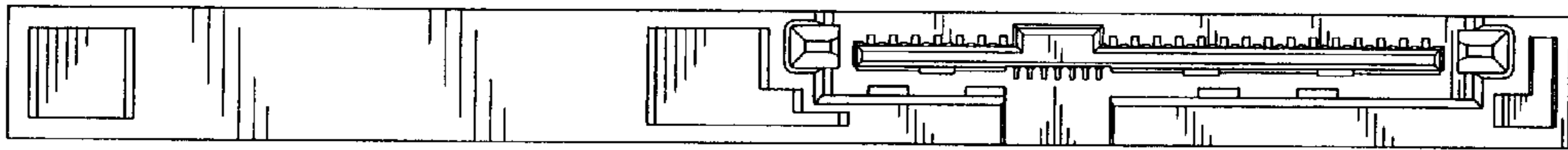


Fig.6

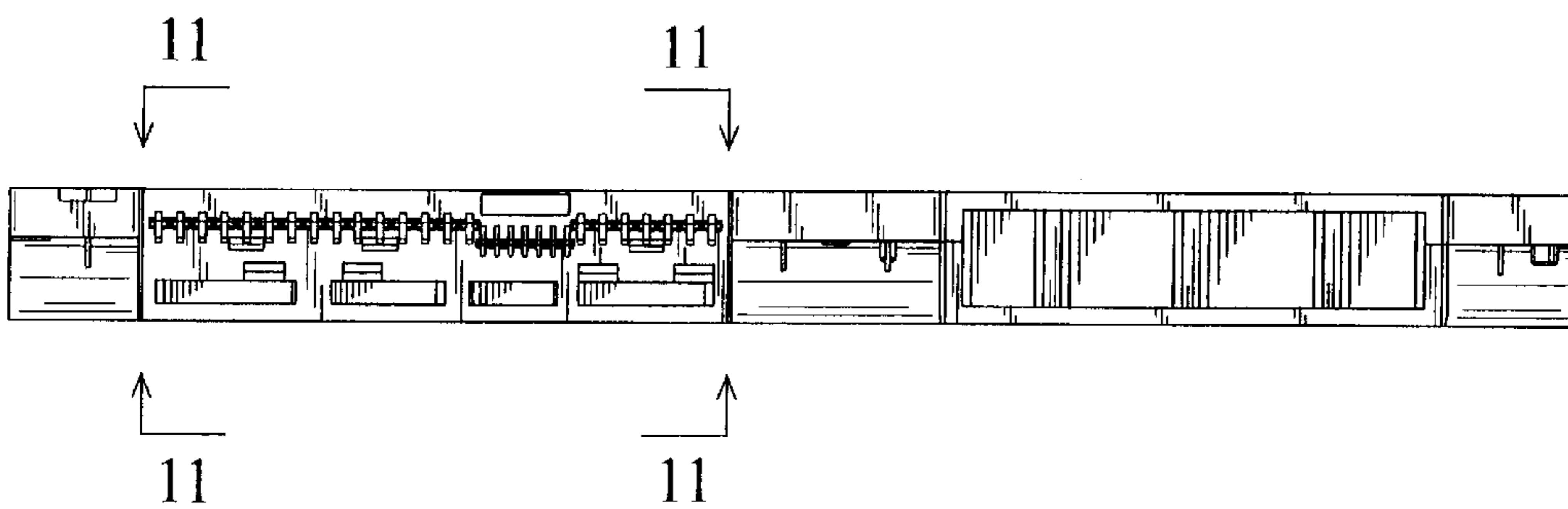


Fig.7

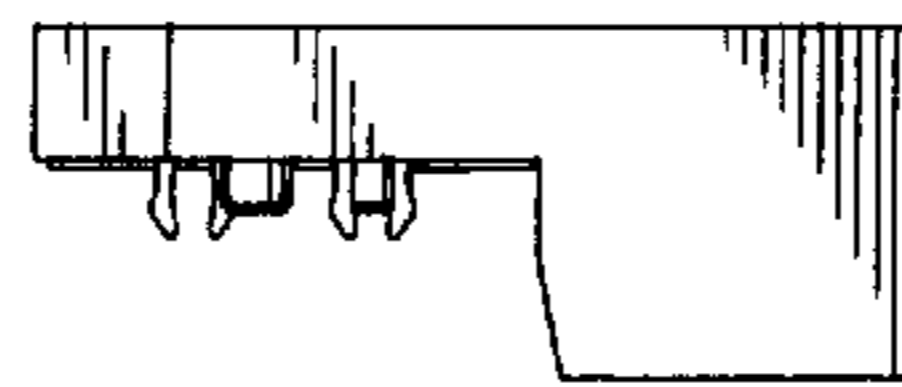


Fig.8

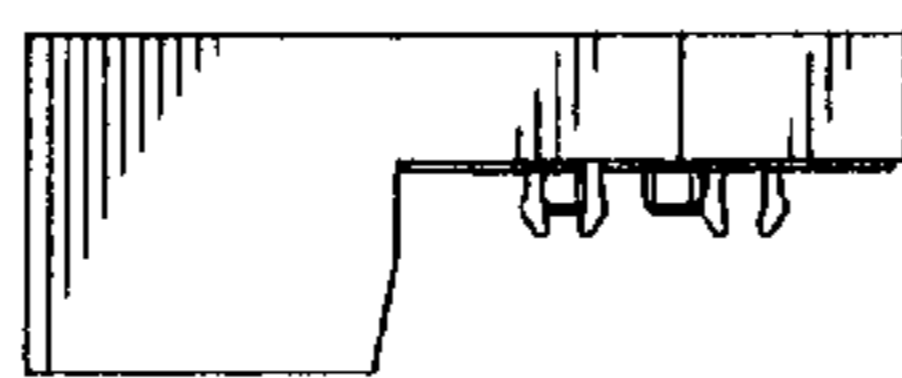


Fig.9

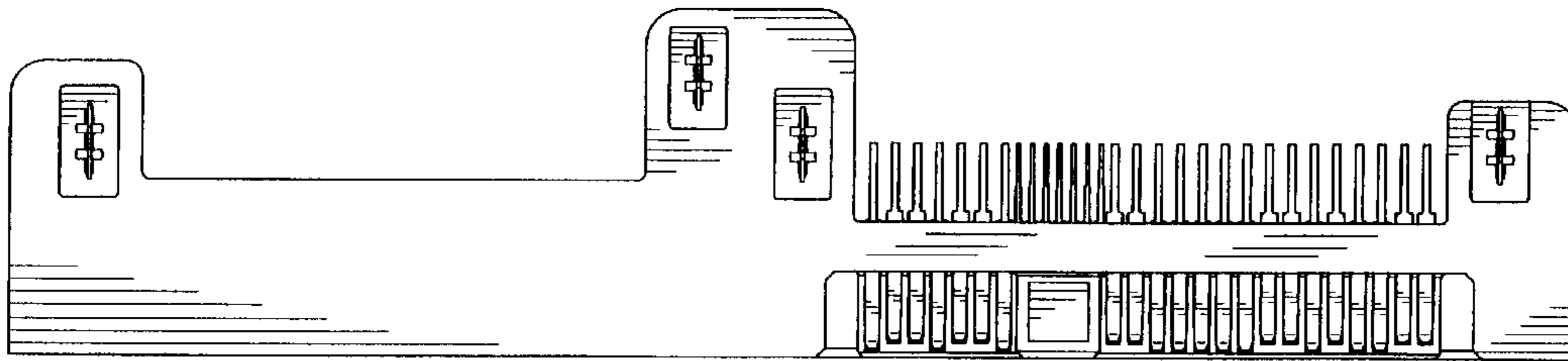


Fig.10

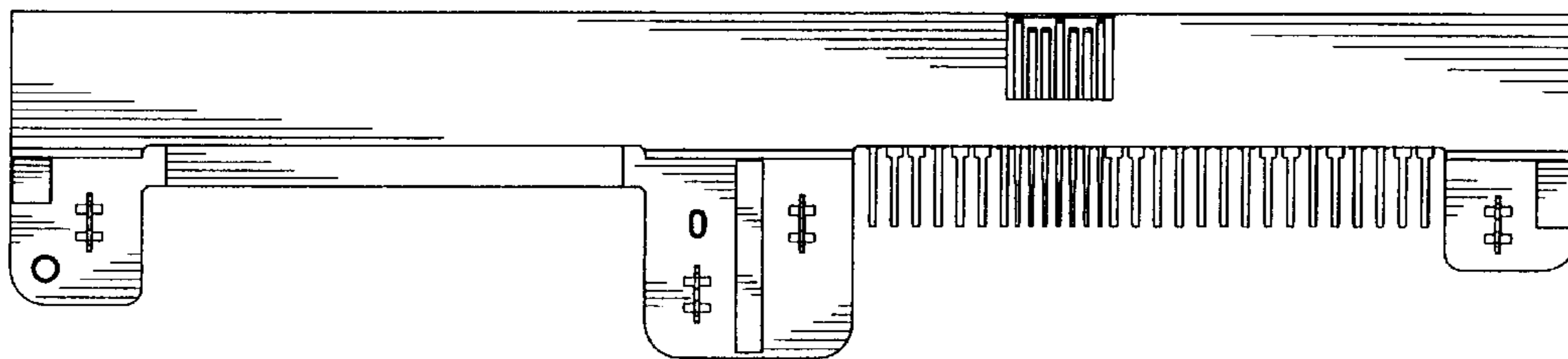


Fig.11

