

US00D544442S

(12) **United States Design Patent**
Hu

(10) **Patent No.:** **US D544,442 S**

(45) **Date of Patent:** **** Jun. 12, 2007**

(54) **EARPHONE JACK**

(75) Inventor: **Chien-Ming Hu**, Tainan Hsien (TW)

(73) Assignee: **Excell Cell Electronic Company, Limited**, Taichung (TW)

(**) Term: **14 Years**

(21) Appl. No.: **29/203,646**

(22) Filed: **Apr. 19, 2004**

(51) **LOC (8) Cl.** **13-03**

(52) **U.S. Cl.** **D13/133**

(58) **Field of Classification Search** D13/133,
D13/146, 154, 184, 199; 381/384, 394; 439/188,
439/278, 607, 668, 894
See application file for complete search history.

(56) **References Cited**

U.S. PATENT DOCUMENTS

5,092,795	A *	3/1992	Kitagawa	439/668
6,077,126	A *	6/2000	Peng	439/668
6,231,396	B1 *	5/2001	Huang	439/668
6,312,267	B1 *	11/2001	Wang	439/92
D451,472	S *	12/2001	Suzuki	D13/133
D454,840	S *	3/2002	Ohbayashi et al.	D13/133
D461,770	S *	8/2002	Ma et al.	D13/133

D470,107	S *	2/2003	Li et al.	D13/133
7,031,486	B2 *	4/2006	Hu	381/384
D523,401	S *	6/2006	Wang	D13/154
2002/0052150	A1 *	5/2002	Ohbayashi et al.	439/668
2005/0265572	A1 *	12/2005	Hu	381/384
2006/0083399	A1 *	4/2006	Yang	381/384

* cited by examiner

Primary Examiner—Daniel Bui

(74) *Attorney, Agent, or Firm*—Baker Botts L.L.P.

(57) **CLAIM**

The ornamental design for an earphone jack, as shown and described.

DESCRIPTION

FIG. 1 is a perspective view of an earphone jack showing my new design;

FIG. 2 is a front elevational view thereof;

FIG. 3 is a rear elevational view thereof;

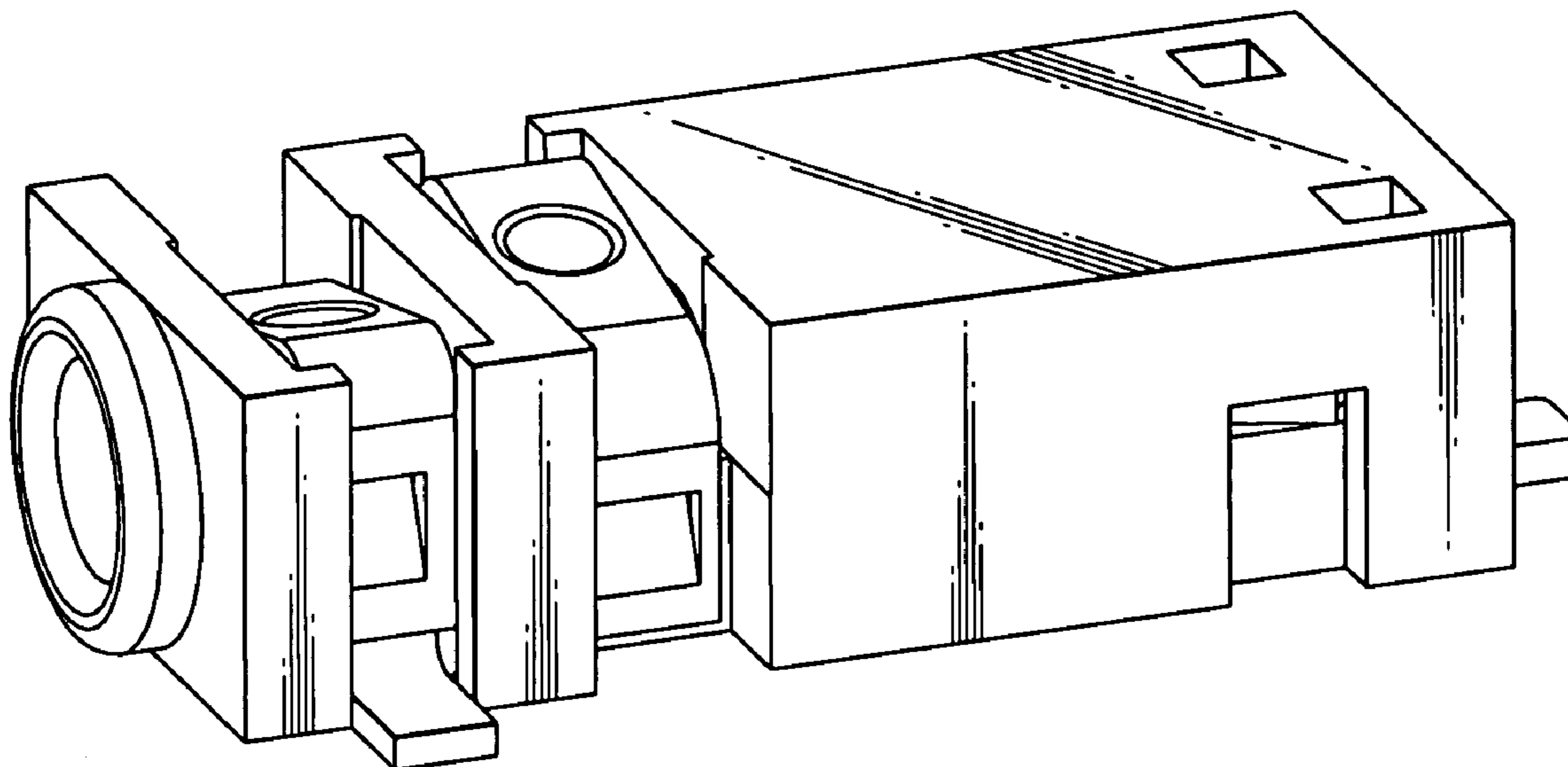
FIG. 4 is a left side elevational view thereof;

FIG. 5 is a right side elevational view thereof;

FIG. 6 is a top plan view thereof; and,

FIG. 7 is a bottom plan view thereof.

1 Claim, 4 Drawing Sheets



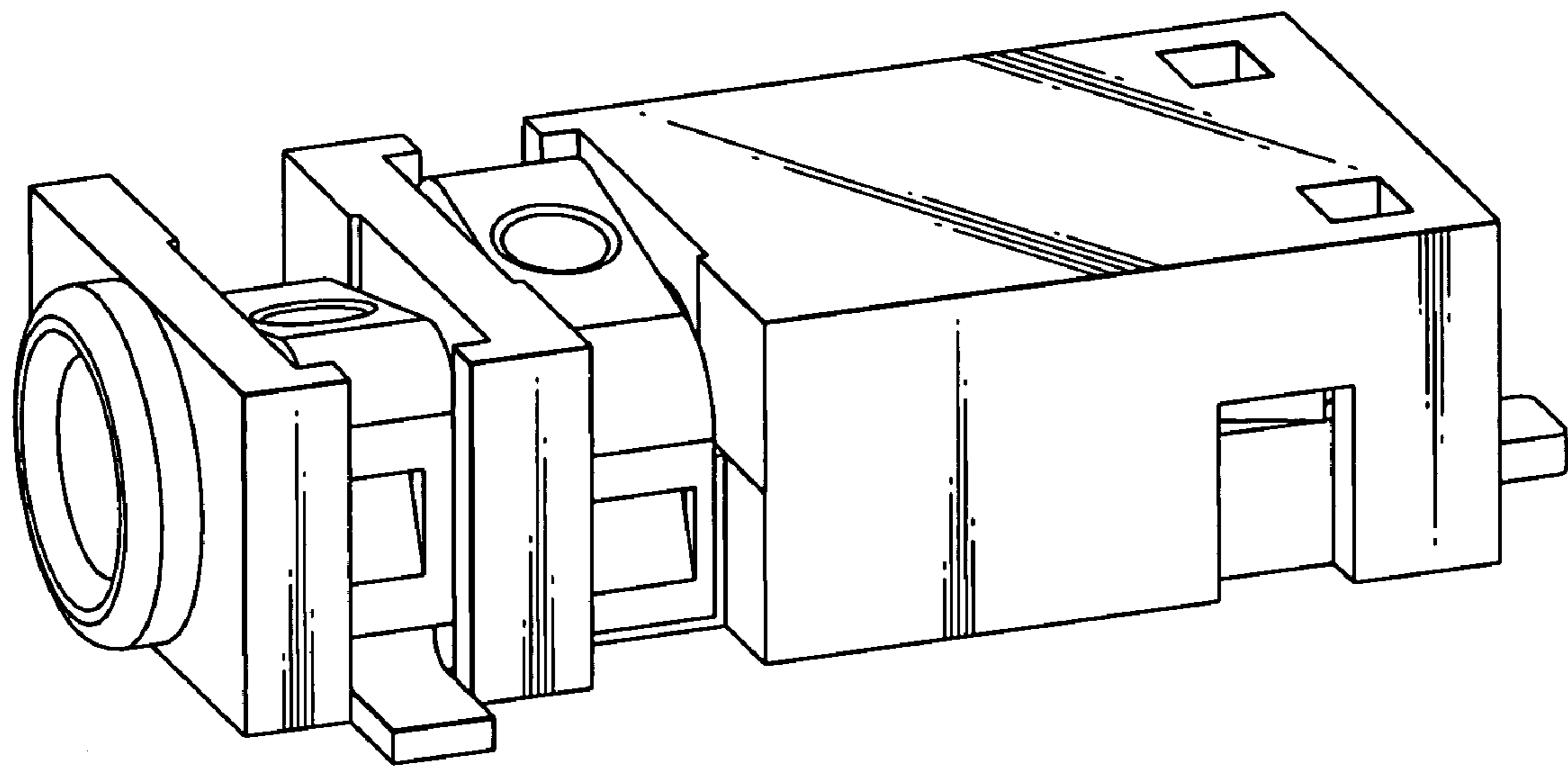


FIG. 1

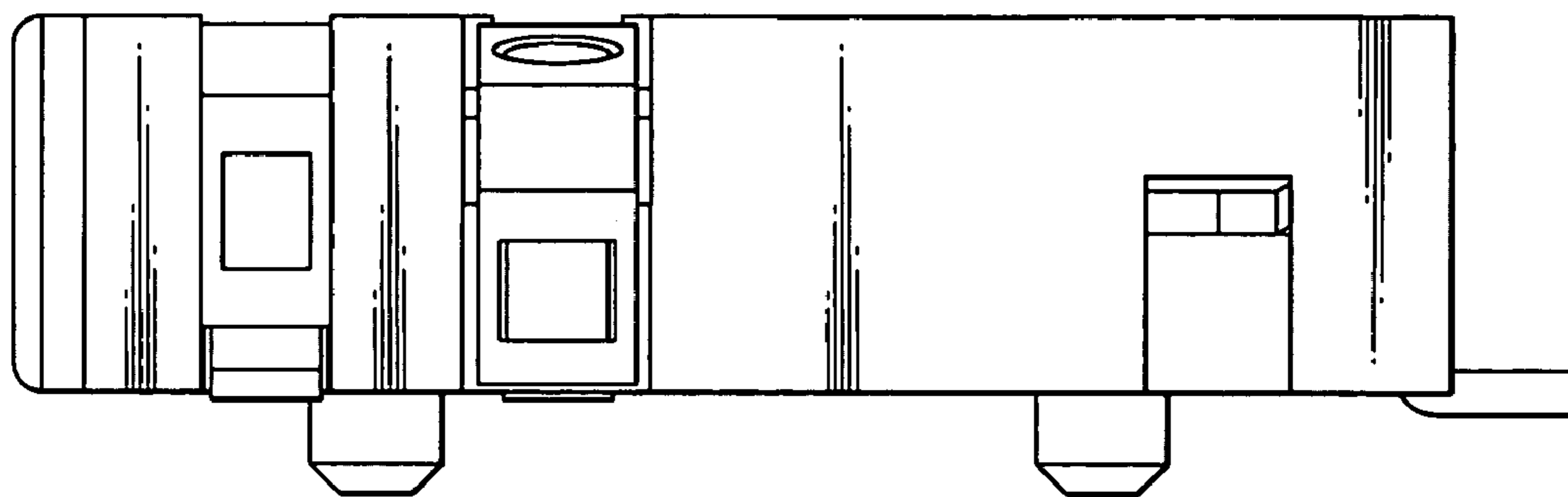


FIG. 2

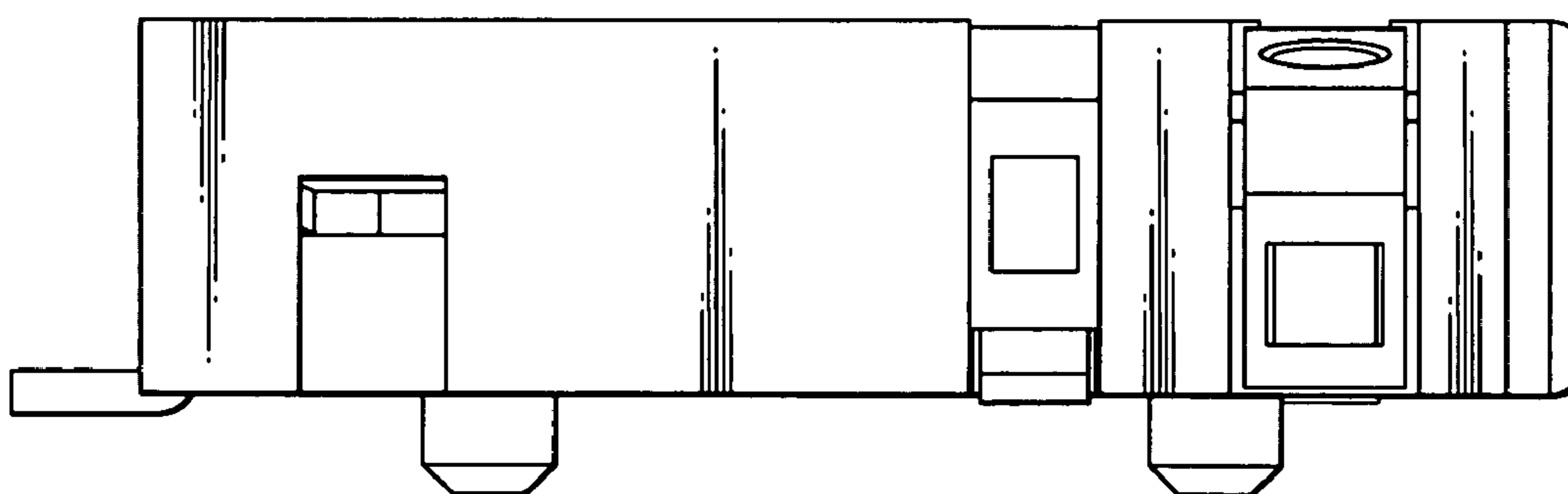


FIG. 3

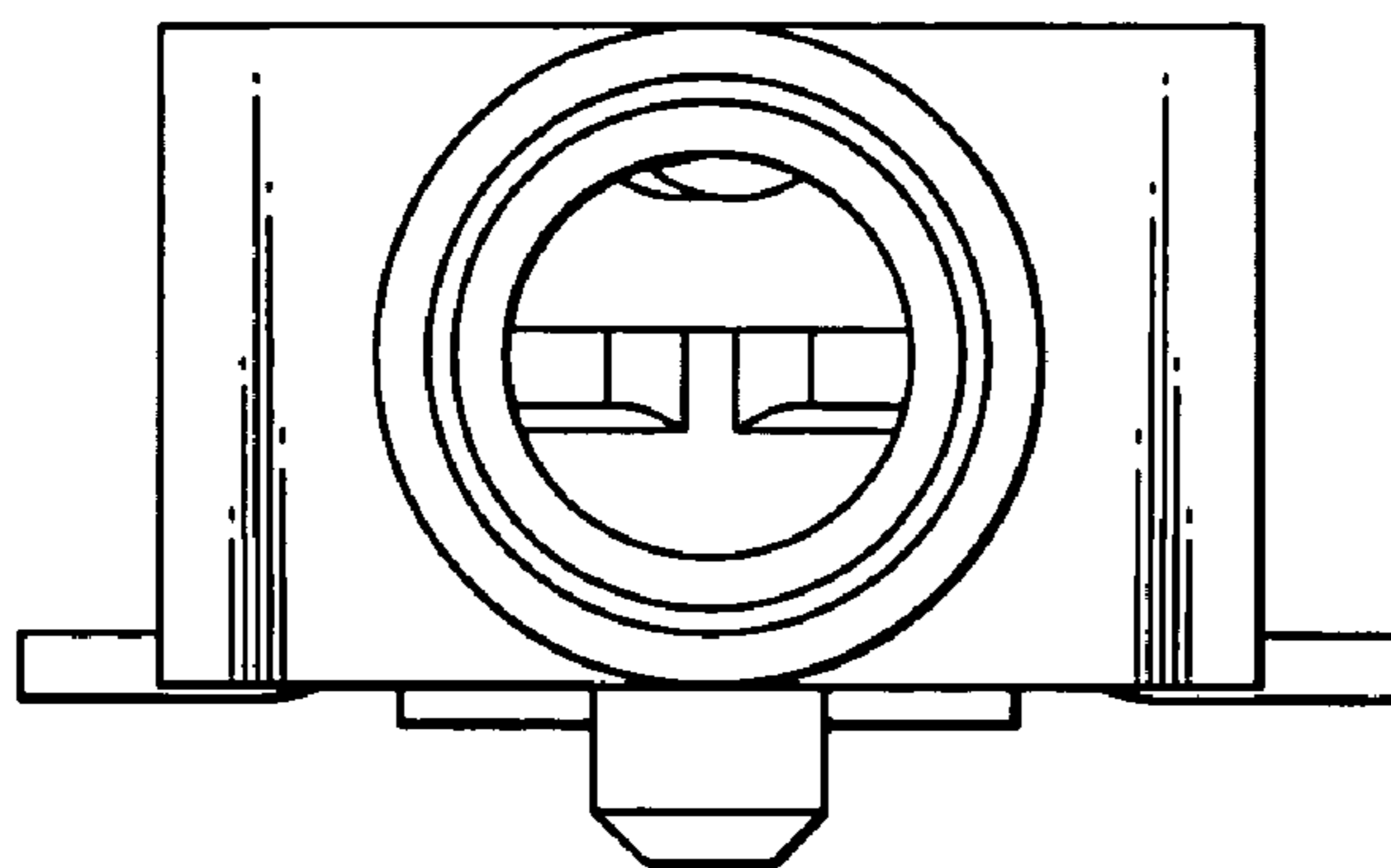


FIG. 4

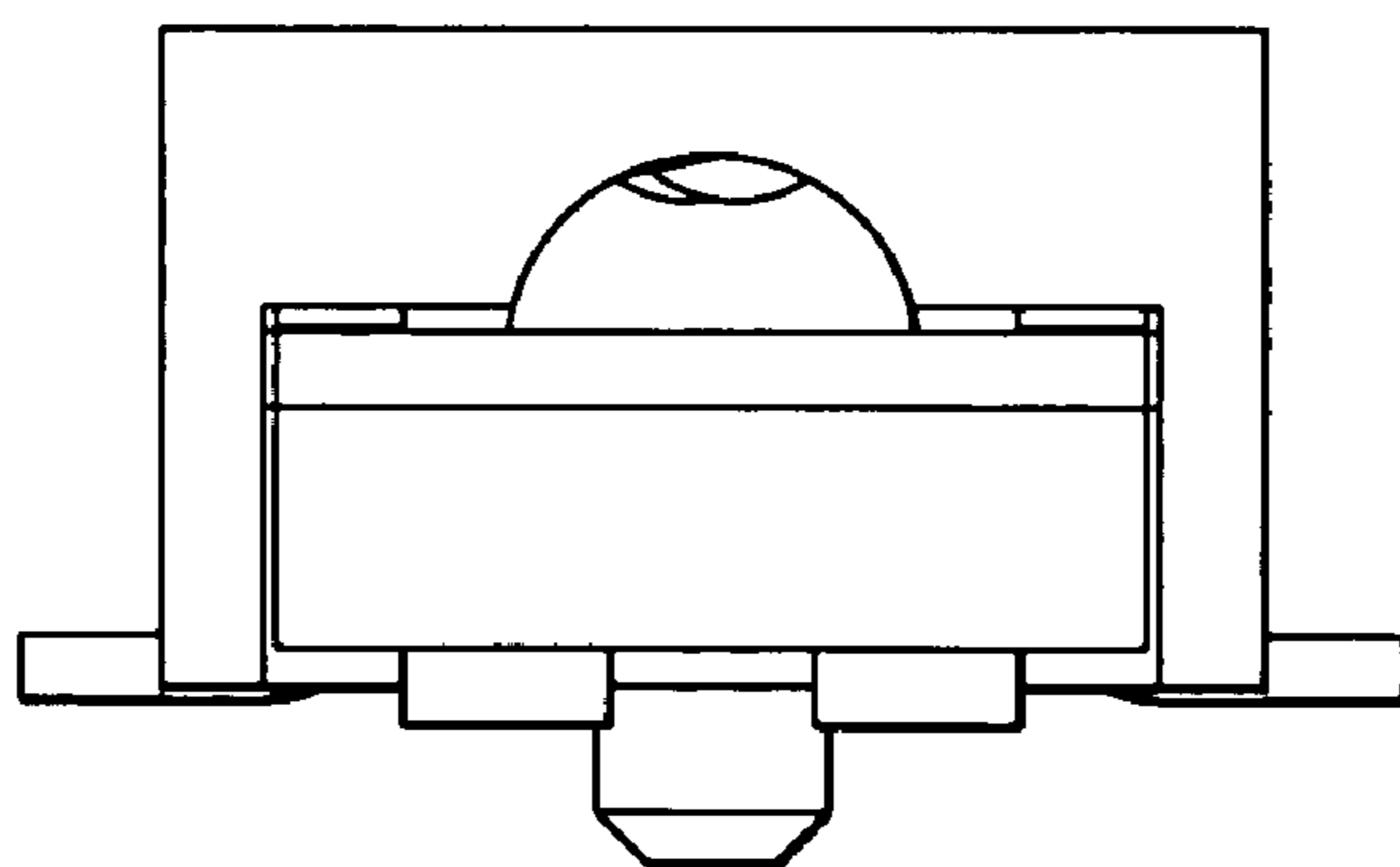


FIG. 5

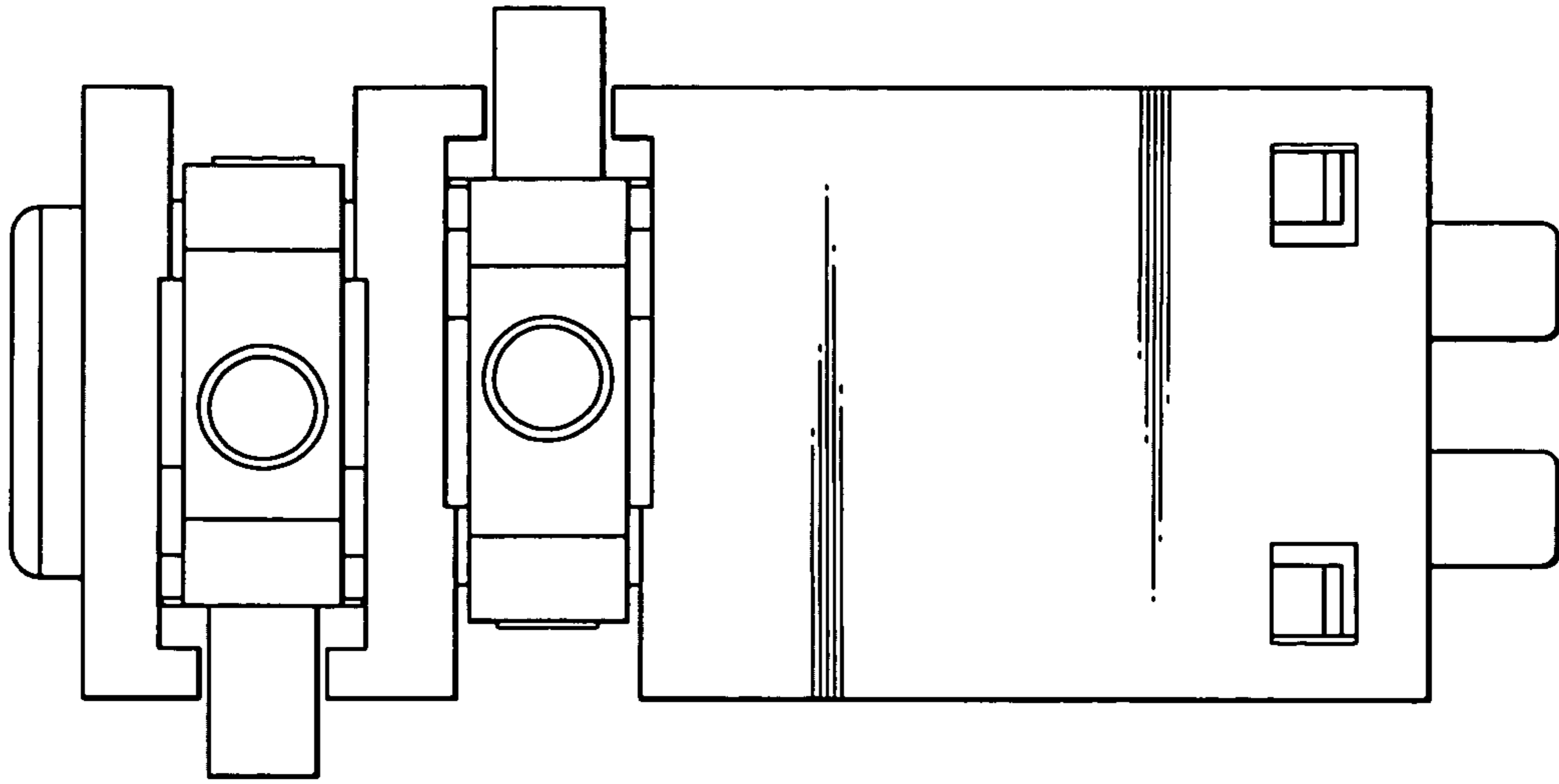


FIG. 6

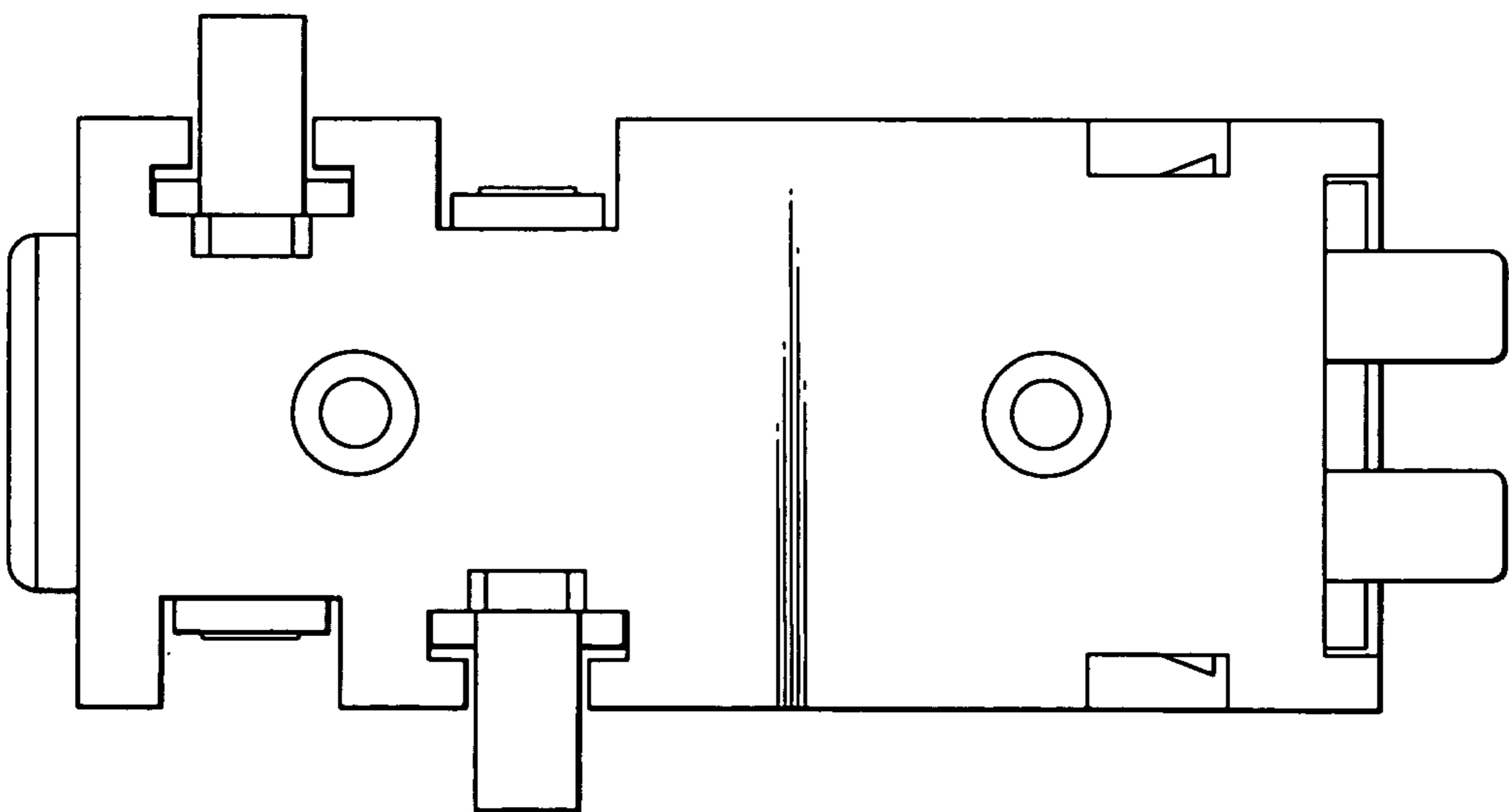


FIG. 7