

US00D544440S

(12) **United States Design Patent**
Dayan

(10) **Patent No.:** **US D544,440 S**

(45) **Date of Patent:** **** Jun. 12, 2007**

(54) **COMBINED MODULATOR AND POWER INVERTER**

6,116,960 A 9/2000 Lloyd et al.
D433,379 S 11/2000 Jokinen
D436,080 S 1/2001 Hussaini et al.
6,193,558 B1 * 2/2001 Yang 439/638

(75) Inventor: **Maurice S. Dayan**, Oakhurst, NJ (US)

(73) Assignee: **Intellectual Solutions, Inc.**

(Continued)

(**) Term: **14 Years**

OTHER PUBLICATIONS

(21) Appl. No.: **29/263,956**

<http://www.cetsolar.com.cigplugs.htm>-Model CELUY-aDT and Model 244.

(22) Filed: **Aug. 1, 2006**

(Continued)

(51) **LOC (8) Cl.** **13-02**

(52) **U.S. Cl.** **D13/110; D14/155**

(58) **Field of Classification Search** D13/110,
D13/107, 108, 144, 199; D14/155, 240;
307/150, 151; 361/600; 439/668, 669

Primary Examiner—Prabhakar Deshmukh
Assistant Examiner—Derrick Holland
(74) *Attorney, Agent, or Firm*—Brian L. Belles; Wolf, Block, Schorr & Solis-Cohen, LLP

See application file for complete search history.

(57) **CLAIM**

(56) **References Cited**

The ornamental design for a combined modulator and power inverter, as shown and described.

U.S. PATENT DOCUMENTS

DESCRIPTION

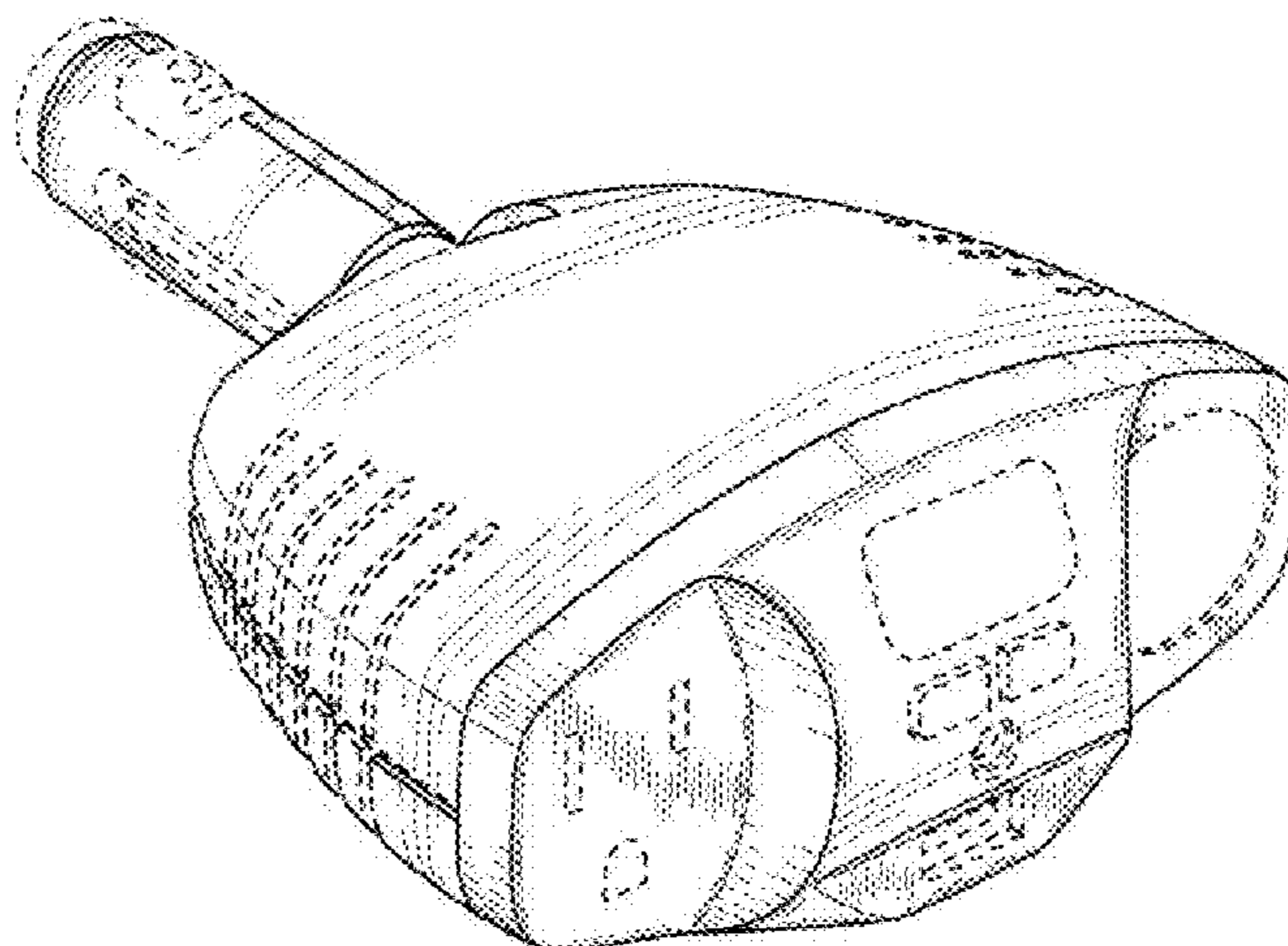
D222,967 S	2/1972	Hawkins et al.	
D243,537 S	3/1977	Wahl	
D303,954 S	10/1989	Michels et al.	
D314,178 S	1/1991	Reber	
D330,887 S	11/1992	Wharton	
D341,123 S	11/1993	Hakanen et al.	
D345,960 S	4/1994	Boyd et al.	
D348,250 S	6/1994	Shababy	
D349,096 S	7/1994	Hyvonen	
5,431,585 A	7/1995	Fan	
D362,230 S	9/1995	Yokozawa	
D362,657 S	9/1995	Tomikawa et al.	
D373,756 S *	9/1996	Chen D13/108	
D392,617 S	3/1998	Yokozawa	
D398,287 S	9/1998	Luminosu	
D400,177 S	10/1998	Jones	
D401,222 S	11/1998	LeBlanc	
D403,663 S	1/1999	Jones et al.	
D409,568 S	5/1999	Lindahl	
D410,432 S	6/1999	Park	
D413,567 S *	9/1999	Person et al. D13/110	
D425,902 S *	5/2000	Rathbun et al. D14/240	

FIG. 1 is a top perspective view of a combined modulator and power inverter showing my new design;
FIG. 2 is a front view thereof;
FIG. 3 is a rear view thereof;
FIG. 4 is a left side view thereof;
FIG. 5 is a right side view thereof;
FIG. 6 is a top plan view thereof;
FIG. 7 is a bottom plan view thereof;
FIG. 8 is a right side upward articulated view thereof; and,
FIG. 9 is a right side downward articulated view thereof.

The broken lines shown in the drawings form no part of the claimed design.

The broken lines showing are for illustrative purposes and form no part of the claimed design.

1 Claim, 6 Drawing Sheets



US D544,440 S

Page 2

U.S. PATENT DOCUMENTS

D442,543 S 5/2001 Krumenacker et al.
D442,932 S 5/2001 Koike
6,296,526 B1 10/2001 Hussaini et al.
D456,007 S 4/2002 Kuo
D461,176 S 8/2002 Siokola
D463,369 S 9/2002 Eisenbraun
D465,781 S * 11/2002 Fischer D14/240
D469,400 S 1/2003 Shor et al.
6,551,142 B2 4/2003 Eisenbraun
D479,824 S 9/2003 Arkin et al.
6,641,405 B2 11/2003 Chou
D489,326 S 5/2004 Nazar
D492,249 S 6/2004 Suomalainen et al.
6,767,256 B1 7/2004 Faerber et al.
D494,541 S * 8/2004 Hriscu et al. D13/110
D494,542 S 8/2004 Hriscu et al.
D495,297 S * 8/2004 Hriscu et al. D13/110
D496,629 S * 9/2004 Hriscu et al. D13/110
D496,904 S * 10/2004 Nazar D13/110
D503,675 S 4/2005 Lodato et al.
D504,407 S 4/2005 Cohen et al.
D504,408 S 4/2005 Bey et al.
D505,935 S 6/2005 Bey et al.
D506,455 S 6/2005 Bey et al.

D507,527 S 7/2005 Huang
6,923,686 B1 8/2005 Cheng
D509,792 S 9/2005 Hsu
6,951,480 B2 10/2005 Rivera
D516,533 S 3/2006 Cohen et al.
D519,981 S 5/2006 Lai
D519,994 S 5/2006 Kettula et al.
D521,486 S 5/2006 Yokoyama
D521,487 S 5/2006 Dayan
D522,457 S 6/2006 Riede
D522,992 S 6/2006 Dayan
D523,413 S 6/2006 Dayan
D524,285 S 7/2006 Dayan
D525,318 S 7/2006 Campbell et al.
D525,937 S 8/2006 Seil et al.
D525,938 S 8/2006 Seil et al.

OTHER PUBLICATIONS

<http://edirectory.co.uk/pf/pages/moreinfoa.asp?pe=BFCDGGJ&cid=880> product reference 880/1523669 for Uni-Talk Universal in-Car Handsfree.

Cyberguys Internet Catalog—Item No. 204-0172 www.cyberguys.com.

* cited by examiner

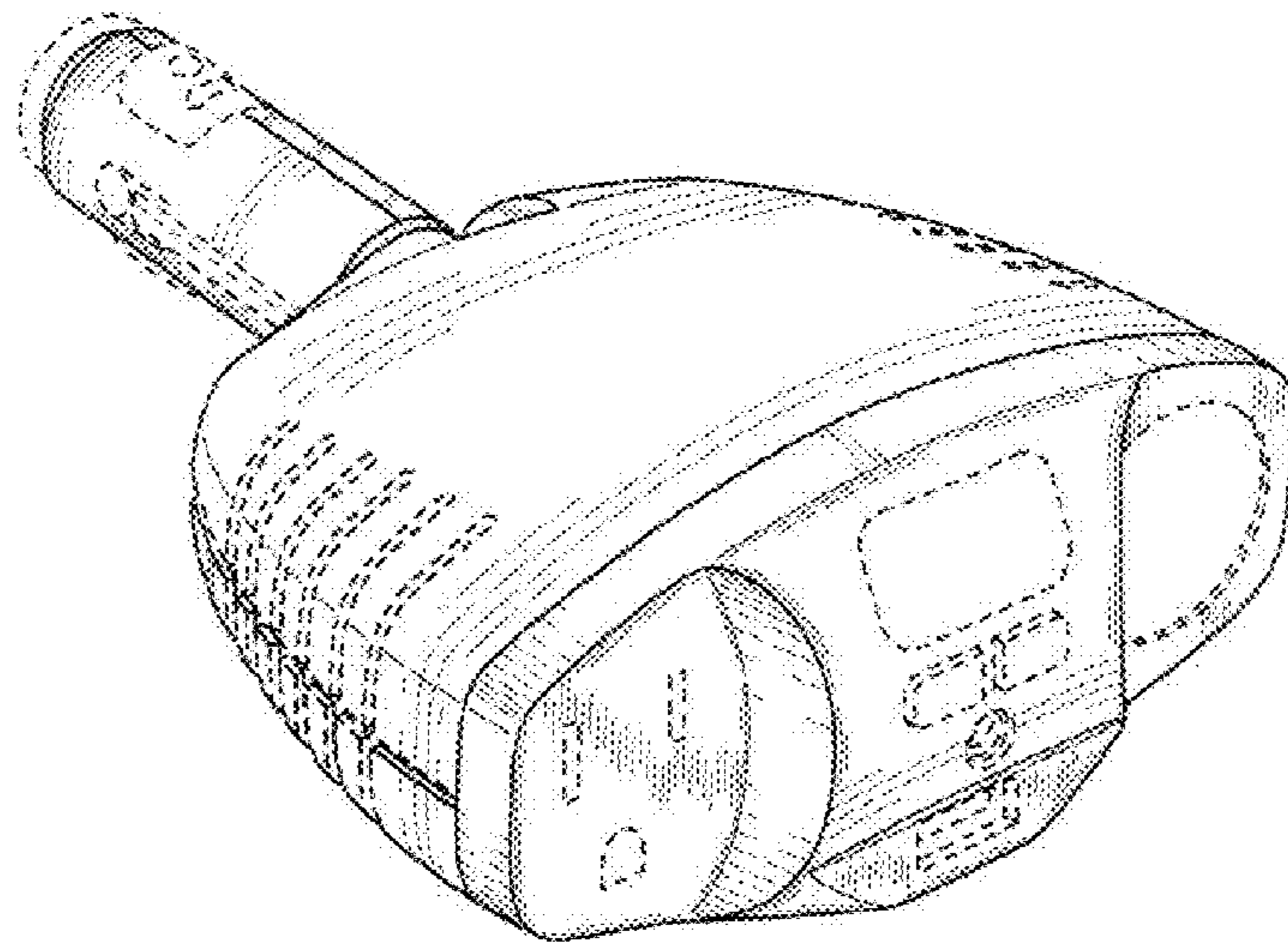


FIG. 1

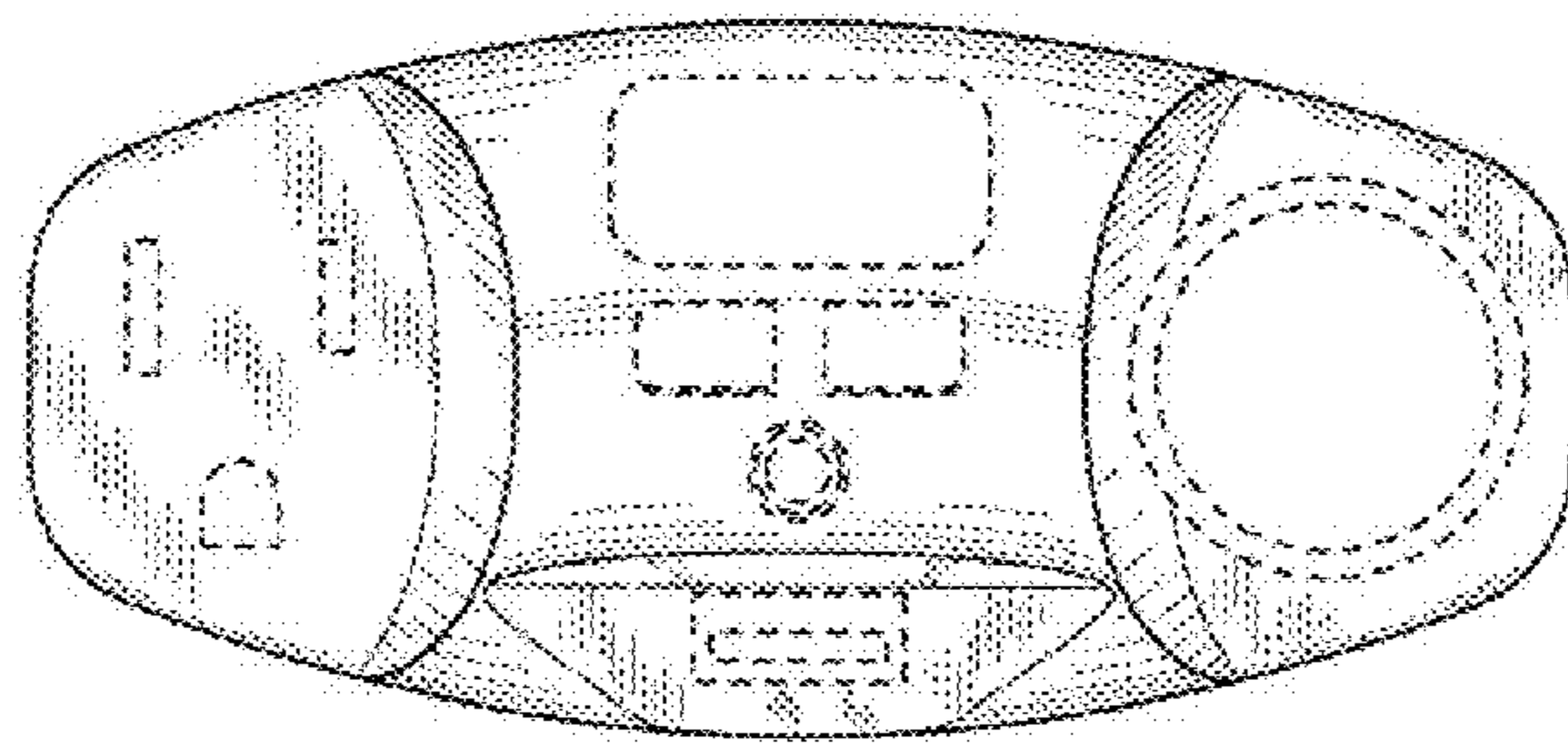


FIG. 2

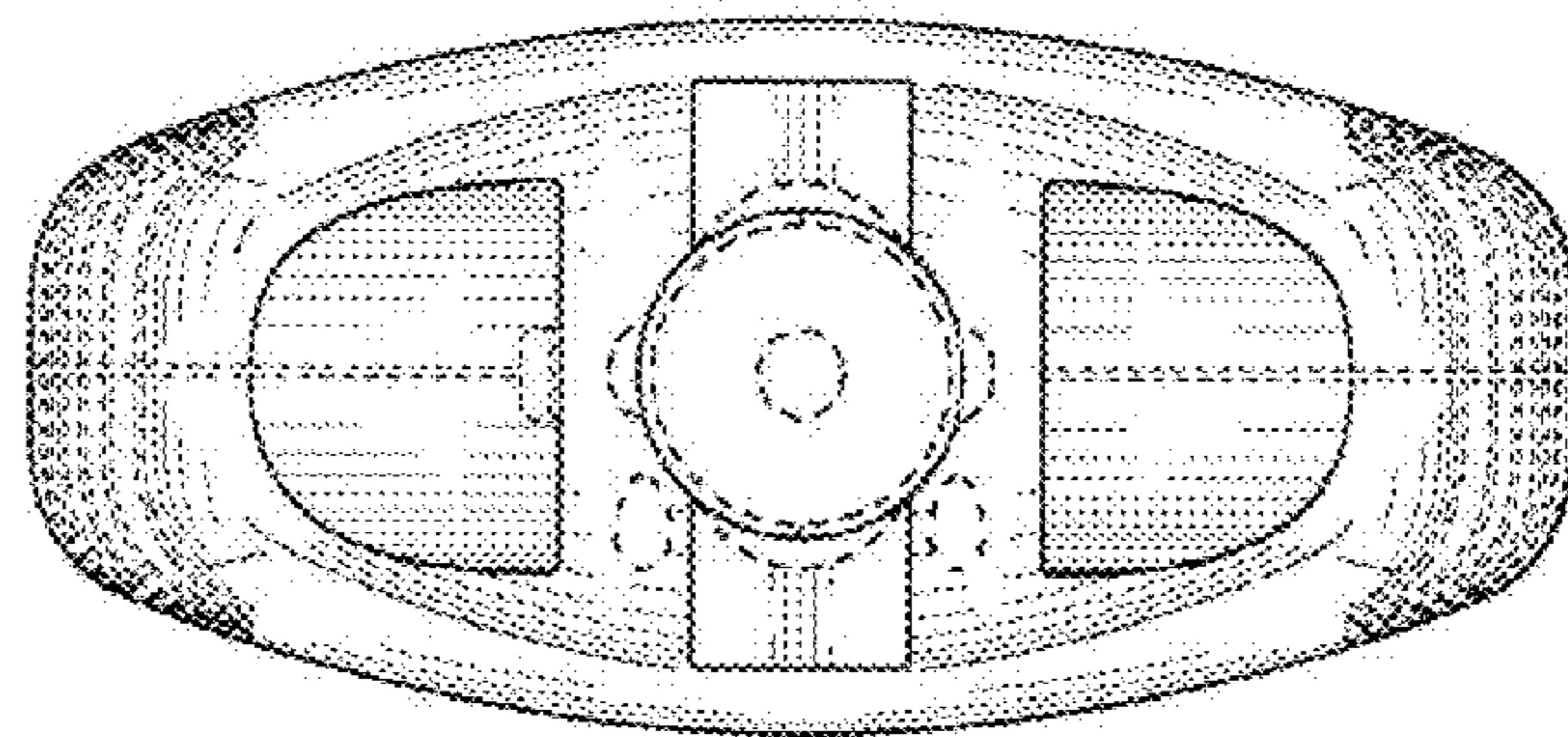


FIG. 3

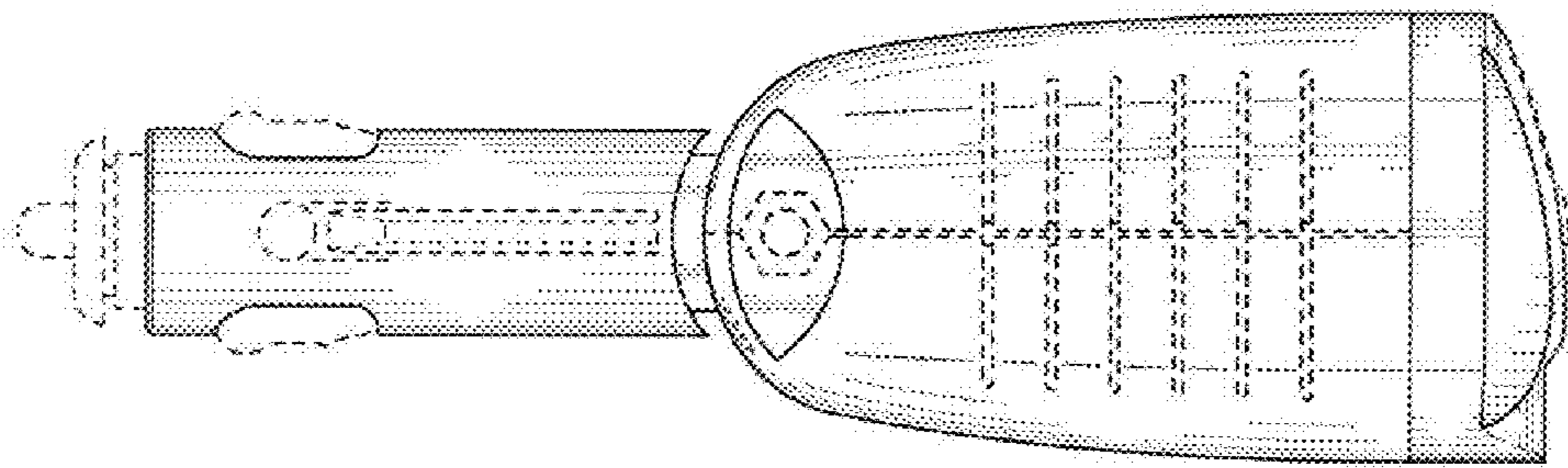


FIG. 4

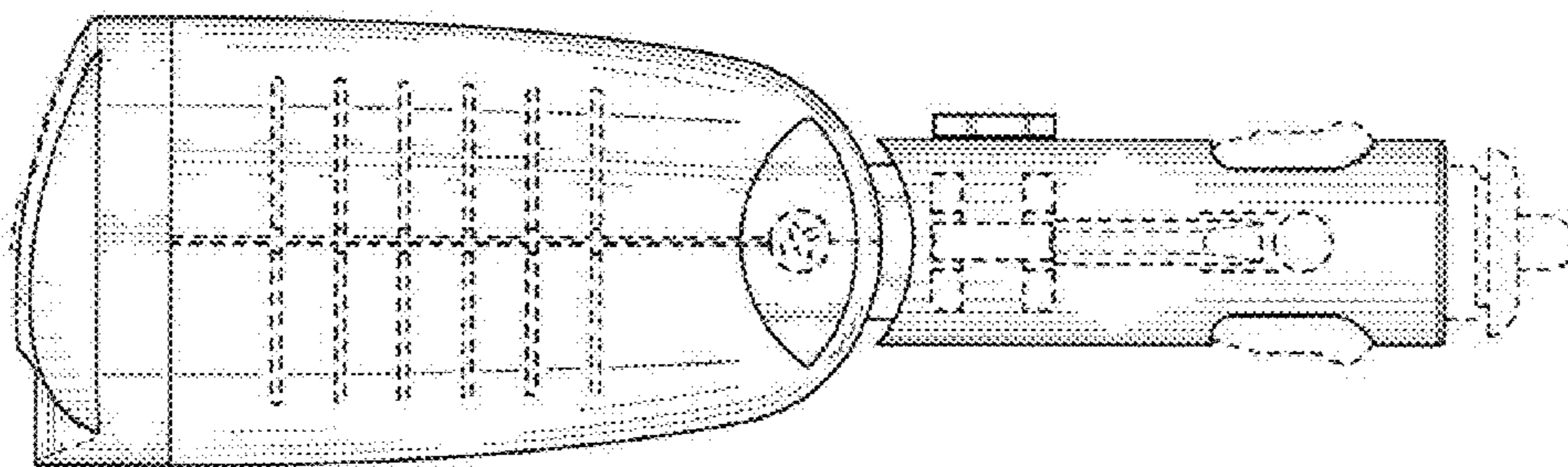


FIG. 5

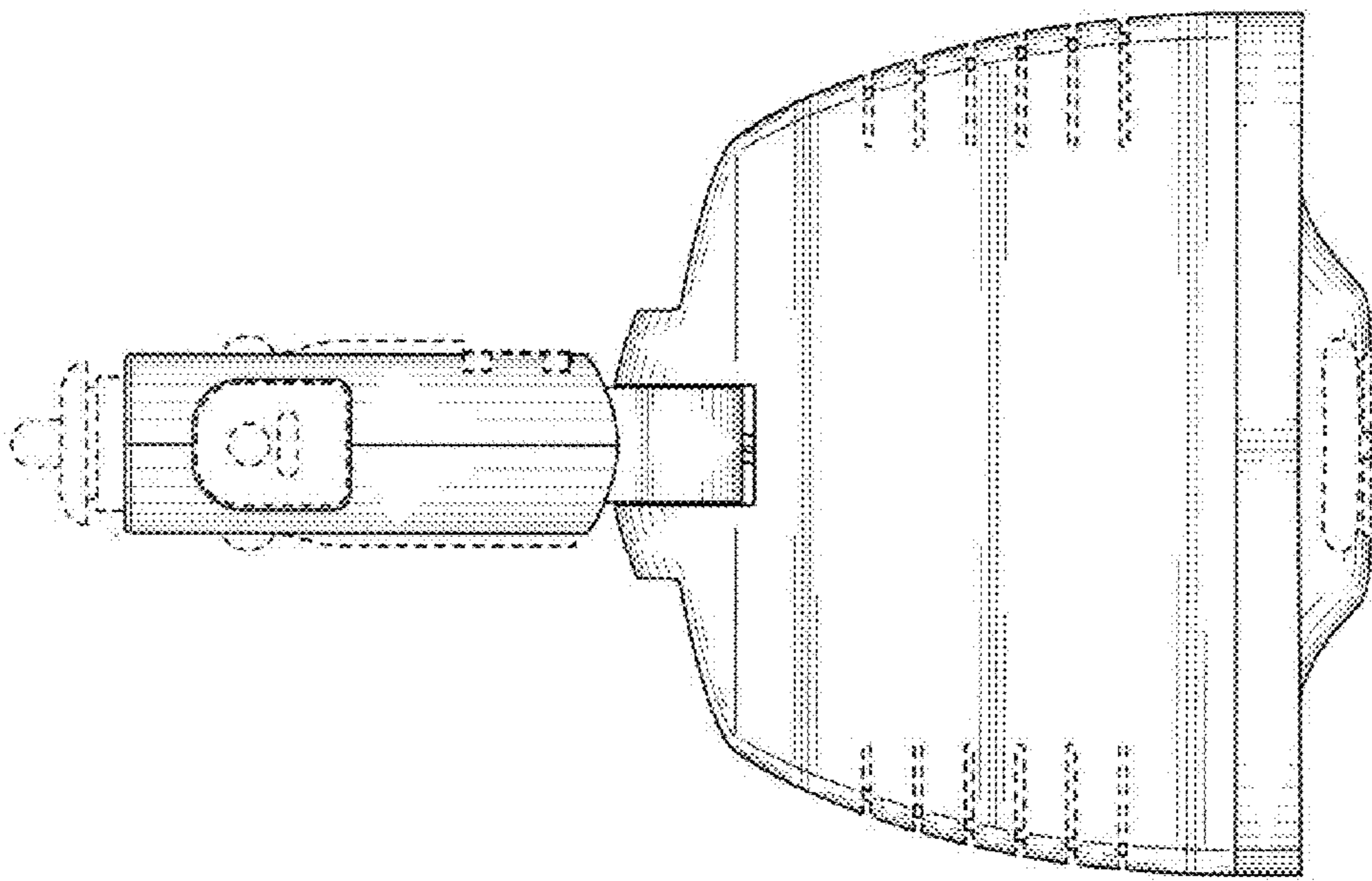


FIG. 6

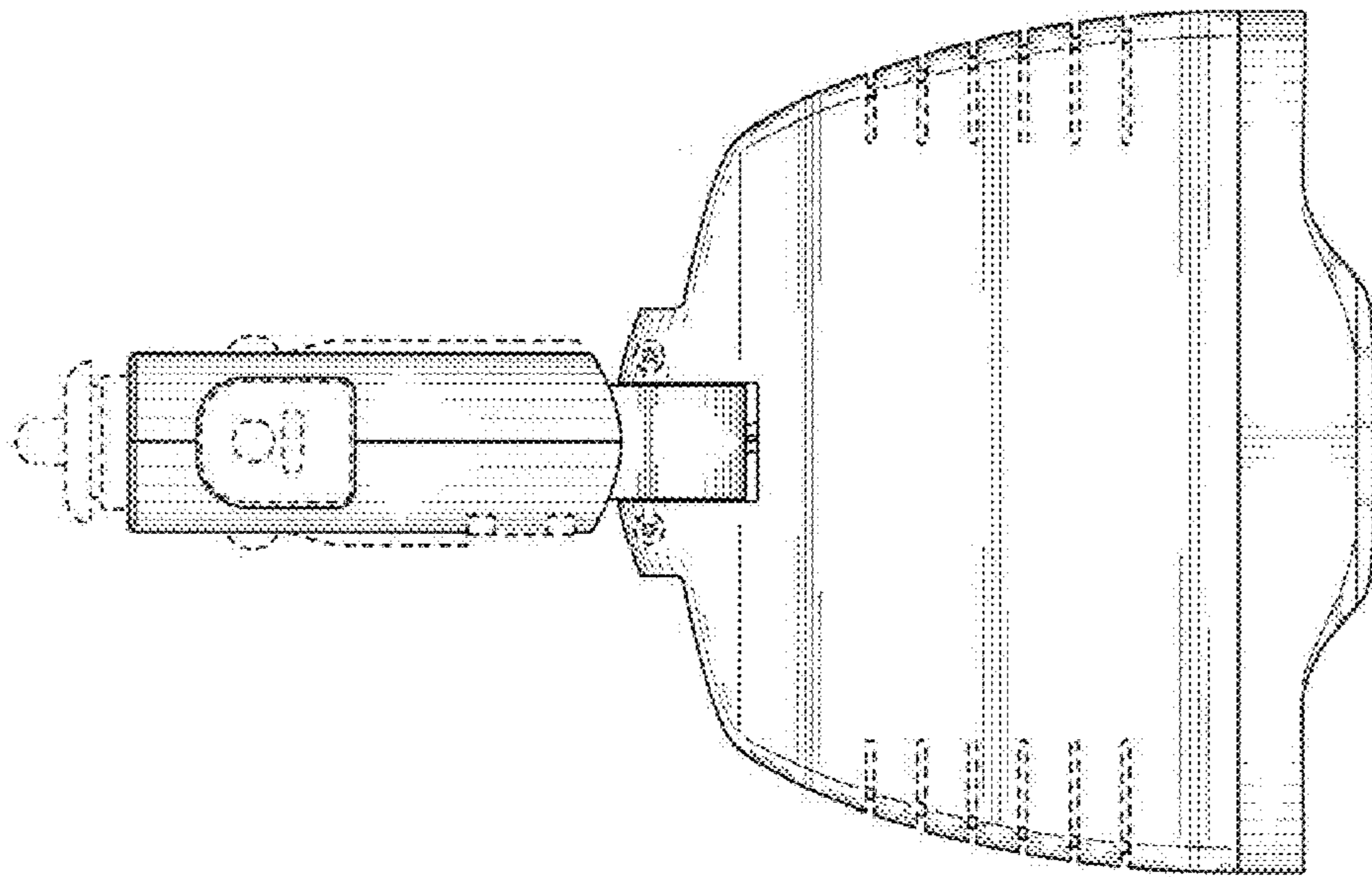


FIG. 7

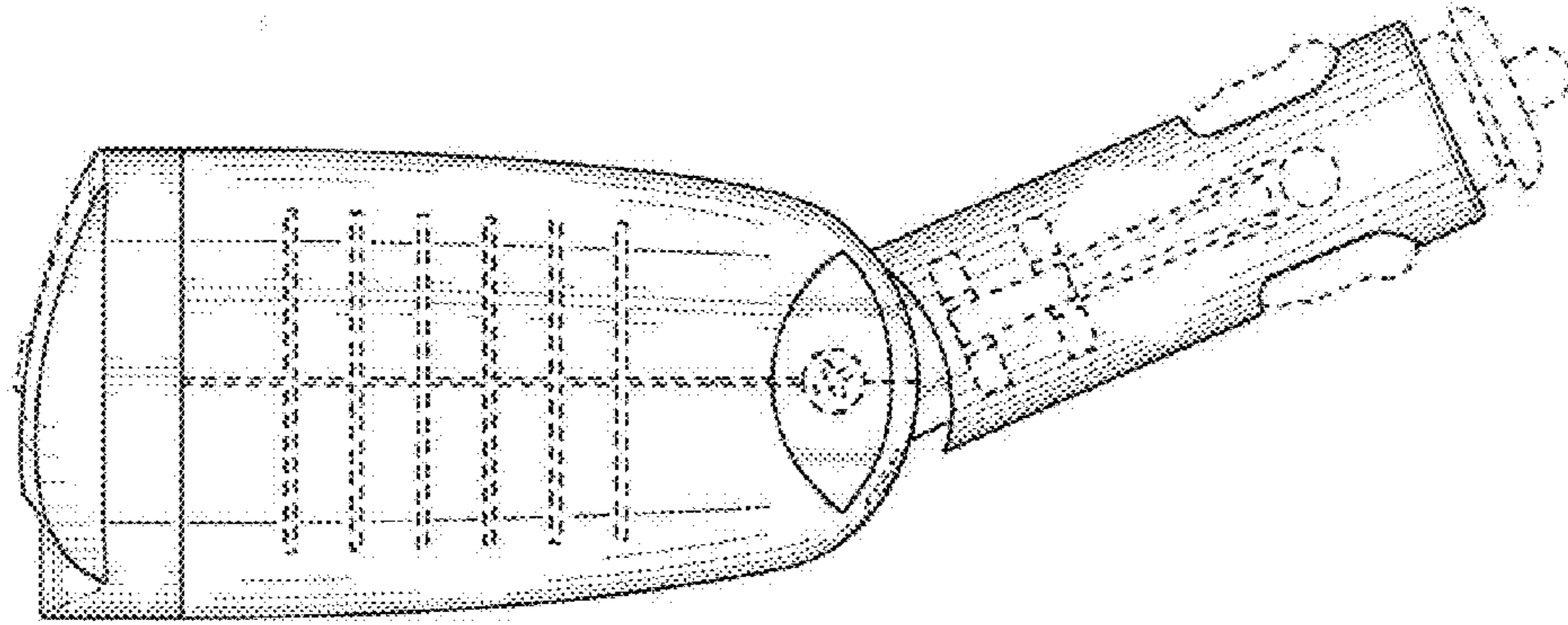


FIG. 8

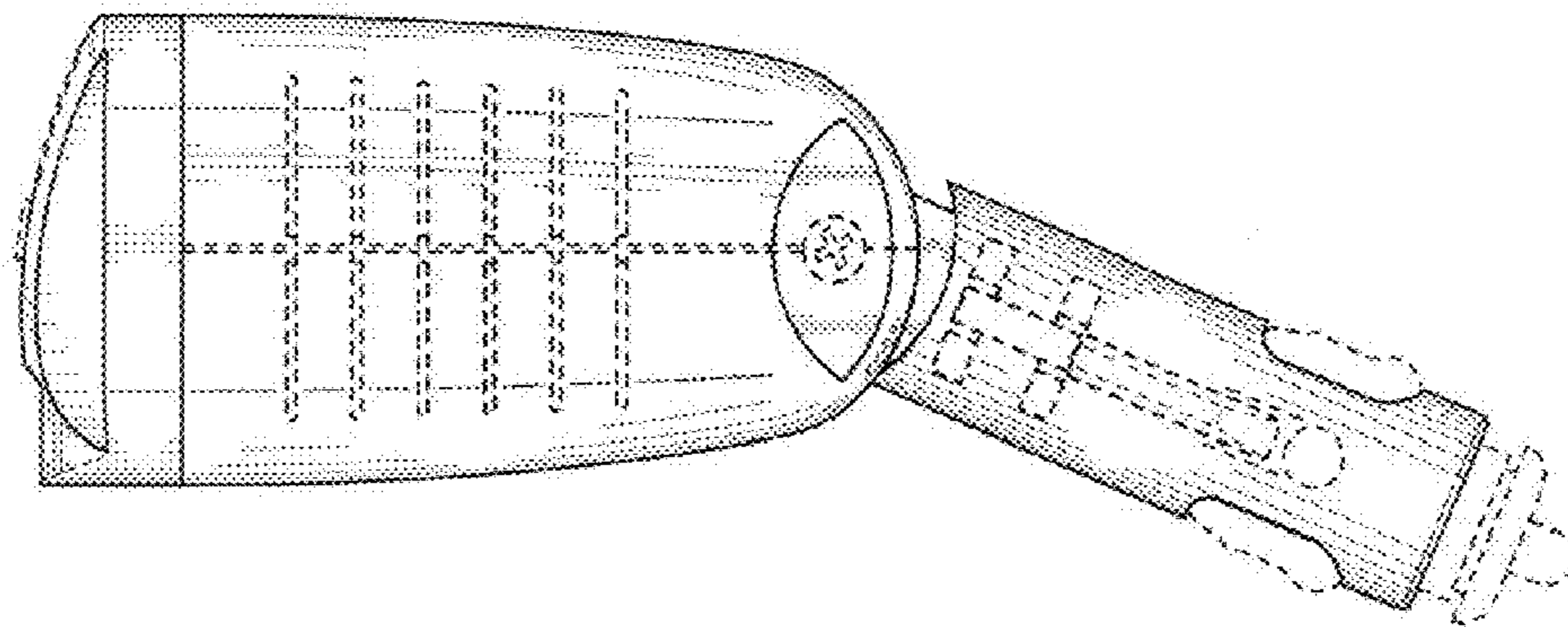


FIG. 9