

US00D544439S

(12) **United States Design Patent**  
**Hussaini et al.**

(10) **Patent No.:** **US D544,439 S**

(45) **Date of Patent:** **\*\* Jun. 12, 2007**

(54) **POWER INVERTER**

(75) Inventors: **Saied Hussaini**, Miami, FL (US); **Marc Iacovelli**, Miami, FL (US)

(73) Assignee: **I-Tec Electronics Inc.**, Miami, FL (US)

(\*\*) Term: **14 Years**

(21) Appl. No.: **29/261,268**

(22) Filed: **Jun. 12, 2006**

(51) **LOC (8) Cl.** ..... **09-03**

(52) **U.S. Cl.** ..... **D13/110**

(58) **Field of Classification Search** ..... D13/110,  
D13/107, 144, 199; D14/240; 307/10.1,  
307/150, 151; 363/146

See application file for complete search history.

(56) **References Cited**

**U.S. PATENT DOCUMENTS**

5,170,067	A *	12/1992	Baum et al.	.....	307/10.1
D455,712	S *	4/2002	Hsiao	.....	D13/108
D465,781	S *	11/2002	Fischer	.....	D14/240
D469,400	S *	1/2003	Shor et al.	.....	D13/107
D480,054	S *	9/2003	Schwimmer	.....	D13/160
D482,654	S *	11/2003	Shor et al.	.....	D13/110
D494,542	S *	8/2004	Hriscu et al.	.....	D13/110

\* cited by examiner

*Primary Examiner*—Prabhakar Deshmukh

*Assistant Examiner*—Derrick Holland

(74) *Attorney, Agent, or Firm*—Berenato, White & Stavish

(57) **CLAIM**

The ornamental design for a power inverter, as shown and described.

**DESCRIPTION**

FIG. 1 is a perspective view of the power inverter according to the present invention.

FIG. 2 is a front view of the power inverter of FIG. 1.

FIG. 3 is a rear view of the power inverter of FIG. 1.

FIG. 4 is a right side view of the power inverter of FIG. 1.

FIG. 5 is a left side view of the power inverter of FIG. 1.

FIG. 6 is a top view of the power inverter of FIG. 1.

FIG. 7 is a bottom view of the power inverter of FIG. 1.

FIG. 8 is a right side view of the power inverter in an alternate configuration; and,

FIG. 9 is a left side view of the power inverter in an alternate configuration.

**1 Claim, 5 Drawing Sheets**

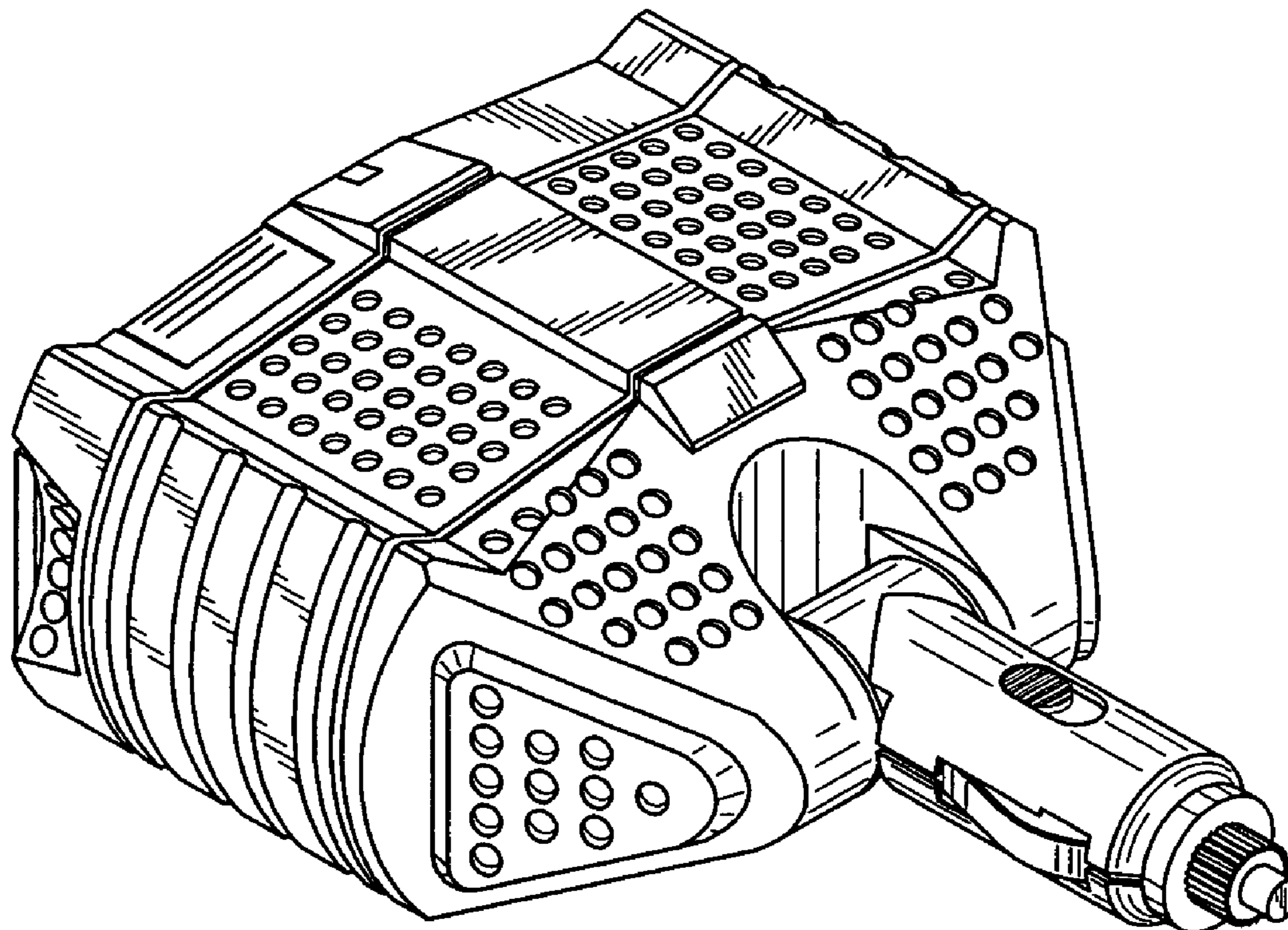


Fig. 1

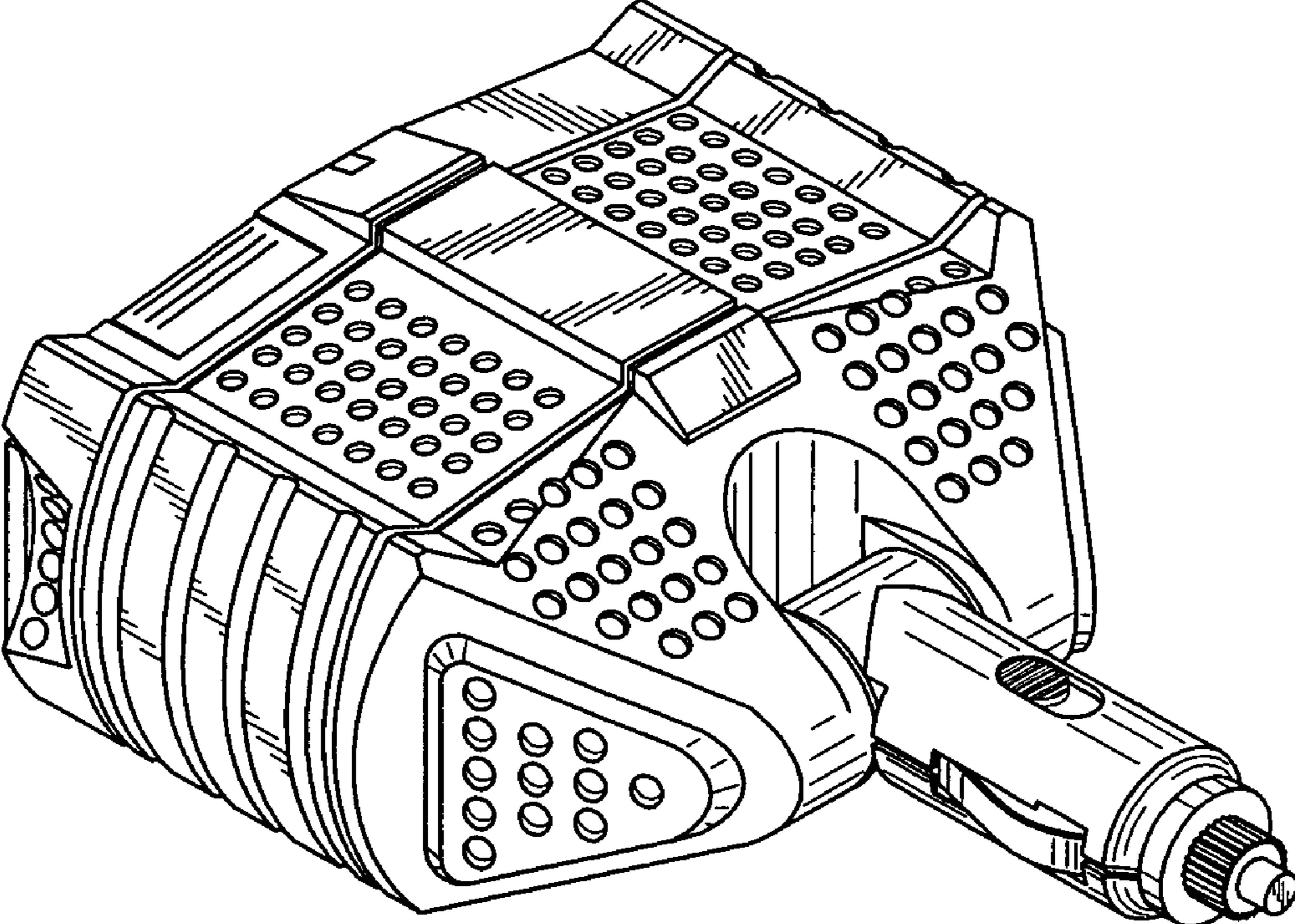


Fig. 2

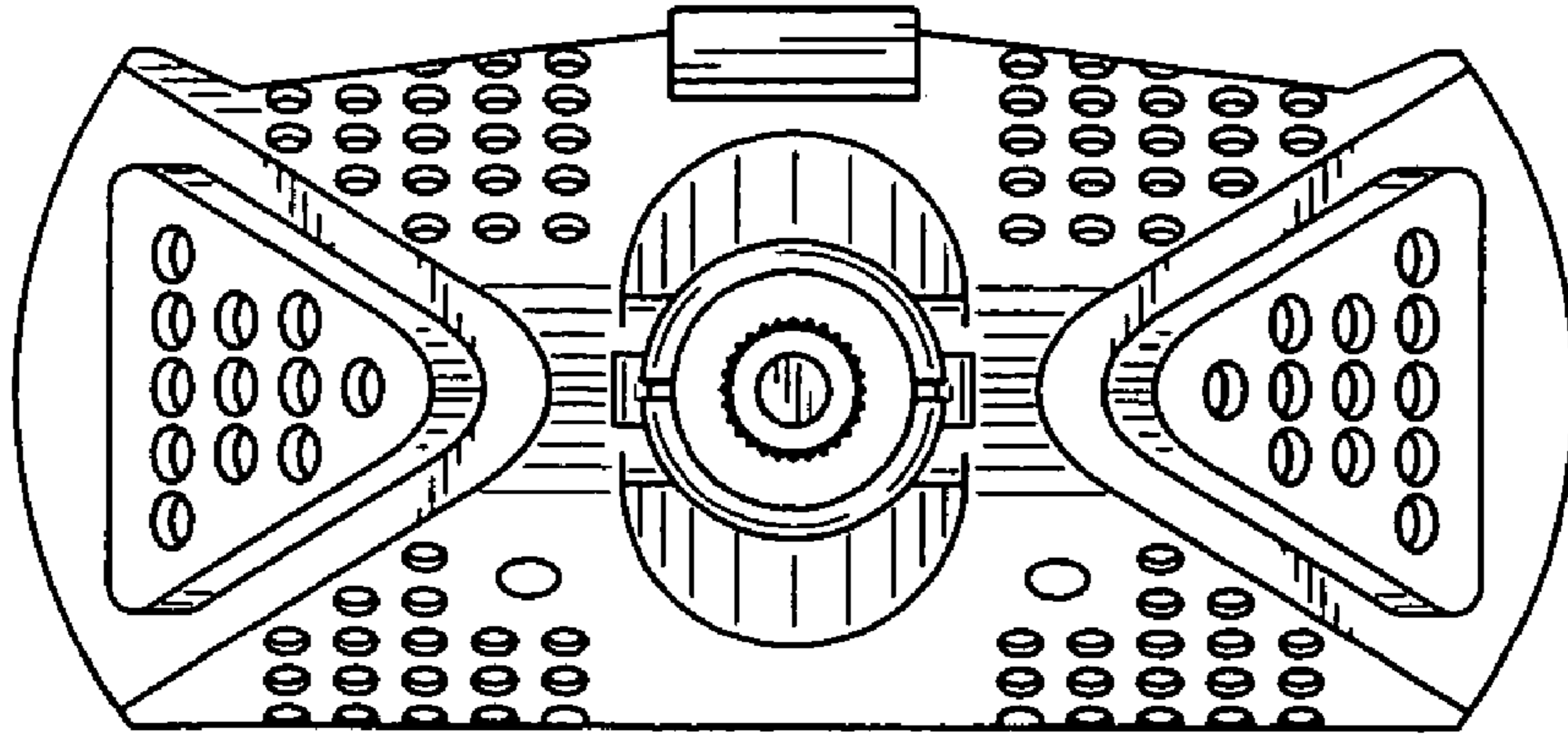


Fig. 3

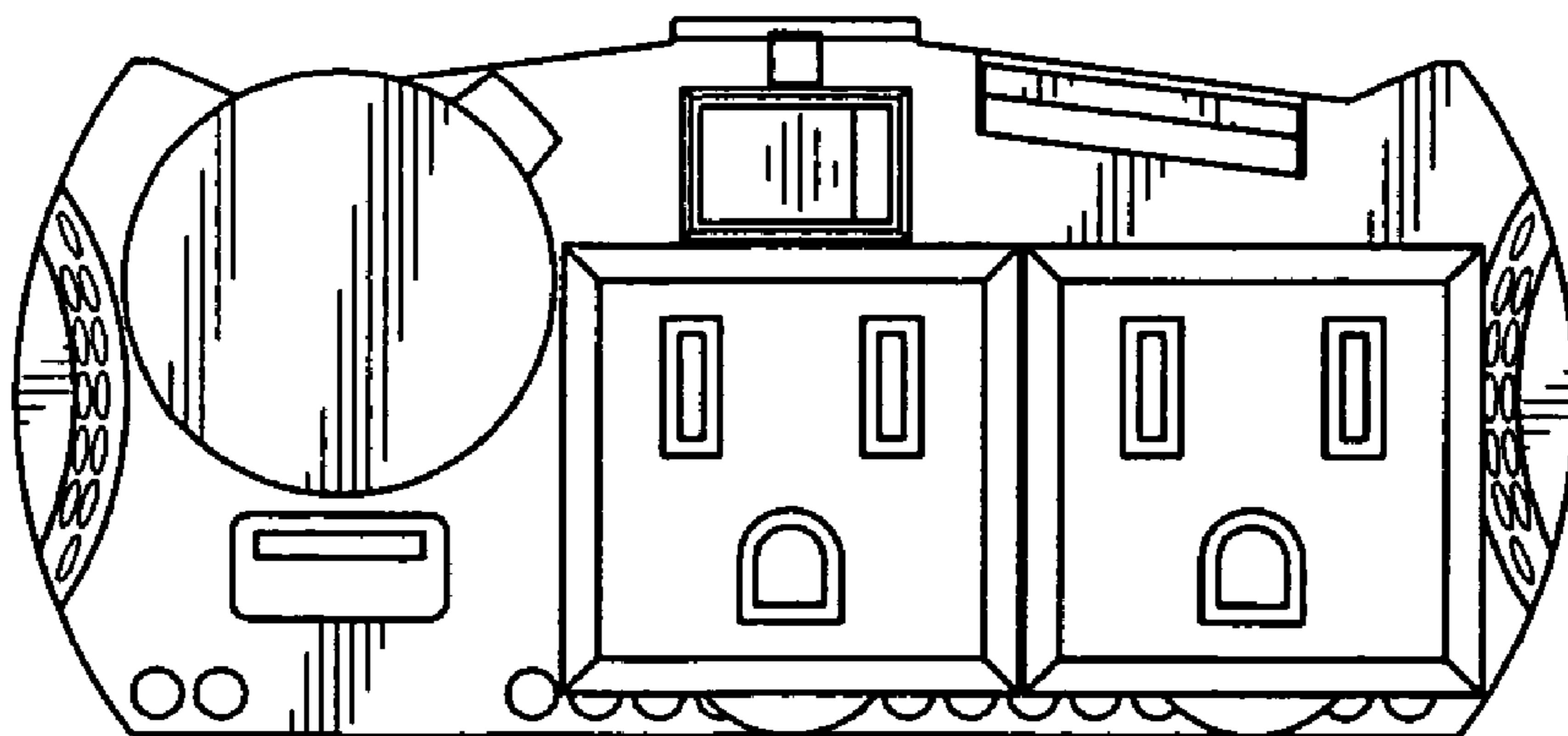


Fig. 4

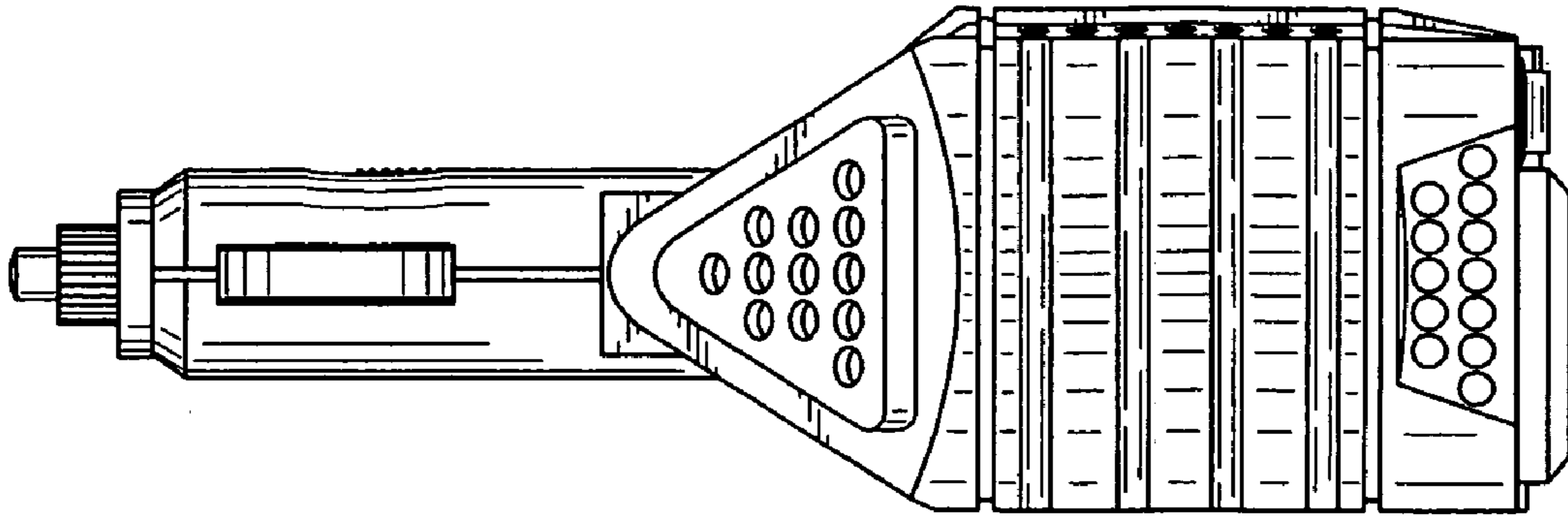


Fig. 5

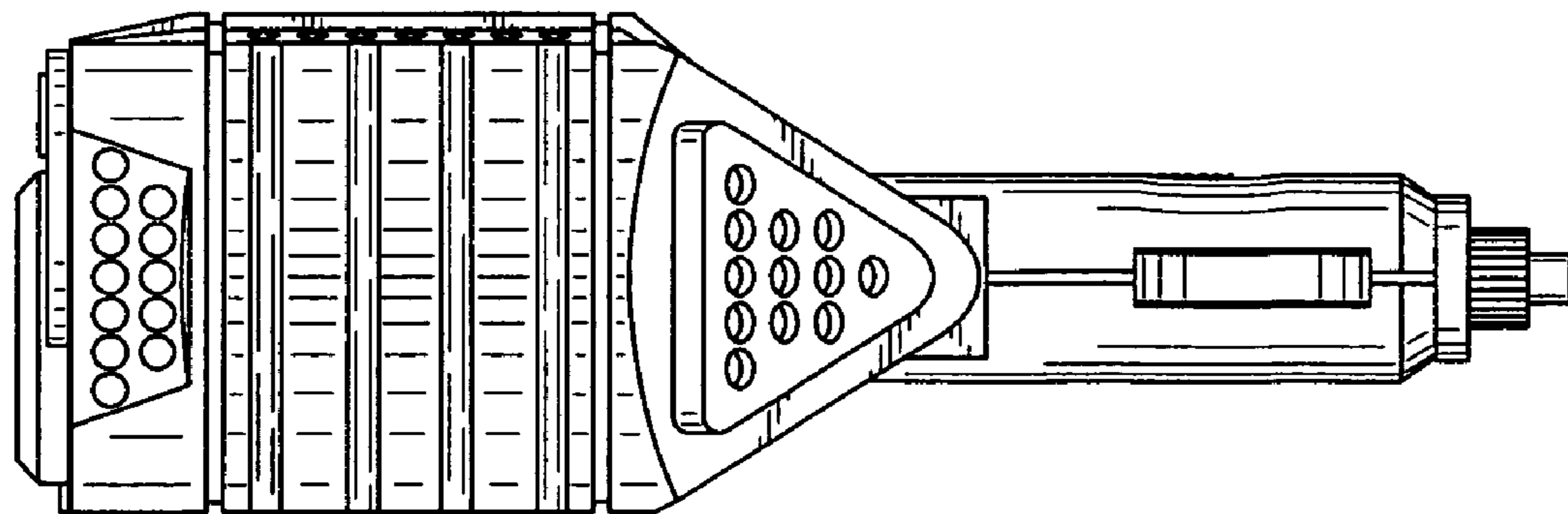


Fig. 7

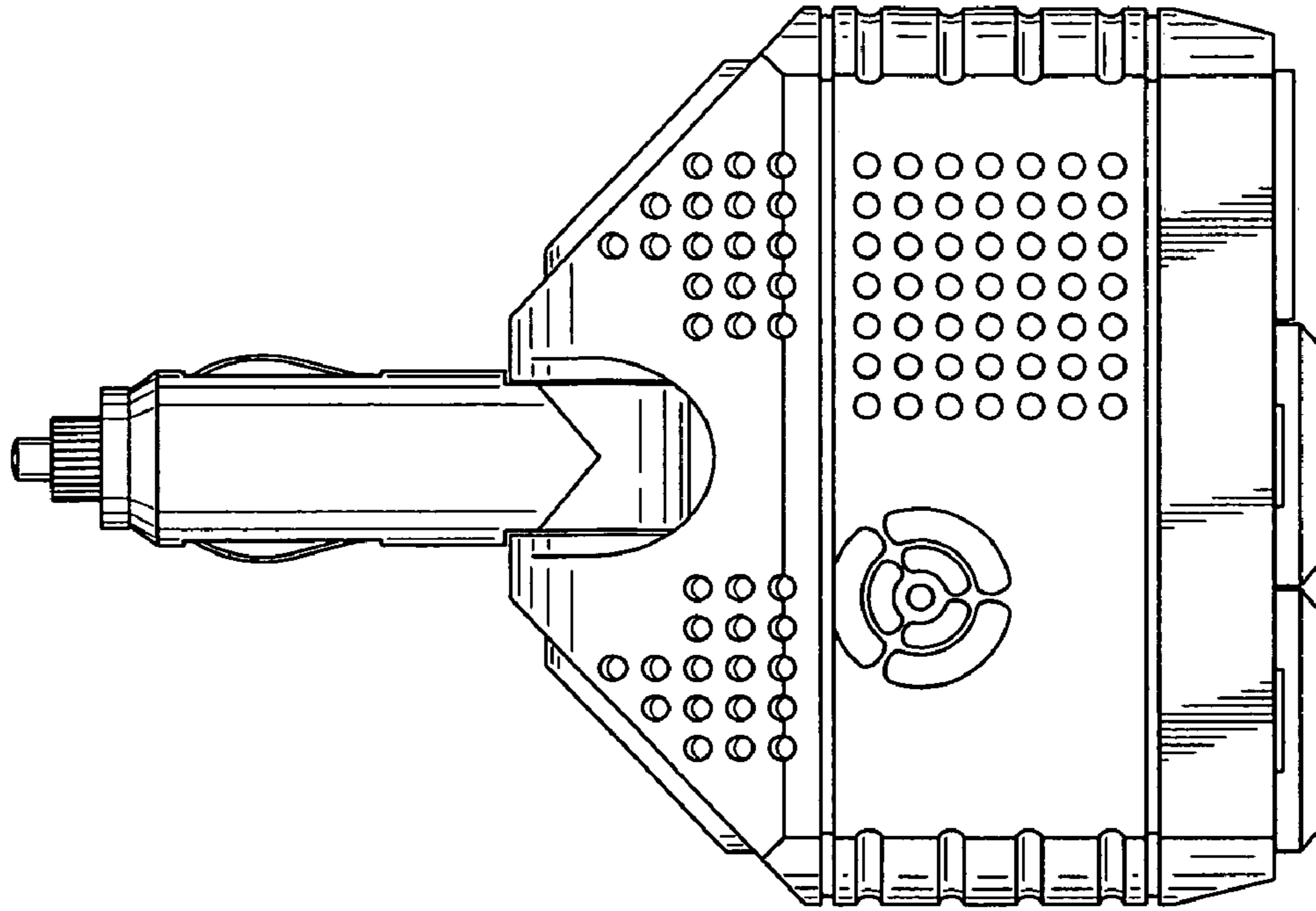


Fig. 6

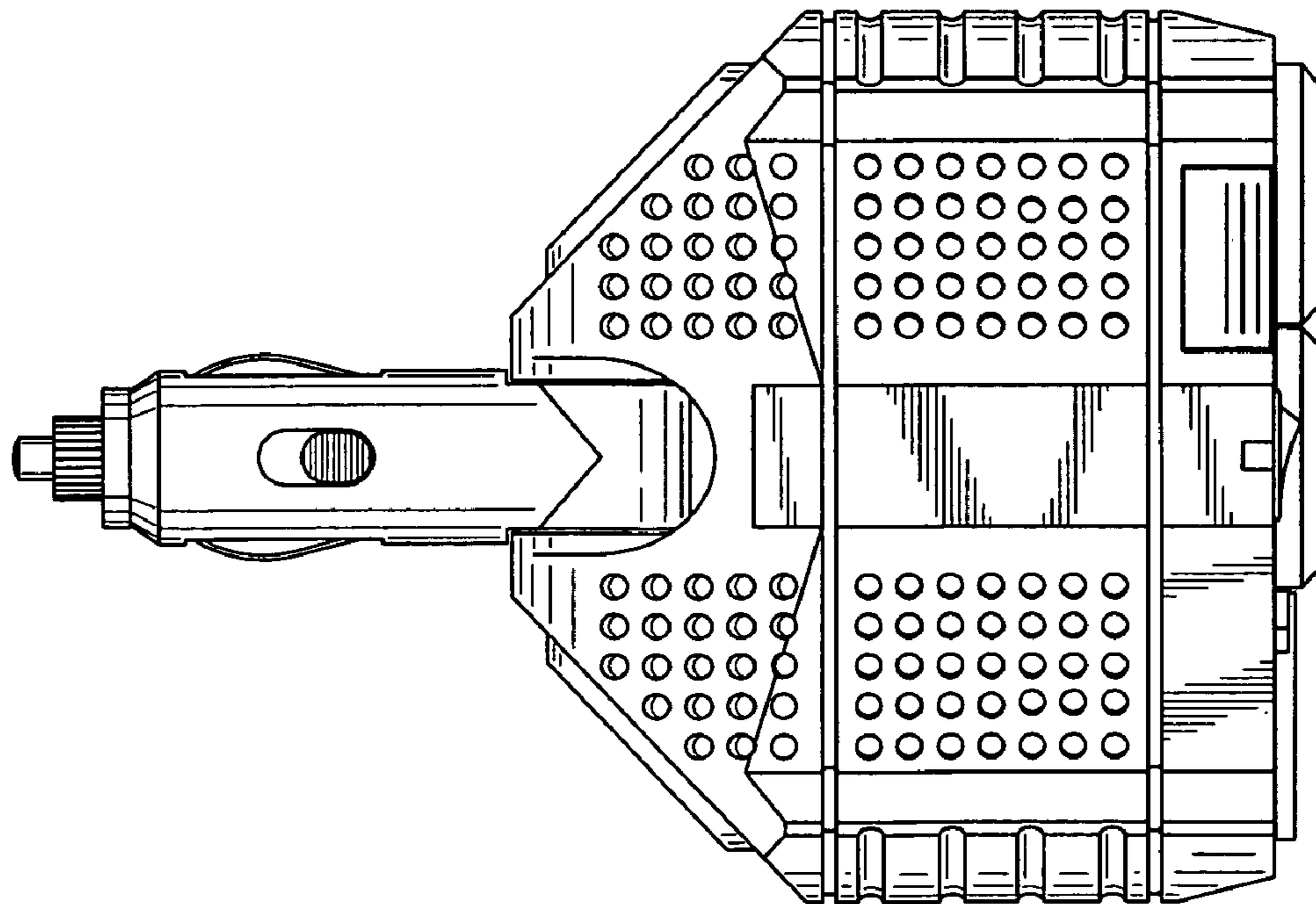


Fig. 8

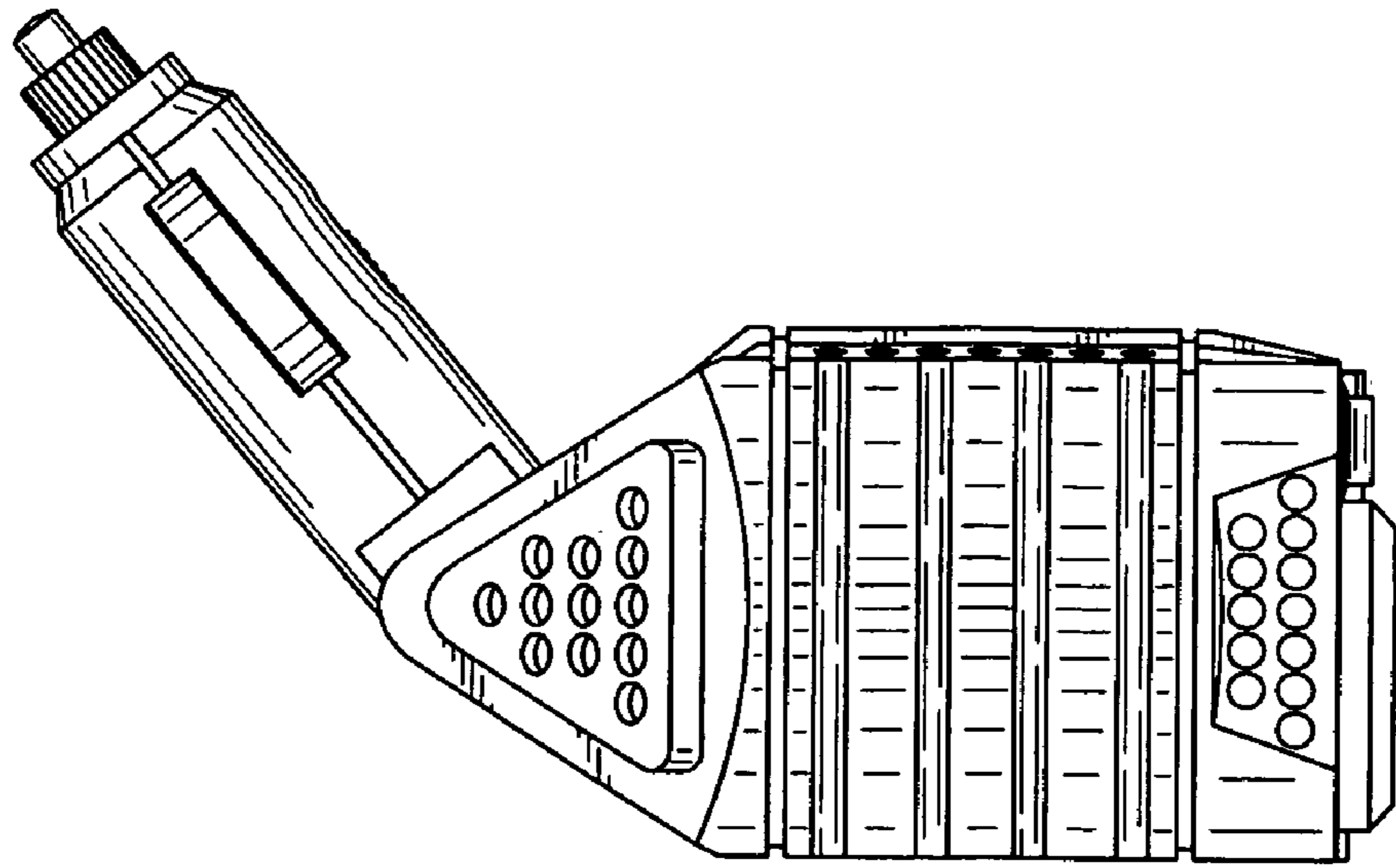


Fig. 9

