



US00D544438S

(12) **United States Design Patent**  
**Hussaini et al.**

(10) **Patent No.:** **US D544,438 S**

(45) **Date of Patent:** **\*\* Jun. 12, 2007**

(54) **POWER INVERTER**

D496,629 S \* 9/2004 Hriscu et al. .... D13/110

(75) Inventors: **Saied Hussaini**, Miami, FL (US); **Marc Iacovelli**, Miami, FL (US)

\* cited by examiner

*Primary Examiner*—Prabhakar Deshmukh

*Assistant Examiner*—Derrick Holland

(73) Assignee: **Intec, Inc.**, Miami, FL (US)

(74) *Attorney, Agent, or Firm*—Berenato, White & Stavish

(\*\*) Term: **14 Years**

(57) **CLAIM**

(21) Appl. No.: **29/259,357**

The ornamental design for a power inverter, as shown and described.

(22) Filed: **May 8, 2006**

(51) **LOC (8) Cl.** ..... **13-02**

(52) **U.S. Cl.** ..... **D13/110**

(58) **Field of Classification Search** ..... D13/110,  
D13/123, 184, 199; 337/186; 361/600,  
361/601, 730; 363/141, 142  
See application file for complete search history.

**DESCRIPTION**

FIG. 1 is a front elevational perspective view of the power inverter according to the present invention.

FIG. 2 is a front View of the power inverter of FIG. 1.

FIG. 3 is a rear view of the power inverter of FIG. 1.

FIG. 4 is a right side view of the power inverter of FIG. 1.

FIG. 5 is a left side view of the power inverter of FIG. 1.

FIG. 6 is a top view of the power inverter of FIG. 1; and,

FIG. 7 is a bottom view of the power inverter of FIG. 1.

The broken lines shown are for illustrative purposes and form no part of the claimed design.

(56) **References Cited**

**U.S. PATENT DOCUMENTS**

4,872,102	A *	10/1989	Getter	.....	363/141
5,497,289	A *	3/1996	Sugishima et al.	.....	361/709
D426,810	S *	6/2000	Wei	.....	D13/110
D427,148	S *	6/2000	Wei	.....	D13/110
D427,969	S *	7/2000	Wei	.....	D13/110
D436,918	S *	1/2001	Matsuda	.....	D13/110

**1 Claim, 4 Drawing Sheets**

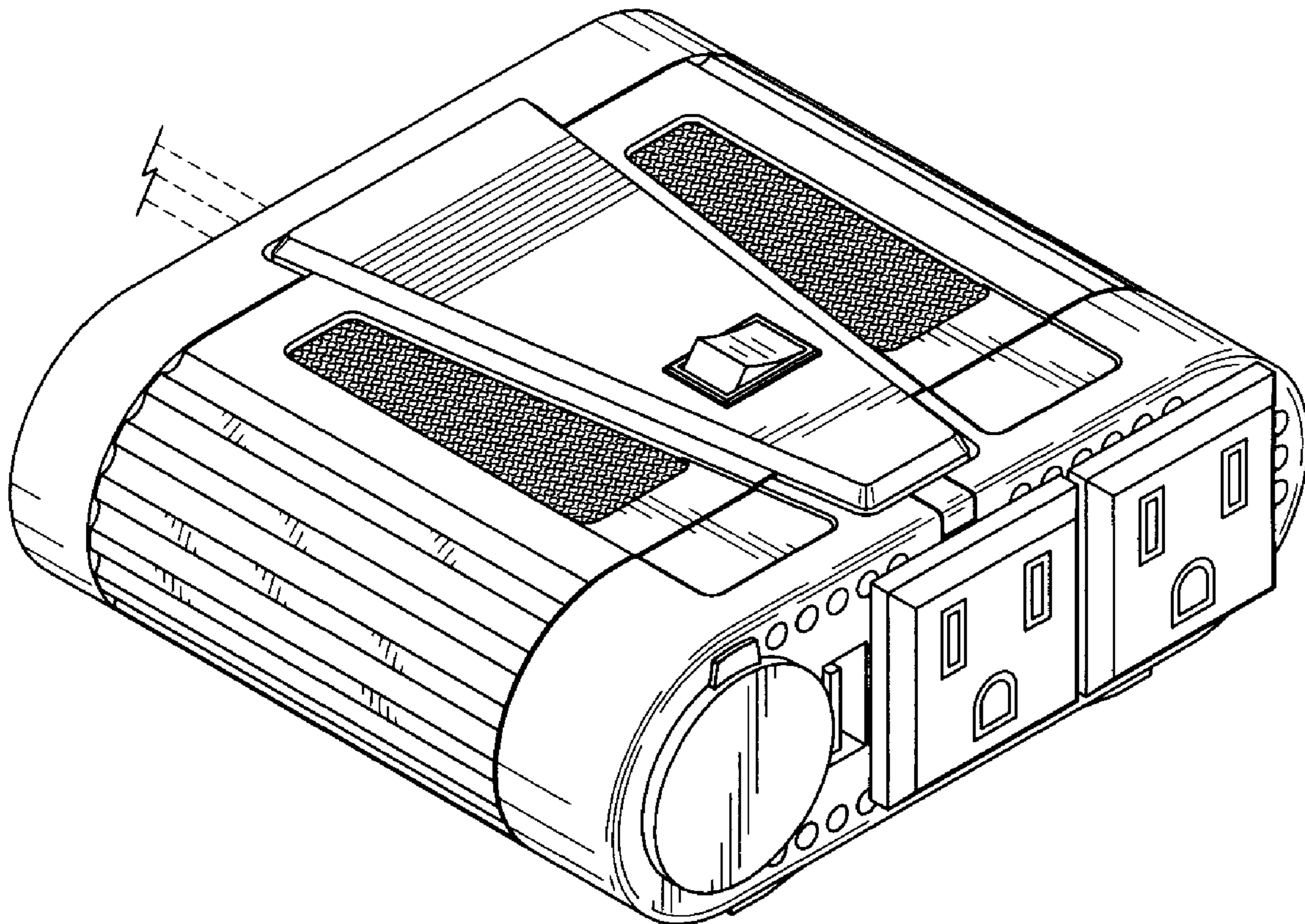


Fig. 1

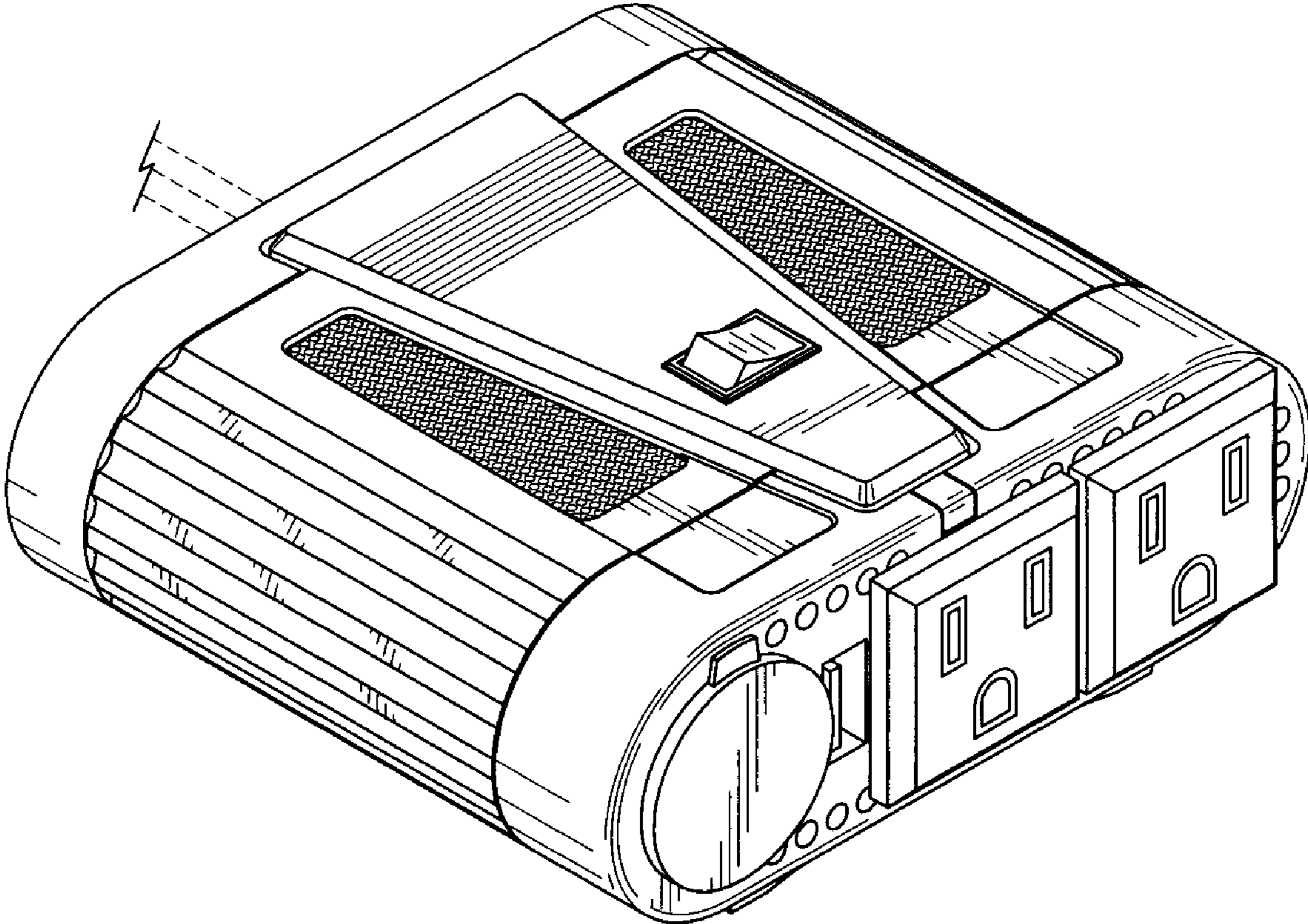


Fig. 2

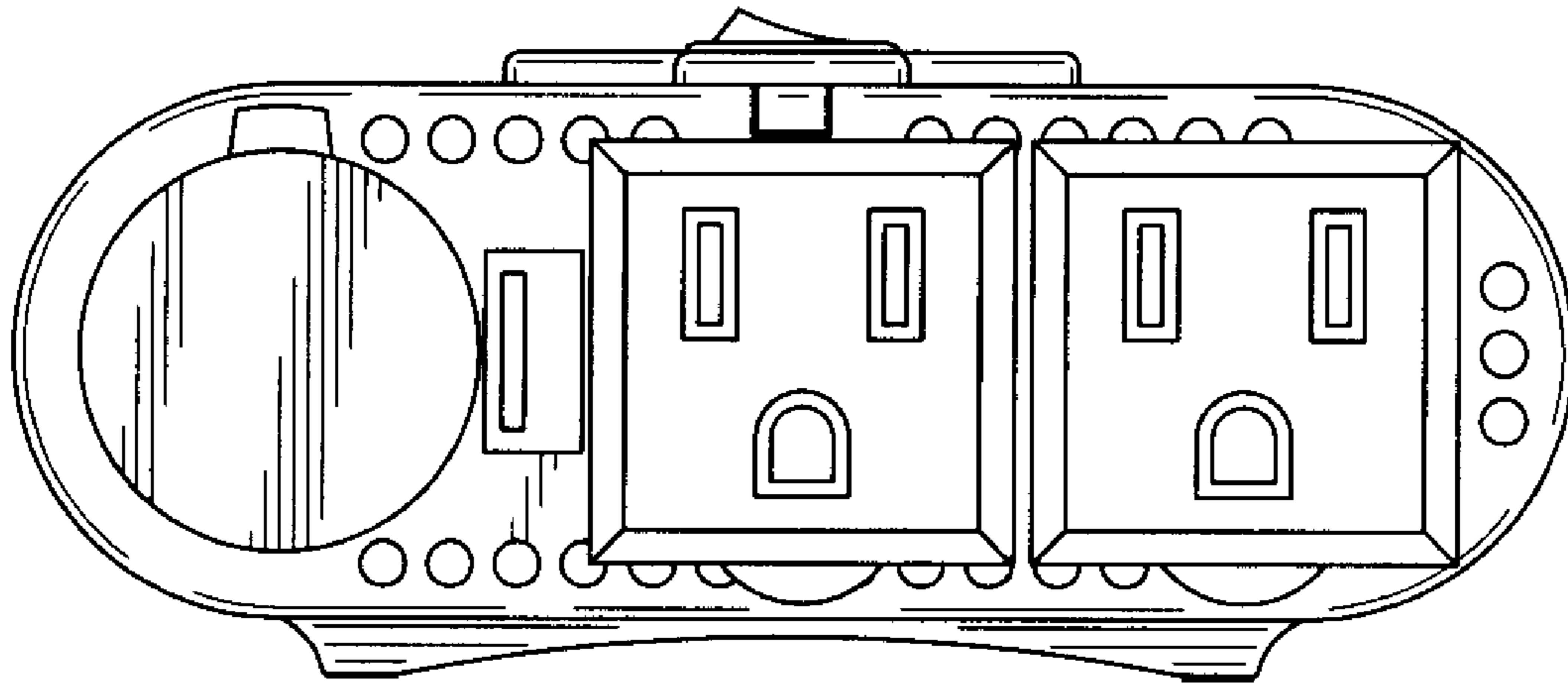


Fig. 3

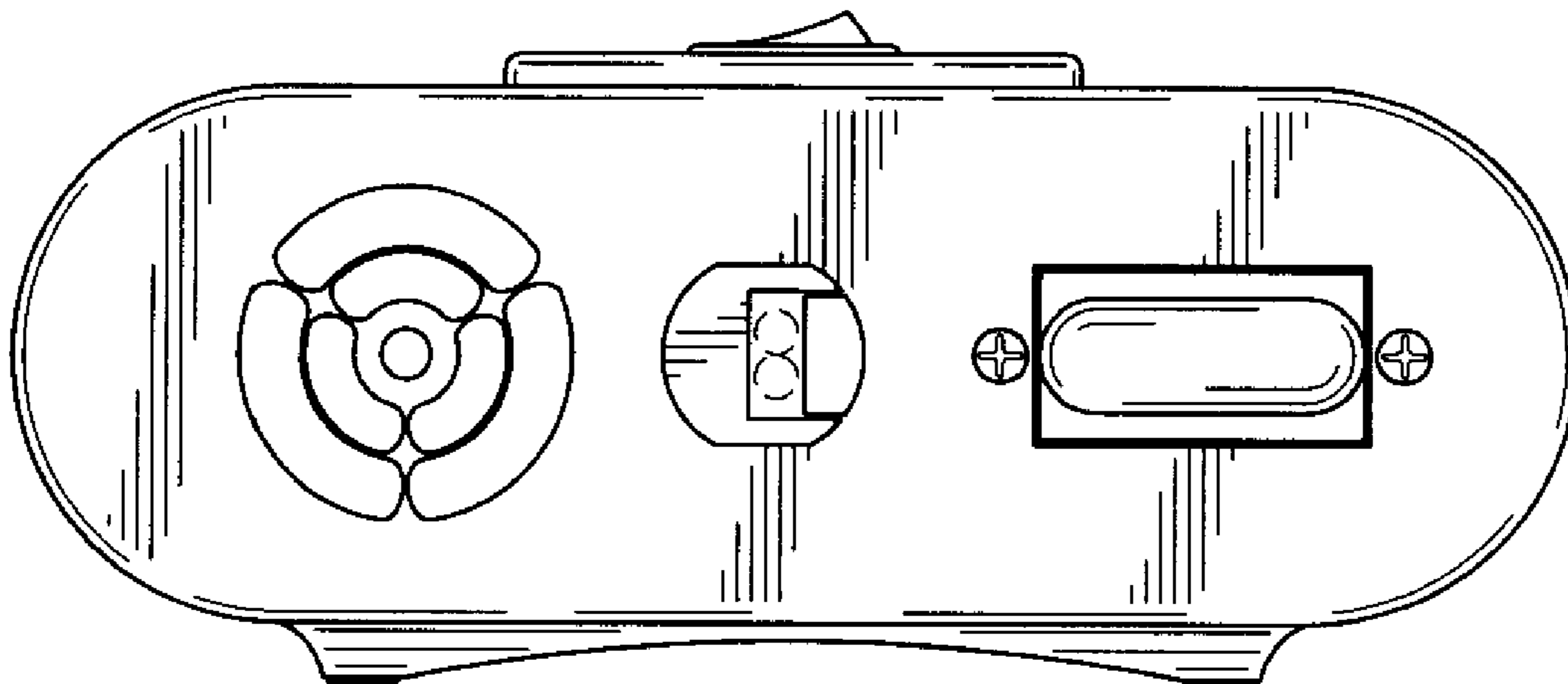


Fig. 4

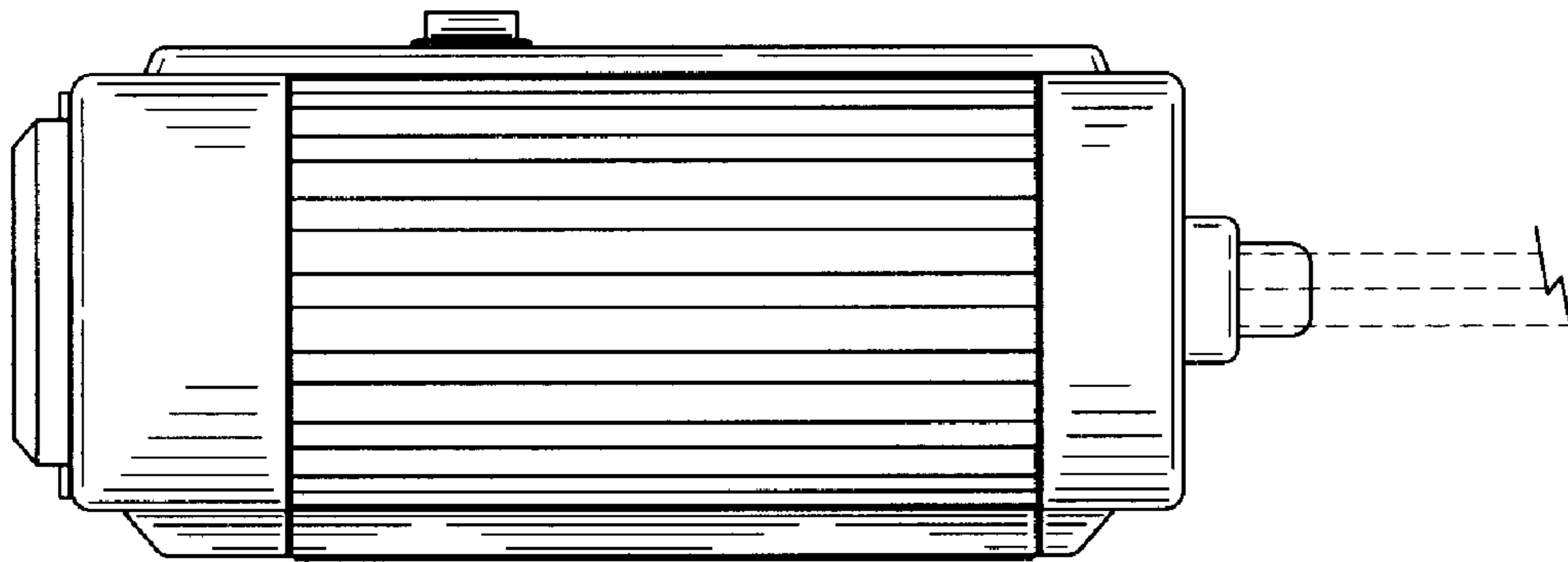


Fig. 5

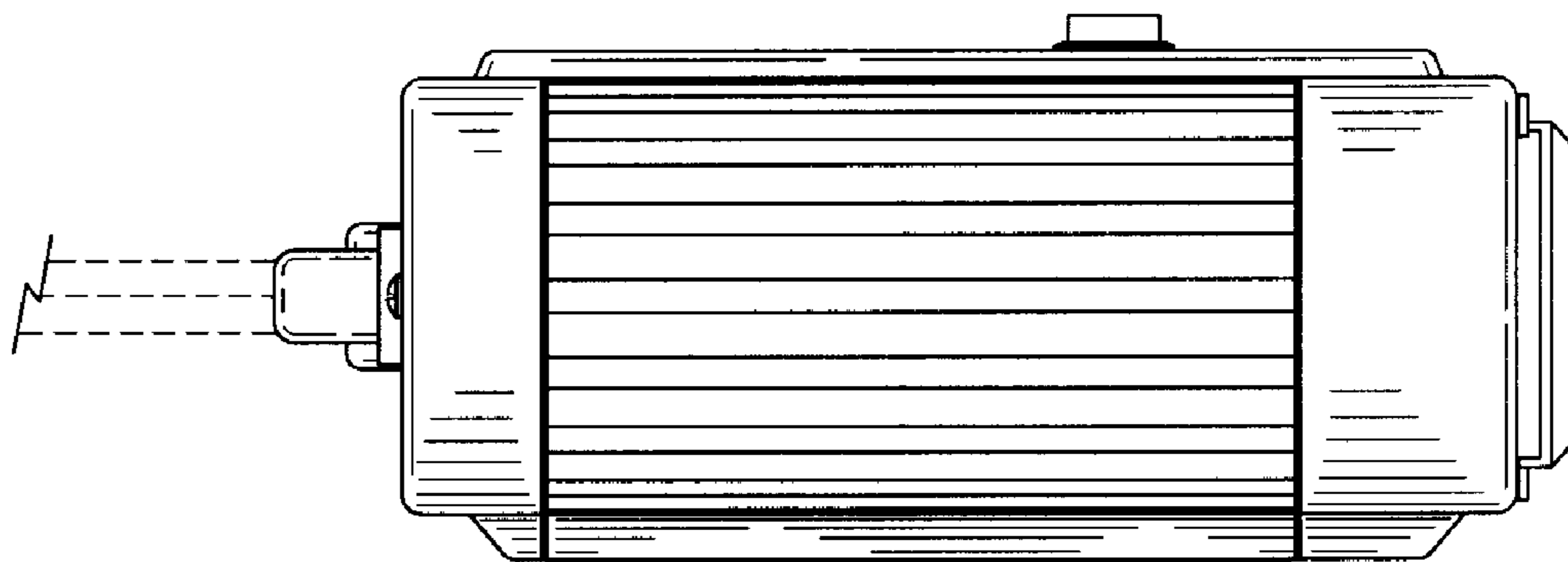


Fig. 7

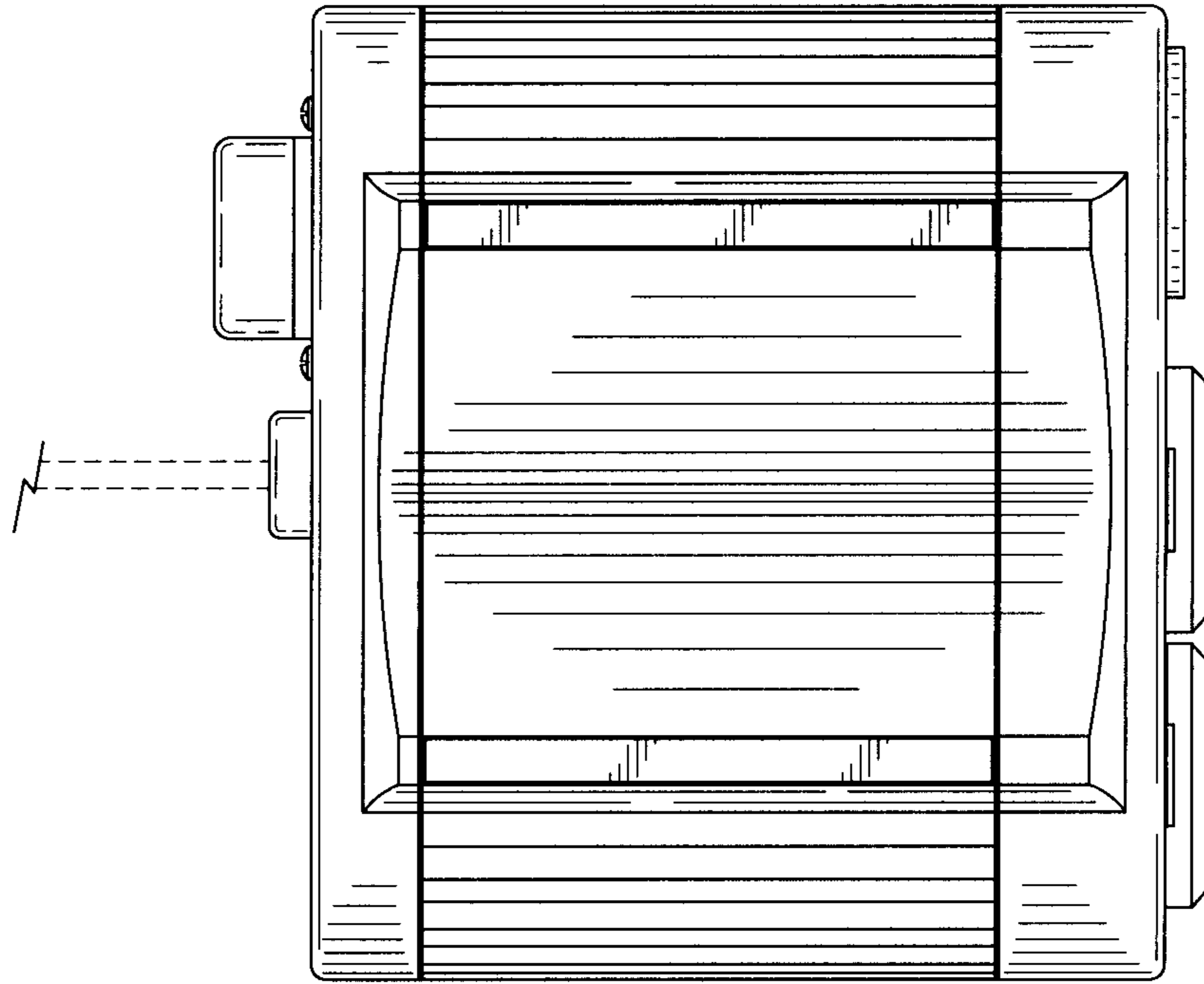


Fig. 6

