

US00D544436S

(12) **United States Design Patent**
Kawahara et al.

(10) **Patent No.:** **US D544,436 S**

(45) **Date of Patent:** **** Jun. 12, 2007**

(54) **BATTERY PACK**

(75) Inventors: **Tomoyuki Kawahara**, Hitachinaka (JP); **Masanori Okada**, Hitachinaka (JP); **Masato Sakai**, Hitachinaka (JP); **Kazunobu Yoshimura**, Hitachinaka (JP)

(73) Assignee: **Hitachi Koki, Co., Ltd.**, Tokyo (JP)

(**) Term: **14 Years**

(21) Appl. No.: **29/262,532**

(22) Filed: **Jul. 6, 2006**

(30) **Foreign Application Priority Data**

Jan. 6, 2006 (JP) 2006-000148

(51) **LOC (8) Cl.** **13-02**

(52) **U.S. Cl.** **D13/103**

(58) **Field of Classification Search** D13/102-106,
D13/110, 118-119, 184; 429/96-100, 163,
429/176

See application file for complete search history.

(56) **References Cited**

U.S. PATENT DOCUMENTS

- D321,338 S * 11/1991 Sakamoto et al. D13/103
- D384,639 S * 10/1997 Kawakami et al. D13/103
- D387,728 S * 12/1997 Kawakami et al. D13/103
- D397,991 S * 9/1998 Kawakami et al. D13/103
- D412,485 S * 8/1999 Kato et al. D13/103

- D417,648 S * 12/1999 Clowers et al. D13/103
- 6,007,939 A * 12/1999 Clowers 429/99
- D432,077 S * 10/2000 Zurwelle et al. D13/103
- D474,445 S * 5/2003 Matsuoka et al. D13/103
- D504,111 S * 4/2005 Ozawa et al. D13/103
- D504,394 S * 4/2005 Cheung et al. D13/103
- D510,317 S * 10/2005 Sun D13/103
- D530,270 S * 10/2006 Ozawa et al. D13/103

FOREIGN PATENT DOCUMENTS

JP 1231365 S 2/2005

* cited by examiner

Primary Examiner—Alan P. Douglas

Assistant Examiner—Rosemary K. Tarcza

(74) *Attorney, Agent, or Firm*—Sughrue Mion, PLLC

(57) **CLAIM**

The ornamental design for a battery pack, as shown.

DESCRIPTION

FIG. 1 is a perspective view of the top, rear and left side of a battery pack showing our new design;

FIG. 2 is a front elevational view thereof;

FIG. 3 is a rear elevational view thereof;

FIG. 4 is a top plan view thereof;

FIG. 5 is a bottom plan view thereof;

FIG. 6 is a right side elevational view thereof; and,

FIG. 7 is a left side elevational view thereof.

1 Claim, 4 Drawing Sheets

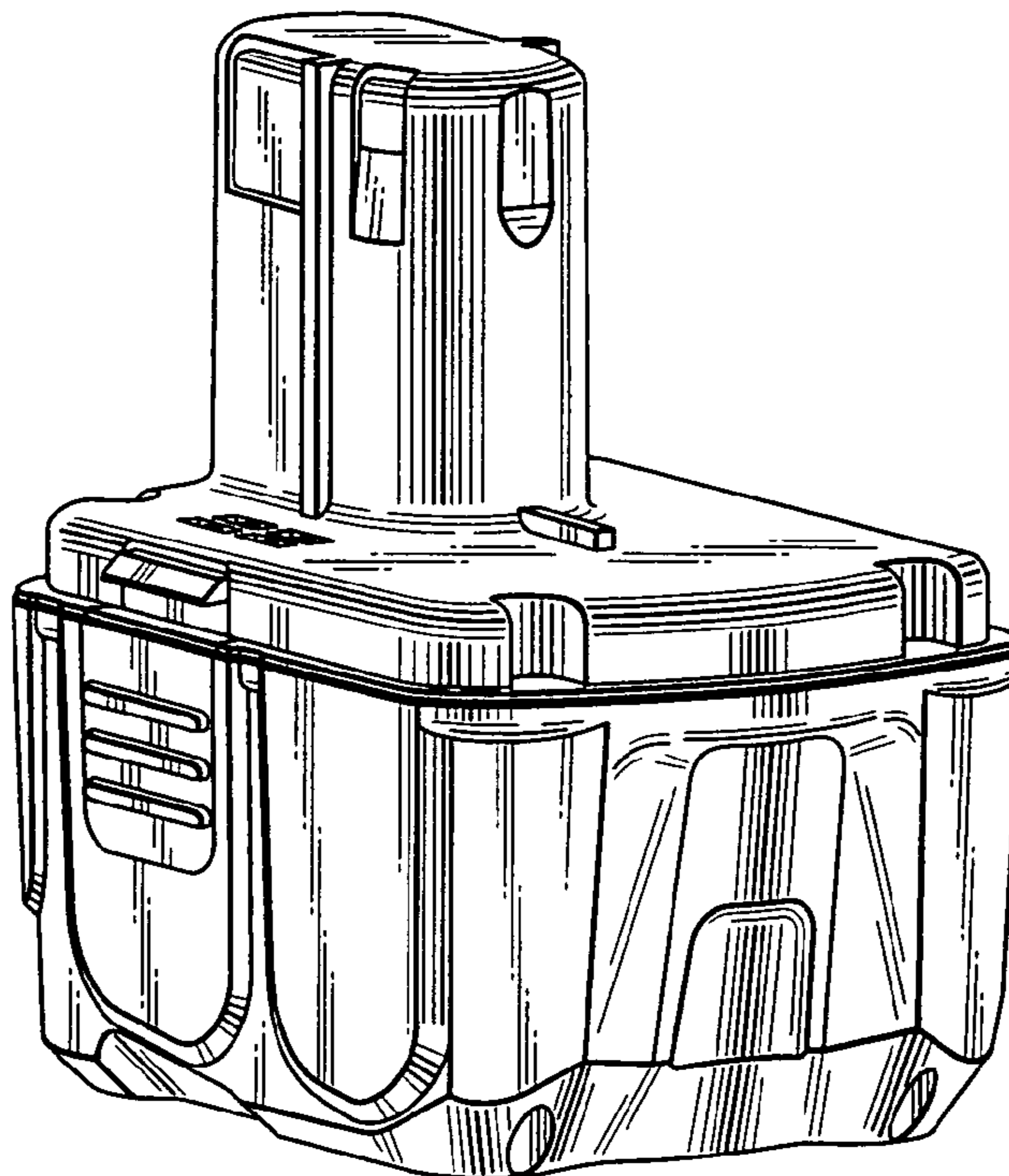


FIG. 1

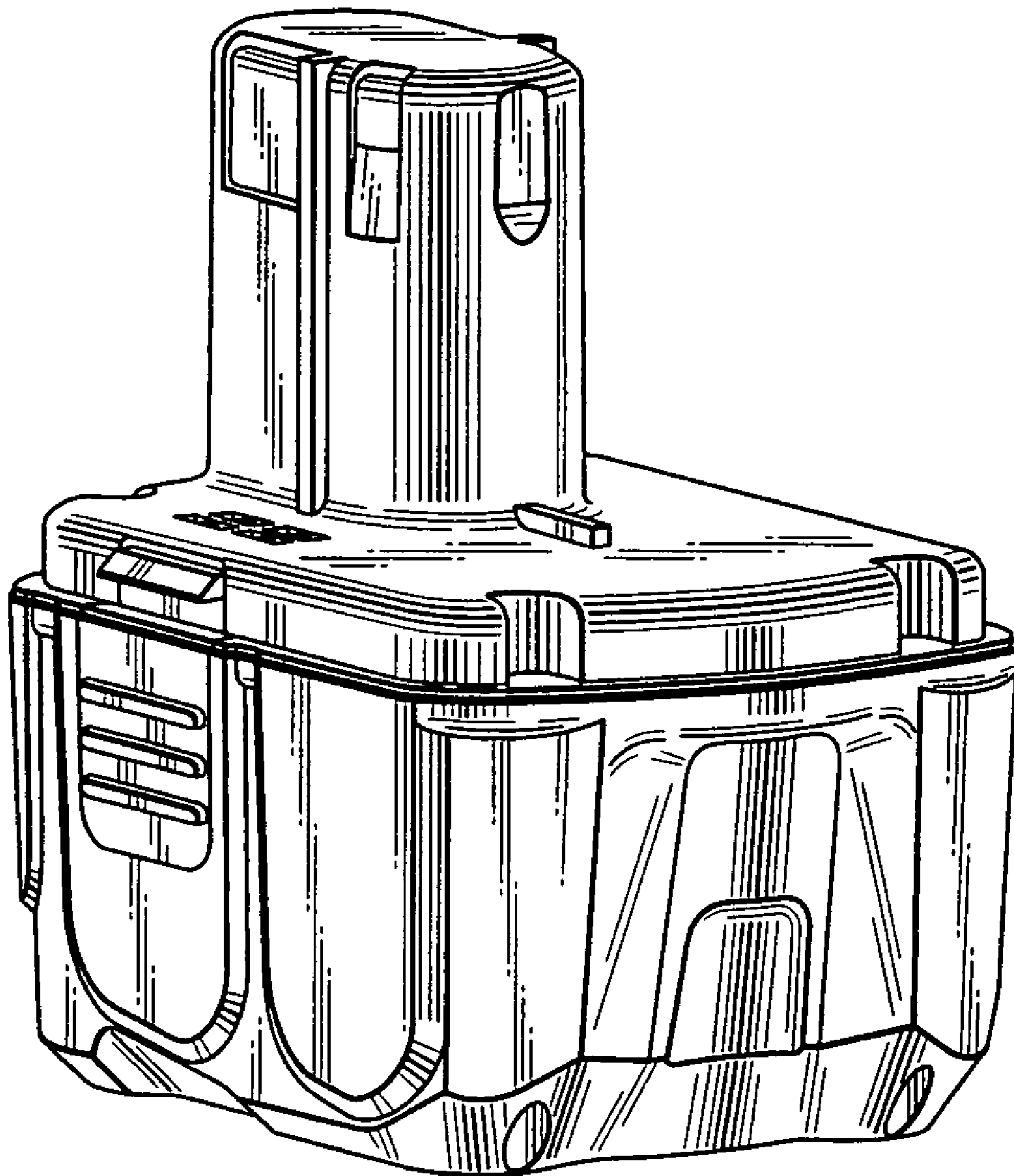


FIG.2

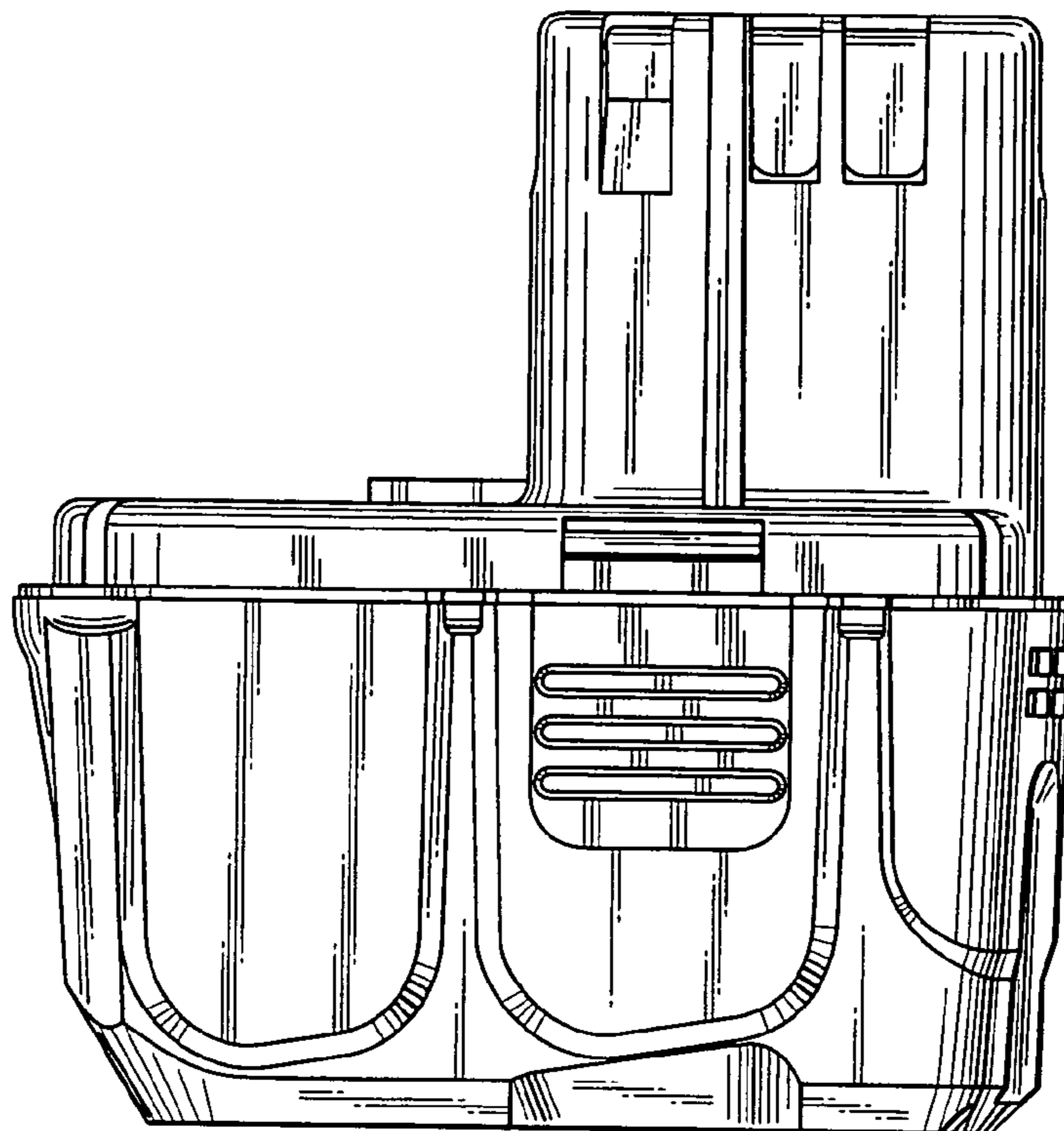


FIG.3

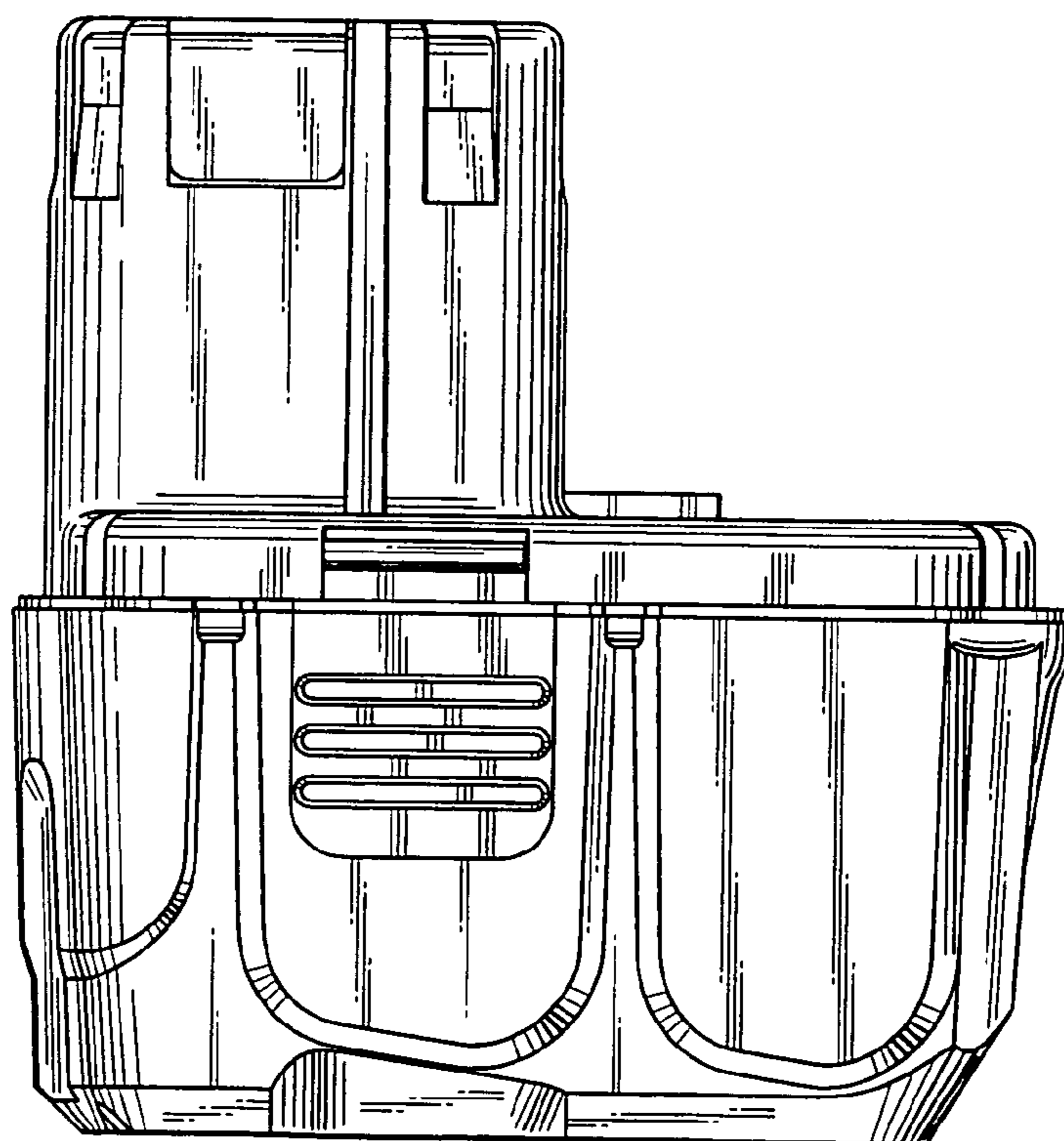


FIG.4

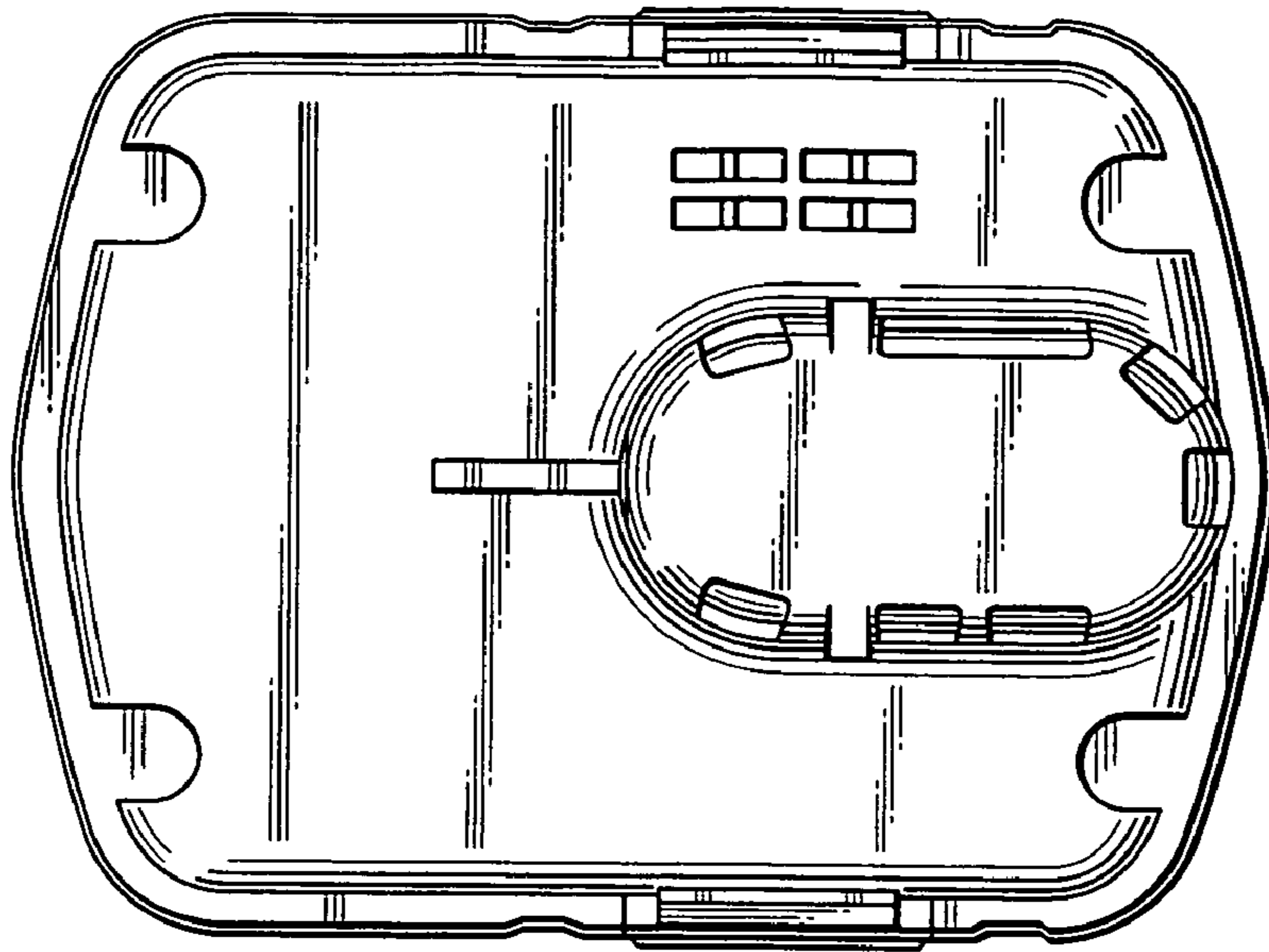


FIG.5

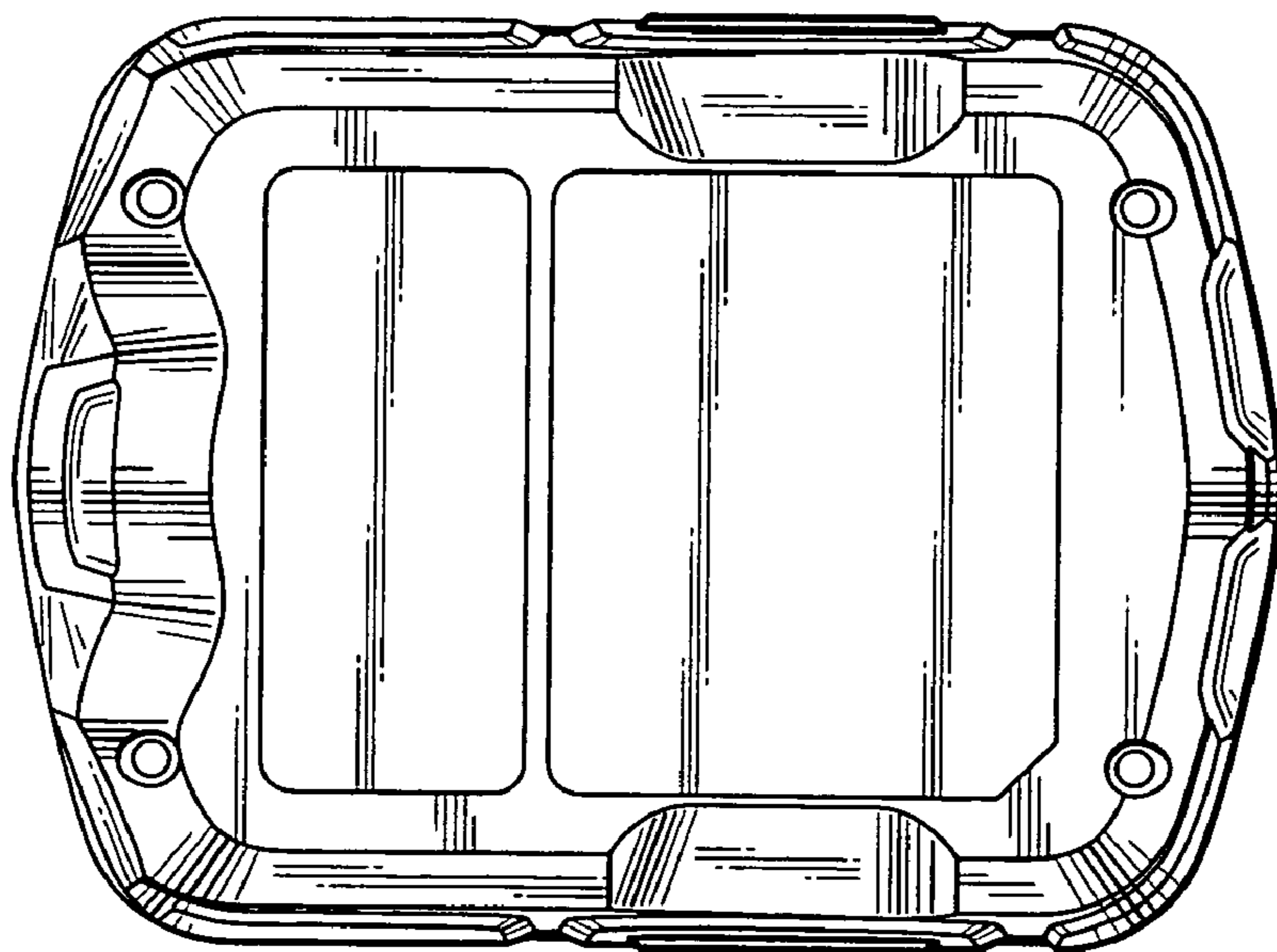


FIG.6

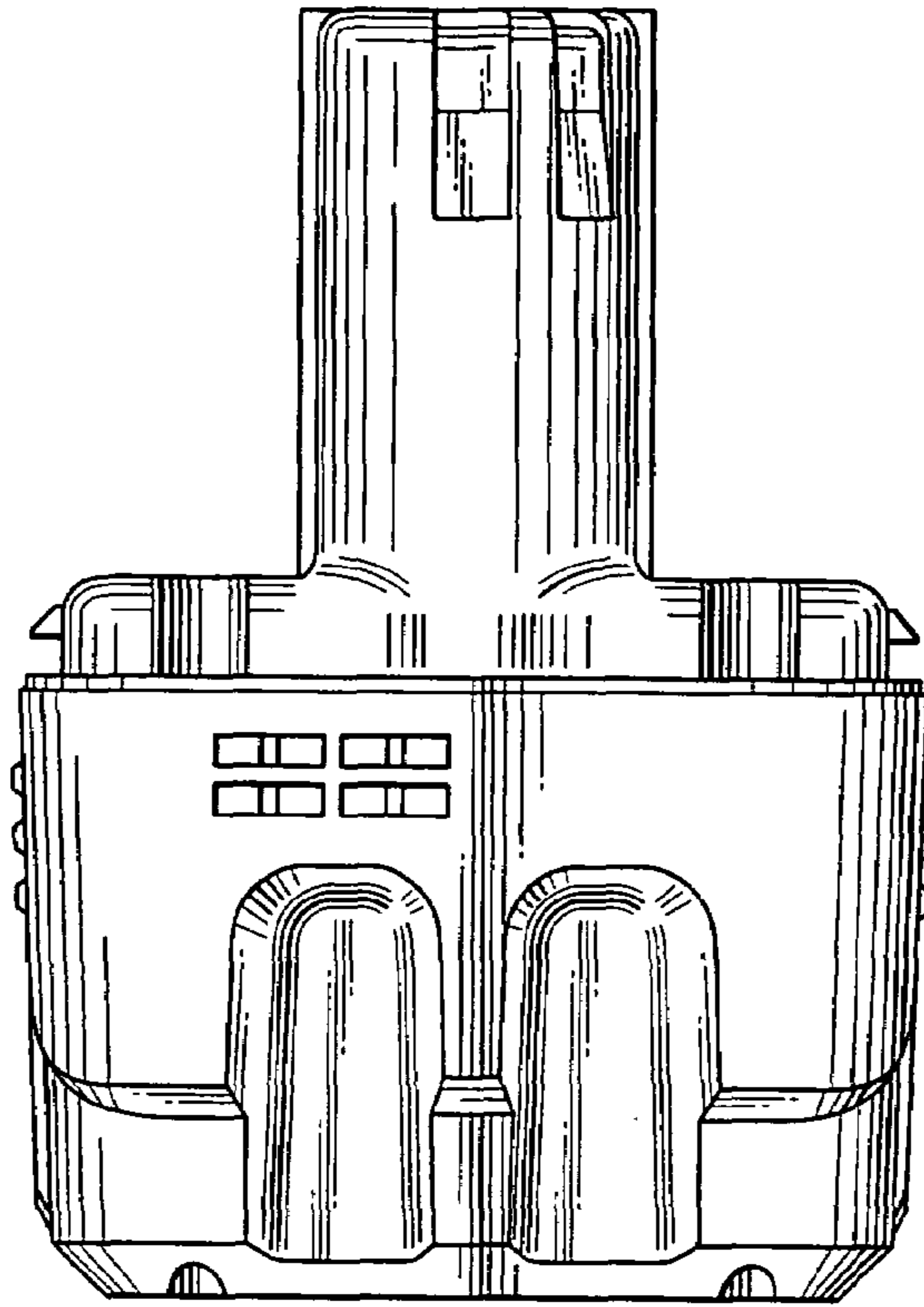


FIG.7

