



US00D544428S

(12) **United States Design Patent**  
**Truan et al.**

(10) **Patent No.:** **US D544,428 S**  
(45) **Date of Patent:** **\*\* Jun. 12, 2007**

(54) **BED MOUNTED SPREADER ASSEMBLY**

5,397,172 A 3/1995 Musso, Jr. et al.  
D368,887 S 4/1996 Upshaw  
5,649,666 A 7/1997 Lewis  
5,669,531 A 9/1997 Hagemeyer  
5,690,466 A 11/1997 Gaddis et al.  
5,842,649 A 12/1998 Beck et al.  
5,927,617 A 7/1999 Musso, Jr. et al.

(75) Inventors: **Charles J Truan**, Royal Oak, MI (US);  
**James Truan**, Royal Oak, MI (US);  
**Joshua Scott**, Royal Oak, MI (US);  
**Paul Mandrik**, Clinton Township, MI (US)

(Continued)

(73) Assignee: **Trynex, Inc.**, Warren, MI (US)

**OTHER PUBLICATIONS**

(\*\*) Term: **14 Years**

Angelos's Supplies, Inc.; Salt Dogg Poly Hopper Spreaders website print out, 4 Pages, Oct. 20, 2004 <http://www.angelos-supplies.com/plowparts/salt-dogg.pg>.

(21) Appl. No.: **29/225,916**

*Primary Examiner*—Holly H. Baynham  
*Assistant Examiner*—Sheryl Friedman

(22) Filed: **Mar. 22, 2005**

(74) *Attorney, Agent, or Firm*—Dickinson Wright PLLC;  
William H. Honaker

(51) **LOC (8) Cl.** ..... **12-06**

(52) **U.S. Cl.** ..... **D12/221**

(58) **Field of Classification Search** ..... D12/221,  
D12/15; 239/661, 654, 657, 672

See application file for complete search history.

(57) **CLAIM**

An ornamental design for a bed mounted spreader assembly, as shown and described.

(56) **References Cited**

**U.S. PATENT DOCUMENTS**

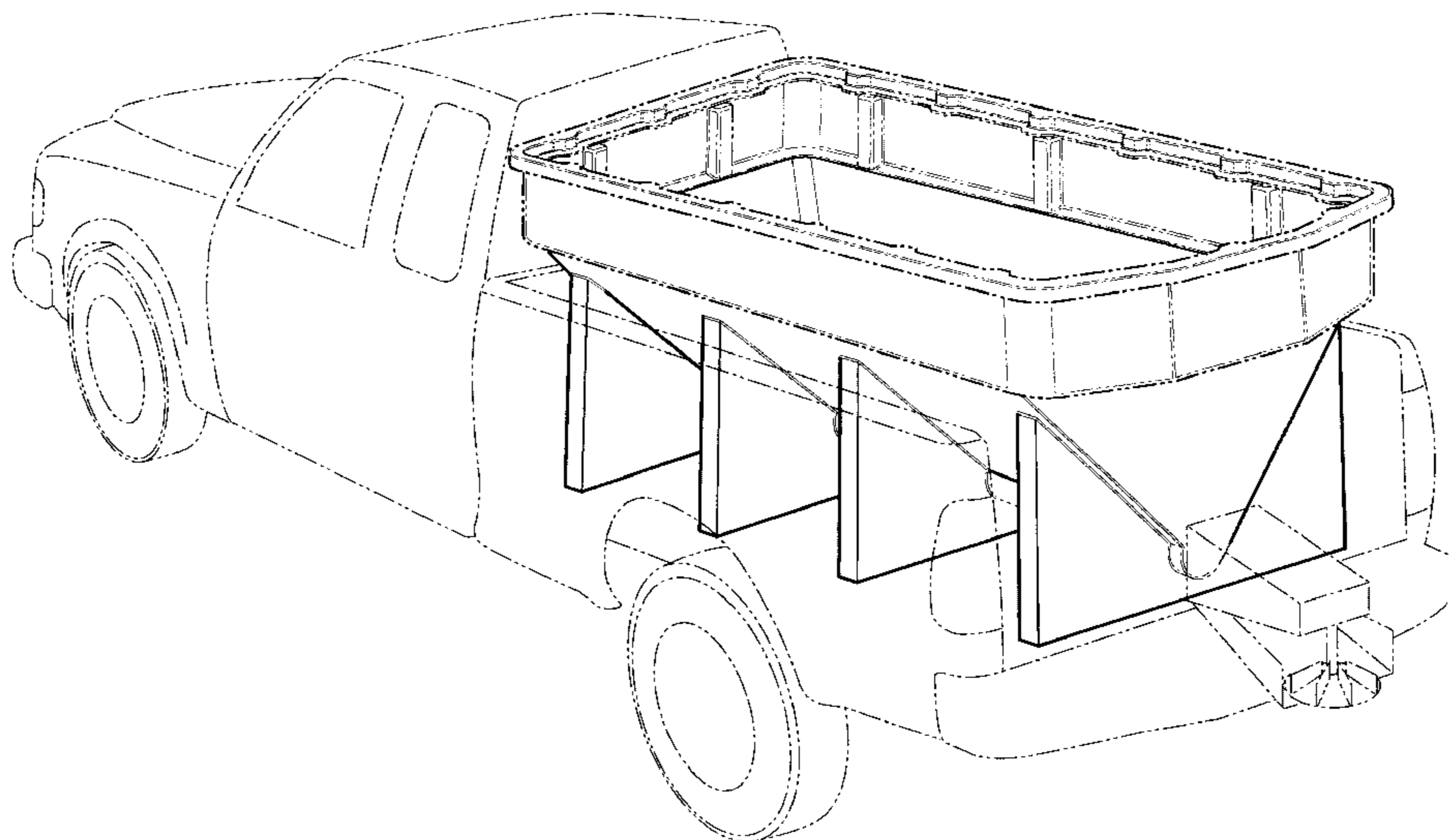
- 2,858,011 A 10/1958 Wahl
- 3,322,429 A 5/1967 Cervelli
- 3,559,894 A 2/1971 Murray et al.
- 3,746,284 A 7/1973 Diener et al.
- 3,780,955 A \* 12/1973 Palmer ..... 239/672
- 3,819,120 A 6/1974 Walker
- 4,363,447 A 12/1982 Schulze
- 4,607,979 A 8/1986 Morrison
- 4,657,431 A 4/1987 Morrison
- 4,712,717 A 12/1987 Egerdahl
- 4,767,063 A \* 8/1988 Wall et al. .... 239/672
- 4,978,068 A \* 12/1990 Eldridge ..... 239/129
- D314,578 S 2/1991 Morrison
- 5,108,038 A \* 4/1992 Palladino et al. .... 239/661
- D335,267 S 5/1993 Upshaw
- H1205 H 7/1993 Pierce et al.
- 5,234,128 A 8/1993 Hill
- 5,288,028 A 2/1994 Spivak et al.

**DESCRIPTION**

FIG. 1 is a perspective view of a vehicle having a spreader assembly mounted in a bed of the vehicle and those lines shown in phantom form no part of the claimed invention; FIG. 2 is a perspective view of the spreader assembly; FIG. 3 is a side view of the spreader assembly; FIG. 4 is a top view of the spreader assembly; FIG. 5 is a rear view of the spreader assembly; and, FIG. 6 is a front view of the spreader assembly.

The broken line showing of a bed mounted spreader assembly is for illustrative purposes only and forms no part of the claimed design.

**1 Claim, 5 Drawing Sheets**



# US D544,428 S

Page 2

---

## U.S. PATENT DOCUMENTS

5,947,391 A	9/1999	Beck et al.	6,220,532 B1	4/2001	Manon et al.	
5,988,534 A	11/1999	Kost et al.	D452,472 S	12/2001	Darbishire	
6,027,052 A	2/2000	Strieker et al.	D458,209 S	6/2002	Darbishire	
6,047,908 A	4/2000	Seymour et al.	6,398,137 B1	6/2002	Manon et al.	
6,068,200 A	5/2000	Kime	6,513,447 B1 *	2/2003	Guzman et al.	..... 111/11
6,089,478 A	7/2000	Truan et al.	6,715,703 B2	4/2004	Kost et al.	
6,092,966 A	7/2000	Martin et al.	6,722,590 B2	4/2004	Kost et al.	
6,145,709 A	11/2000	Hogan et al.	6,793,154 B2	9/2004	Kost	
6,179,230 B1	1/2001	Geroux et al.	2003/0156933 A1	8/2003	Ame et al.	
D438,836 S	3/2001	Reiter				

\* cited by examiner

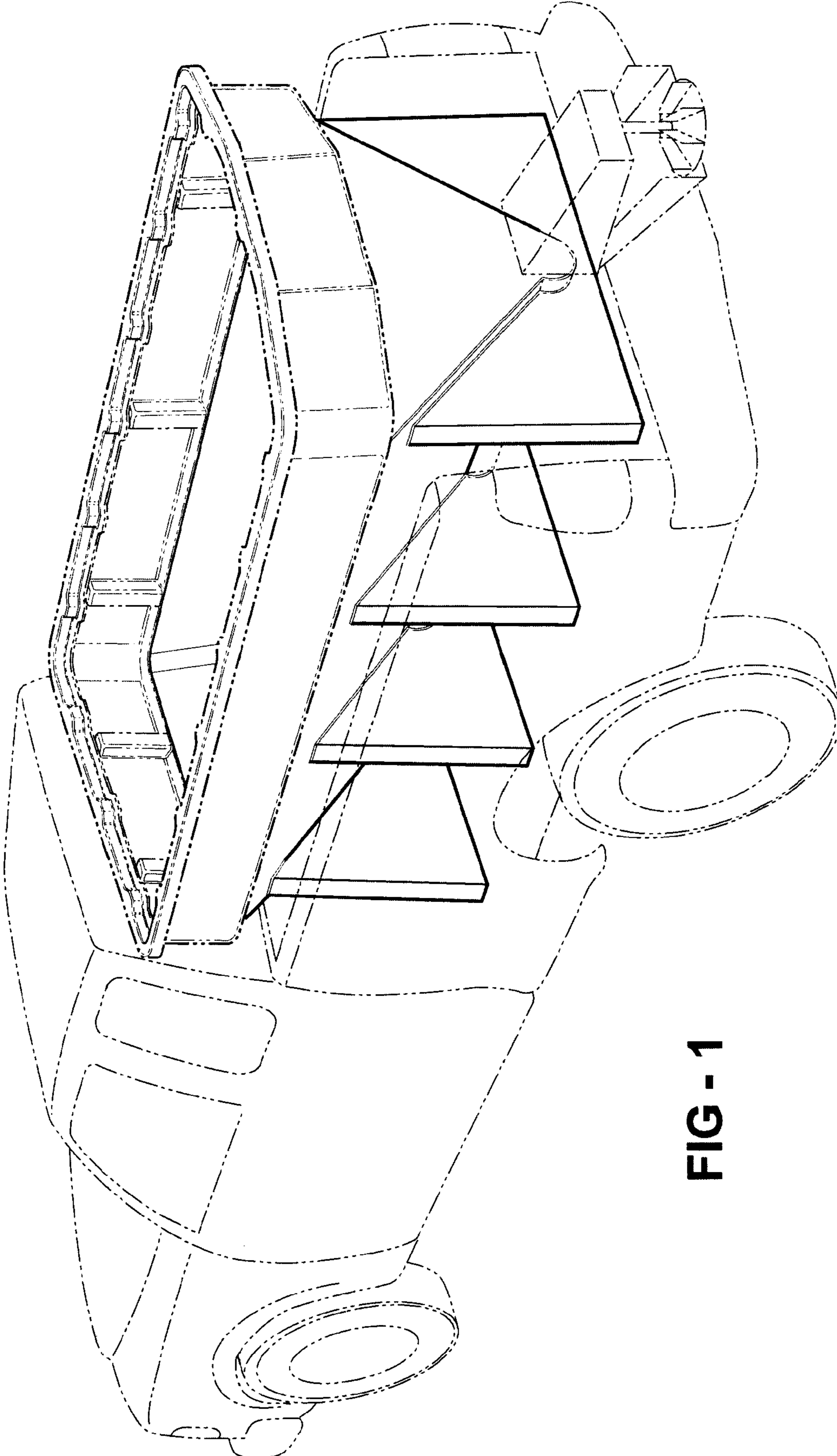
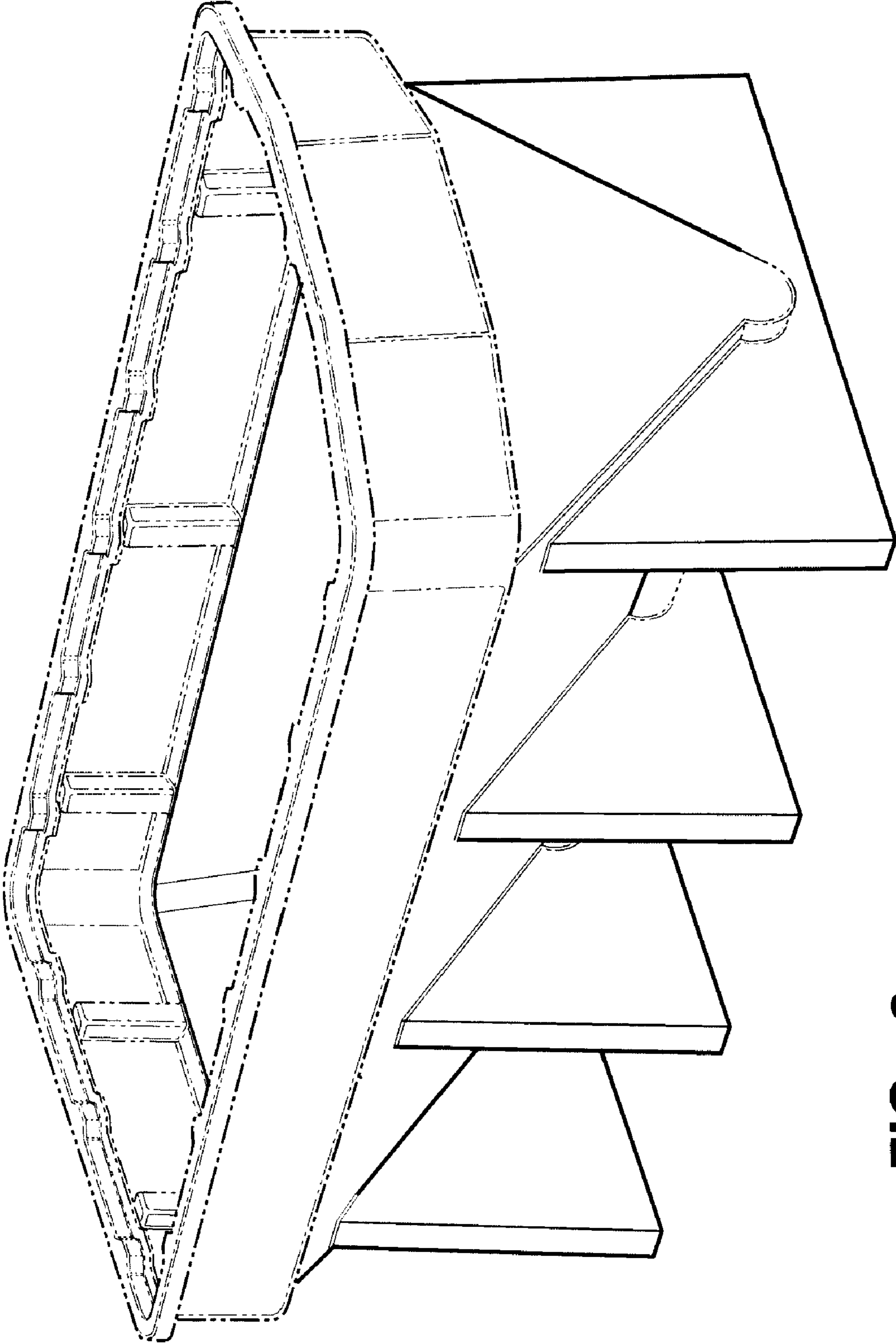
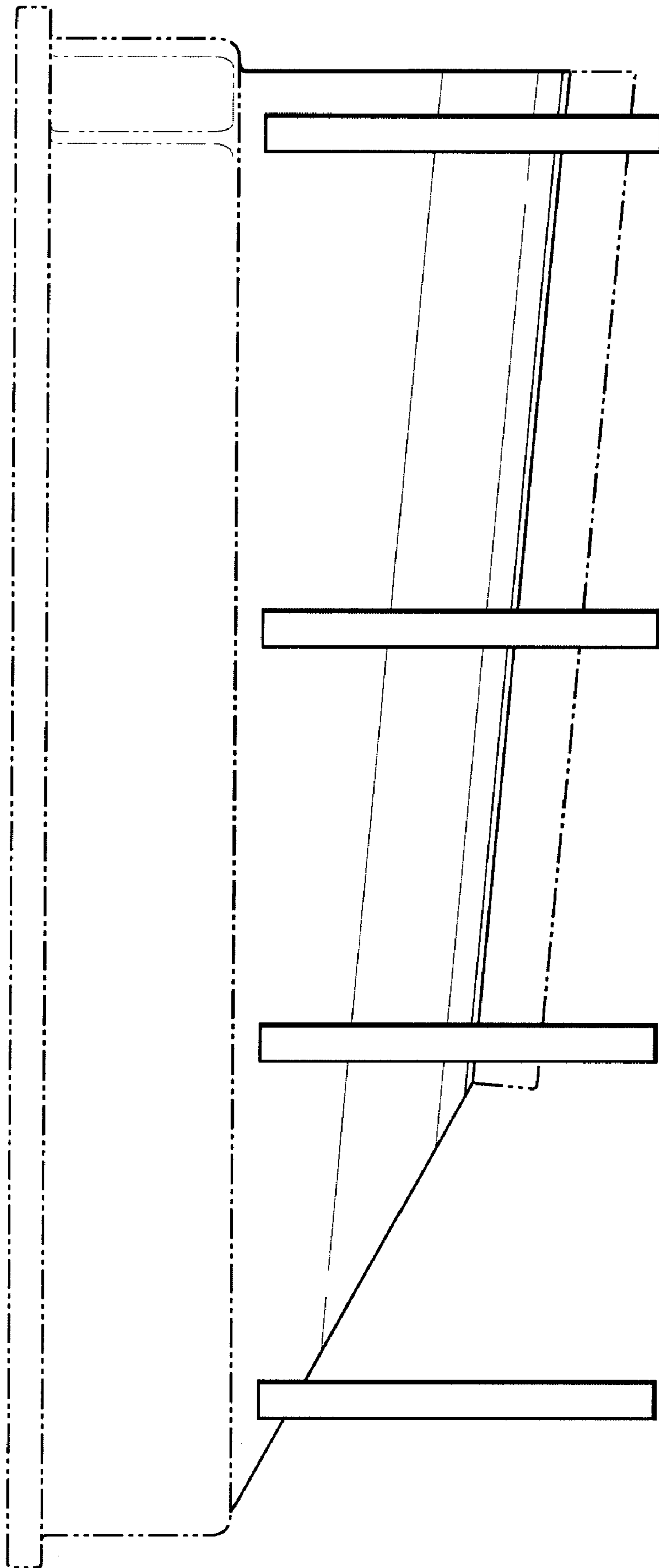


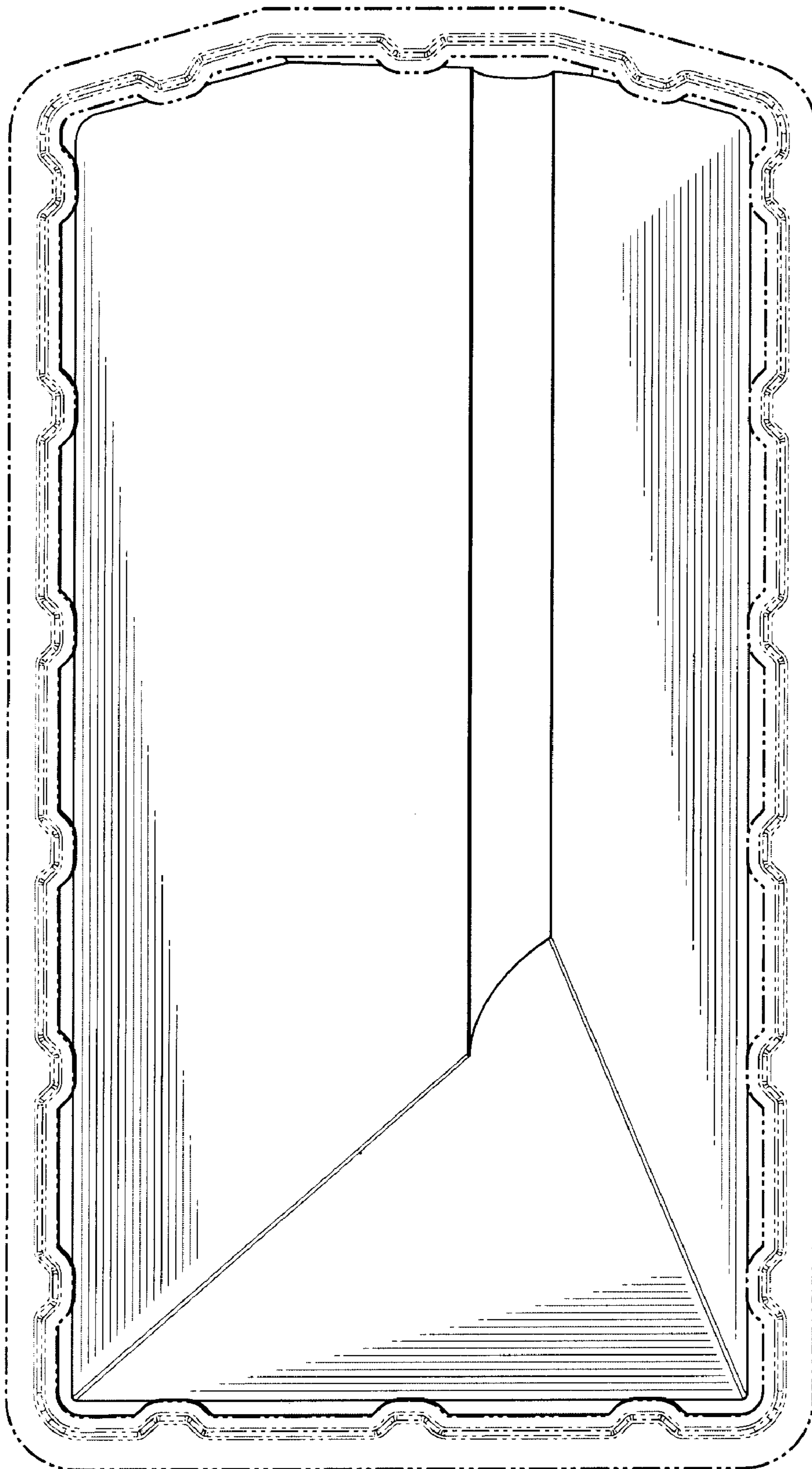
FIG - 1



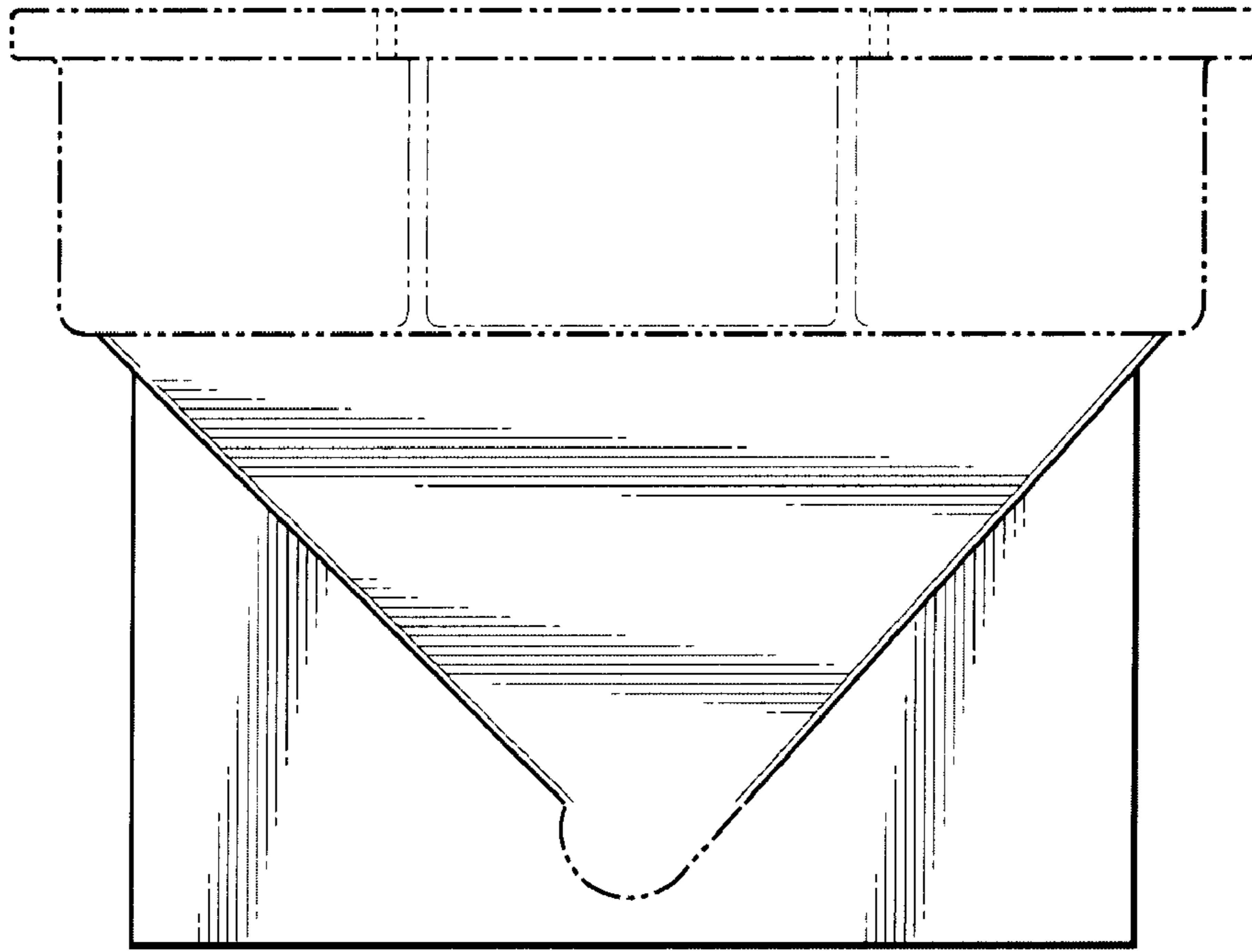
**FIG - 2**



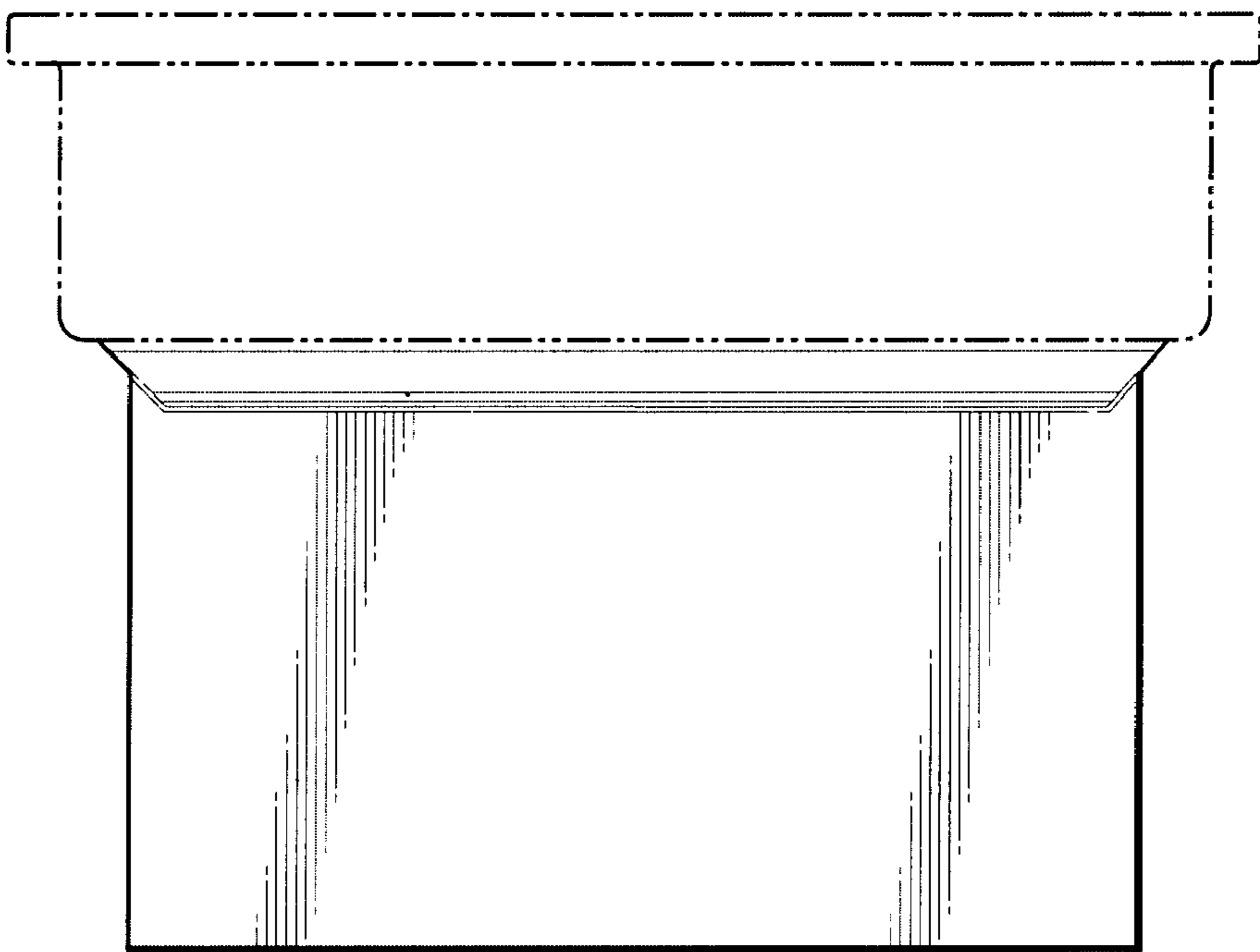
**FIG - 3**



**FIG - 4**



**FIG - 5**



**FIG - 6**