



US00D544427S

(12) **United States Design Patent**
Pfeiffer

(10) **Patent No.:** **US D544,427 S**

(45) **Date of Patent:** **** Jun. 12, 2007**

(54) **FRONT FACE OF A VEHICLE WHEEL**

(75) Inventor: **Peter Pfeiffer**, Boeblingen (DE)

(73) Assignee: **DaimlerChrysler AG**, Stuttgart (DE)

(**) Term: **14 Years**

(21) Appl. No.: **29/267,522**

(22) Filed: **Oct. 17, 2006**

(30) **Foreign Application Priority Data**

Apr. 18, 2006 (EM) 000513858-0001

(51) **LOC (8) Cl.** **12-16**

(52) **U.S. Cl.** **D12/211**

(58) **Field of Classification Search** D12/204-213;
301/37.101, 64.101, 65

See application file for complete search history.

(56) **References Cited**

U.S. PATENT DOCUMENTS

D457,119 S *	5/2002	Braun et al.	D12/211
D475,669 S *	6/2003	Boyer	D12/209
D502,679 S *	3/2005	Boyer	D12/211
D504,647 S *	5/2005	Leclercq	D12/209
D507,224 S *	7/2005	Pfeiffer	D12/211
D520,434 S *	5/2006	Fahr-Becker	D12/211
D520,933 S *	5/2006	Pfeiffer	D12/211

D522,430 S *	6/2006	Nordmann	D12/209
D522,439 S *	6/2006	Laengerer	D12/211
D522,951 S *	6/2006	Pfeiffer	D12/211
D522,954 S *	6/2006	Hueller	D12/211
D526,263 S *	8/2006	Brown	D12/209
D529,854 S *	10/2006	Scheu	D12/211
D532,358 S *	11/2006	Blasi	D12/211
D537,026 S *	2/2007	Nordmann	D12/209

* cited by examiner

Primary Examiner—Stacia Cadmus

(74) *Attorney, Agent, or Firm*—Crowell & Moring LLP

(57) **CLAIM**

The ornamental design for a front face of a vehicle wheel, as shown and described.

DESCRIPTION

FIG. 1 is a front view of a first embodiment of a front face of a vehicle wheel according to my novel design; and

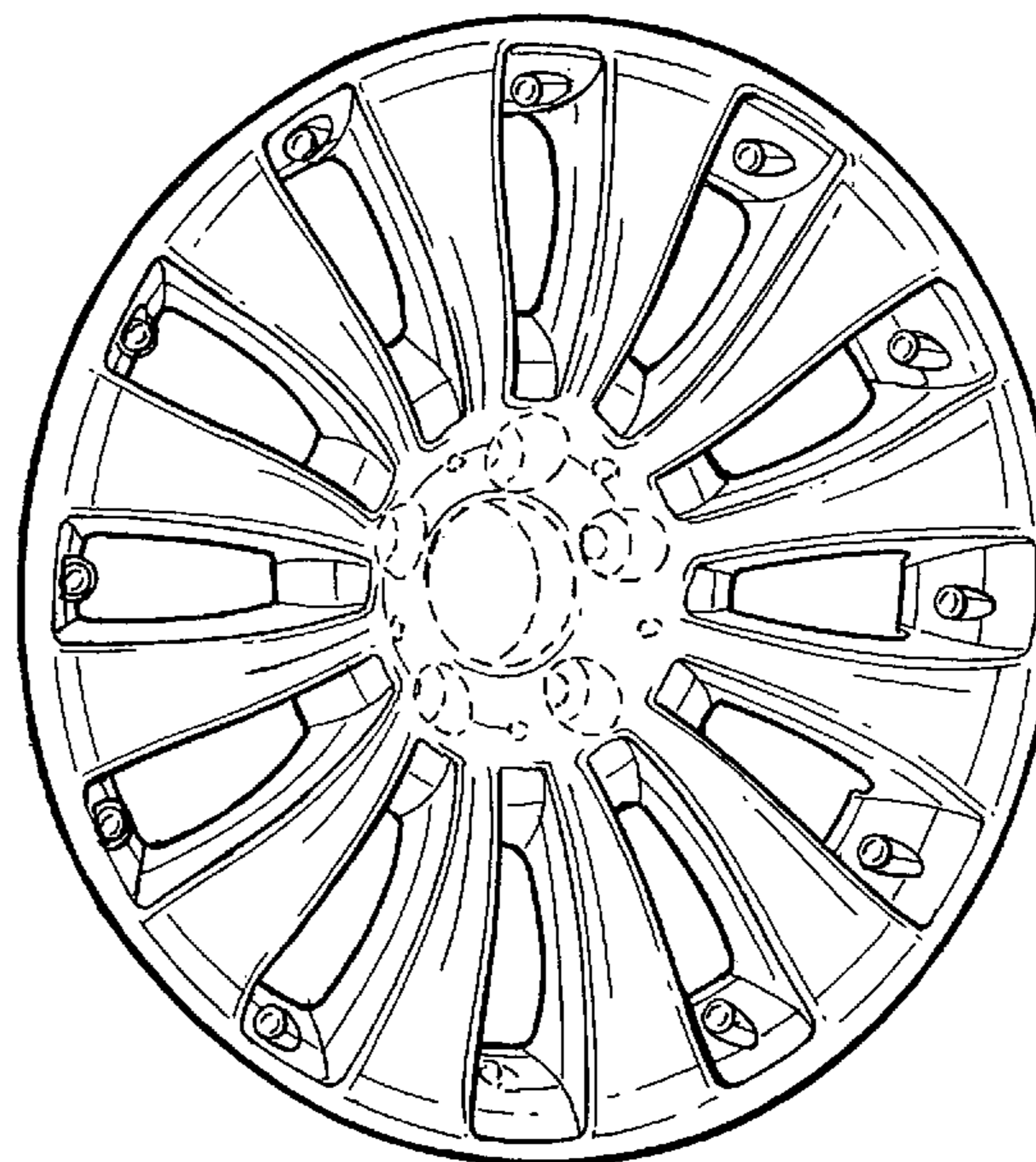
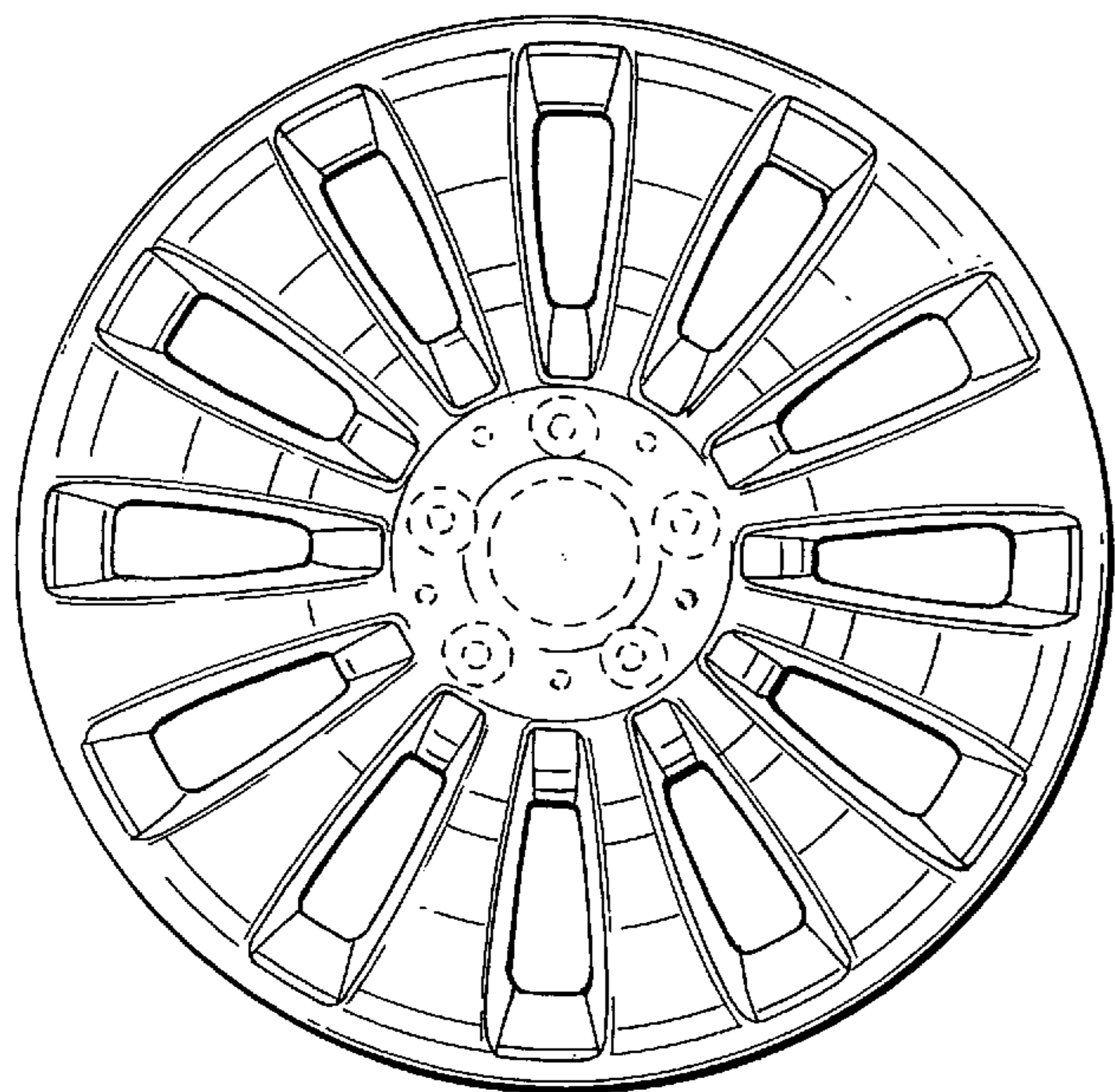
FIG. 2 is a perspective view thereof.

FIG. 3 is a front view of a second embodiment of the front face of a vehicle wheel according to my novel design; and,

FIG. 4 is a perspective view thereof.

The broken lines are for illustrative purposes only and form no part of the claimed design.

1 Claim, 2 Drawing Sheets



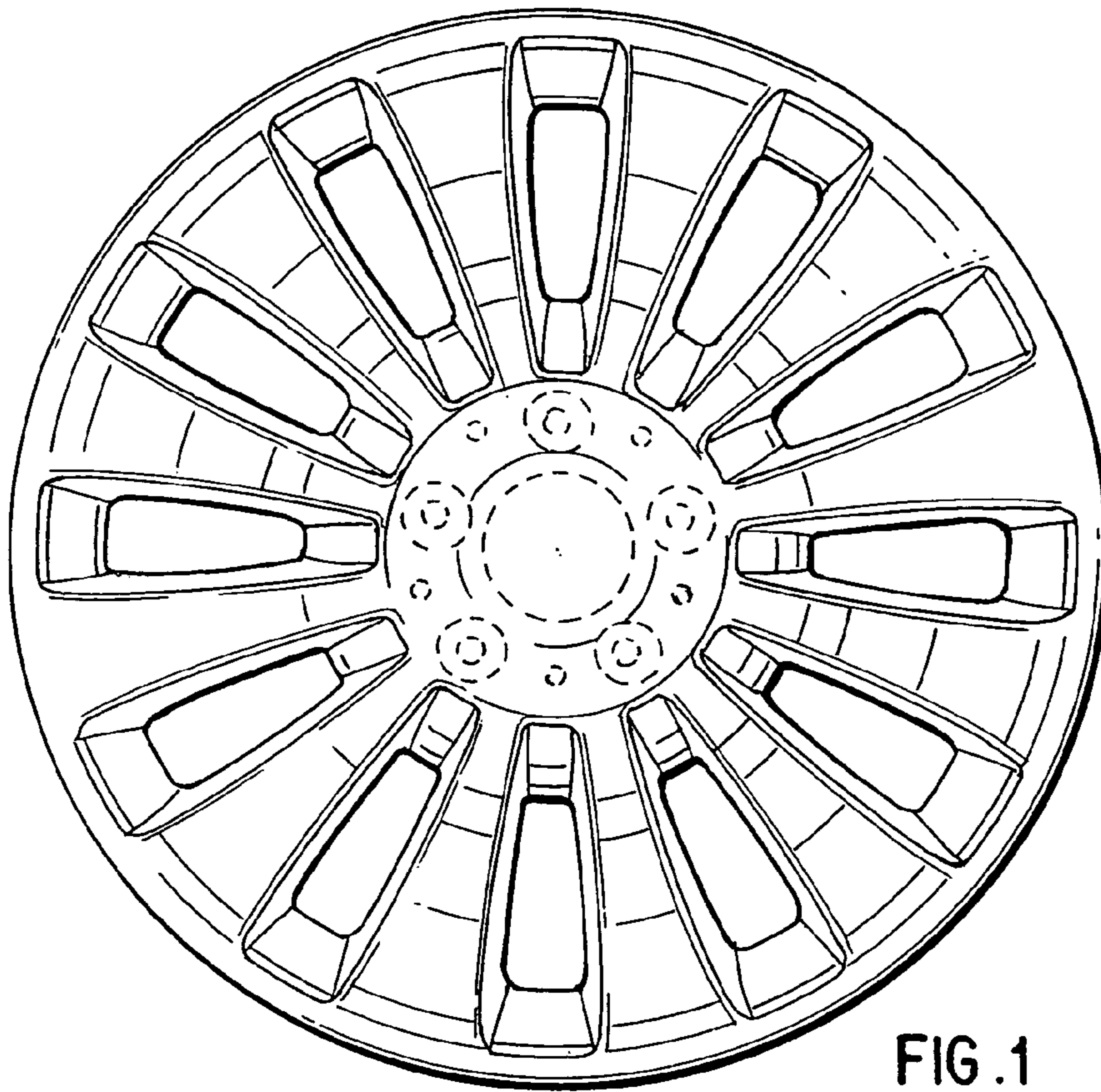


FIG. 1

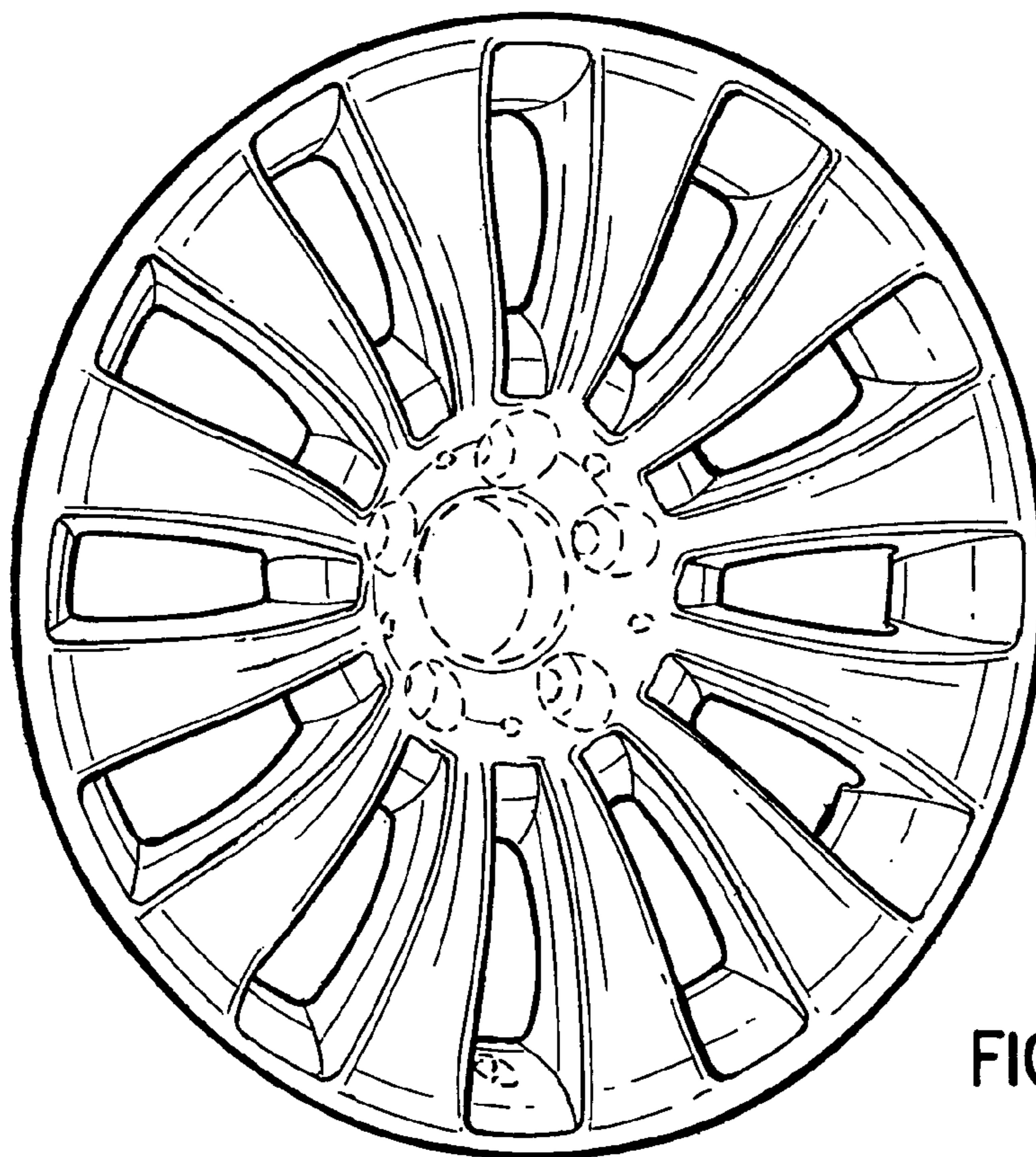


FIG. 2

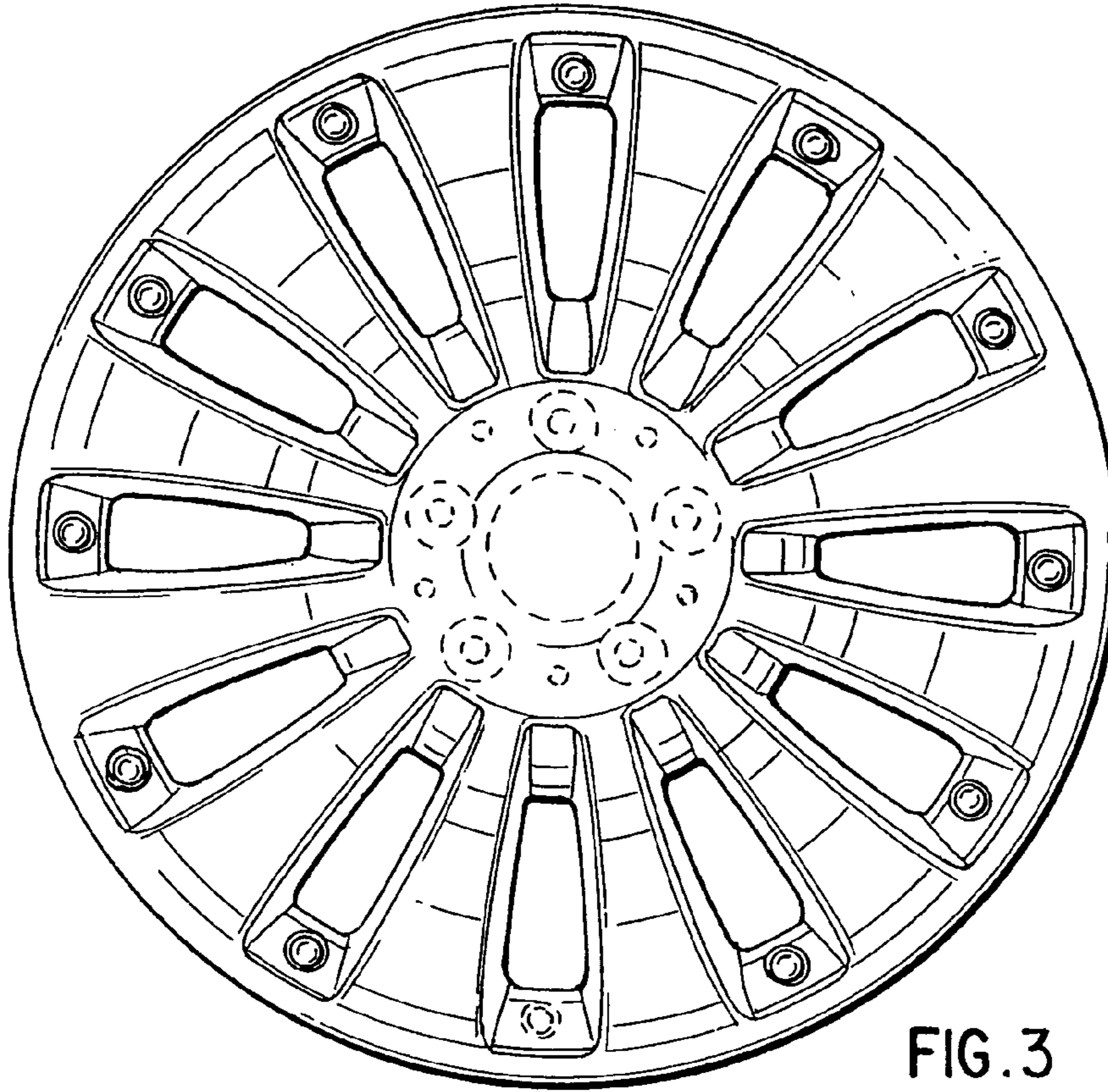


FIG. 3

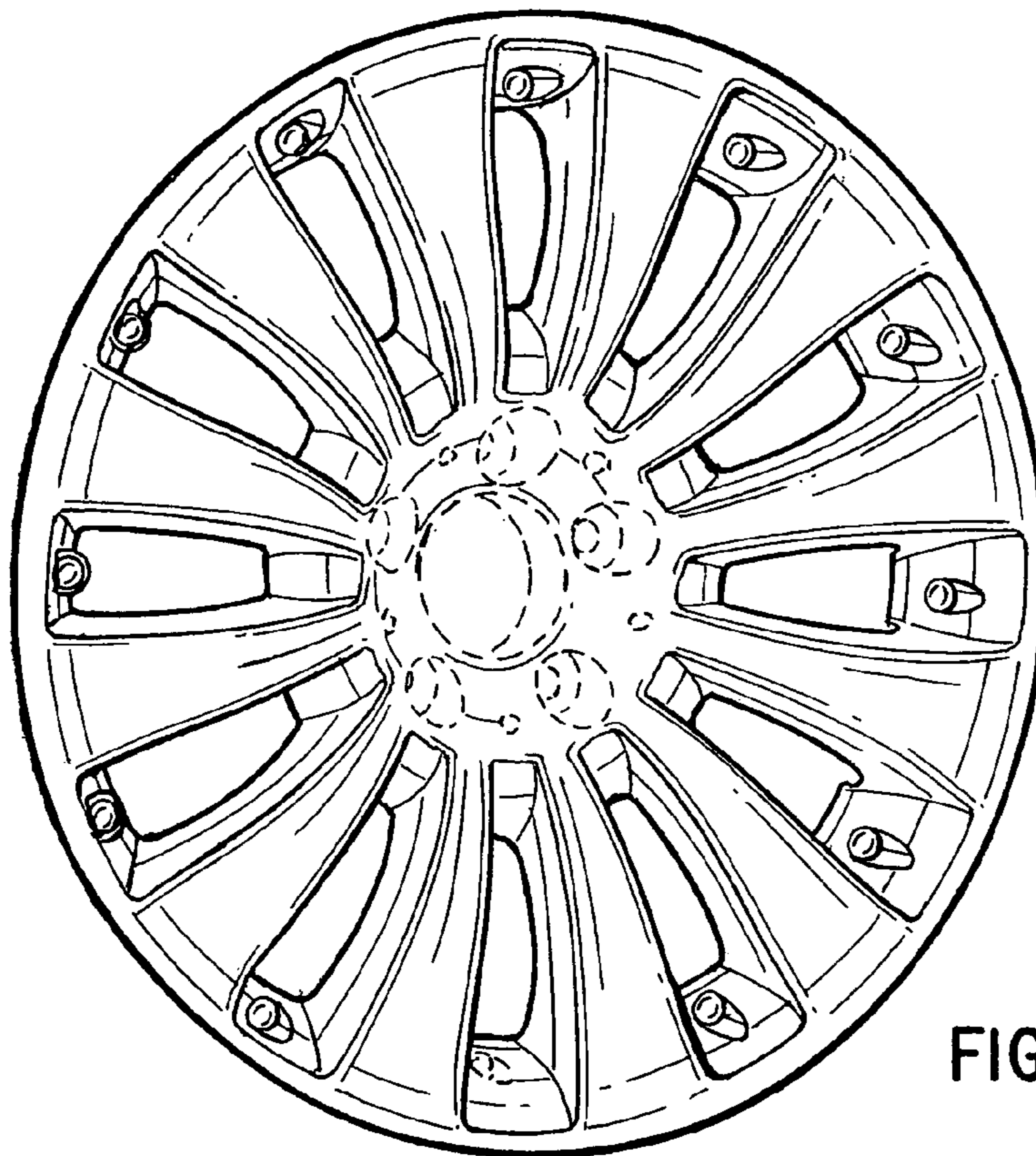


FIG. 4