



US00D544424S

(12) **United States Design Patent**
Bauer

(10) **Patent No.:** **US D544,424 S**

(45) **Date of Patent:** **** Jun. 12, 2007**

(54) **THREADABLE FUEL CAP**

5,312,546 A	5/1994	Janik
D356,852 S	3/1995	Janik et al.
5,770,065 A	6/1998	Popoff et al.
6,045,693 A	4/2000	Miller et al.
6,209,745 B1 *	4/2001	Jansson 220/288
D453,011 S *	1/2002	Canady D12/197
D459,284 S *	6/2002	Canady D12/197

(76) **Inventor:** **Kyle Bauer**, Box 1212 827 16th Street
North, Humboldt, SK (CA) S0K 2A0

(**) **Term:** **14 Years**

(21) **Appl. No.:** **29/221,342**

* cited by examiner

(22) **Filed:** **Jan. 14, 2005**

Primary Examiner—Stacia Cadmus

(51) **LOC (8) Cl.** **12-16**

(52) **U.S. Cl.** **D12/197**

(58) **Field of Classification Search** D12/197,
D12/400, 201; D7/398, 598, 619; D9/439,
D9/454, 451, 314; D15/5; 220/86.1–86.3,
220/DIG. 5, DIG. 12, DIG. 33, 254.1, 288;
210/238, 248, 232; D8/107, 310–312; D23/209;
D24/194–196

See application file for complete search history.

(56) **References Cited**

U.S. PATENT DOCUMENTS

1,457,070 A *	5/1923	Mayberry	220/254.1
D191,039 S *	8/1961	Johnson	D12/197
D228,345 S *	9/1973	Kleinman	D9/439
4,507,199 A *	3/1985	Carlisle	210/238
4,836,923 A	6/1989	Popoff et al.		
5,030,345 A	7/1991	Thomas		

(57) **CLAIM**

The ornamental design for a threadable fuel cap, as shown and described.

DESCRIPTION

FIG. 1 is a front elevational view of a threadable fuel cap showing my new design;

FIG. 2 is a side elevational view thereof;

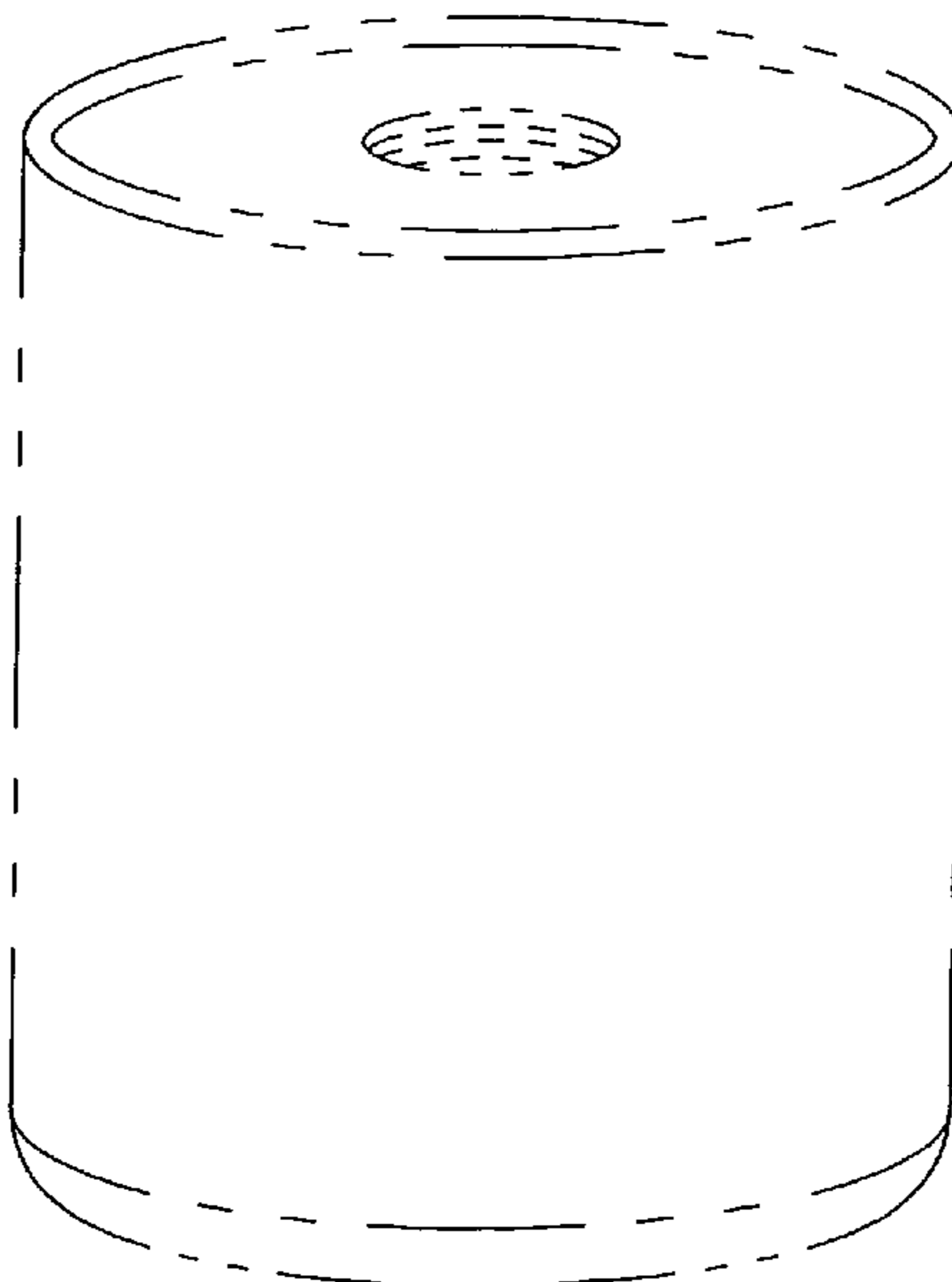
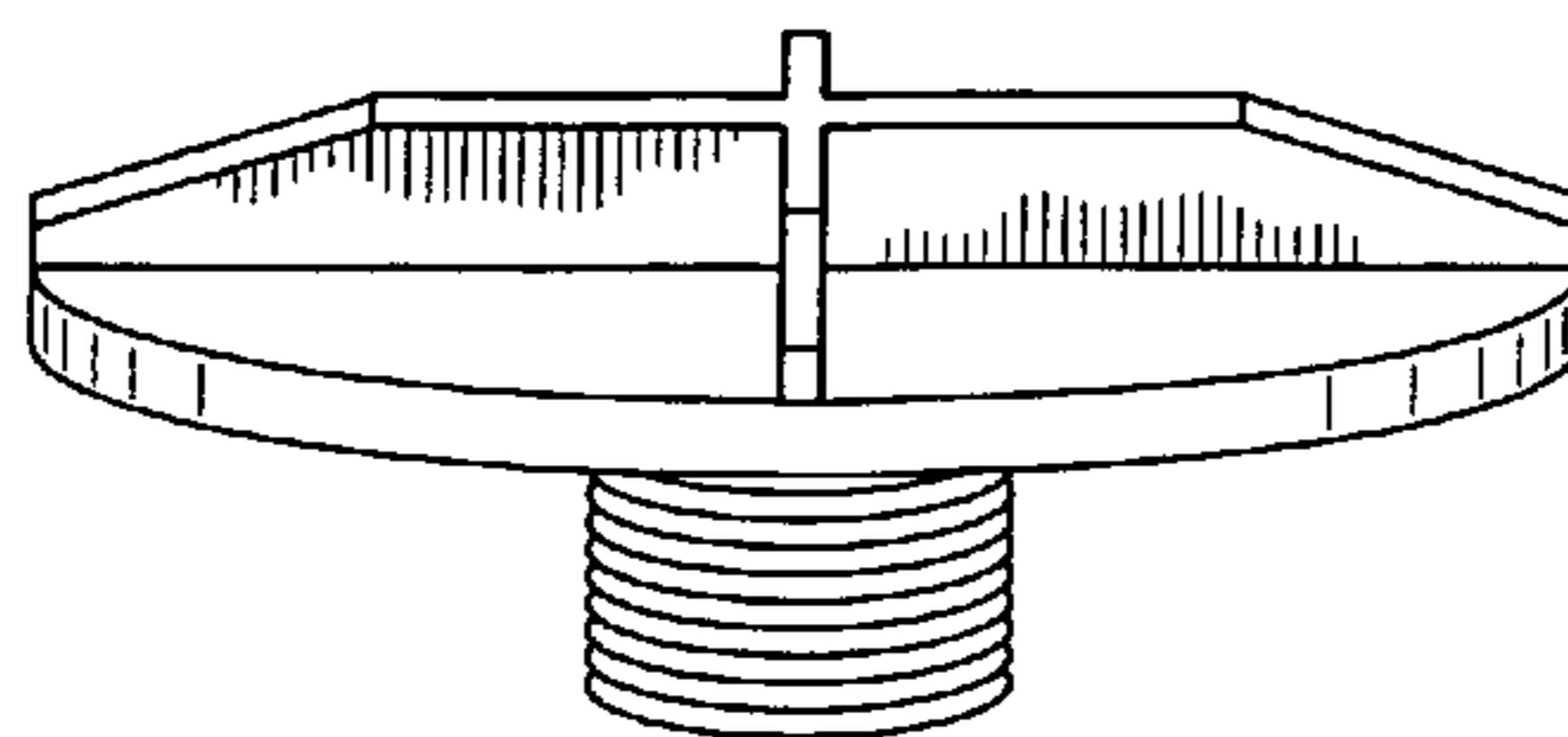
FIG. 3 is a top plan view thereof;

FIG. 4 is a bottom plan view thereof; and,

FIG. 5 is a perspective view thereof.

The broken line showing of environment is for illustrative purposes only and forms no part of the claimed design.

1 Claim, 3 Drawing Sheets



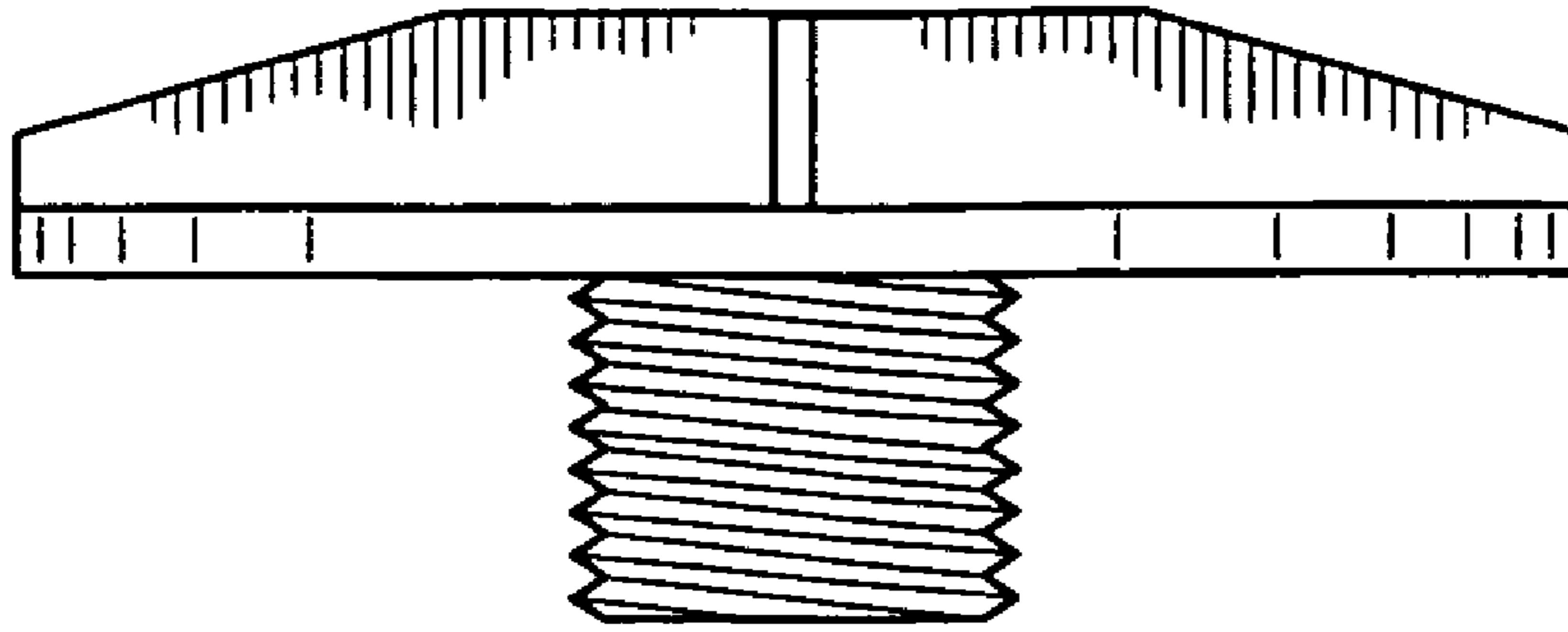


FIG. 1

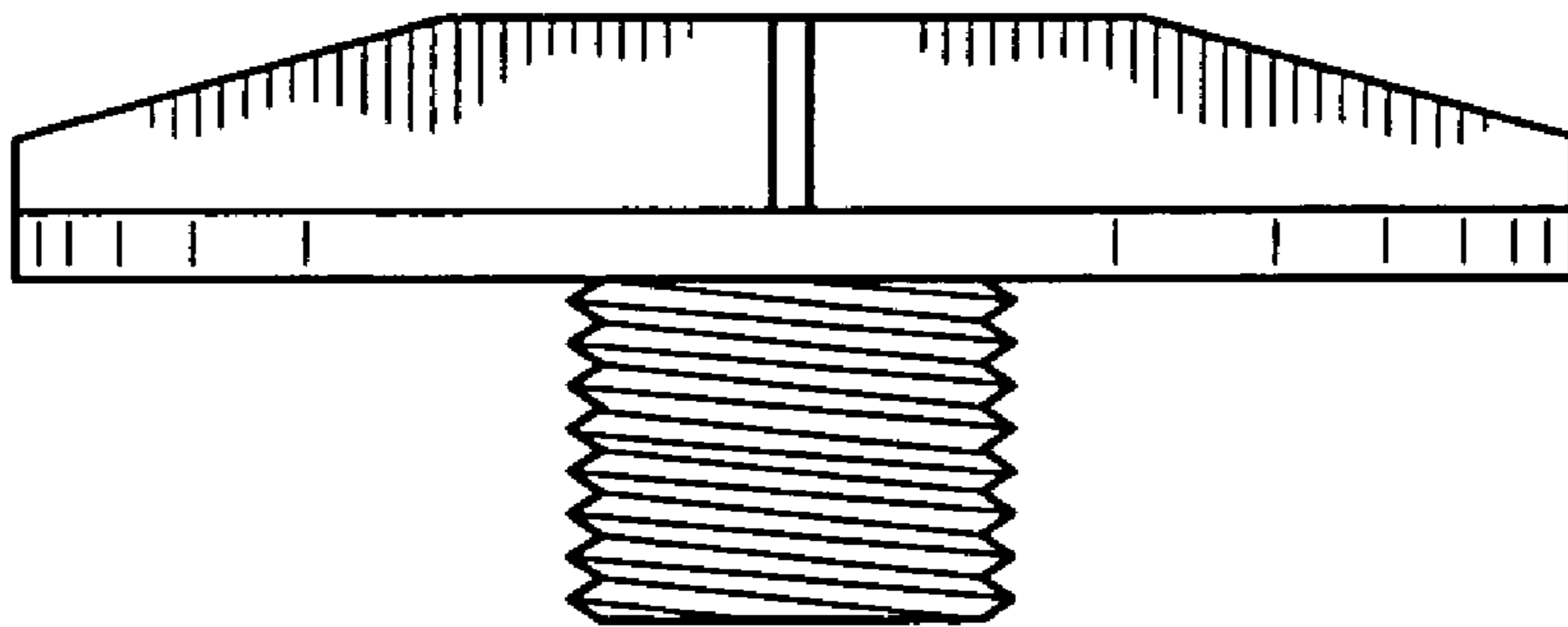


FIG. 2

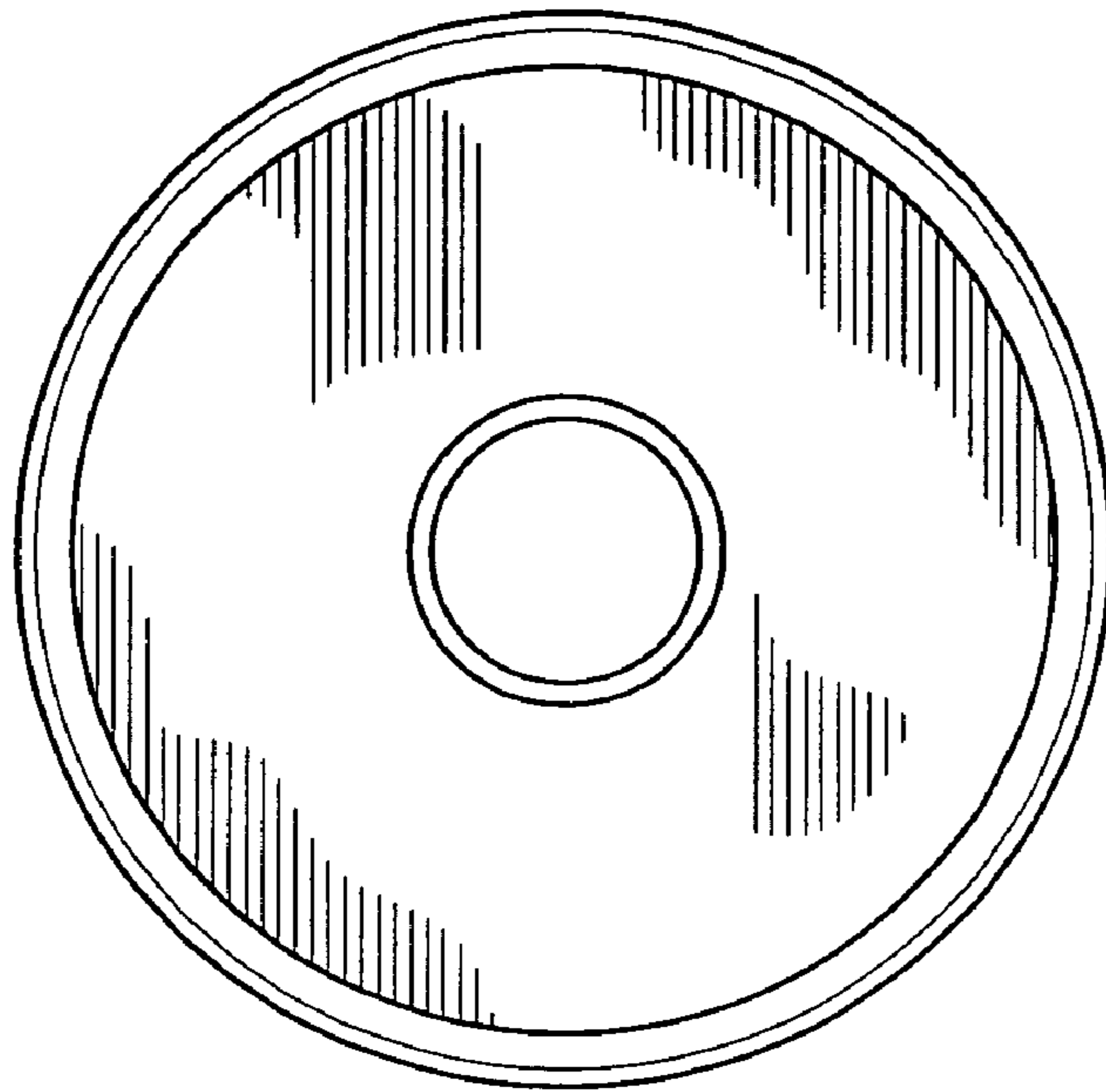


FIG.4

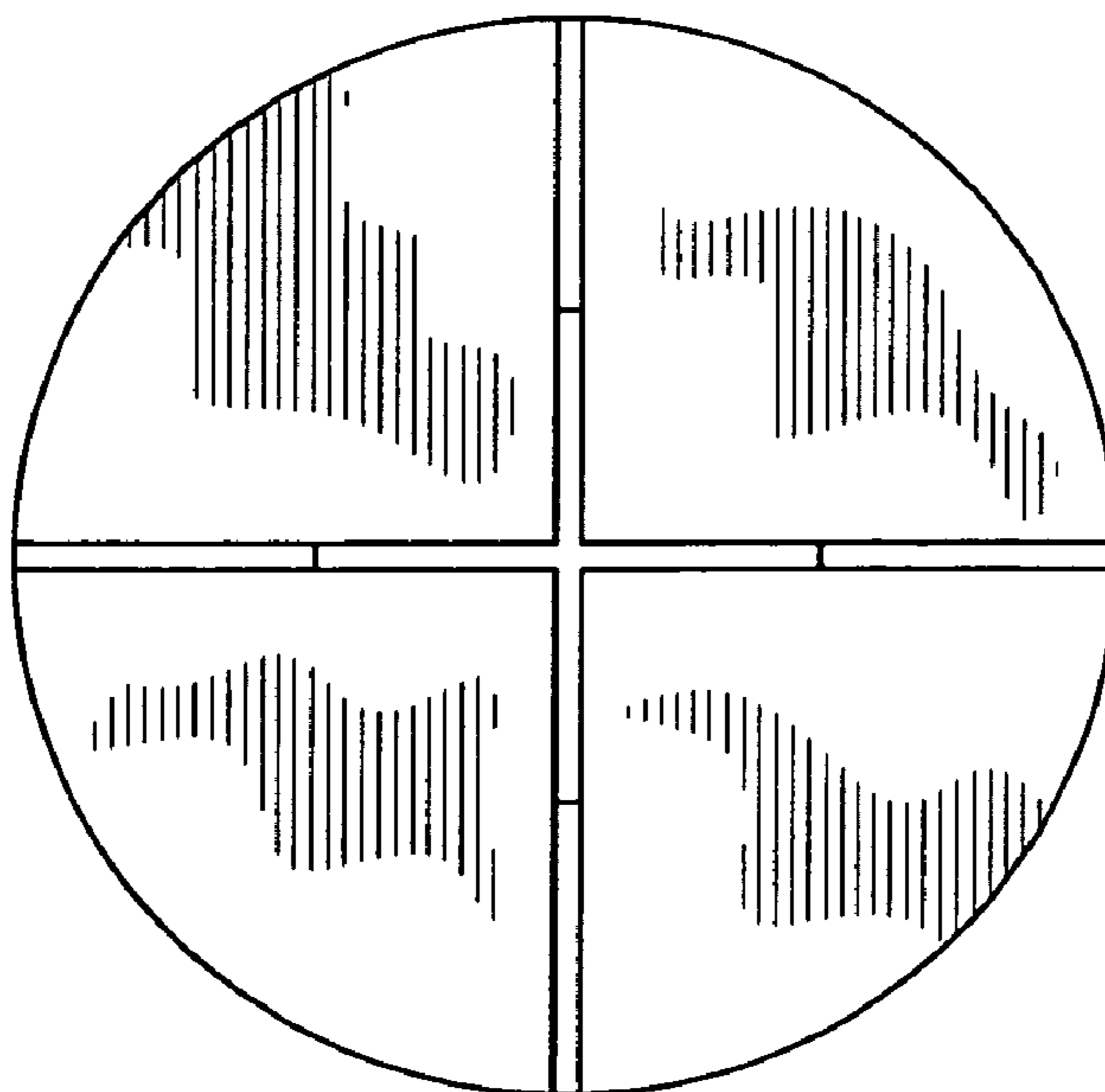


FIG.3

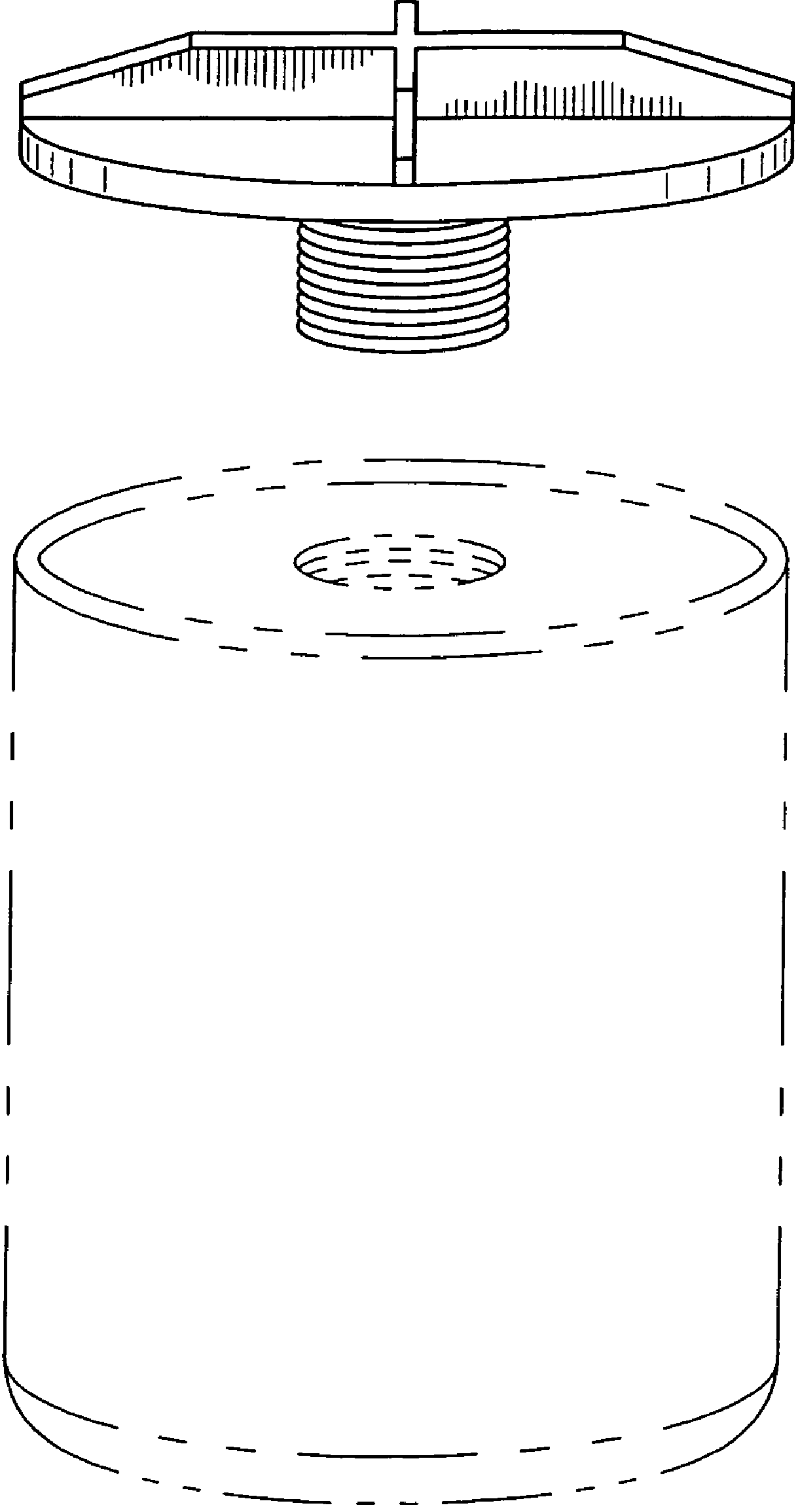


FIG.5