



US00D544423S

(12) **United States Design Patent**  
**Hu**

(10) **Patent No.:** **US D544,423 S**  
(45) **Date of Patent:** **\*\* Jun. 12, 2007**

(54) **MOUNTING BRACKET ASSEMBLY OF TOW MIRROR**

D526,258 S \* 8/2006 Branham et al. .... D12/187  
D530,248 S \* 10/2006 Branham ..... D12/187

(76) Inventor: **Tsai-Fu Hu**, 200, Fu Chiang Road, Sec. 2, Yung Kang, Tainan (TW)

\* cited by examiner

(\*\*) Term: **14 Years**

*Primary Examiner*—Stacia Cadmus

(74) *Attorney, Agent, or Firm*—Pro-Techtor Int'l Services

(21) Appl. No.: **29/238,569**

(57) **CLAIM**

(22) Filed: **Sep. 15, 2005**

The ornamental design for a mounting bracket assembly of tow mirror, as shown and described.

(51) **LOC (8) Cl.** ..... **12-16**

(52) **U.S. Cl.** ..... **D12/187; D8/354**

(58) **Field of Classification Search** ..... D12/187-189,  
D12/223; D8/349, 354; 359/838-855, 864-880;  
248/478, 476, 475.1, 481, 485

See application file for complete search history.

**DESCRIPTION**

FIG. 1 is a perspective view of a mounting bracket assembly of tow mirror showing my new design;

FIG. 2 is a front view of the design;

FIG. 3 is a rear view of the design;

FIG. 4 is a left side view of the design;

FIG. 5 is a right side view of the design;

FIG. 6 is a top view of the design; and

FIG. 7 is a bottom view of the design; and,

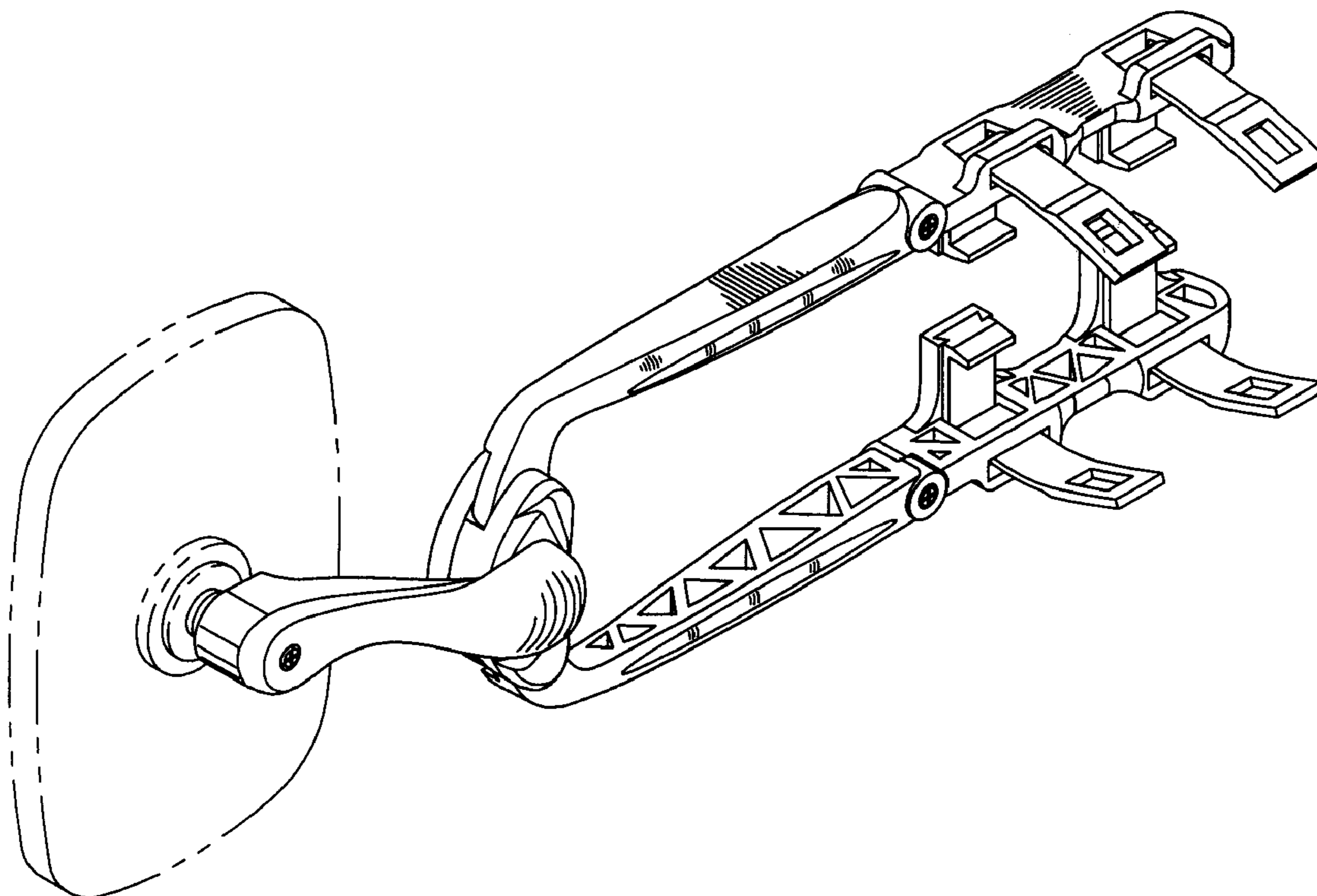
FIG. 8 is a perspective view showing mounting bracket assembly of tow mirror and a tow mirror shown in dotted line, for illustrative purpose only not forming part of the claimed design.

(56) **References Cited**

**U.S. PATENT DOCUMENTS**

D286,628 S *	11/1986	Lusk .....	D12/187
D307,571 S *	5/1990	Owen et al. ....	D12/187
D350,521 S *	9/1994	Hu .....	D12/187
D419,935 S *	2/2000	Ryder .....	D12/187
D424,490 S *	5/2000	Reed .....	D12/187
D460,393 S *	7/2002	Kidd .....	D12/188
D474,432 S *	5/2003	Good .....	D12/188
D490,035 S *	5/2004	Wade .....	D12/188
D512,355 S *	12/2005	Courbon .....	D12/187
7,059,734 B1 *	6/2006	Hu .....	359/872

**1 Claim, 4 Drawing Sheets**



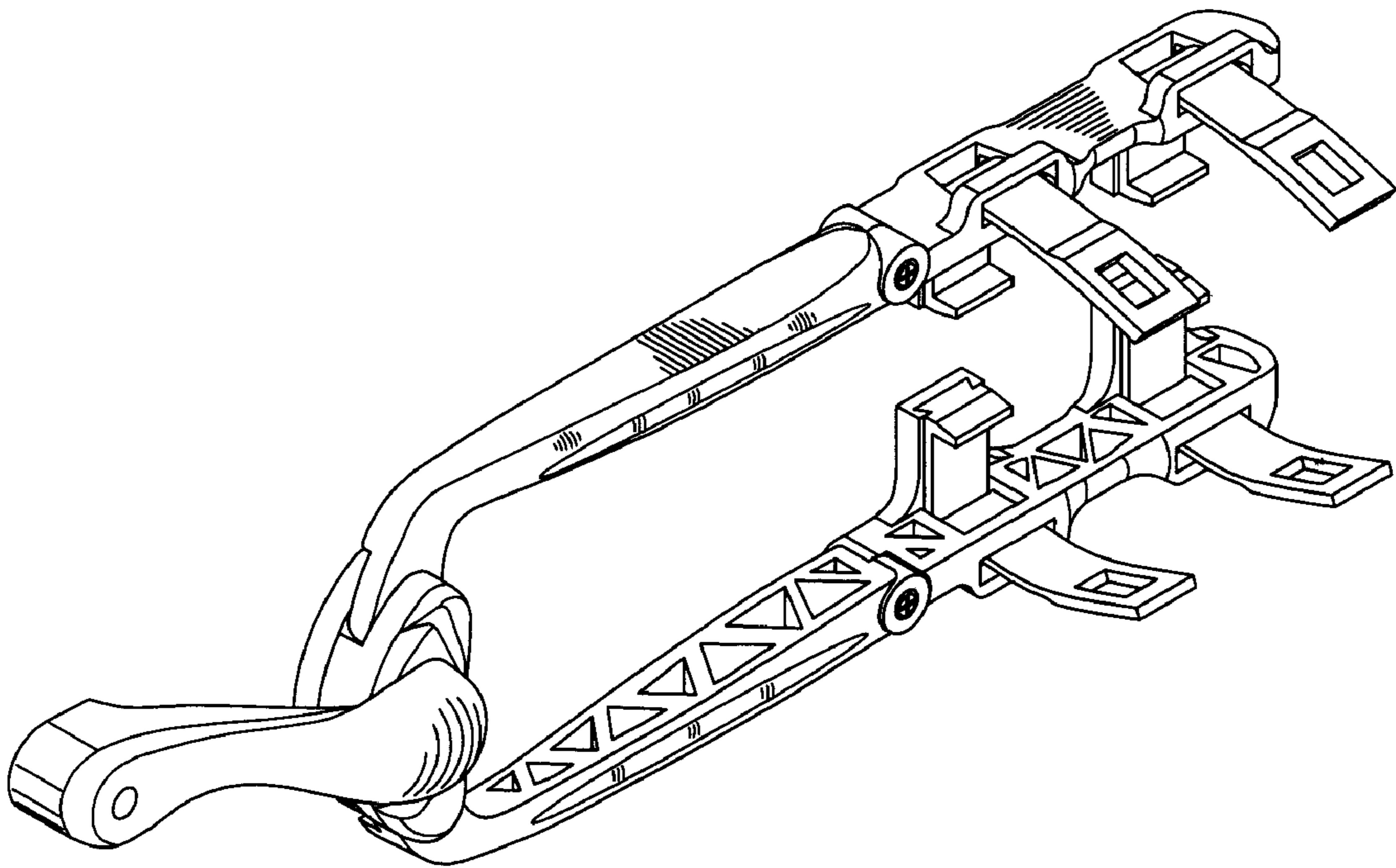


FIG. 1

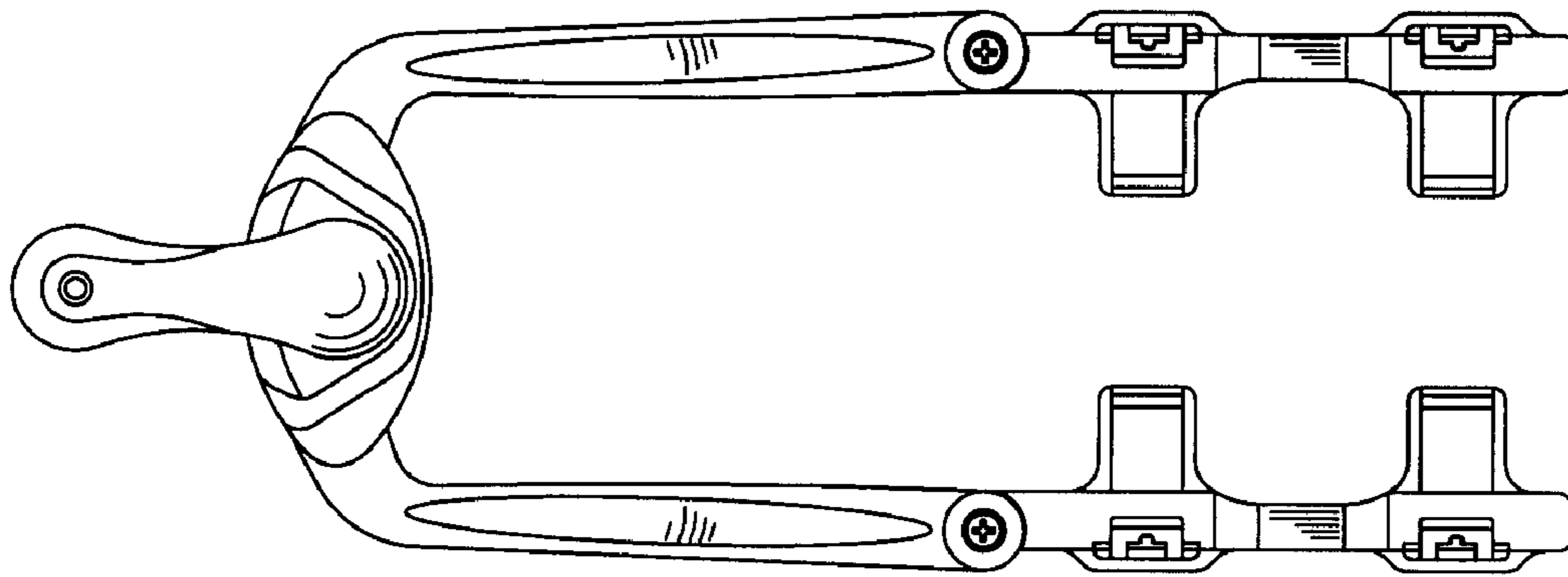


FIG. 2

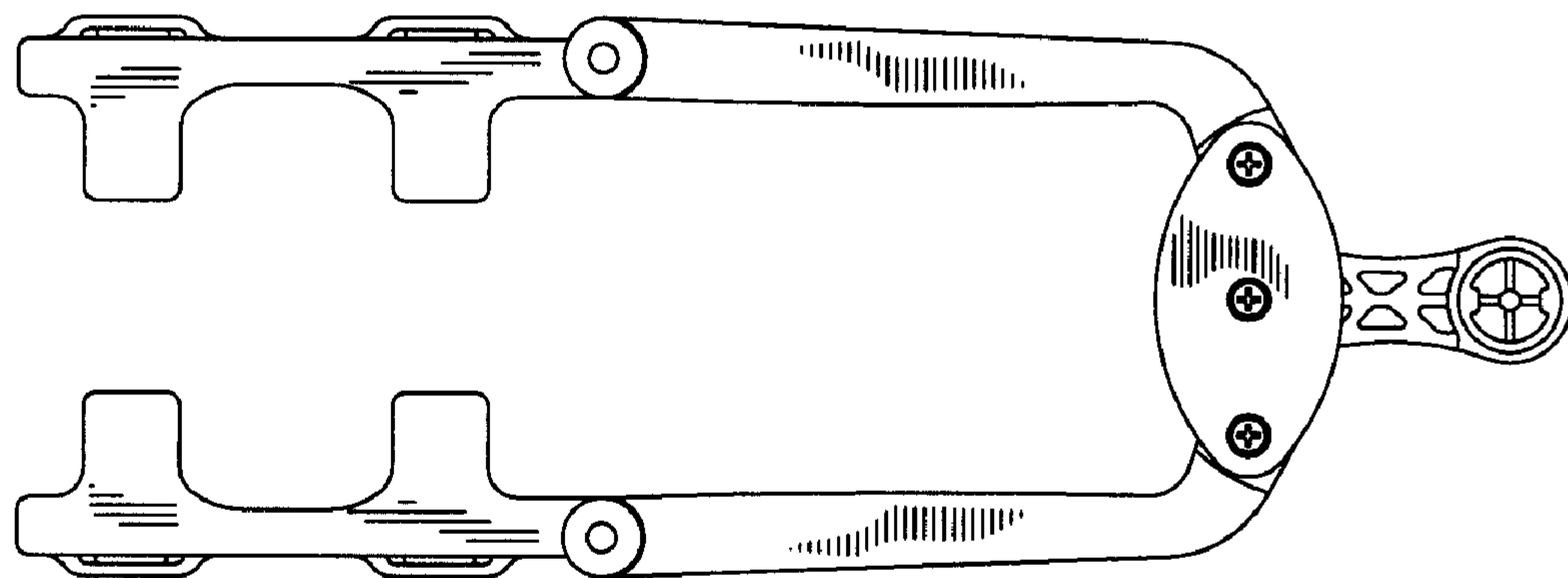


FIG. 3

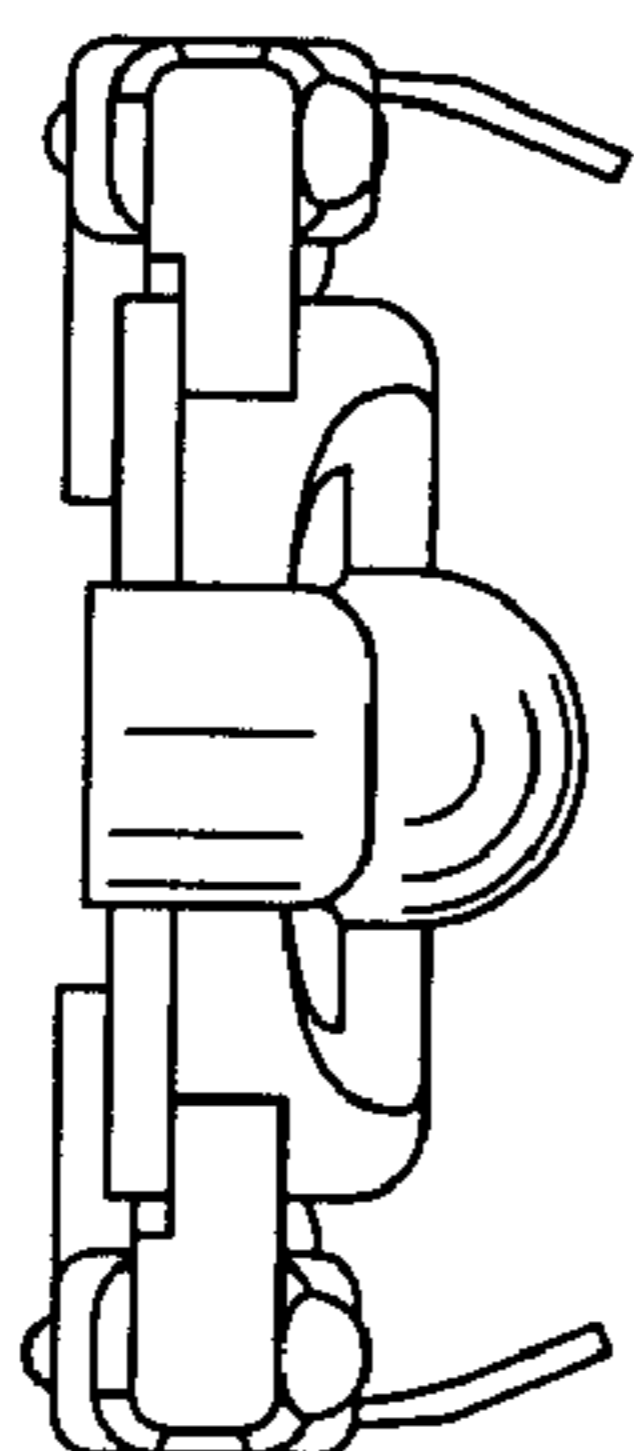


FIG. 4

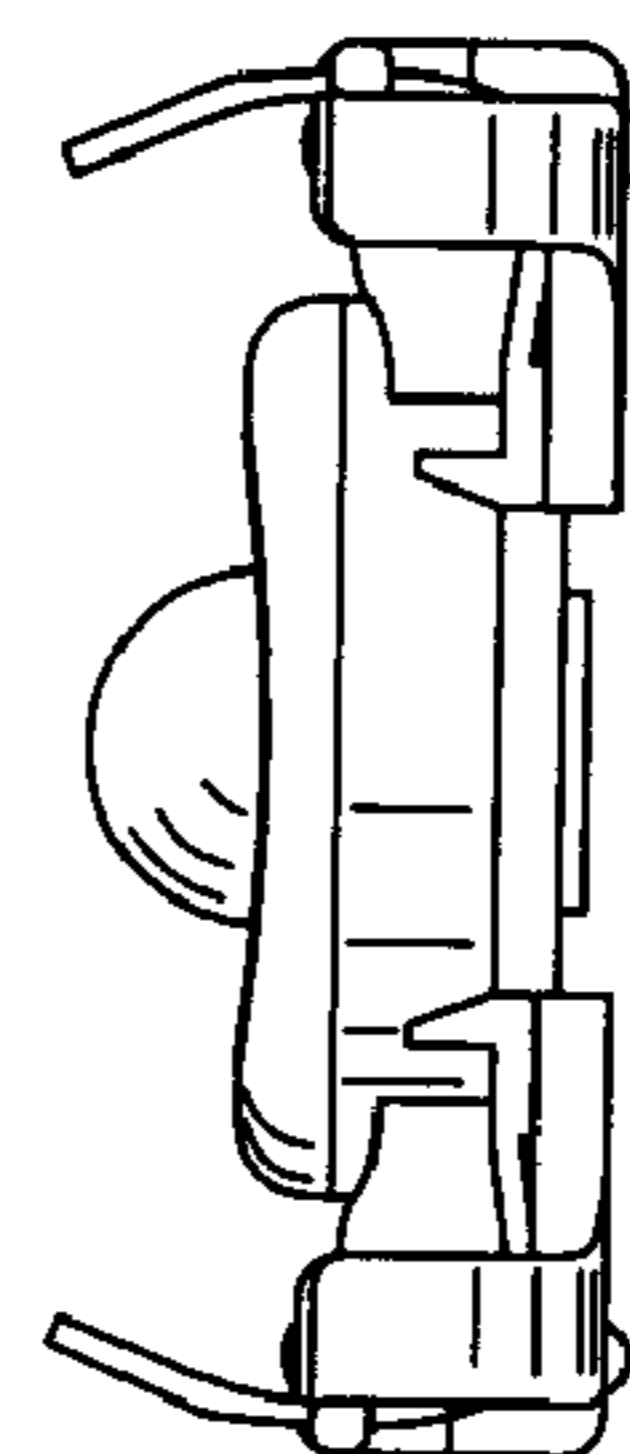


FIG. 5

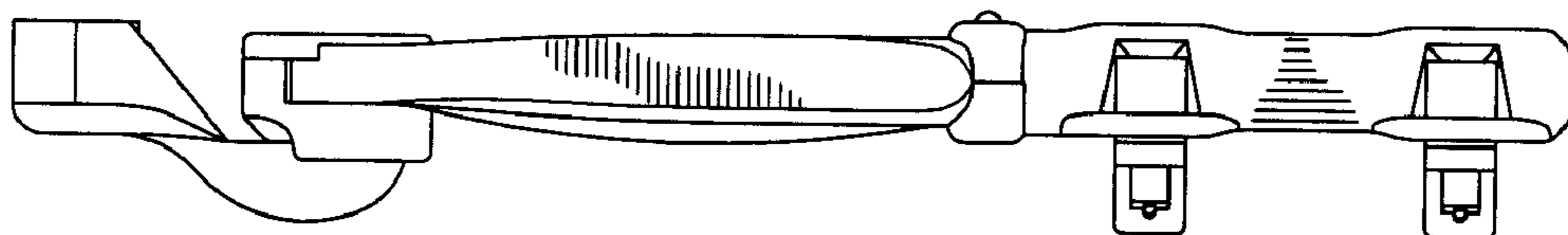


FIG. 6

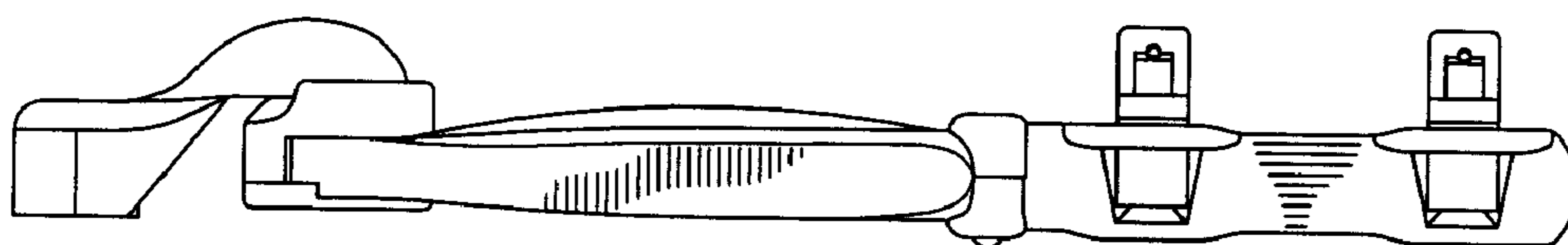


FIG. 7

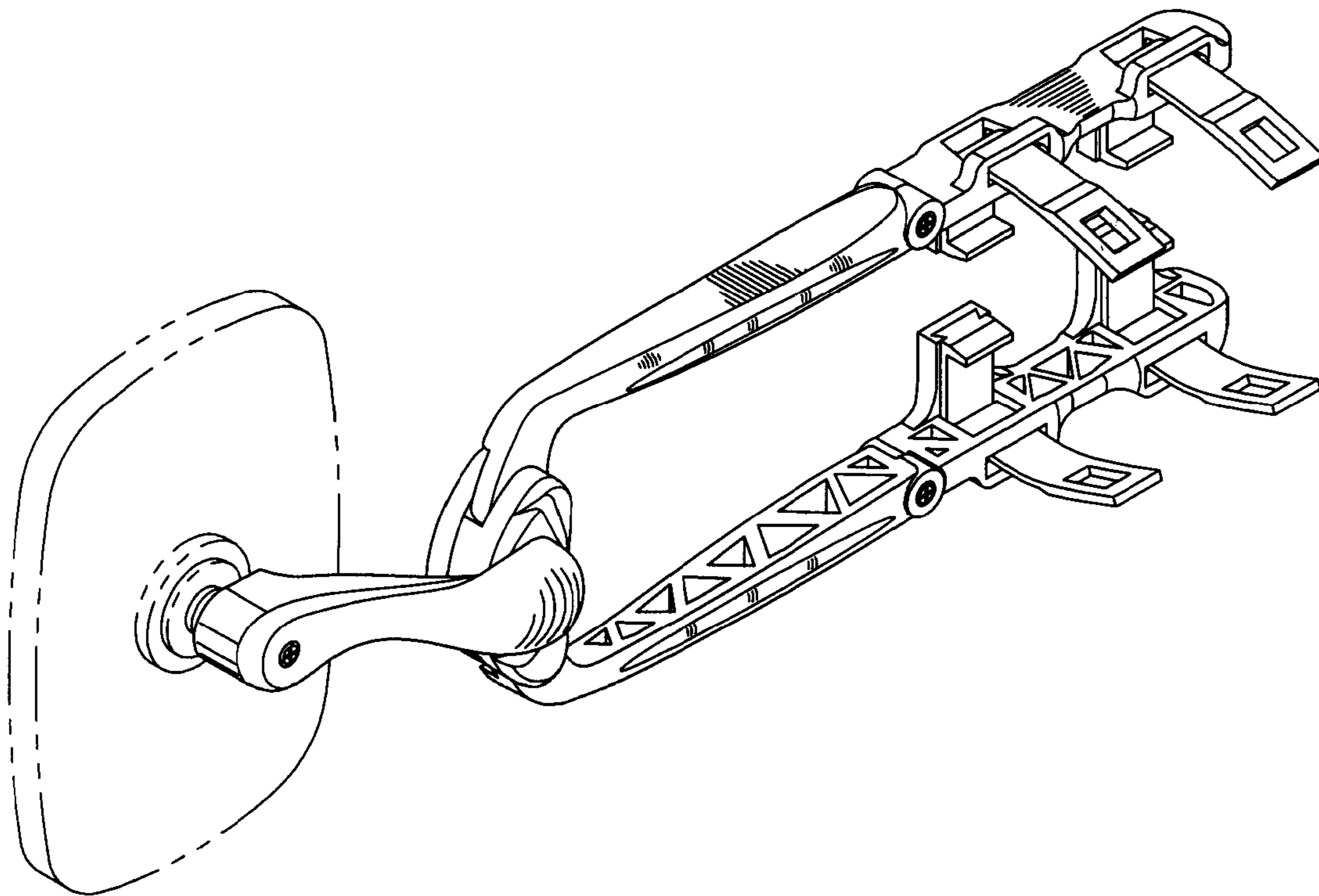


FIG. 8