



US00D544422S

(12) **United States Design Patent**
Heilaneh et al.

(10) **Patent No.:** **US D544,422 S**
(45) **Date of Patent:** **** Jun. 12, 2007**

(54) **MIRROR BRACKET**

(74) *Attorney, Agent, or Firm*—Sidley Austin LLP

(75) Inventors: **Louis D. Heilaneh**, Lewisville, TX
(US); **Troy R. McCuller**, Corinth, TX
(US)

(57) **CLAIM**

The ornamental design for a mirror bracket, as shown and described.

(73) Assignee: **Paccar Inc**, Bellevue, WA (US)

(**) Term: **14 Years**

DESCRIPTION

(21) Appl. No.: **29/225,775**

FIGS. 1–7 illustrate a first embodiment of our novel design suitable for use on the left or driver’s side of a motor vehicle.

(22) Filed: **Mar. 18, 2005**

FIG. 1 is an oblique view of a mirror bracket showing our new design;

(51) **LOC (8) Cl.** **12-16**

FIG. 2 is a frontal view of the mirror bracket shown in FIG. 1;

(52) **U.S. Cl.** **D12/187**

FIG. 3 is a side view of the mirror bracket shown in FIG. 2; FIG. 4 is an opposite side view of the mirror bracket shown in FIG. 2;

(58) **Field of Classification Search** D12/187,
D12/188, 189, 223; 248/300, 309.1, 475.1;
359/838, 871, 875, 841

See application file for complete search history.

FIG. 5 is a rear view of the mirror bracket shown in FIG. 2; FIG. 6 is a top view of the mirror bracket shown in FIG. 2; and,

(56) **References Cited**

U.S. PATENT DOCUMENTS

FIG. 7 is a bottom view of the mirror bracket shown in FIG. 2.

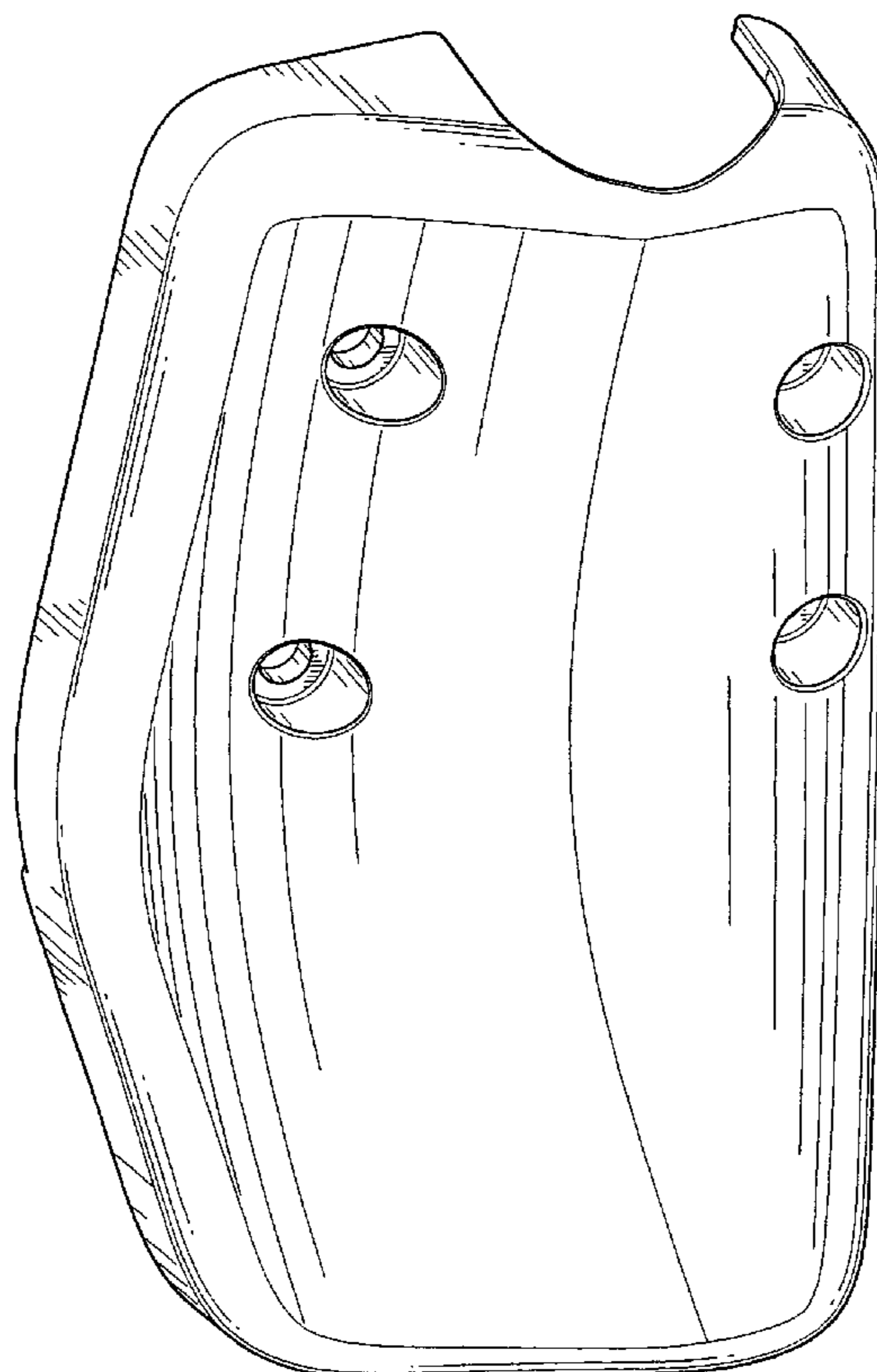
D249,258 S *	9/1978	Hutchinson et al.	D12/187
D395,861 S *	7/1998	Schmidt et al.	D12/187
D424,001 S *	5/2000	Englander	D12/187
D479,169 S *	9/2003	Schmidt et al.	D12/187

Our novel design also includes a second embodiment suitable for use on the right or passenger side of a motor vehicle which is mirror symmetrical to FIGS. 1–7 and therefore not separately illustrated.

* cited by examiner

Primary Examiner—Holly H. Baynham
Assistant Examiner—Sheryl Friedman

1 Claim, 5 Drawing Sheets



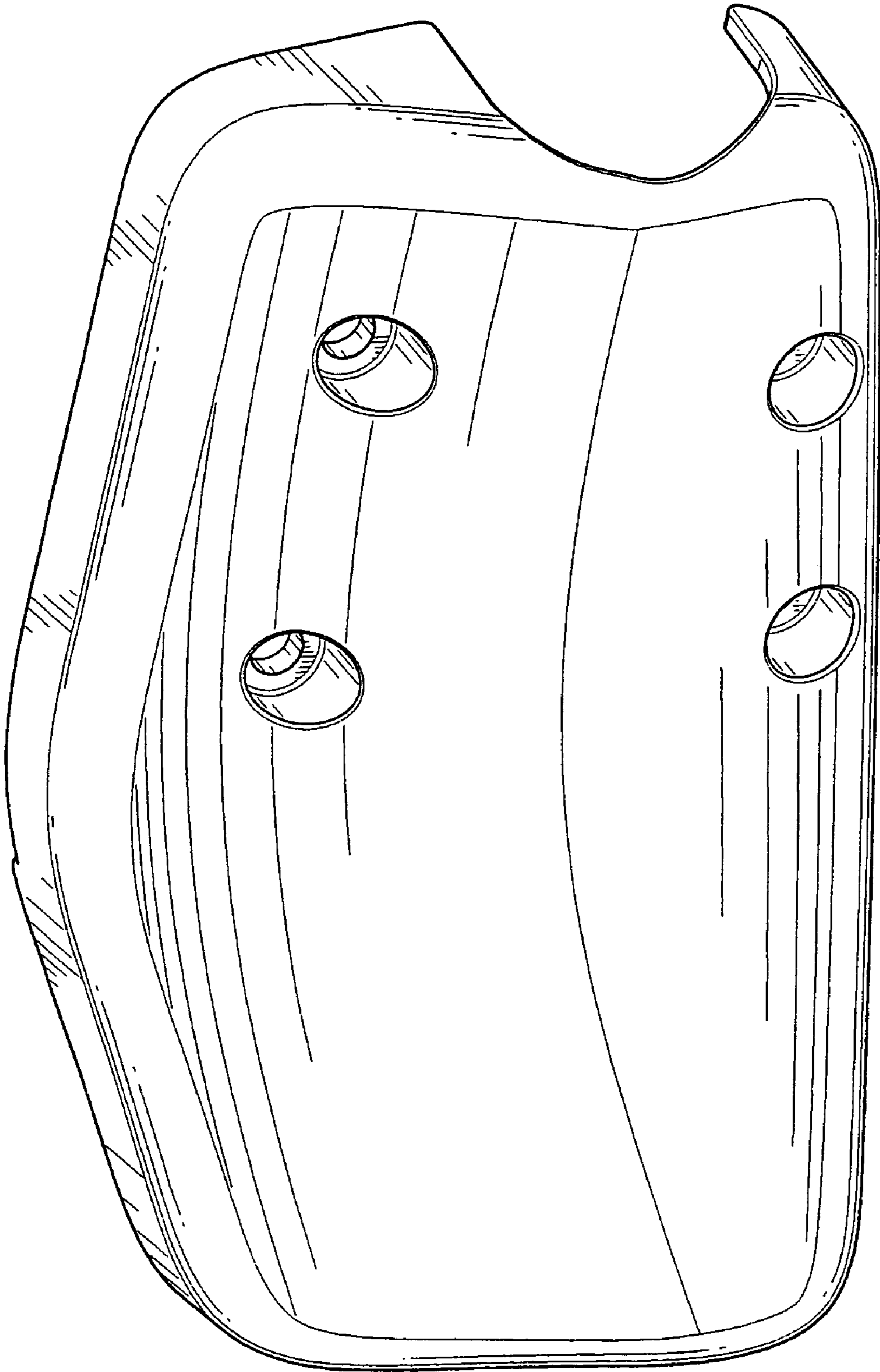


FIG. 1

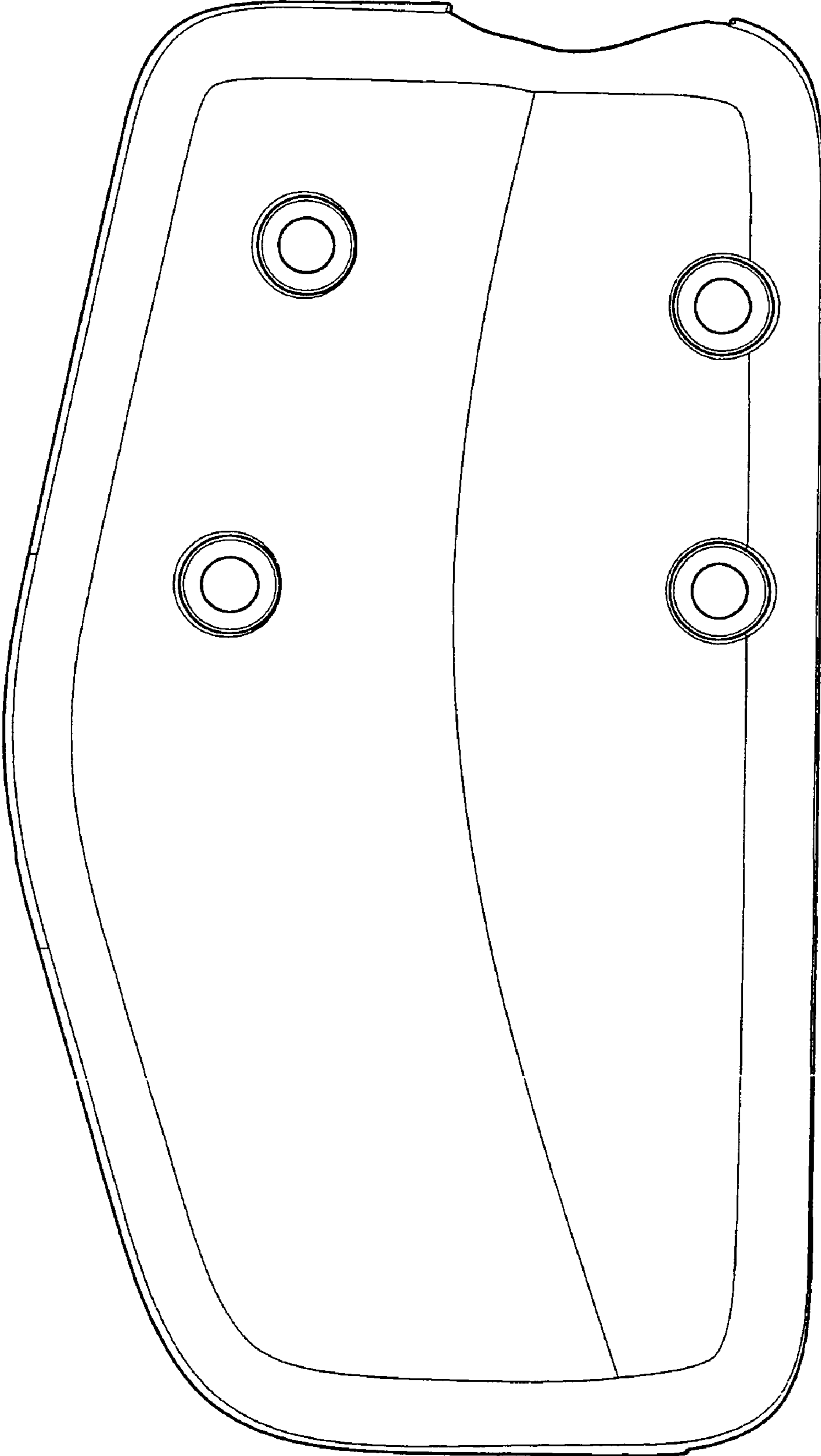


FIG. 2

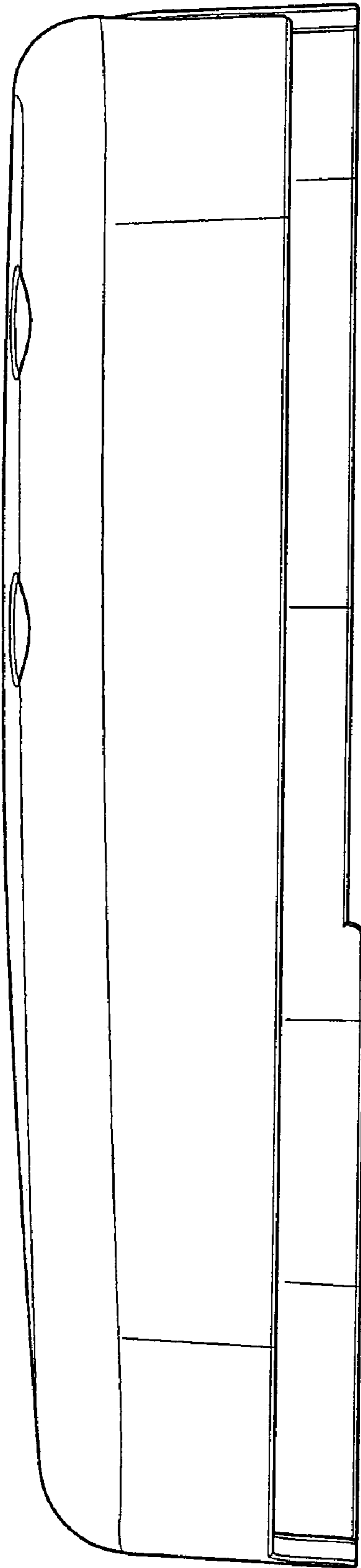


FIG. 3

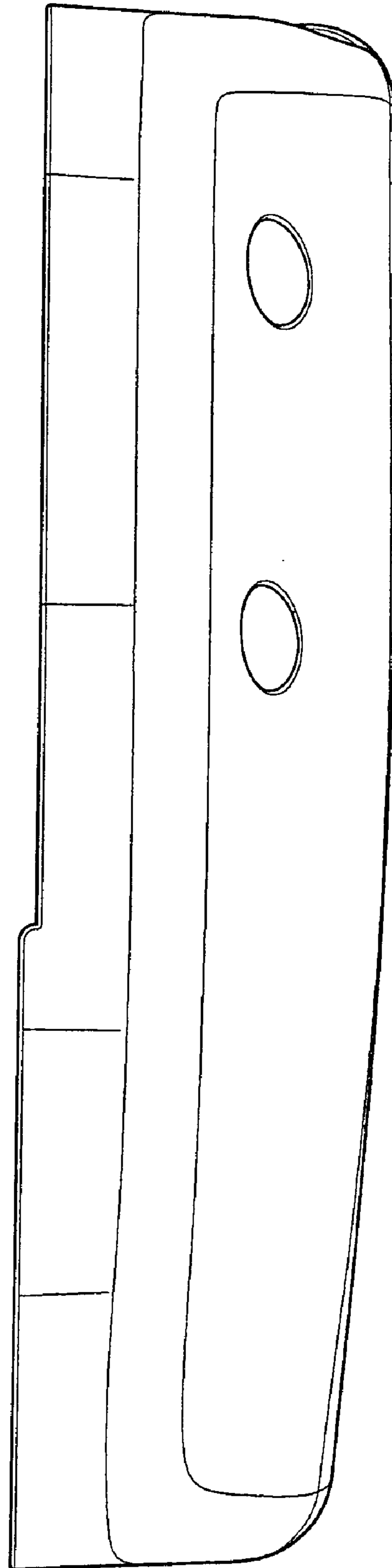


FIG. 4

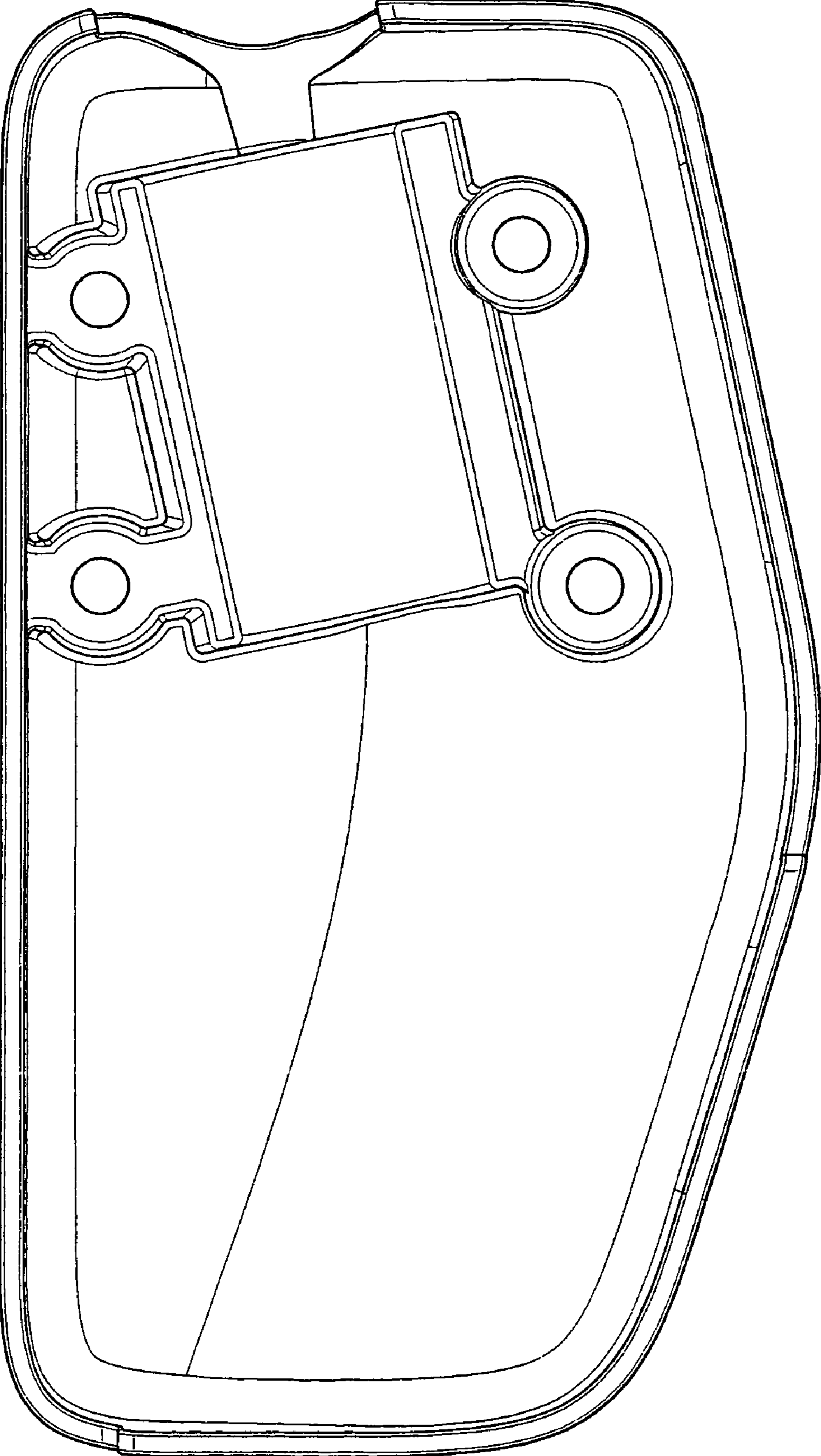


FIG. 5

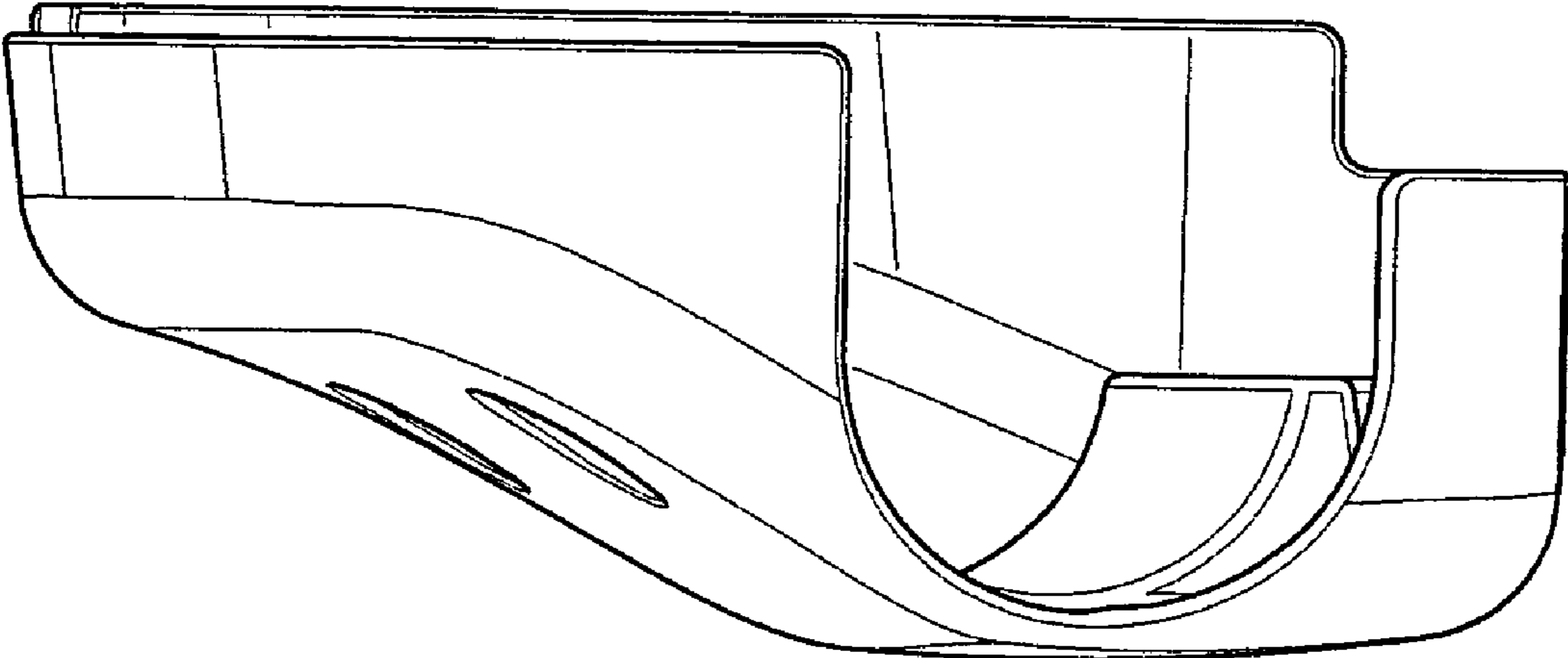


FIG. 6

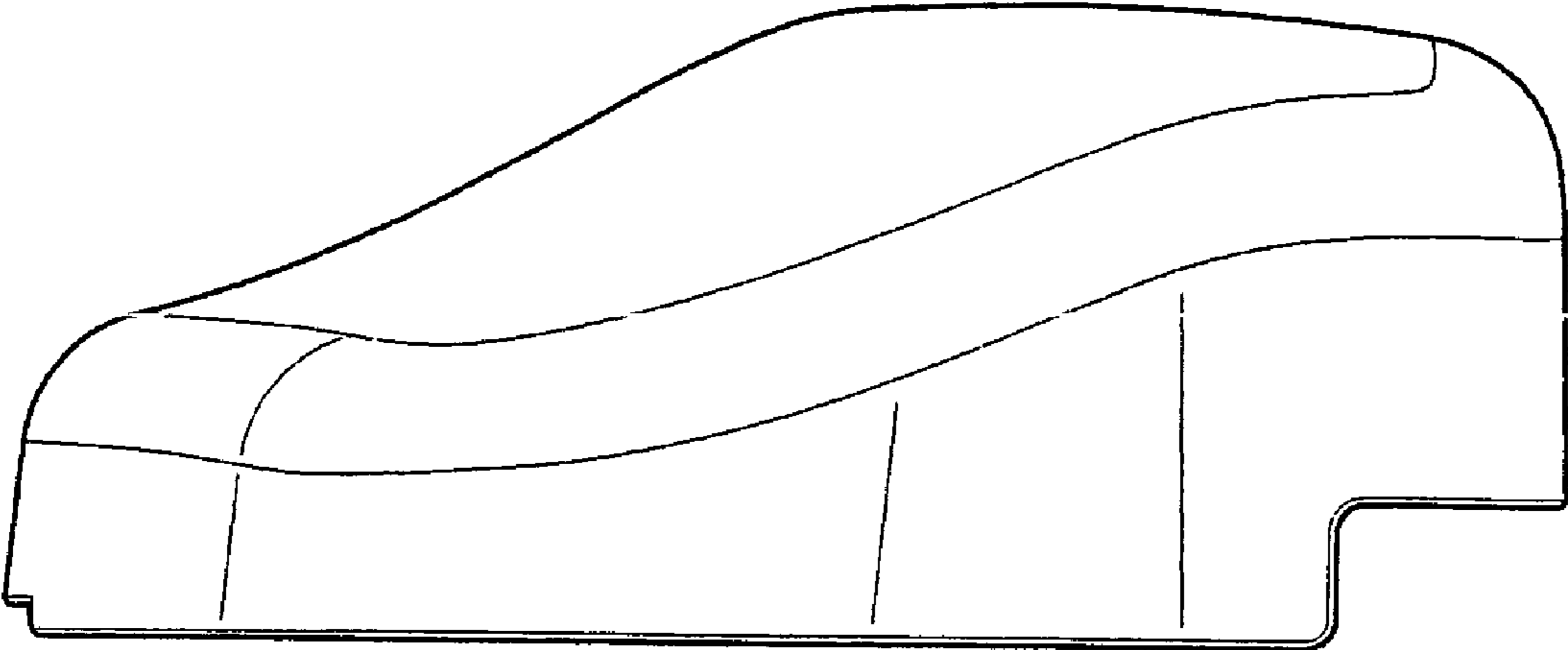


FIG. 7

UNITED STATES PATENT AND TRADEMARK OFFICE
CERTIFICATE OF CORRECTION

PATENT NO. : Des. 544,422 S
APPLICATION NO. : 29/225775
DATED : June 12, 2007
INVENTOR(S) : Louis D. Heilaneh et al.

Page 1 of 1

It is certified that error appears in the above-identified patent and that said Letters Patent is hereby corrected as shown below:

<u>COLUMN</u>	<u>LINE</u>	<u>ERROR</u>
Item (73) Pg. 1, col. 1	Assignee	“Paccar Inc,” should read --PACCAR Inc,--
Item (57) Pg. 1, col. 2	Description, line 1	“FIGS. 1-7 illustrate a first embodiment of our novel design” should read --FIGS. 1-7 illustrate our novel design--

Signed and Sealed this

Twenty-fifth Day of December, 2007



JON W. DUDAS

Director of the United States Patent and Trademark Office