

US00D544421S

(12) **United States Design Patent**  
**Hanamura**

(10) **Patent No.:** **US D544,421 S**

(45) **Date of Patent:** **\*\* Jun. 12, 2007**

(54) **SHIFT AND BRAKE CONTROL UNIT FOR A BICYCLE**

(75) Inventor: **Junichi Hanamura**, Sakai (JP)

(73) Assignee: **Shimano Inc.**, Sakai, Osaka (JP)

(\*\*) Term: **14 Years**

(21) Appl. No.: **29/261,243**

(22) Filed: **Jun. 9, 2006**

(30) **Foreign Application Priority Data**

Dec. 16, 2005 (EM) ..... 000450424-0001/0008

(51) **LOC (8) Cl.** ..... **12-11**

(52) **U.S. Cl.** ..... **D12/179**

(58) **Field of Classification Search** ..... D12/110,  
D12/179, 111; 74/486-489, 491, 502.2,  
74/502.4, 502.6, 551.8, 551.9, 473.13, 473.14,  
74/473.15; 188/24.11-24.22, 2 D, 344, 359  
See application file for complete search history.

(56) **References Cited**

**OTHER PUBLICATIONS**

Colorado Cyclist Winter 1998, Shimano shifters and brake levers on p. 55.\*

\* cited by examiner

*Primary Examiner*—Alan P. Douglas

*Assistant Examiner*—Linda Brooks

(74) *Attorney, Agent, or Firm*—Jeffer Mangels; Butler & Marmaro LLP

(57) **CLAIM**

The ornamental design for a shift and brake control unit for a bicycle, as shown and described.

**DESCRIPTION**

FIG. 1 is a top plan view of the shift and brake control unit for a bicycle;

FIG. 2 is a rear elevational view of the shift and brake control unit for a bicycle of FIG. 1;

FIG. 3 is a bottom plan view of the shift and brake control unit for a bicycle of FIG. 1;

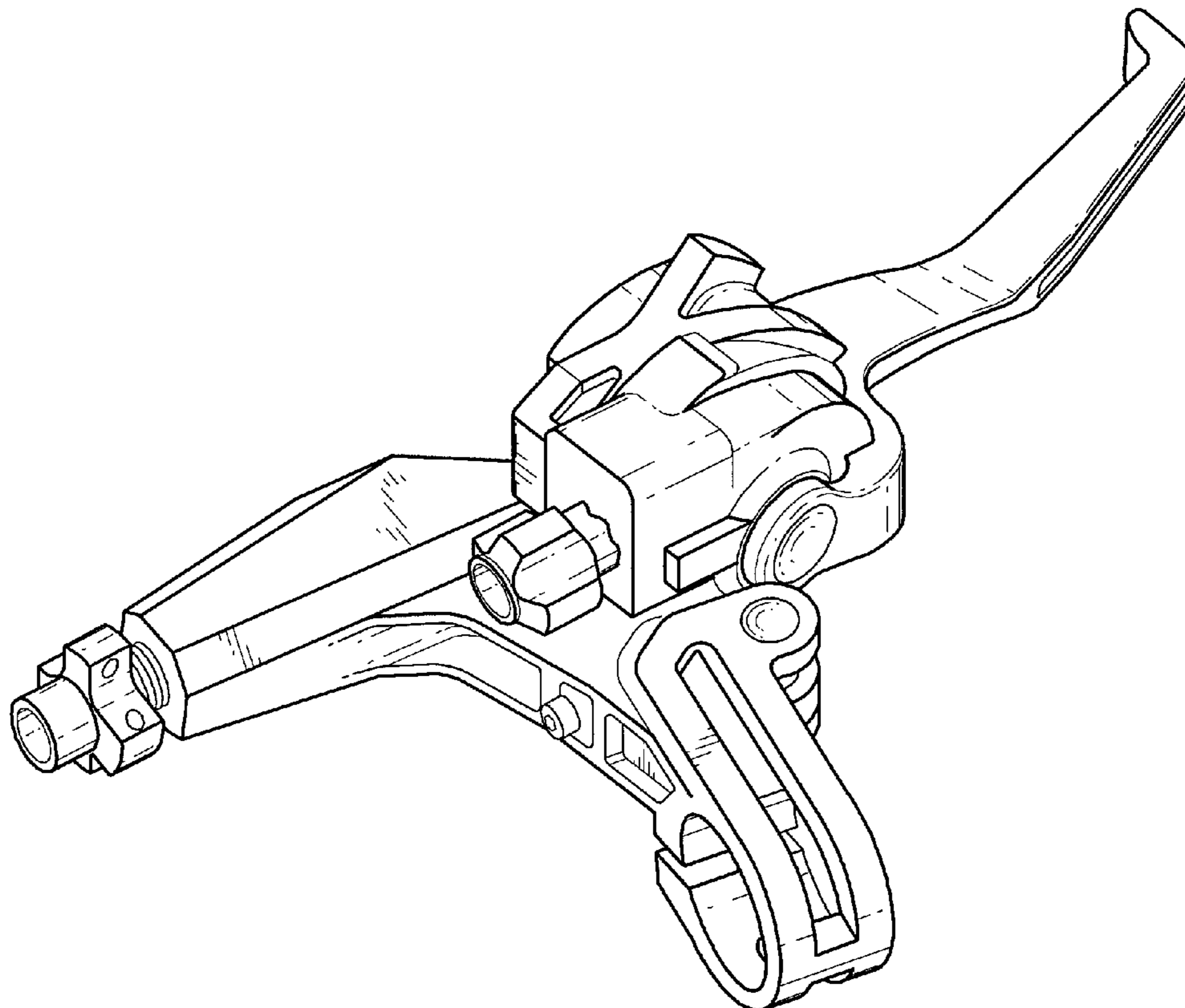
FIG. 4 is a left side elevational view of the shift and brake control unit for a bicycle of FIG. 1;

FIG. 5 is a perspective view of the shift and brake control unit for a bicycle of FIG. 1;

FIG. 6 is a right side elevational view of the shift and brake control unit for a bicycle of FIG. 1; and,

FIG. 7 is a front elevational view of the shift and brake control unit for a bicycle of FIG. 1.

**1 Claim, 7 Drawing Sheets**



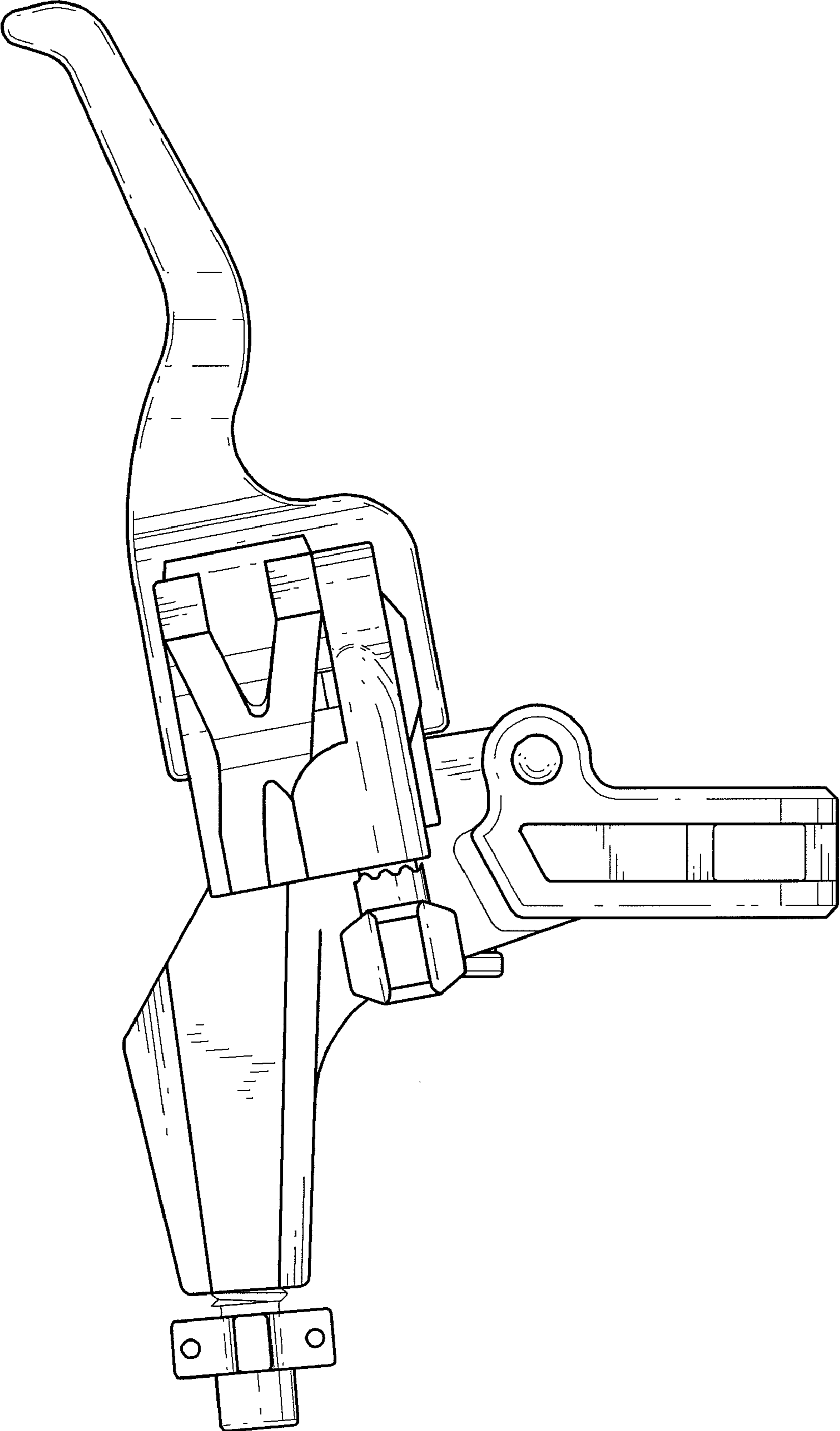


FIG. 1

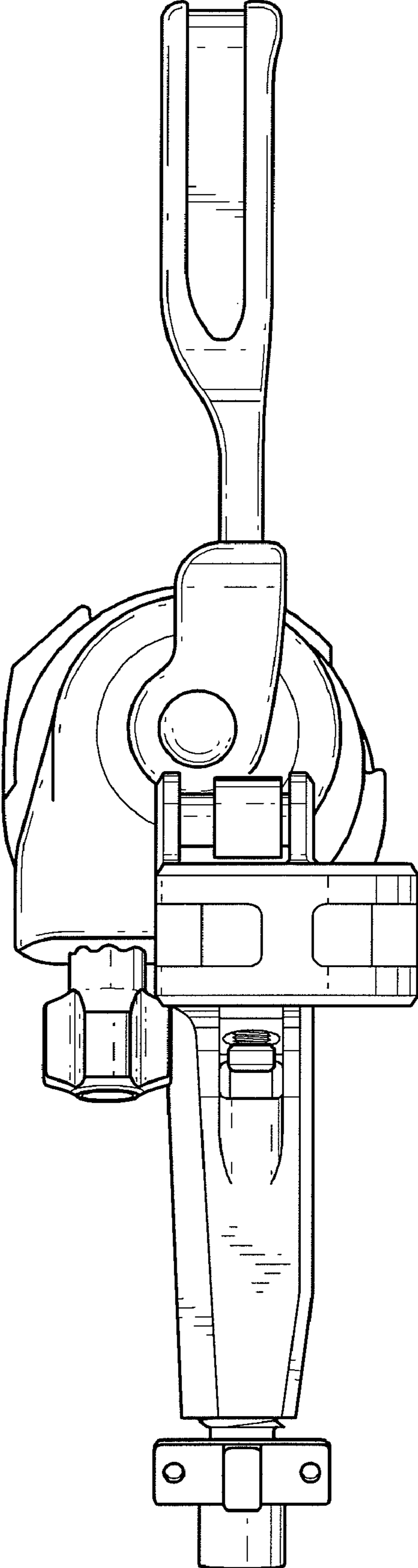


FIG. 2

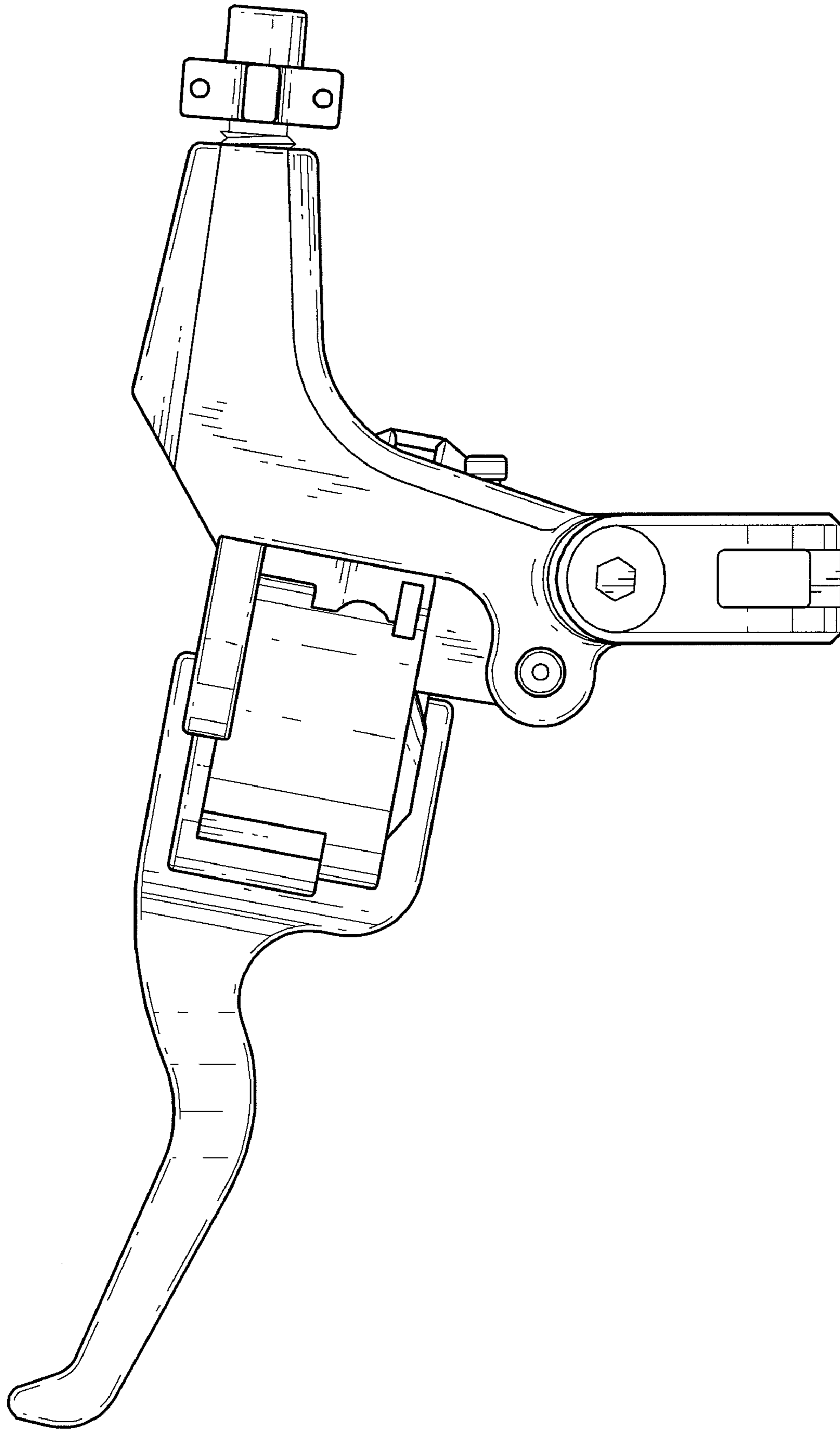


FIG. 3

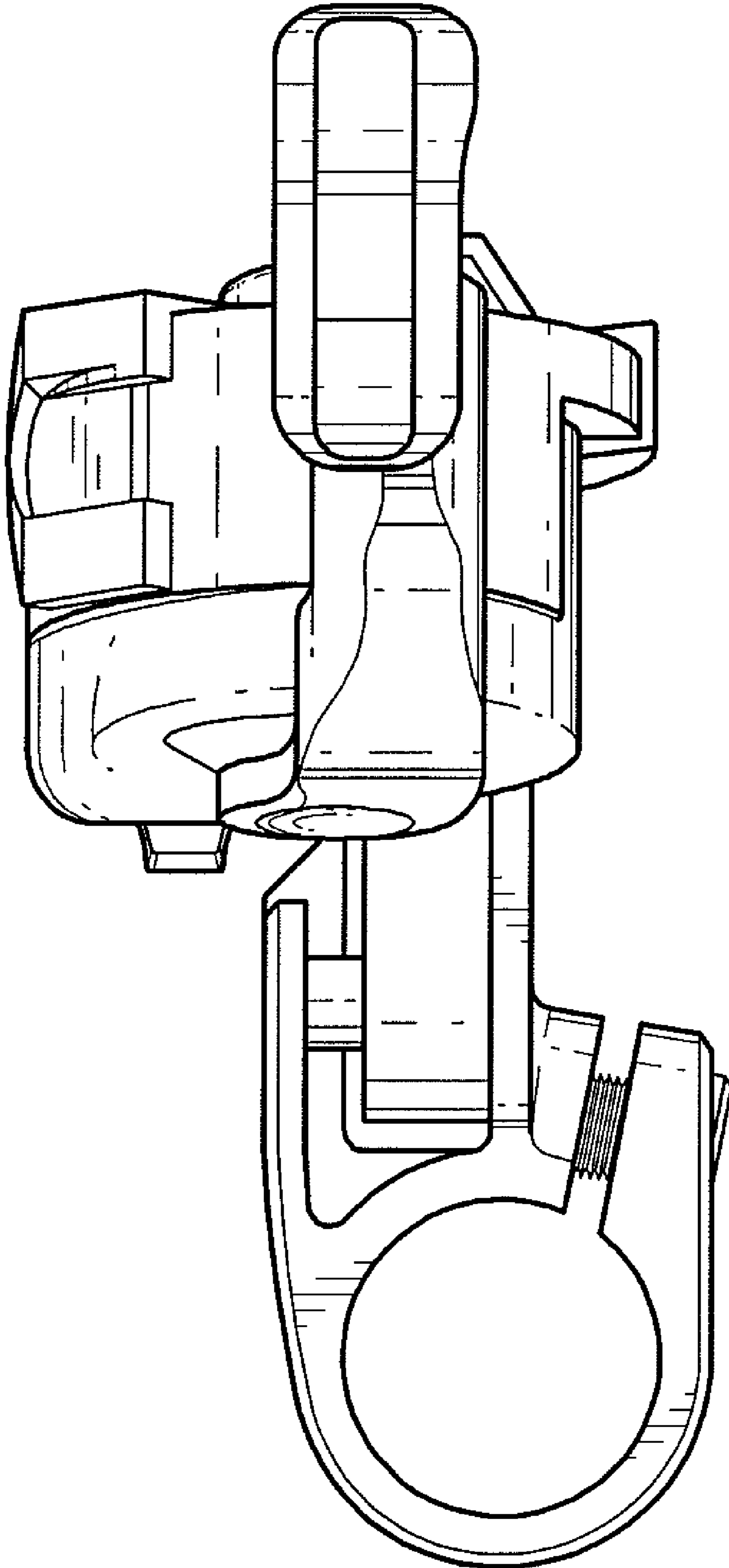


FIG. 4

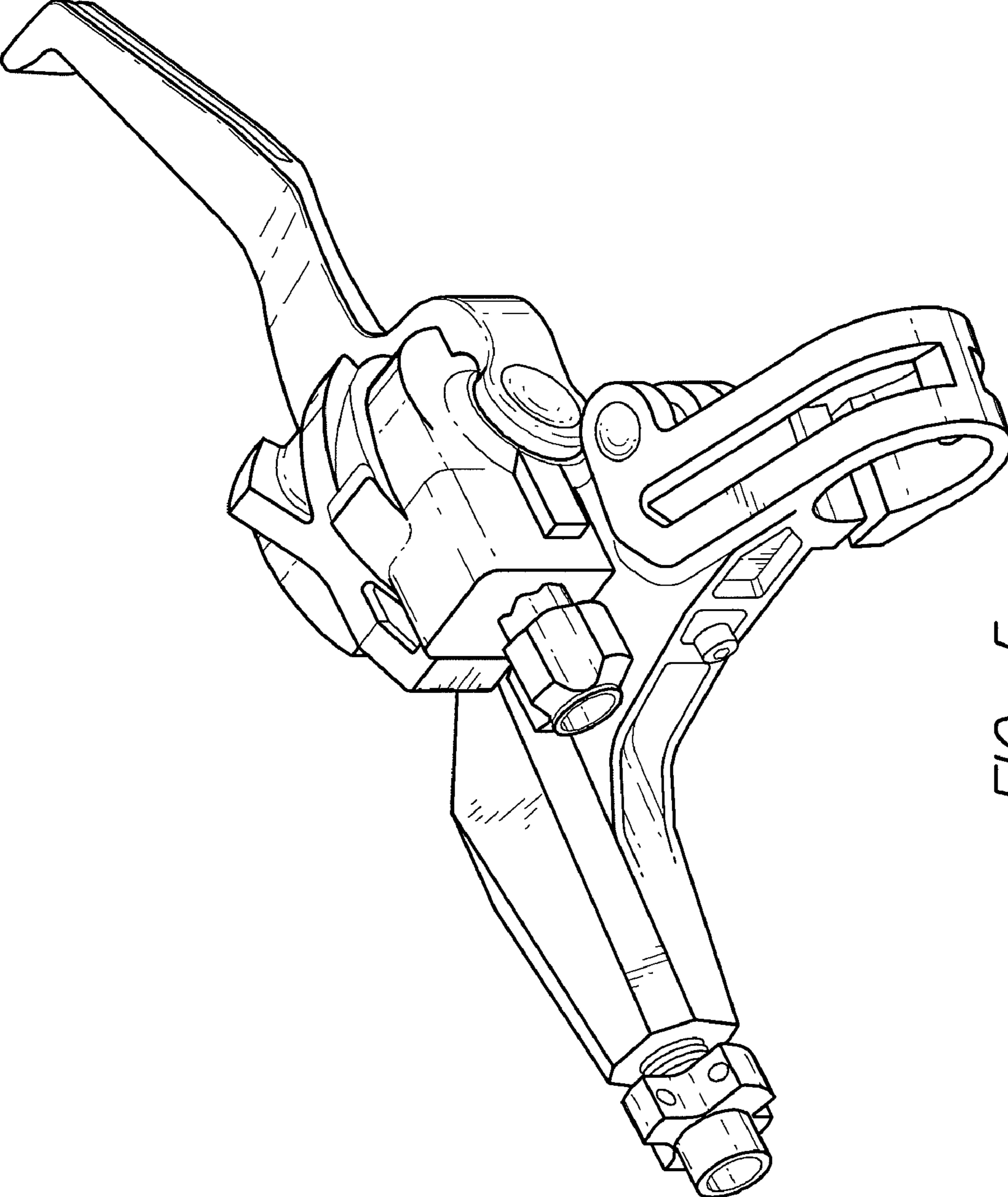


FIG. 5

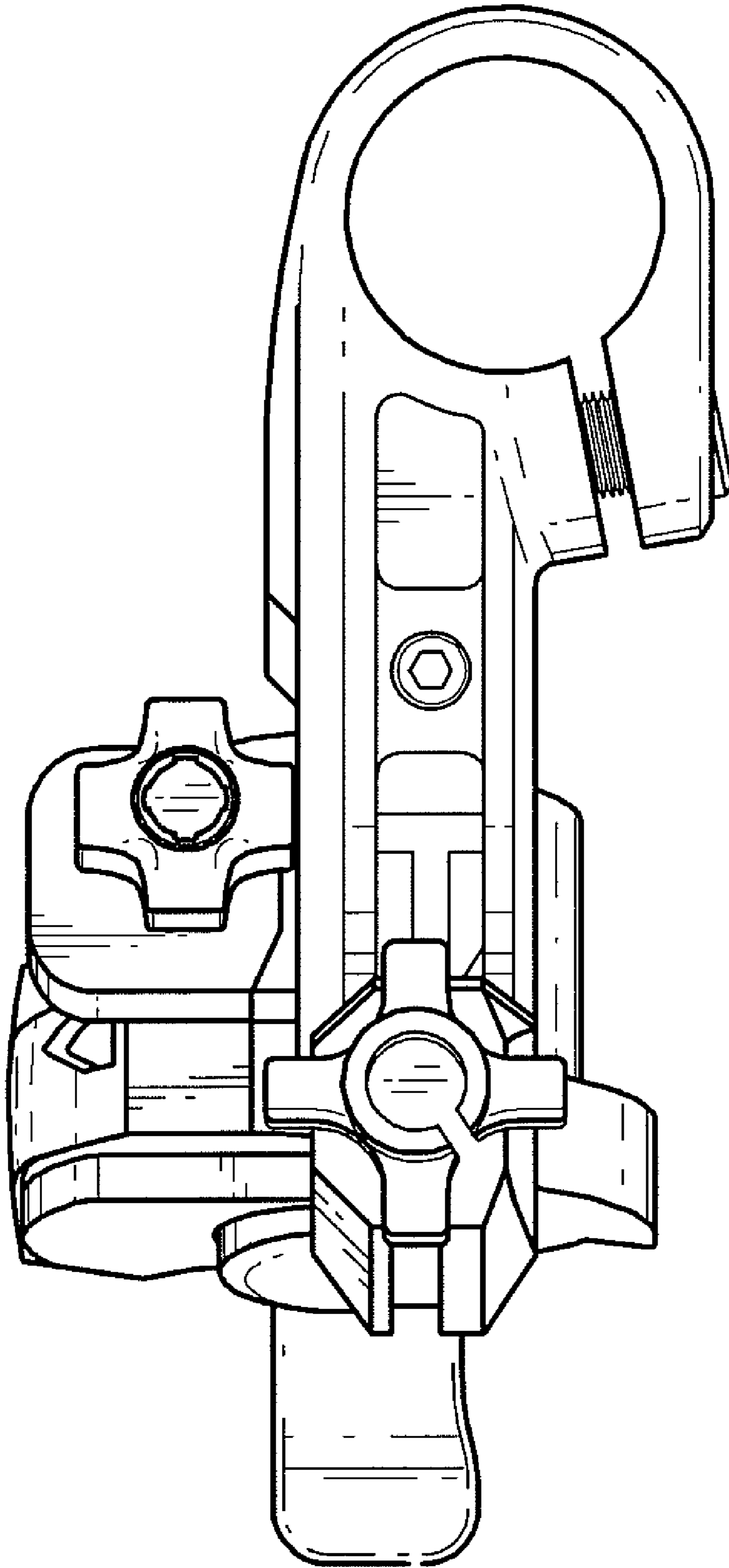


FIG. 6

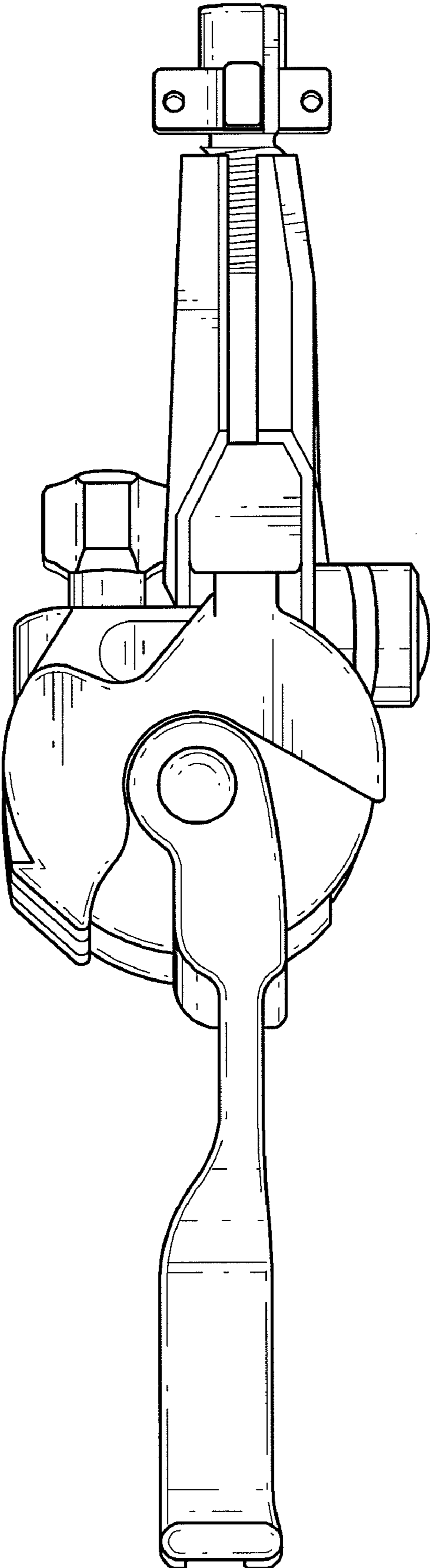


FIG. 7