

US00D544408S

(12) **United States Design Patent**
Weekes

(10) **Patent No.:** **US D544,408 S**

(45) **Date of Patent:** **** Jun. 12, 2007**

(54) **TRAILER SIDE RAIL**

(75) Inventor: **Gregory L. Weekes**, Boynton Beach,
FL (US)

(73) Assignee: **Eastern Metal Supply, Inc.**, Lake
Worth, FL (US)

(**) Term: **14 Years**

(21) Appl. No.: **29/225,419**

(22) Filed: **Mar. 16, 2005**

(51) **LOC (8) Cl.** **12-10**

(52) **U.S. Cl.** **D12/106**

(58) **Field of Classification Search** D6/480-489,
D6/495, 511; D25/1, 43, 61, 102; 52/731.7,
52/731.8; 108/153.1

See application file for complete search history.

(56) **References Cited**

U.S. PATENT DOCUMENTS

- 4,723,749 A * 2/1988 Carraro et al. 248/317
- D296,284 S * 6/1988 Colby D6/487
- 4,905,952 A * 3/1990 Pinquist 248/317
- D407,293 S * 3/1999 Haggard D8/320
- D427,814 S * 7/2000 Black D6/484
- D447,575 S * 9/2001 Shaw D25/121

D466,337 S * 12/2002 Feng D6/485

* cited by examiner

Primary Examiner—Holly H. Baynham

Assistant Examiner—Sheryl Friedman

(74) *Attorney, Agent, or Firm*—Robert C. Kain, Jr.; Fleit
Kain

(57) **CLAIM**

I claim the ornamental design for a trailer side rail, as shown
and described.

DESCRIPTION

FIG. 1 is a top perspective view of the trailer side rail
showing a groove pattern on the exterior side wall.

FIG. 2 is bottom perspective view of the trailer side rail
showing a groove pattern on the exterior side wall.

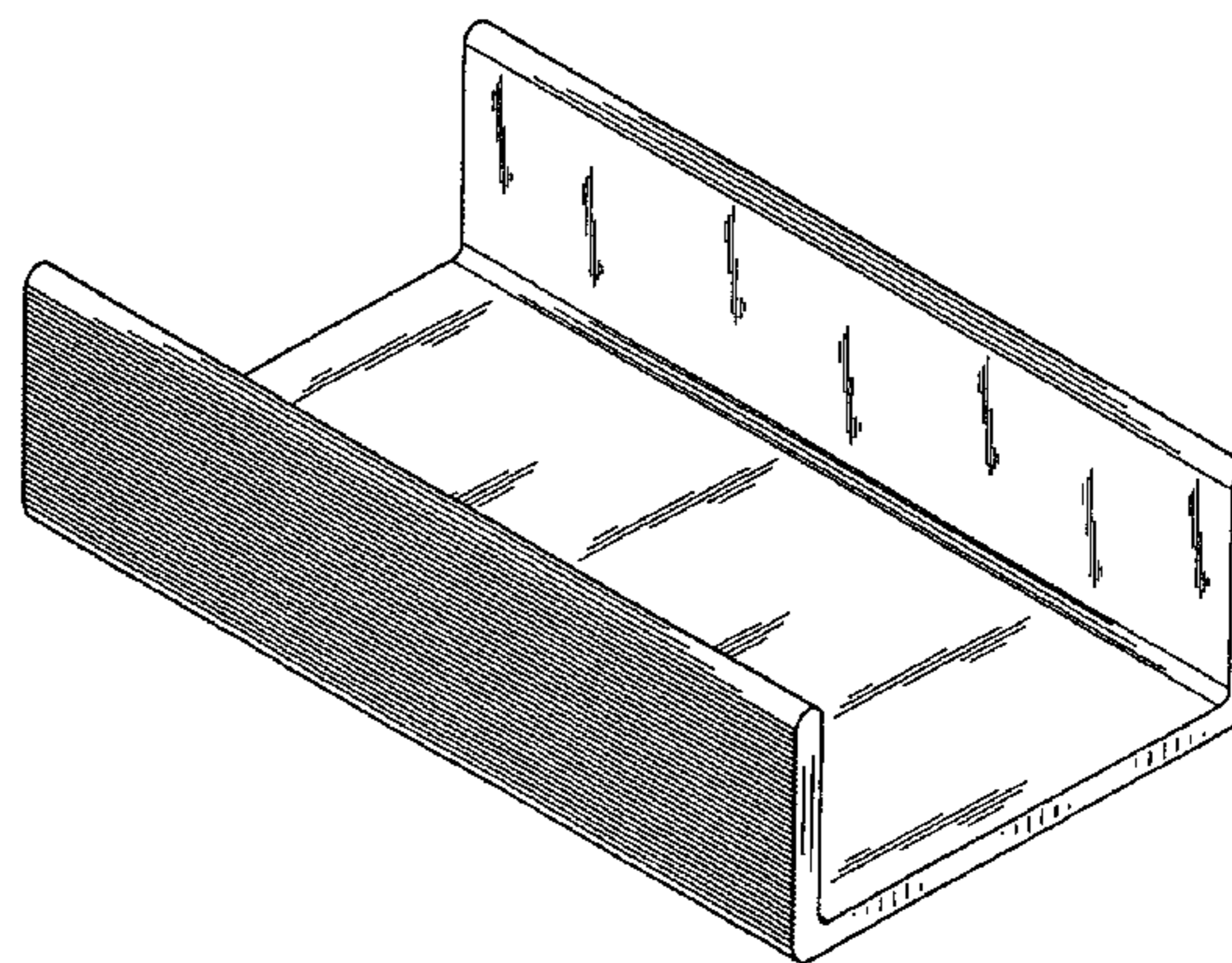
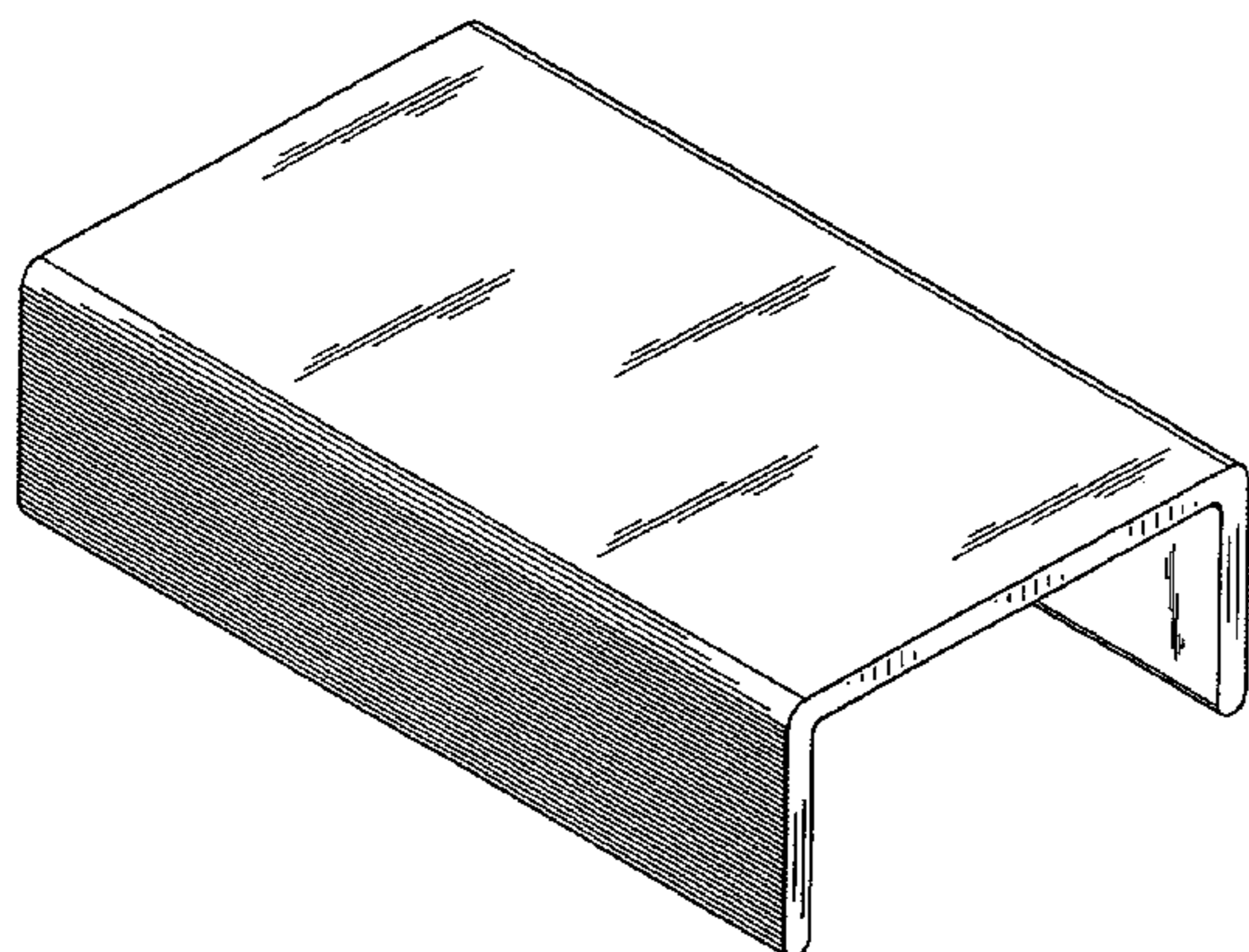
FIG. 3 is a left side view of the trailer side rail showing a
groove pattern on the exterior side walls (the right side view
being identical to the left side view).

FIG. 4 is a top view of the trailer side rail.

FIG. 5 is a bottom view of the trailer side rail; and,

FIG. 6 is a front view of the trailer side rail showing a groove
pattern on the side walls (the rear view being identical to the
front view).

1 Claim, 3 Drawing Sheets



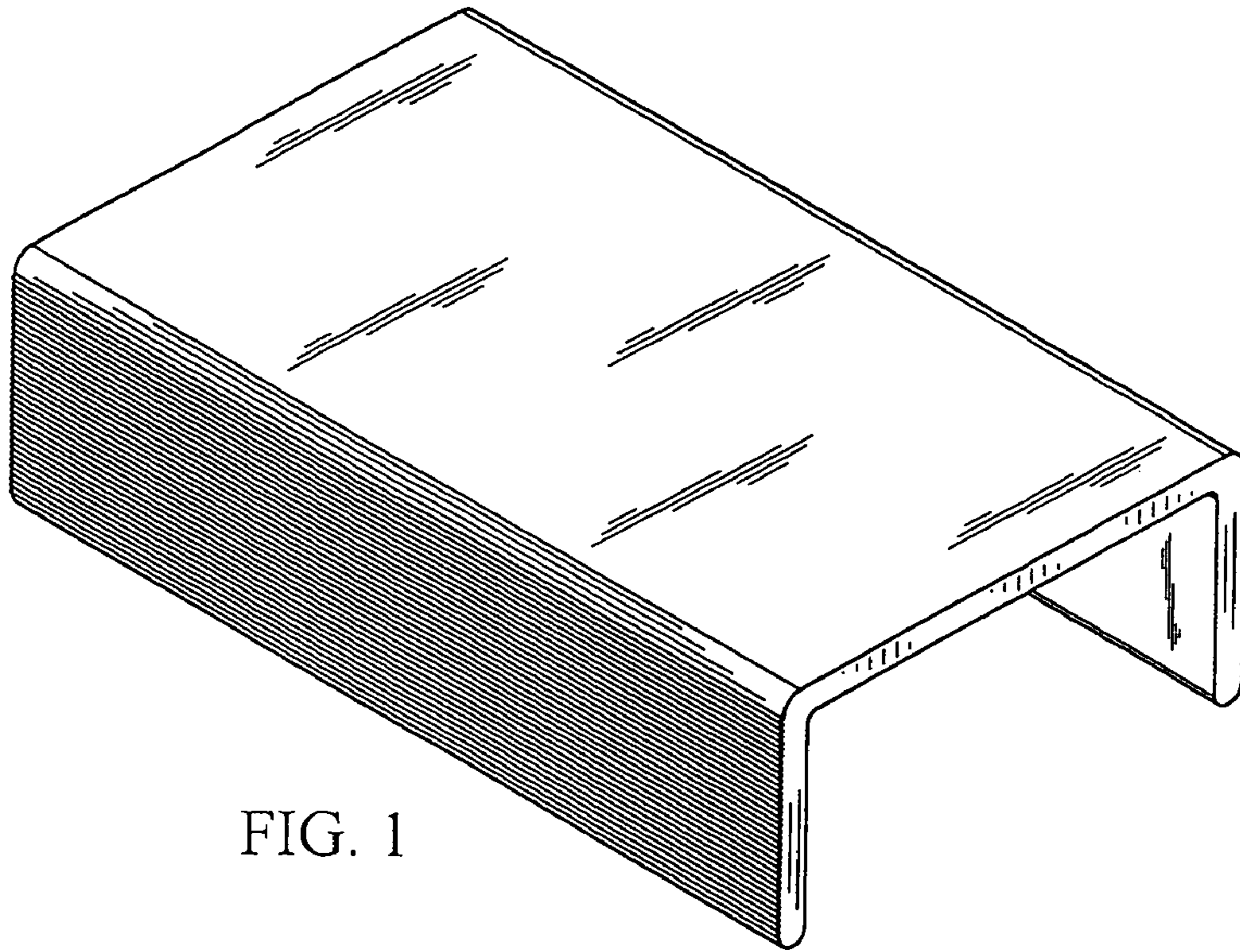


FIG. 1

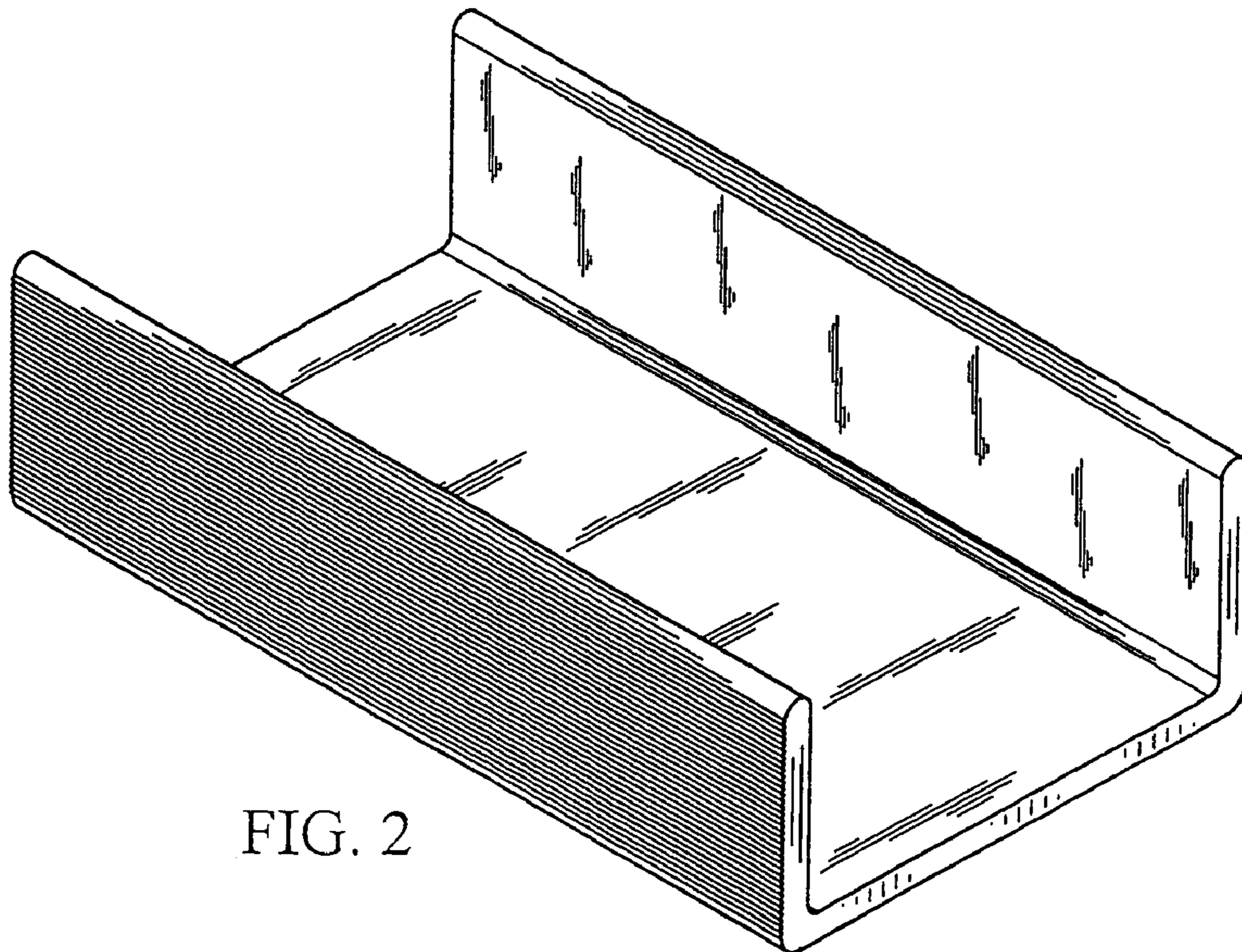


FIG. 2

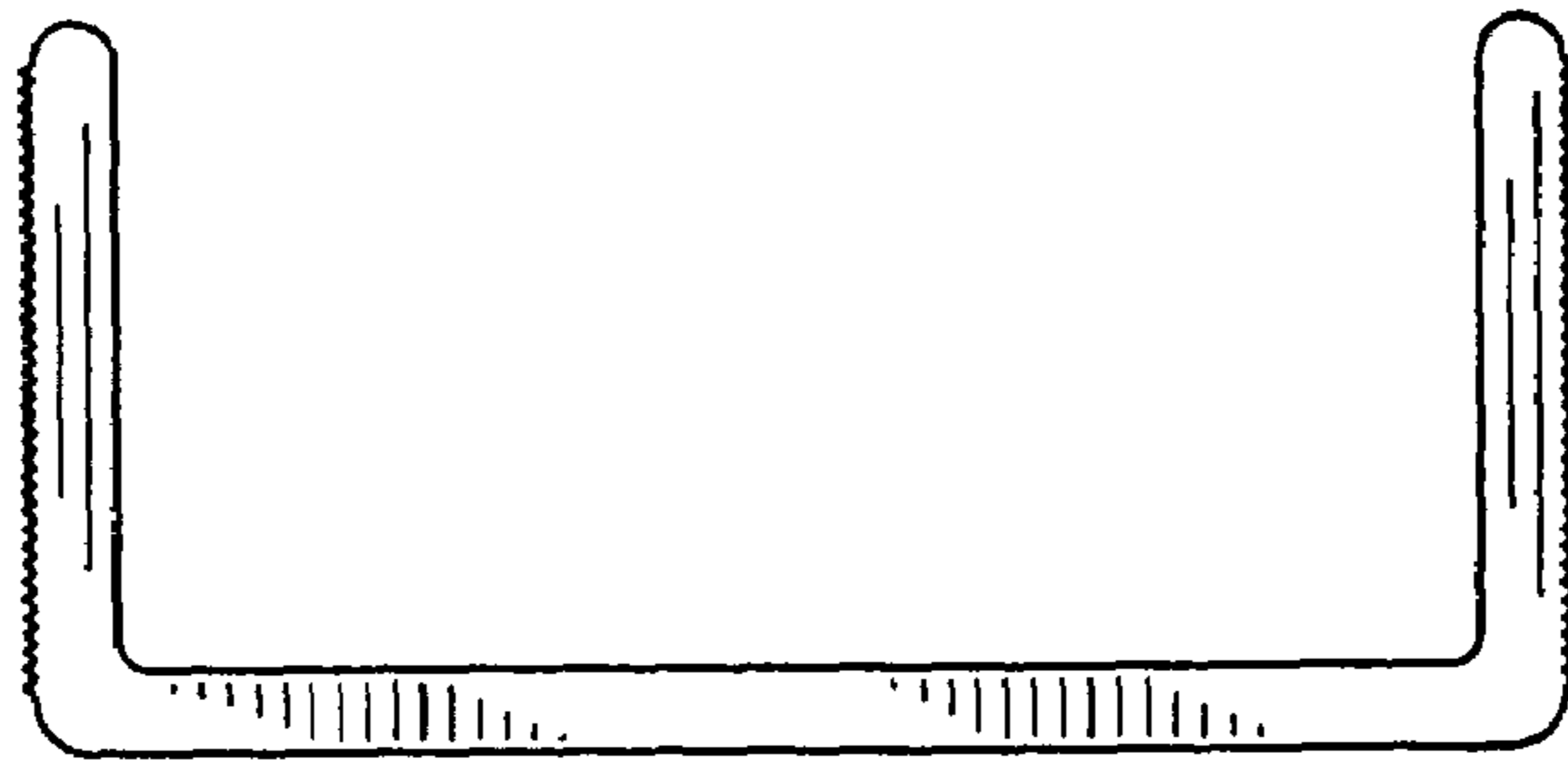


FIG. 3

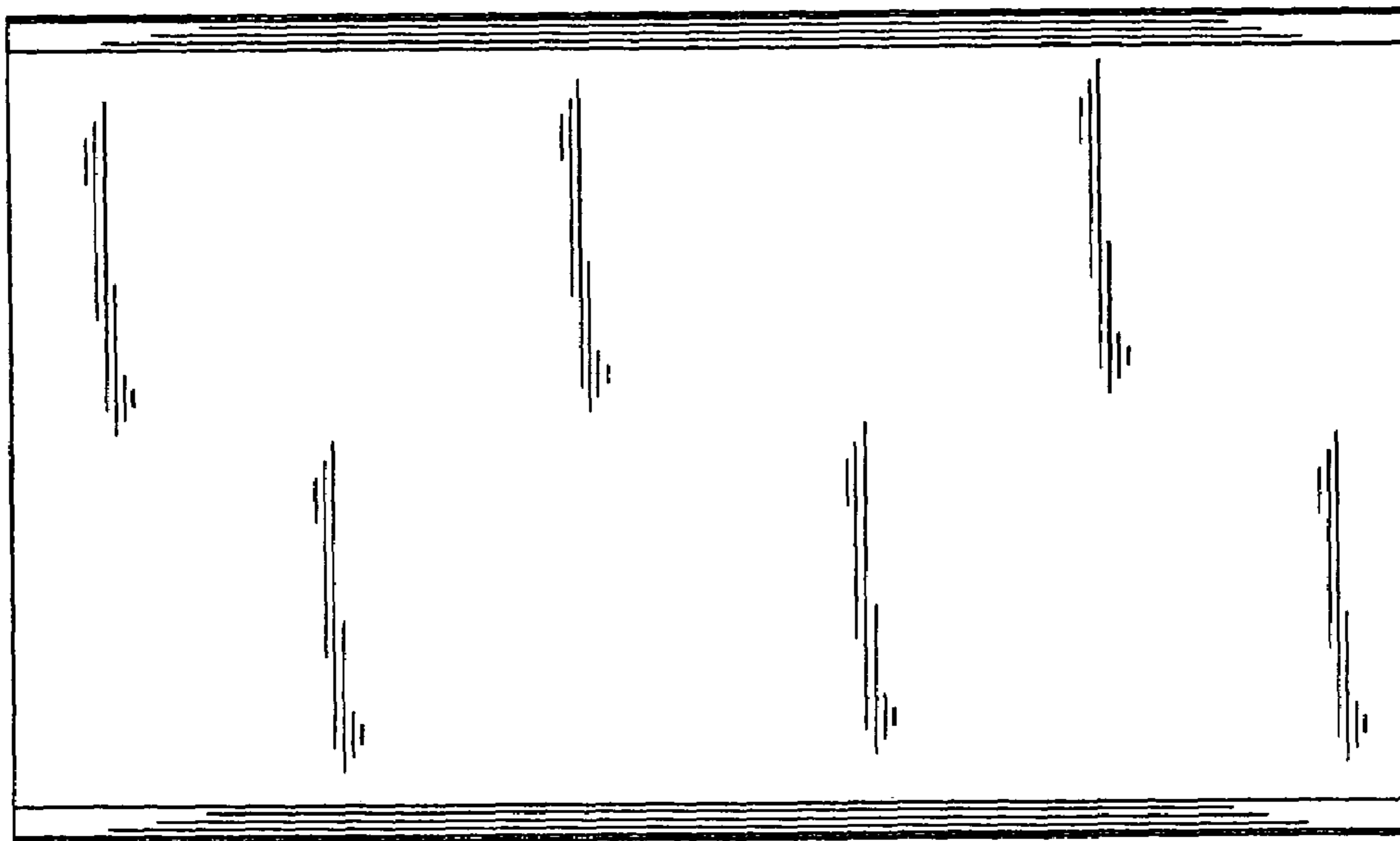


FIG. 4

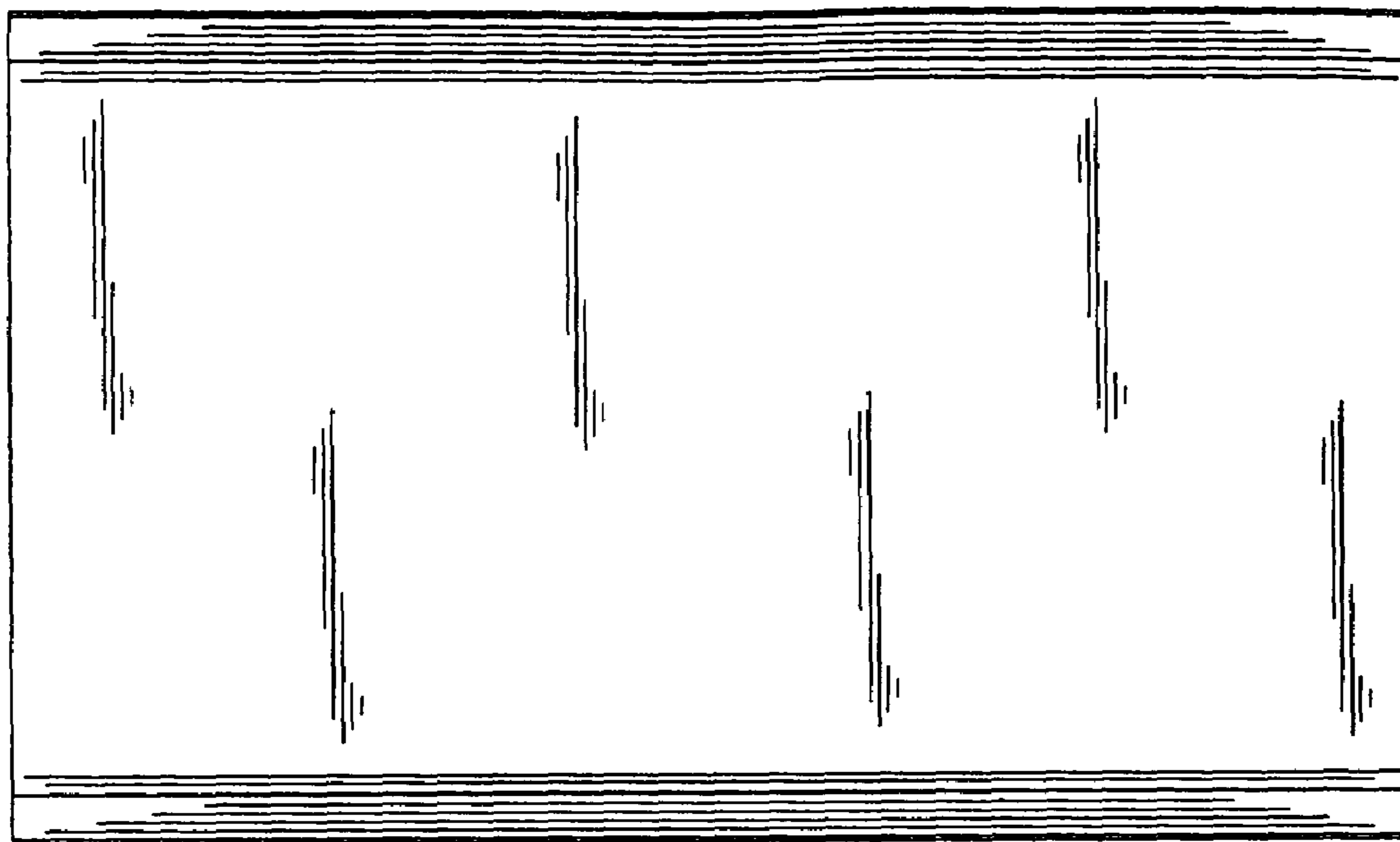


FIG. 5

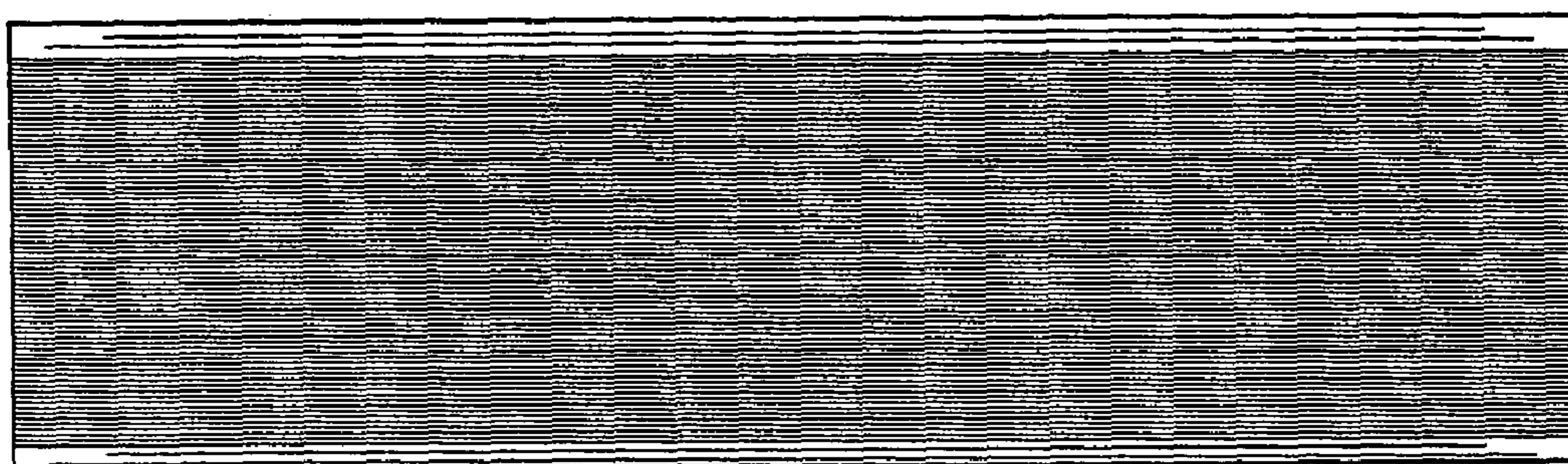


FIG. 6