

US00D544406S

(12) **United States Design Patent**
Lang

(10) **Patent No.:** **US D544,406 S**

(45) **Date of Patent:** **** Jun. 12, 2007**

(54) **TRAILER APPARATUS**

(76) **Inventor:** **Robert D. Lang**, 3503 S. Desert Motif Rd., Tucson, AZ (US) 85735

(**) **Term:** **14 Years**

(21) **Appl. No.:** **29/248,322**

(22) **Filed:** **Aug. 9, 2006**

(51) **LOC (8) Cl.** **12-10**

(52) **U.S. Cl.** **D12/101**

(58) **Field of Classification Search** D12/101-106,
D12/19, 129; D34/24, 26; 296/181.2, 181.3;
280/25, 36, 63, 471, 475, 656, 482, 763.1,
280/648, 47.25

See application file for complete search history.

(56) **References Cited**

U.S. PATENT DOCUMENTS

D152,273 S *	1/1949	Leonard	D12/101
D229,985 S *	1/1974	Trevena	D12/101
3,887,208 A *	6/1975	Vidal	280/47.25
D248,226 S *	6/1978	Sailer, Sr.	D12/101
4,470,610 A *	9/1984	Wilson	280/47.25

D297,720 S *	9/1988	Fragione, Jr.	D12/19
D316,988 S *	5/1991	McCrary	D34/26
D348,237 S *	6/1994	Strodtman	D12/101
D407,347 S *	3/1999	Gallandat	D12/19
D522,409 S *	6/2006	Wittkowski	D12/101

* cited by examiner

Primary Examiner—Stacia Cadmus

(74) *Attorney, Agent, or Firm*—Chandler & Udall, LLP;
Dale F. Regelman

(57) **CLAIM**

The ornamental design for the trailer apparatus, as shown.

DESCRIPTION

FIG. 1 is a left side view of Applicant's trailer apparatus;
FIG. 2 is a right side view thereof;
FIG. 3 is a front view thereof;
FIG. 4 is a back view thereof;
FIG. 5 is a top view thereof; and,
FIG. 6 is a bottom view thereof.

1 Claim, 6 Drawing Sheets

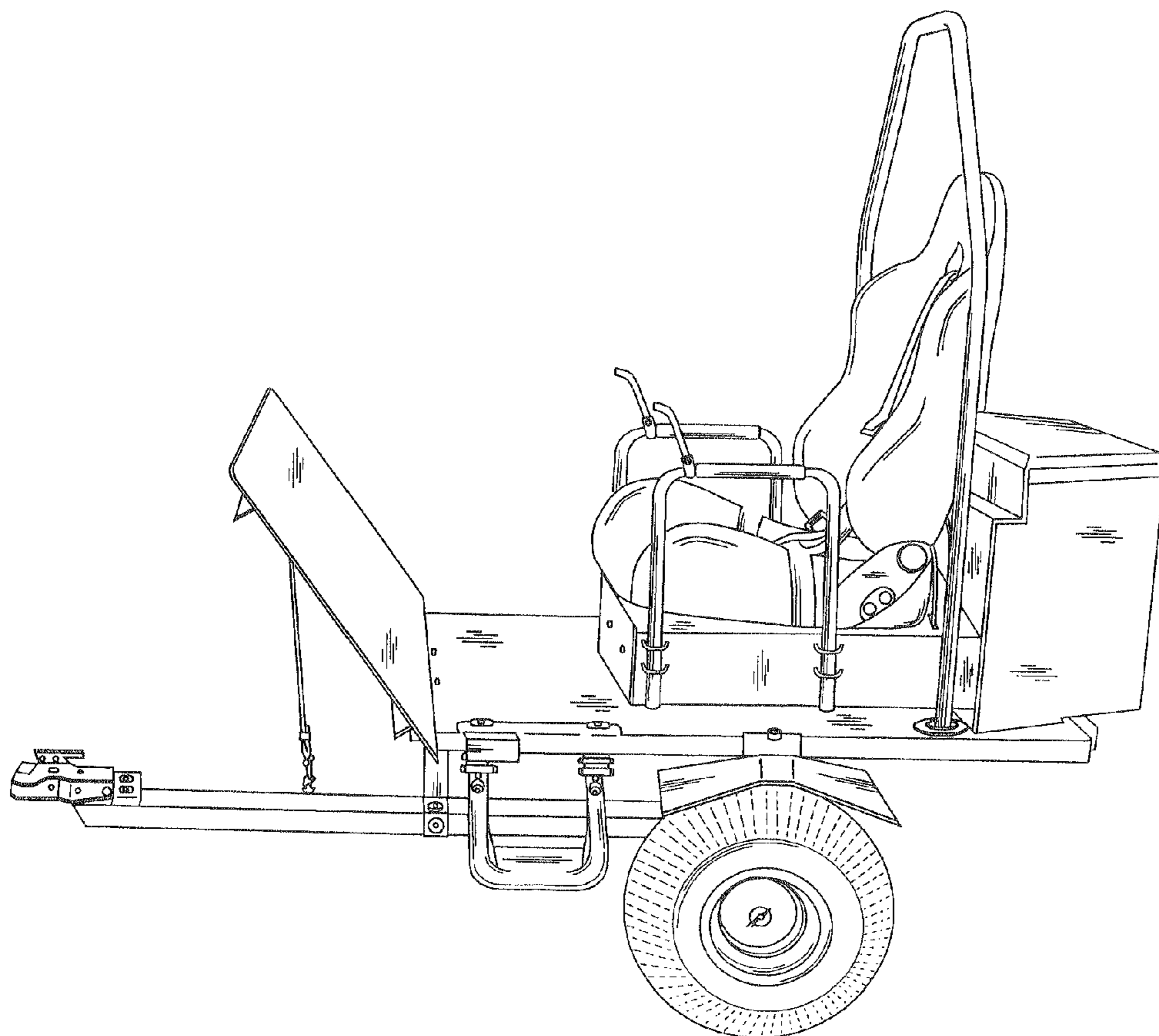


FIG. 1

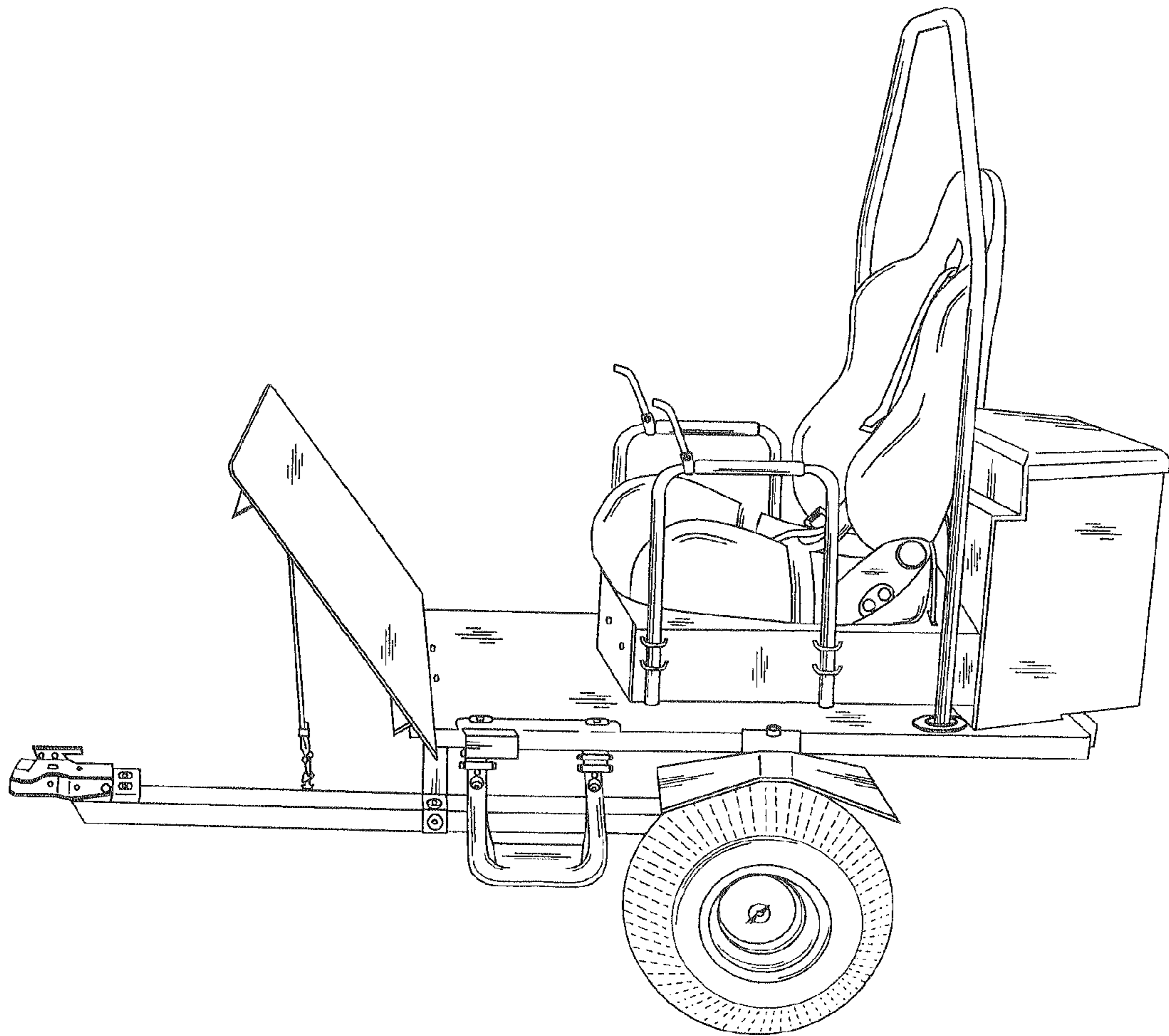


FIG. 2

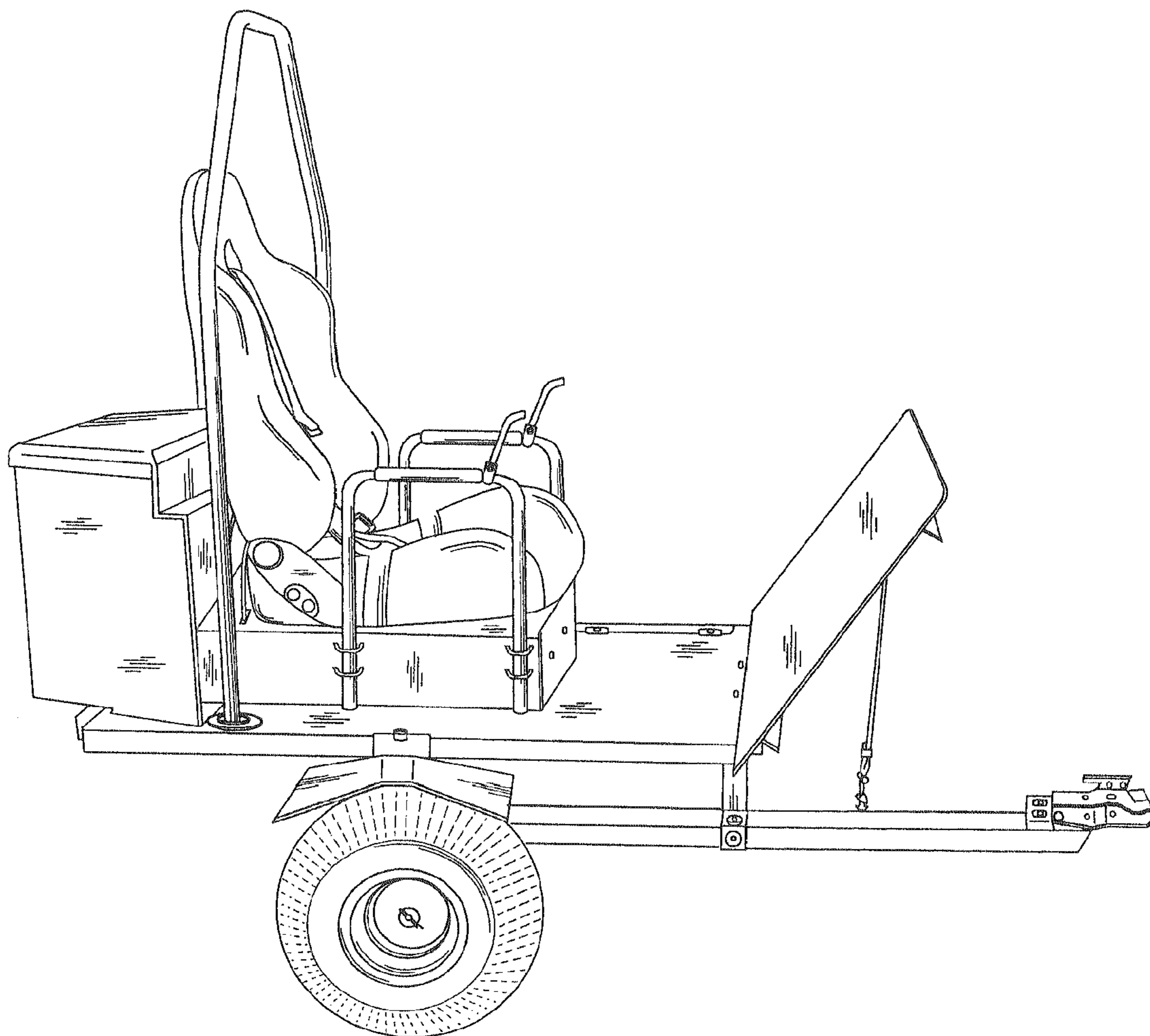


FIG. 3

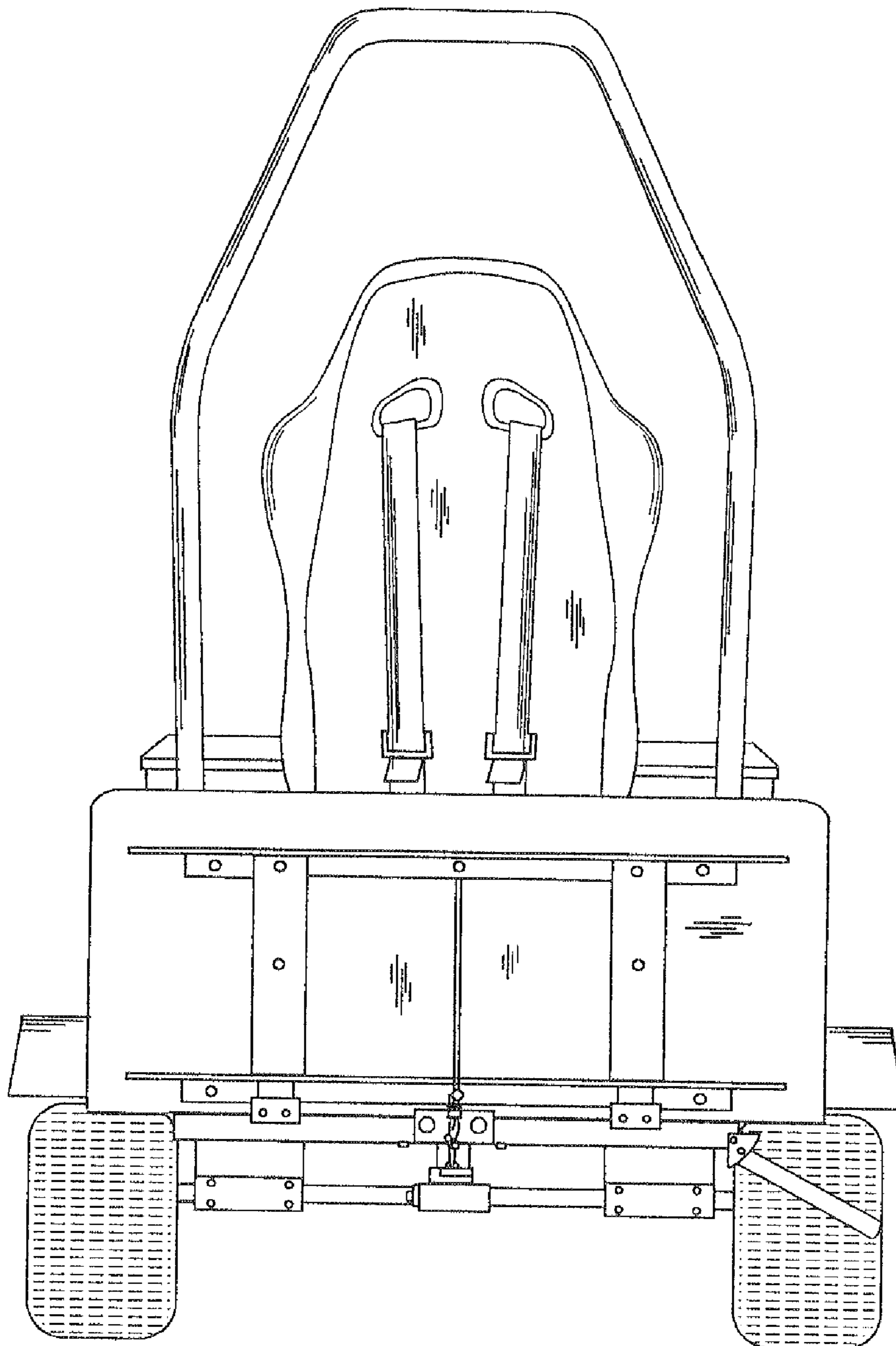


FIG. 4

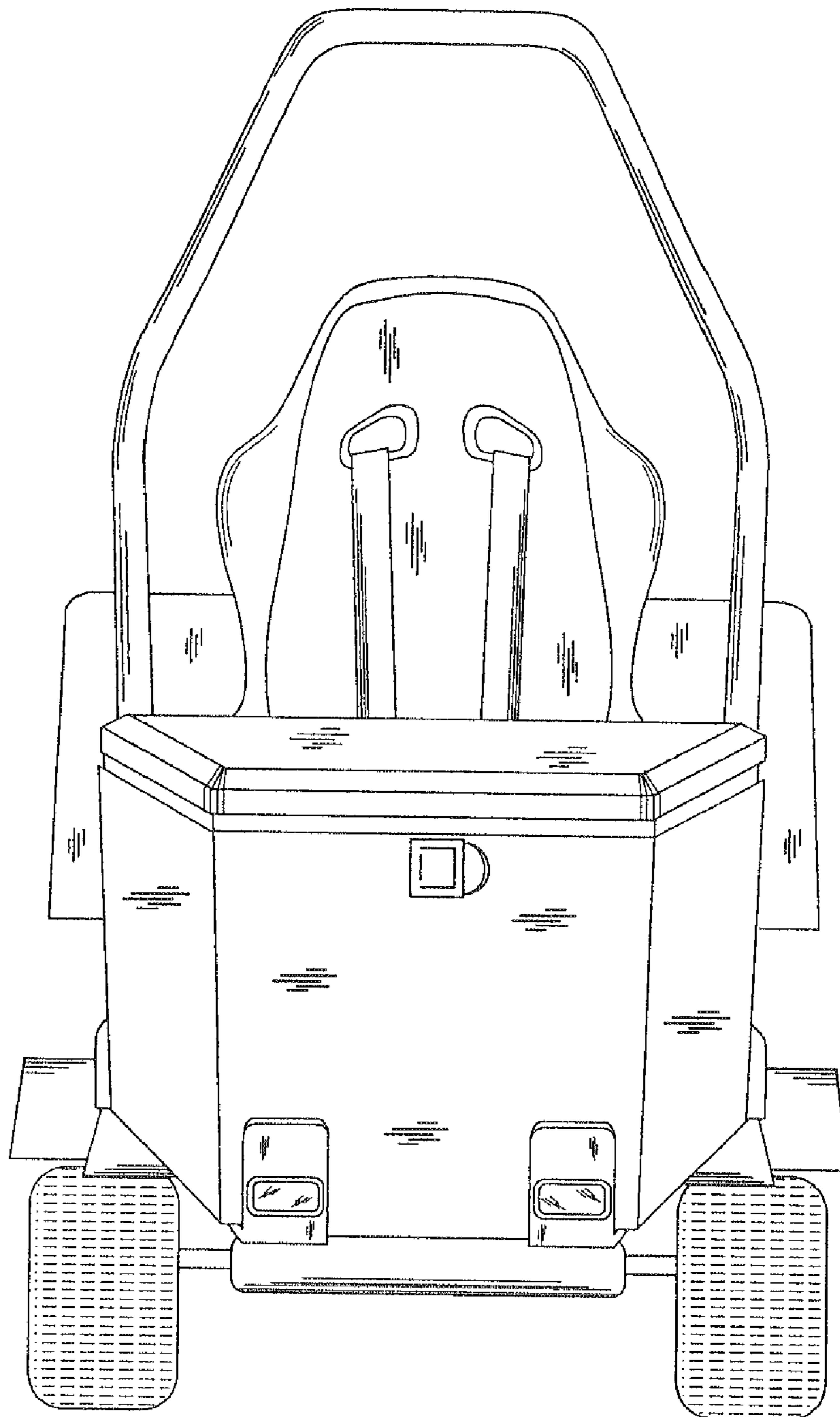


FIG. 5

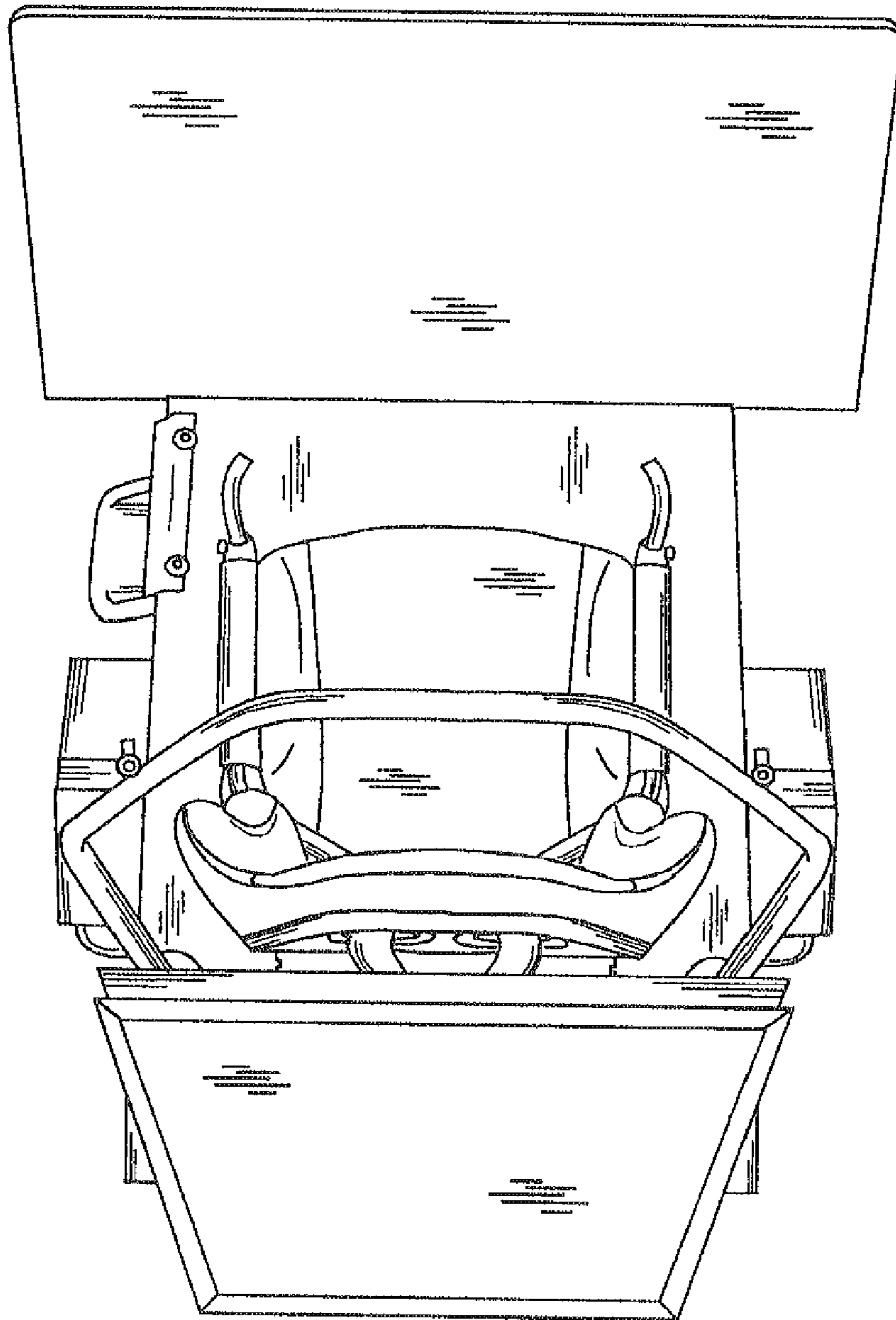


FIG. 6

