



US00D544402S

(12) **United States Design Patent**
Westman et al.

(10) **Patent No.:** **US D544,402 S**
(45) **Date of Patent:** **** Jun. 12, 2007**

(54) **MODULAR BODY FOR TERRAIN VEHICLE**

(75) Inventors: **Thomas Westman**, Själevad (SE); **Tore Gustafsson**, Bonässund (SE)

(73) Assignee: **Land Systems Hagglunds Aktiebolag**, Ornskoldsvik (SE)

(**) Term: **14 Years**

(21) Appl. No.: **29/227,030**

(22) Filed: **Apr. 6, 2005**

(30) **Foreign Application Priority Data**

Oct. 6, 2004 (SE) 04-0674

(51) **LOC (8) Cl.** **12-13**

(52) **U.S. Cl.** **D12/12**

(58) **Field of Classification Search** D12/12,
D12/156, 103, 1-3, 404, 405; D25/33, 1,
D25/22, 32, 56; D30/108, 119, 113, 114;
52/79.4; 296/24.164, 166, 99 R; 119/15,
119/17, 19; D6/108, 109, 114; 180/9.22
See application file for complete search history.

(56) **References Cited**

U.S. PATENT DOCUMENTS

D230,844 S * 3/1974 Sykes D12/405

D264,831 S * 6/1982 Dulisse D12/405
D273,001 S * 3/1984 Fink D12/404
D289,389 S * 4/1987 Picard D12/12
D351,823 S * 10/1994 Lewellen et al. D12/405
D366,645 S * 1/1996 Dirck D12/405
D465,435 S * 11/2002 Legueu D12/12
D474,715 S * 5/2003 Young et al. D12/1
D478,840 S * 8/2003 Gregory et al. D12/1
D527,684 S * 9/2006 Eckstedt D12/12
D527,690 S * 9/2006 LeBlanc et al. D12/12

* cited by examiner

Primary Examiner—Louis S. Zarfes

Assistant Examiner—Anna Dworzecka

(74) *Attorney, Agent, or Firm*—Young & Thompson

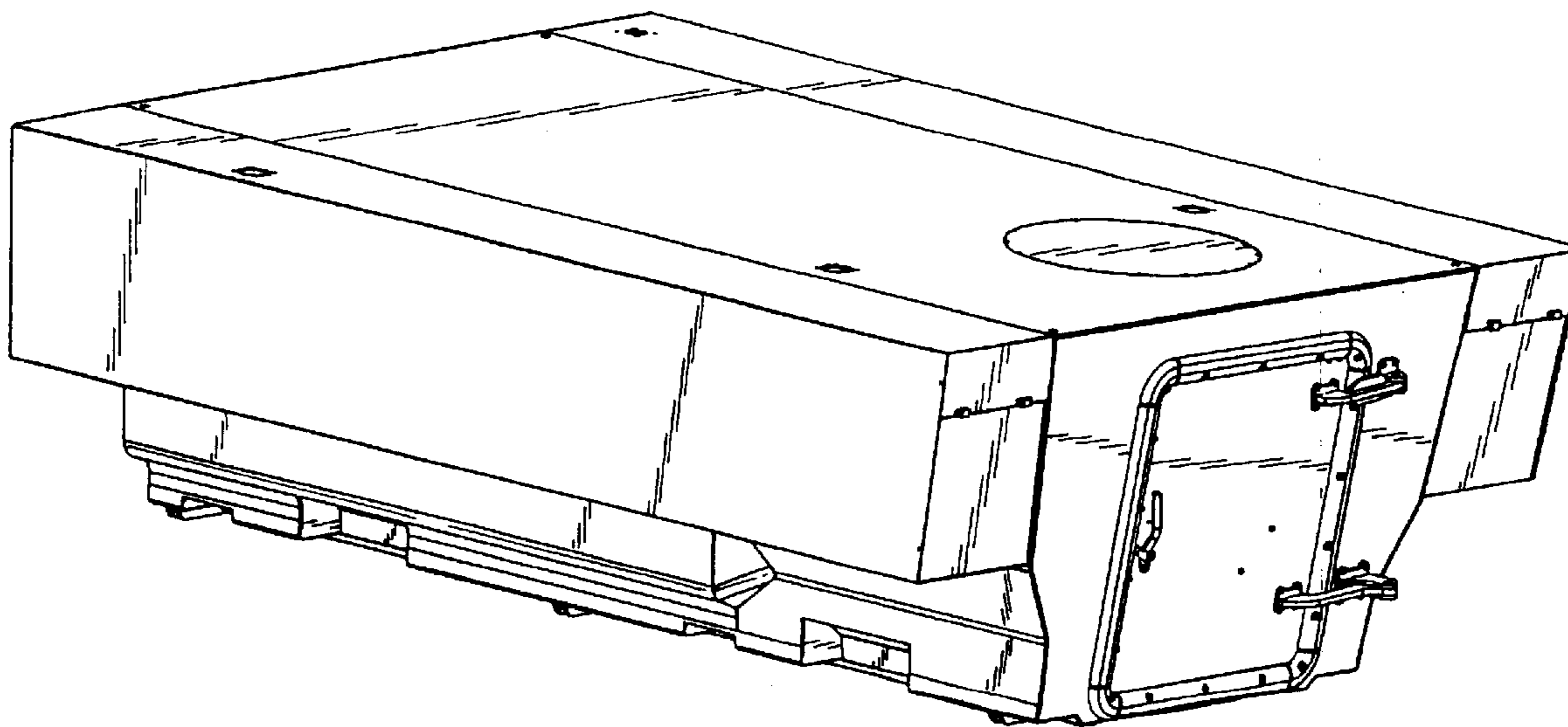
(57) **CLAIM**

The ornamental design for a modular body for terrain vehicle, as shown.

DESCRIPTION

FIG. 1 is a left side and top perspective view of a modular body for terrain vehicle according to our new design;
FIG. 2 is a front view thereof;
FIG. 3 is a rear view thereof; and,
FIG. 4 is a bottom and right side perspective view thereof.

1 Claim, 3 Drawing Sheets



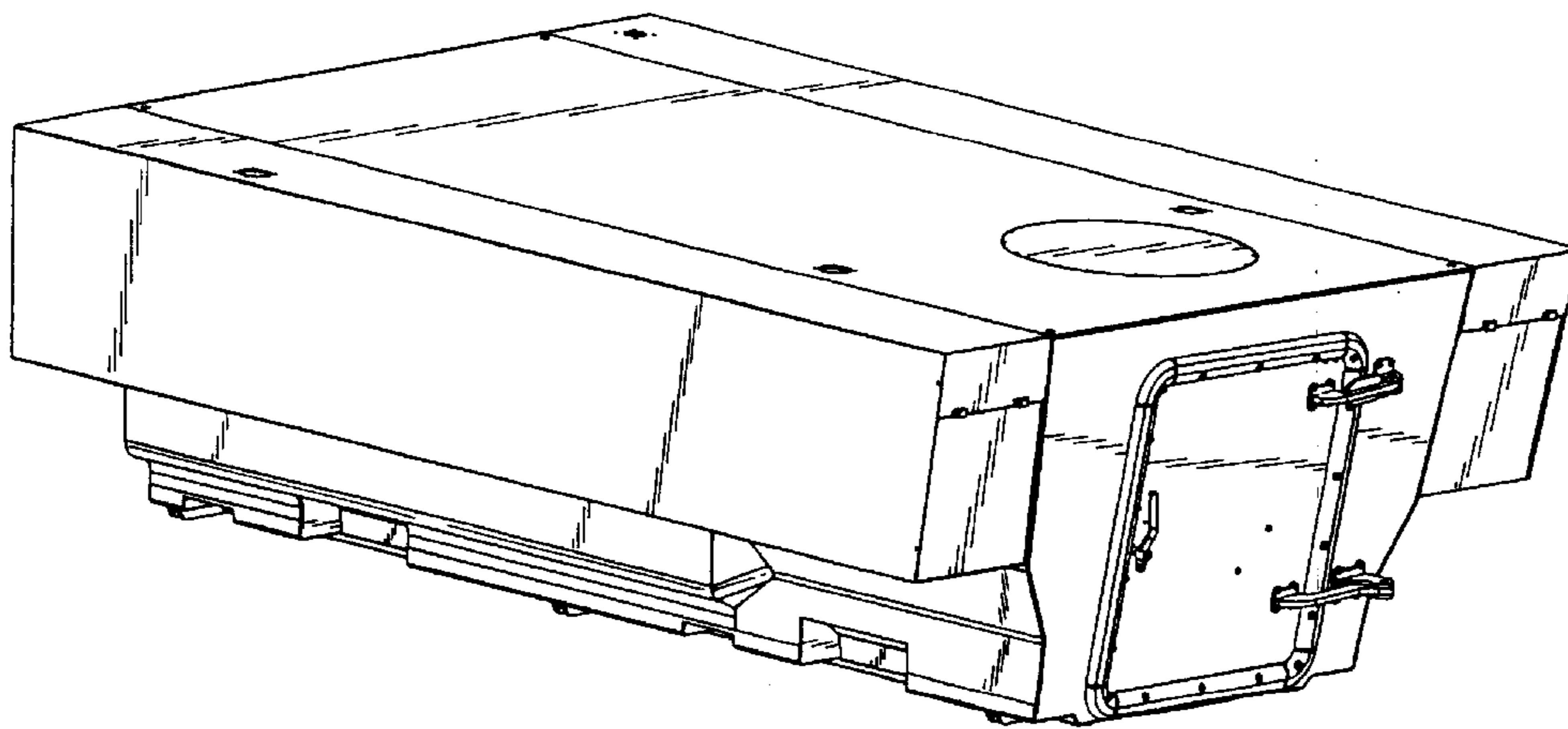


FIG. 1

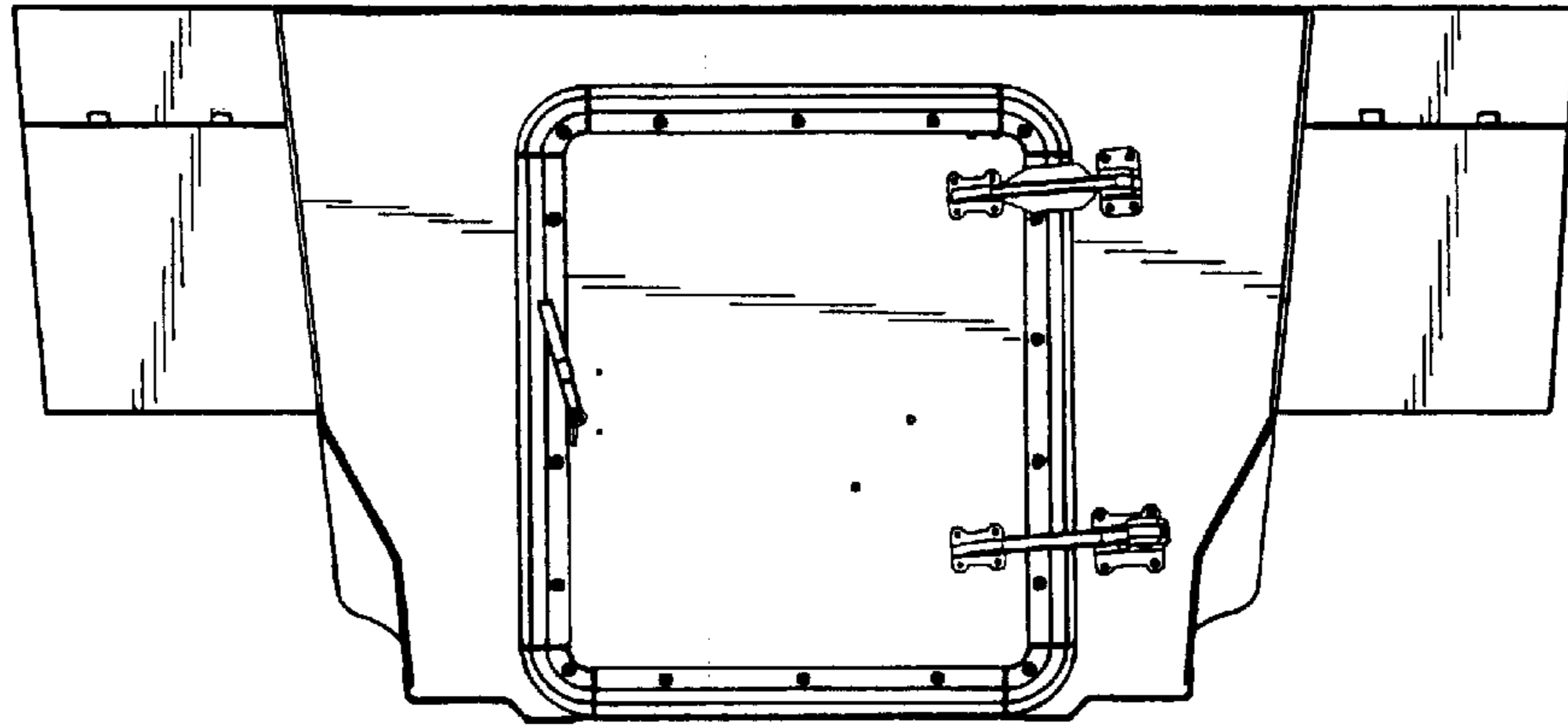


FIG. 2

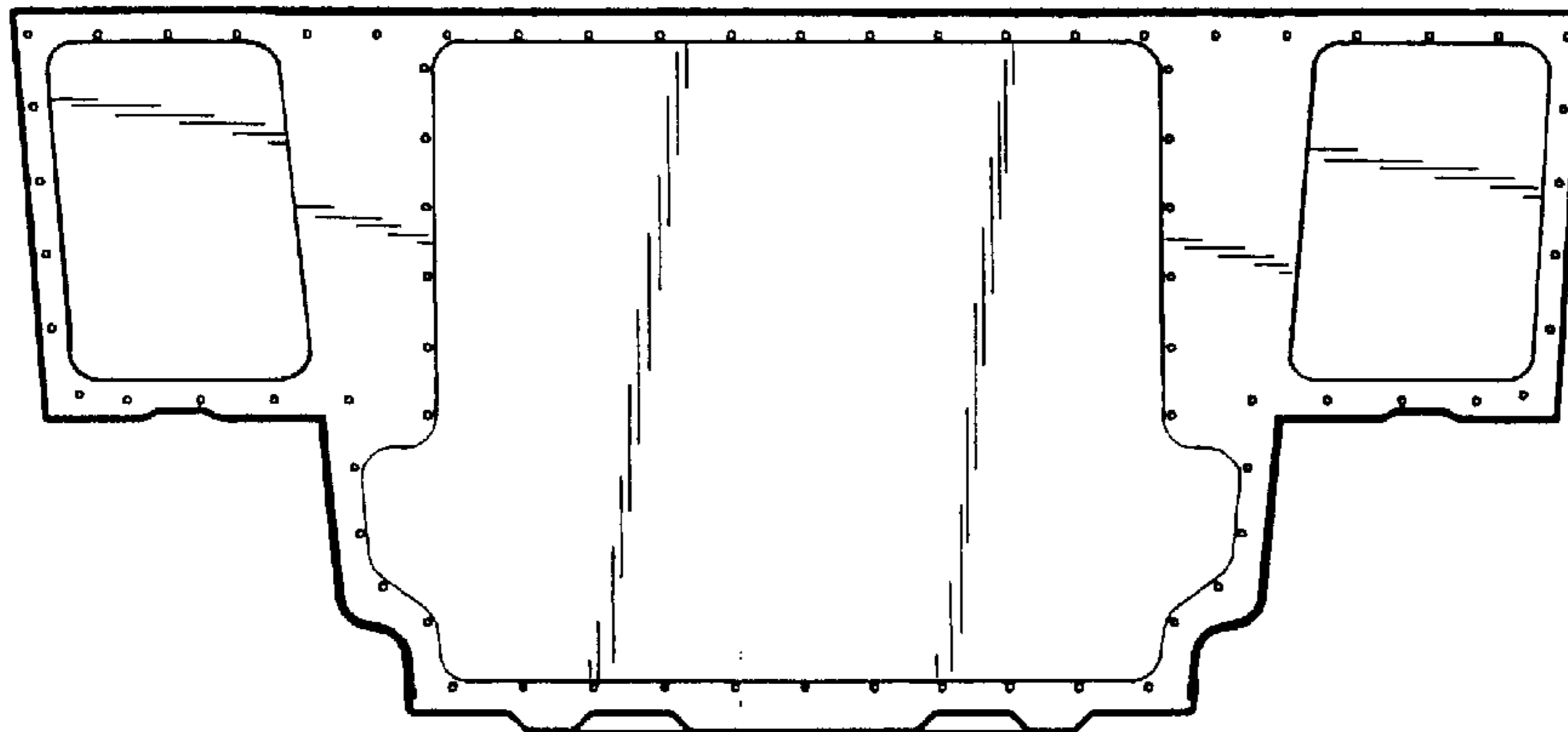


FIG. 3

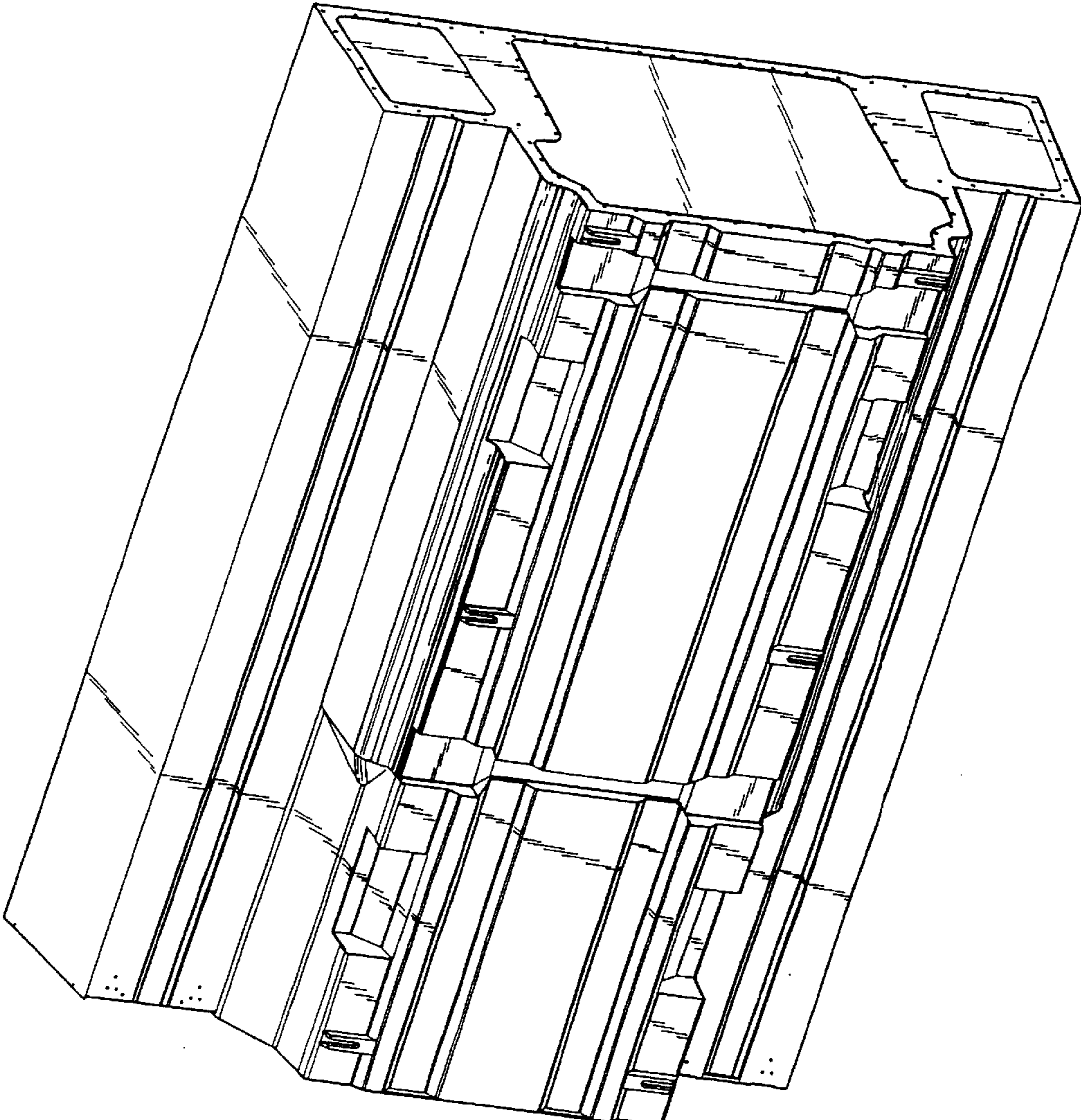


FIG. 4