

US00D544400S

(12) **United States Design Patent**
Yoshiguchi

(10) **Patent No.:** **US D544,400 S**

(45) **Date of Patent:** **** Jun. 12, 2007**

(54) **BUCKLE**

(75) Inventor: **Manabu Yoshiguchi**, Kamakura (JP)

(73) Assignee: **NIFCO Inc.**, Yokohama-shi, Kanagawa (JP)

(**) Term: **14 Years**

(21) Appl. No.: **29/255,019**

(22) Filed: **Mar. 3, 2006**

Related U.S. Application Data

(63) Continuation-in-part of application No. 29/222,723, filed on Feb. 4, 2005, now Pat. No. Des. 519,056.

(30) **Foreign Application Priority Data**

Aug. 6, 2004 (JP) 2004-023735

(51) **LOC (8) Cl.** **02-07**

(52) **U.S. Cl.** **D11/200**

(58) **Field of Classification Search** D11/200,
D11/201, 208-210, 212-218, 220, 230-234,
D11/236-237, 86-87, 94; 63/15.2, 15; 24/307,
24/625, 616, 200, 196, 637, 171, 169, 112,
24/614, 615

See application file for complete search history.

(56) **References Cited**

U.S. PATENT DOCUMENTS

D134,936 S * 2/1943 Huff D11/214

D249,878 S * 10/1978 Sokoloski D11/86
D410,411 S * 6/1999 Fildan D11/210
D476,263 S * 6/2003 Walters D11/200
D519,056 S * 4/2006 Yoshiguchi D11/200

* cited by examiner

Primary Examiner—Ralf Seifert

(74) *Attorney, Agent, or Firm*—Manabu Kanesaka

(57) **CLAIM**

The ornamental design for a buckle, as shown and described.

DESCRIPTION

FIG. 1 is a front view of a buckle showing my new design;

FIG. 2 is a rear view thereof;

FIG. 3 is a plan view thereof;

FIG. 4 is a bottom view thereof;

FIG. 5 is a right view thereof, a left side view being symmetrical to the right side view;

FIG. 6 is a sectional view thereof taken along line 6-6 in FIG. 3;

FIG. 7 is another sectional view thereof taken along line 7-7 in FIG. 3; and,

FIG. 8 is a reference drawing thereof.

1 Claim, 2 Drawing Sheets

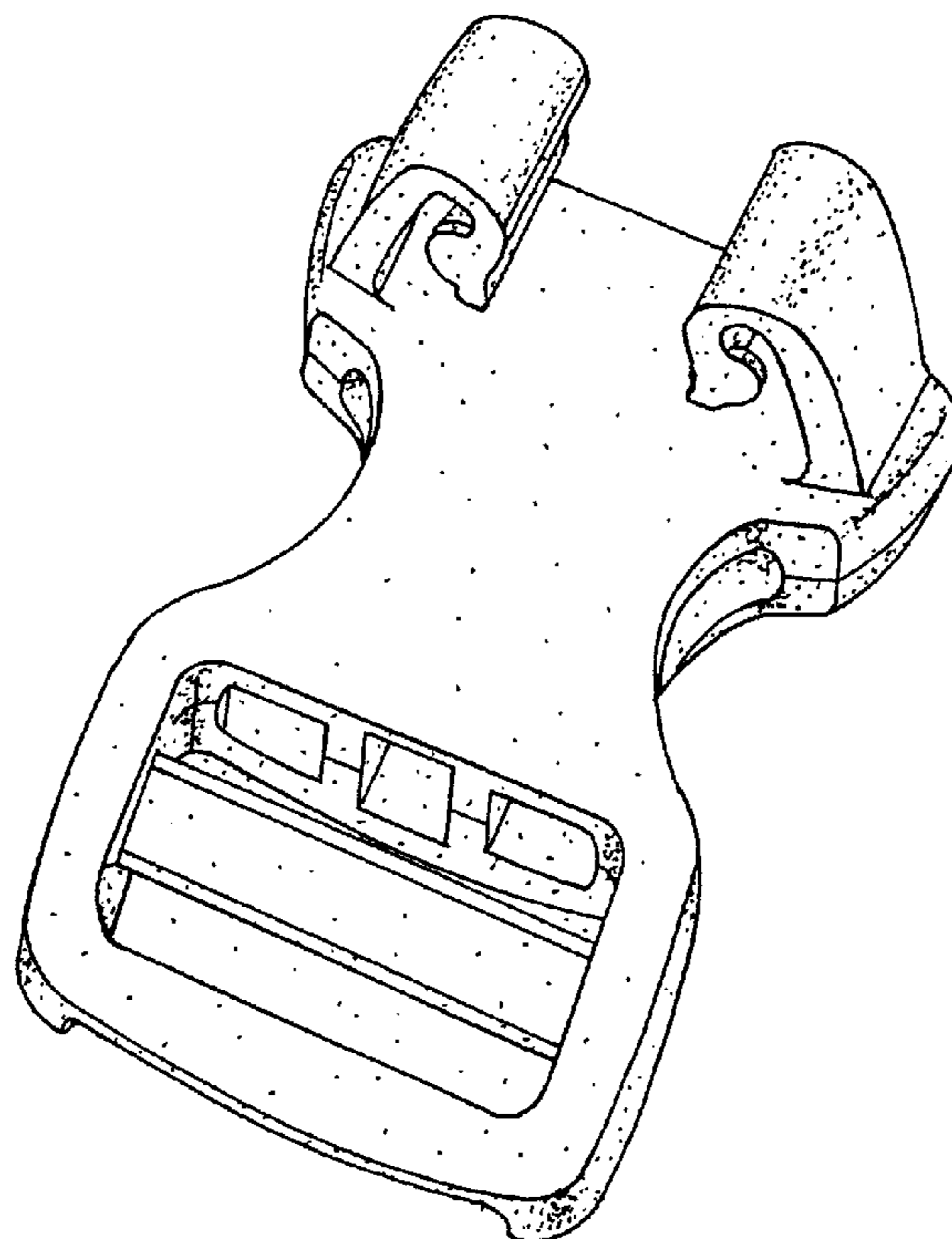


FIG. 1

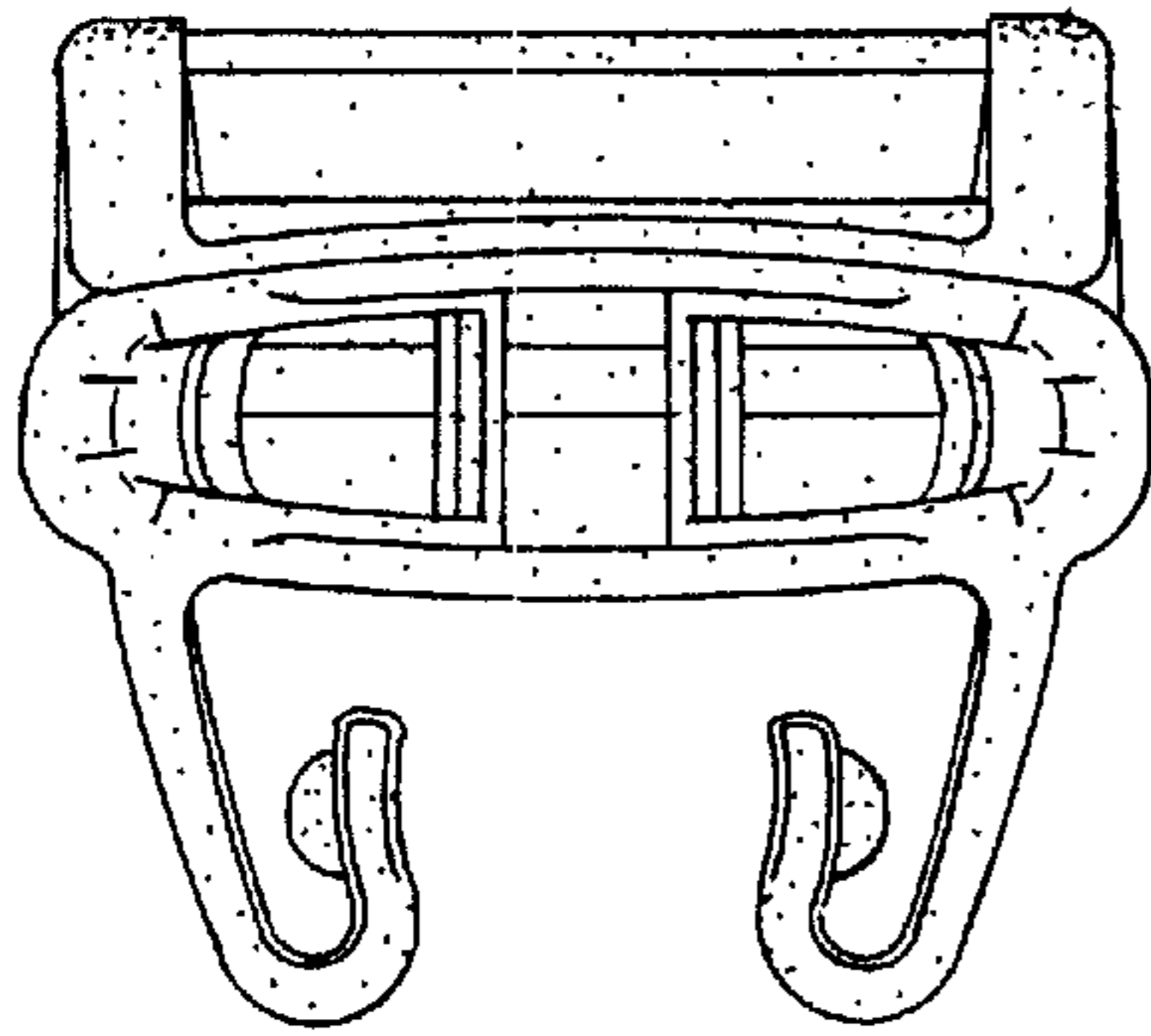


FIG. 2

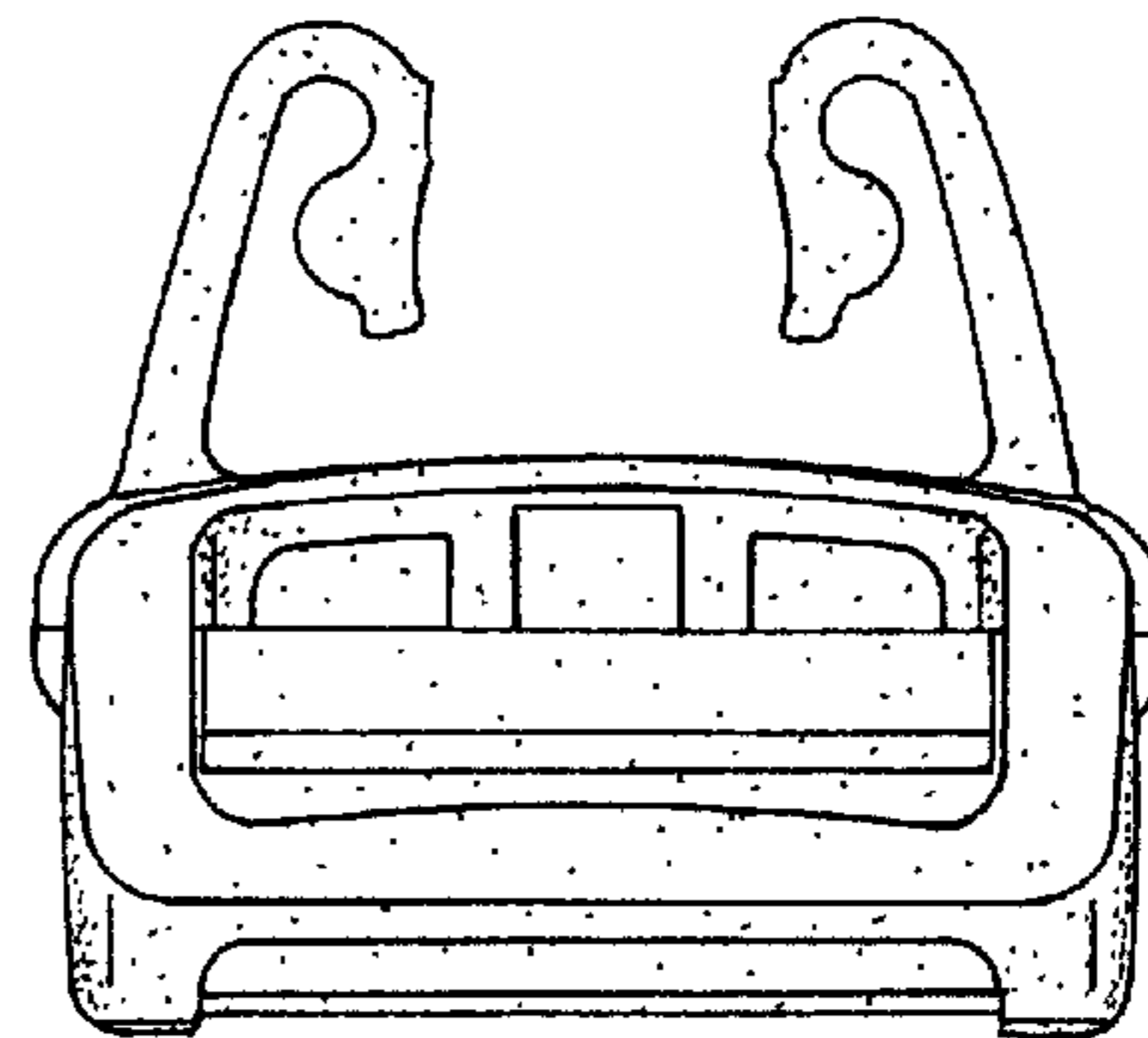


FIG. 3

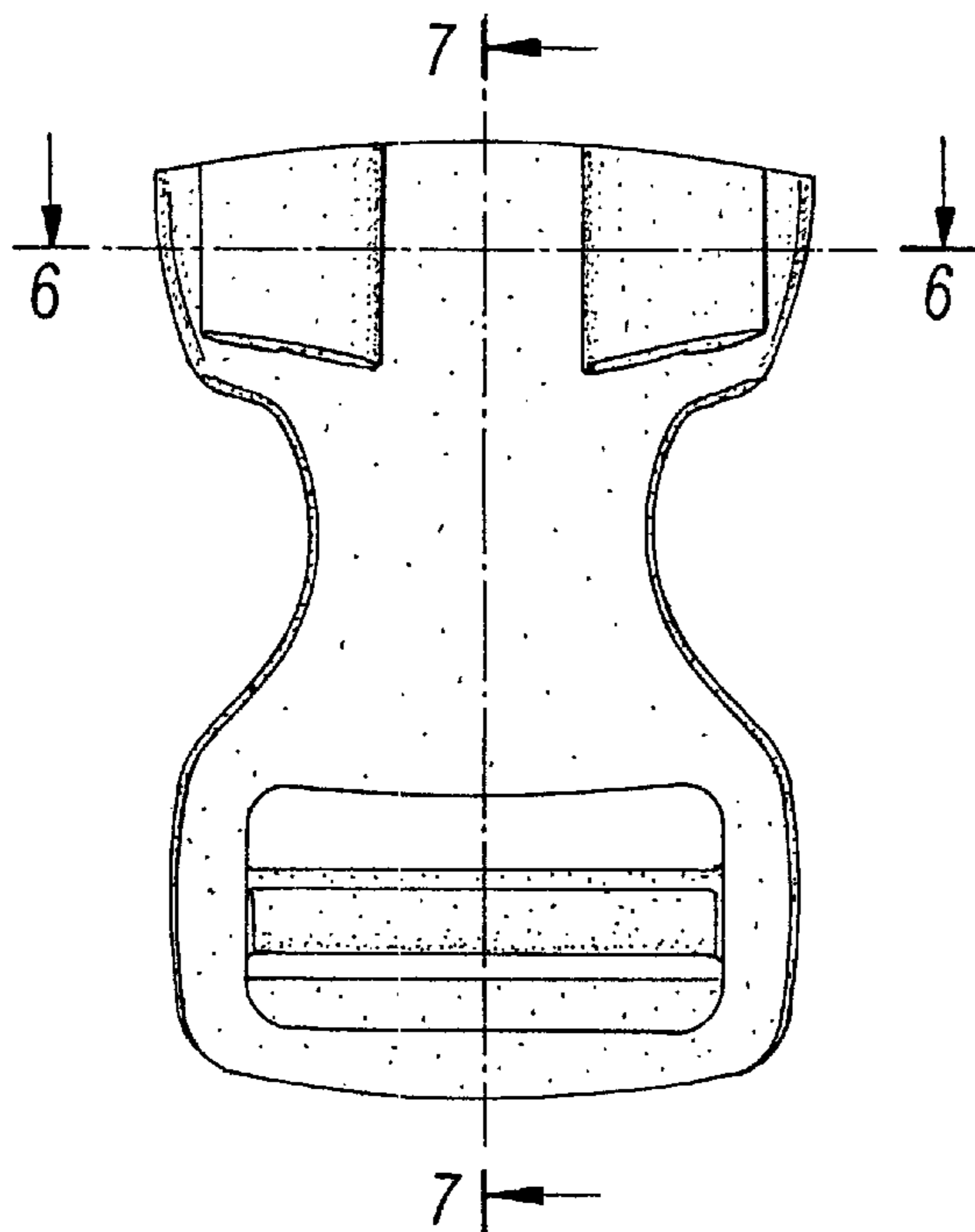


FIG. 4

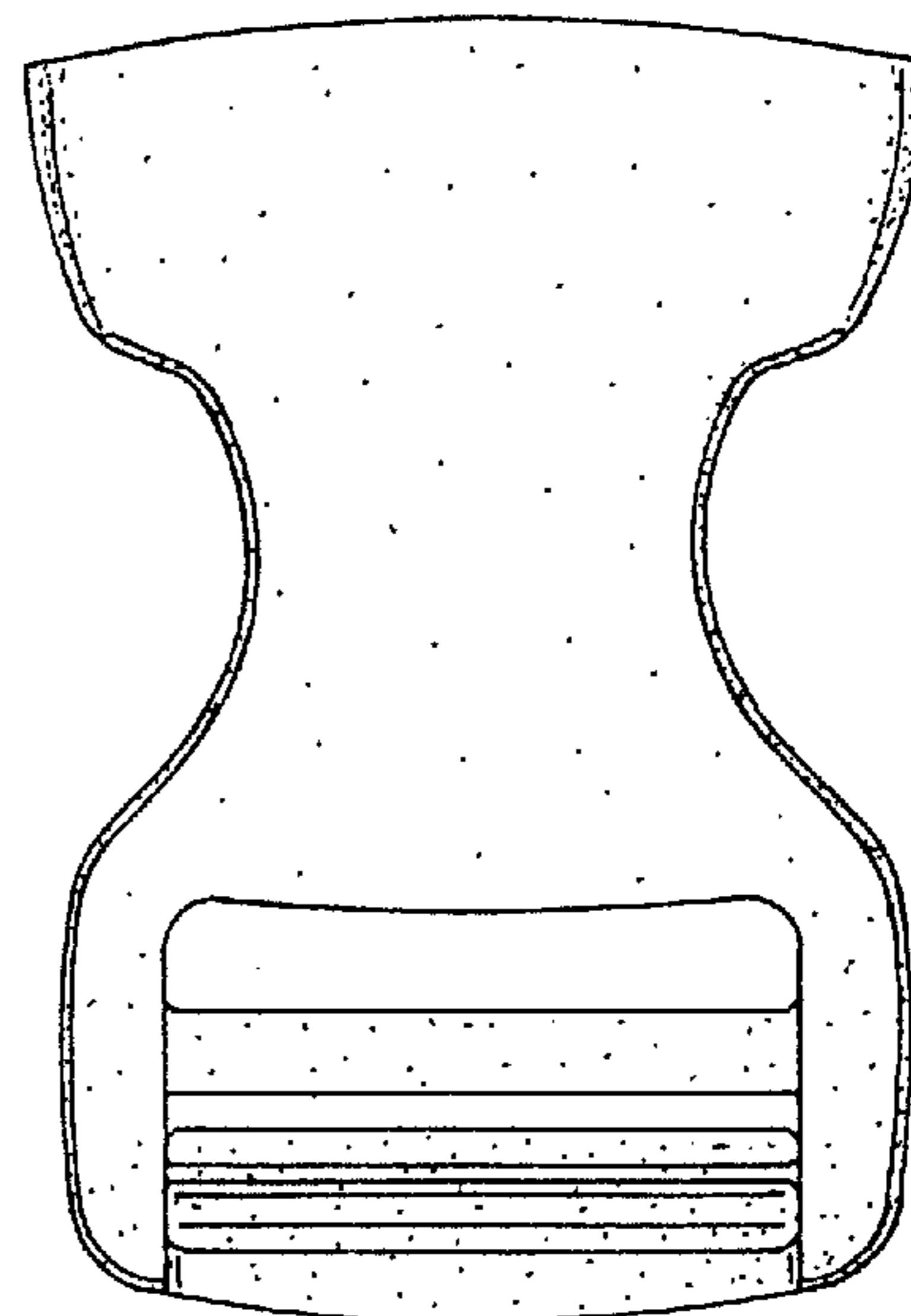


FIG. 5

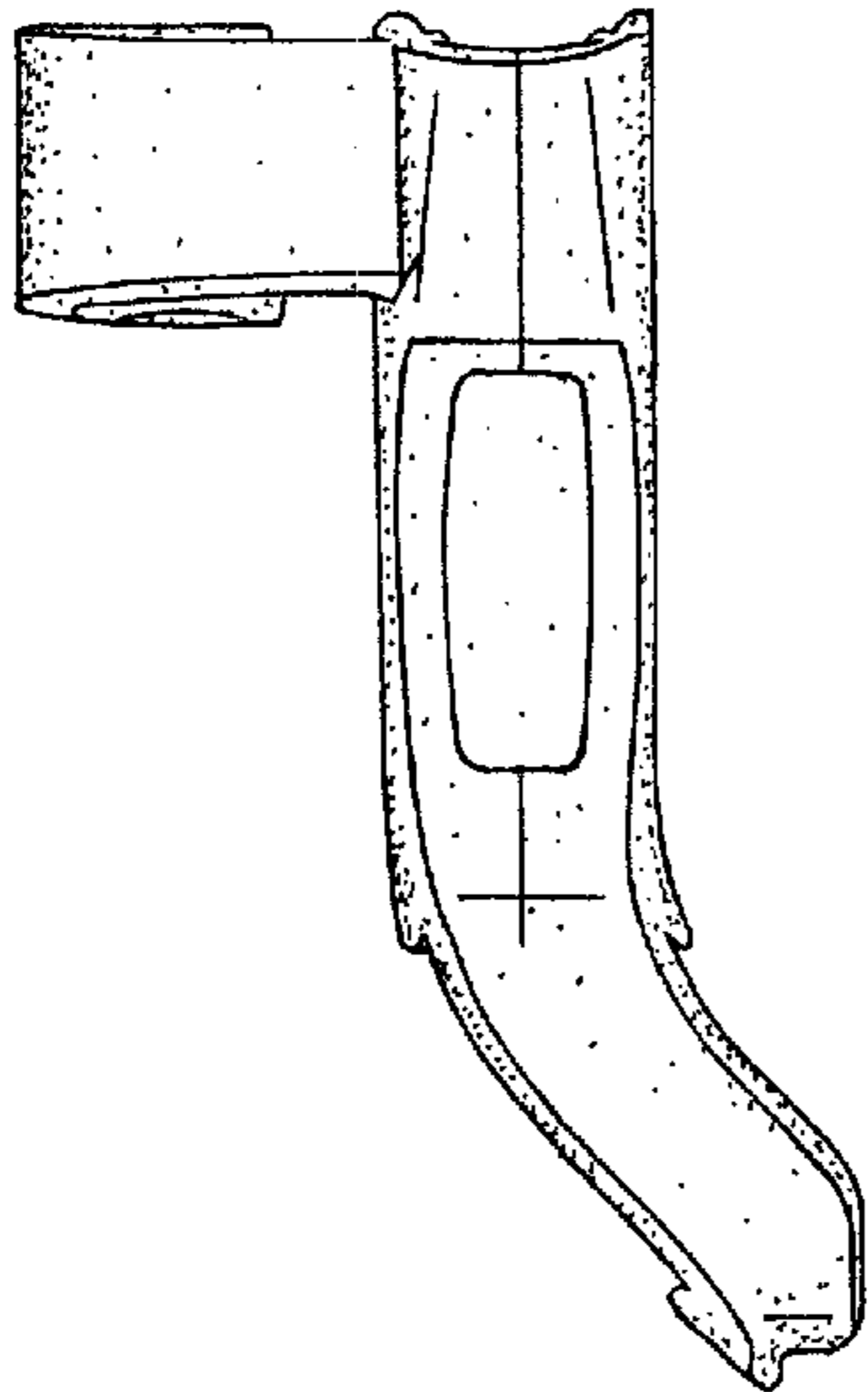


FIG. 6

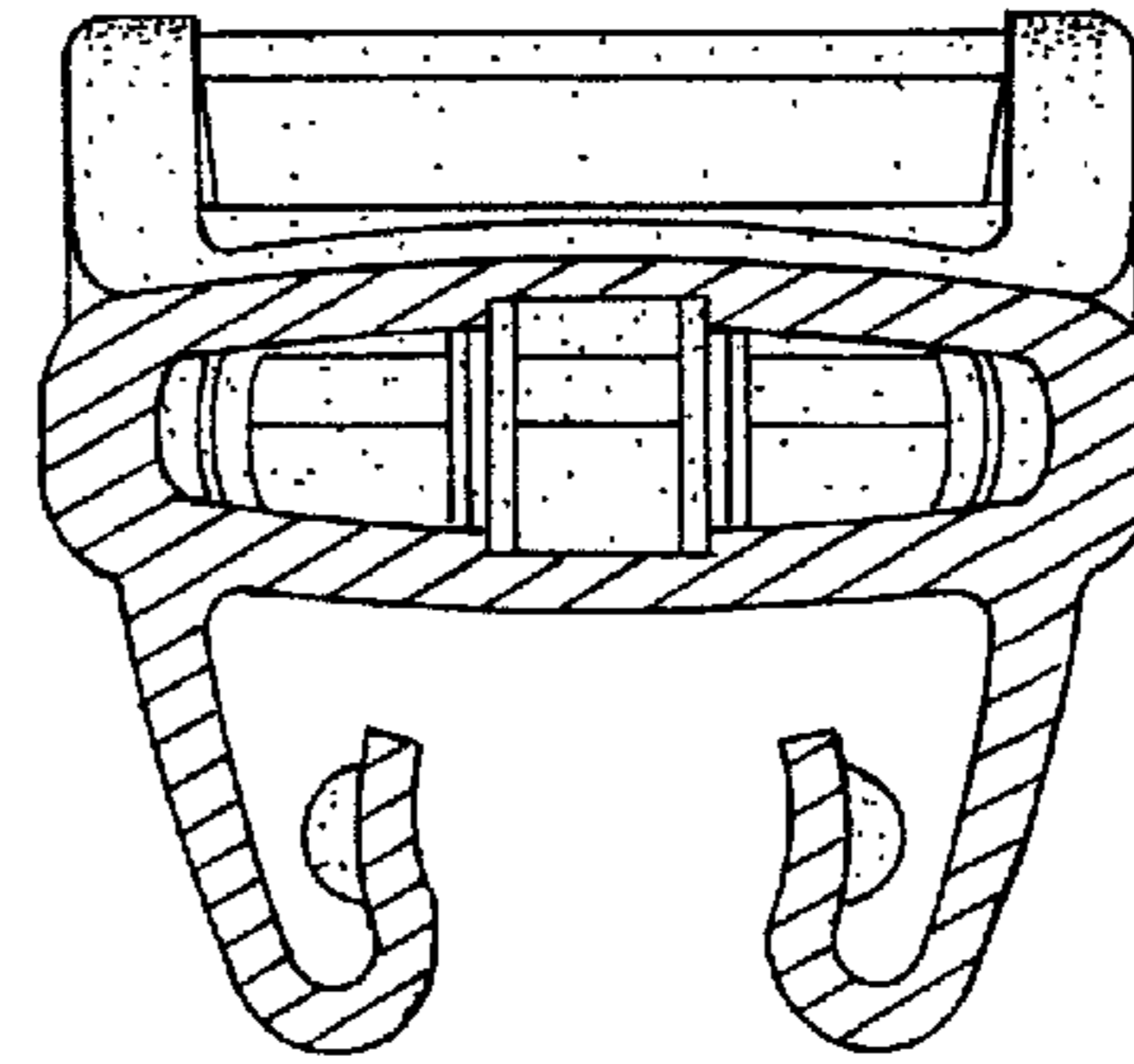


FIG. 7

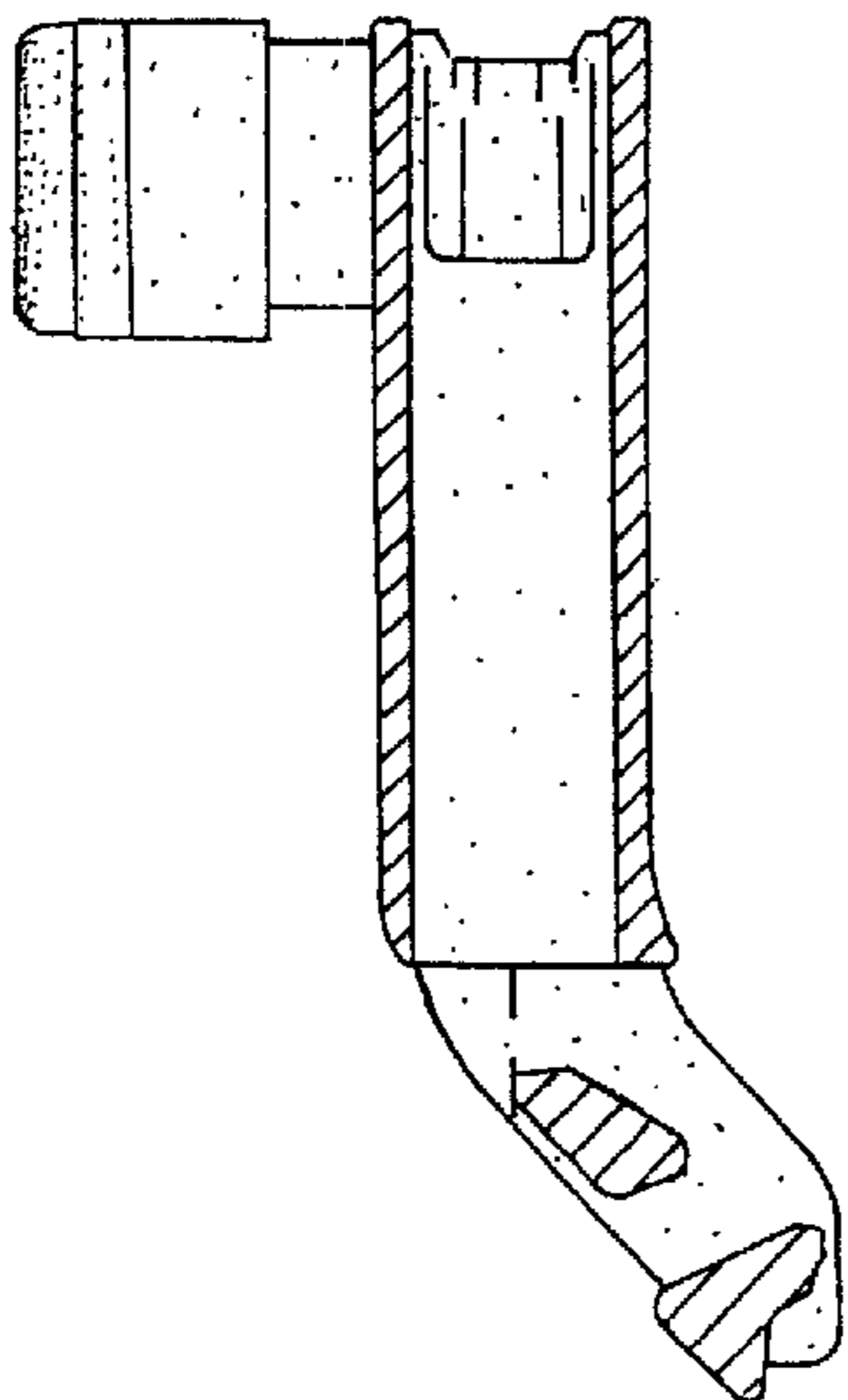


FIG. 8

