

US00D544395S

(12) **United States Design Patent**
Olsen

(10) **Patent No.:** **US D544,395 S**

(45) **Date of Patent:** **** Jun. 12, 2007**

(54) **JEWELRY SETTING**

(75) Inventor: **Mark L. Olsen**, Burnsville, MN (US)

(73) Assignee: **Shane Co.**, Englewood, CO (US)

(**) Term: **14 Years**

(21) Appl. No.: **29/258,231**

(22) Filed: **Apr. 17, 2006**

(51) **LOC (8) Cl.** **11-01**

(52) **U.S. Cl.** **D11/91**

(58) **Field of Classification Search** D11/91,
D11/1, 2, 6-12, 16, 26-28, 35, 79, 89, 90,
D11/92, 93; 63/23, 28, 1, 26, 15, 13, 20
See application file for complete search history.

(56) **References Cited**

U.S. PATENT DOCUMENTS

D30,647 S *	5/1899	Pfeil	D11/26
D129,777 S *	9/1941	Jordan	D11/35
D197,796 S *	3/1964	Nolan	D11/28
D197,800 S *	3/1964	Nolan	D11/26
D254,537 S *	3/1980	Abelson	D11/27
D375,467 S *	11/1996	Thylmann et al.	D11/93
D437,248 S *	2/2001	Cabarbaye	D11/26
D437,249 S *	2/2001	Cabarbaye	D11/26
6,820,442 B2 *	11/2004	Kimura	63/15
D514,011 S *	1/2006	Aghjayan et al.	D11/35
D519,874 S *	5/2006	Allin	D11/35
2002/0170314 A1 *	11/2002	Konieczny	63/15
2003/0154740 A1 *	8/2003	Arnell	63/26

* cited by examiner

Primary Examiner—Louis Zarfaz

Assistant Examiner—David Muller

(74) *Attorney, Agent, or Firm*—Marsh Fischmann & Breyfogle LLP

(57) **CLAIM**

The ornamental design for a jewelry setting, as shown and described.

DESCRIPTION

FIG. 1 is a perspective view of a jewelry setting in which gemstones shown in broken lines are set therein;

FIG. 2 is a perspective view of the jewelry setting;

FIG. 3 is a front view of the jewelry setting;

FIG. 4 is a back view of the jewelry setting;

FIG. 5 is a right side view of the jewelry setting;

FIG. 6 is a left side view of the jewelry setting;

FIG. 7 is a top view of the jewelry setting;

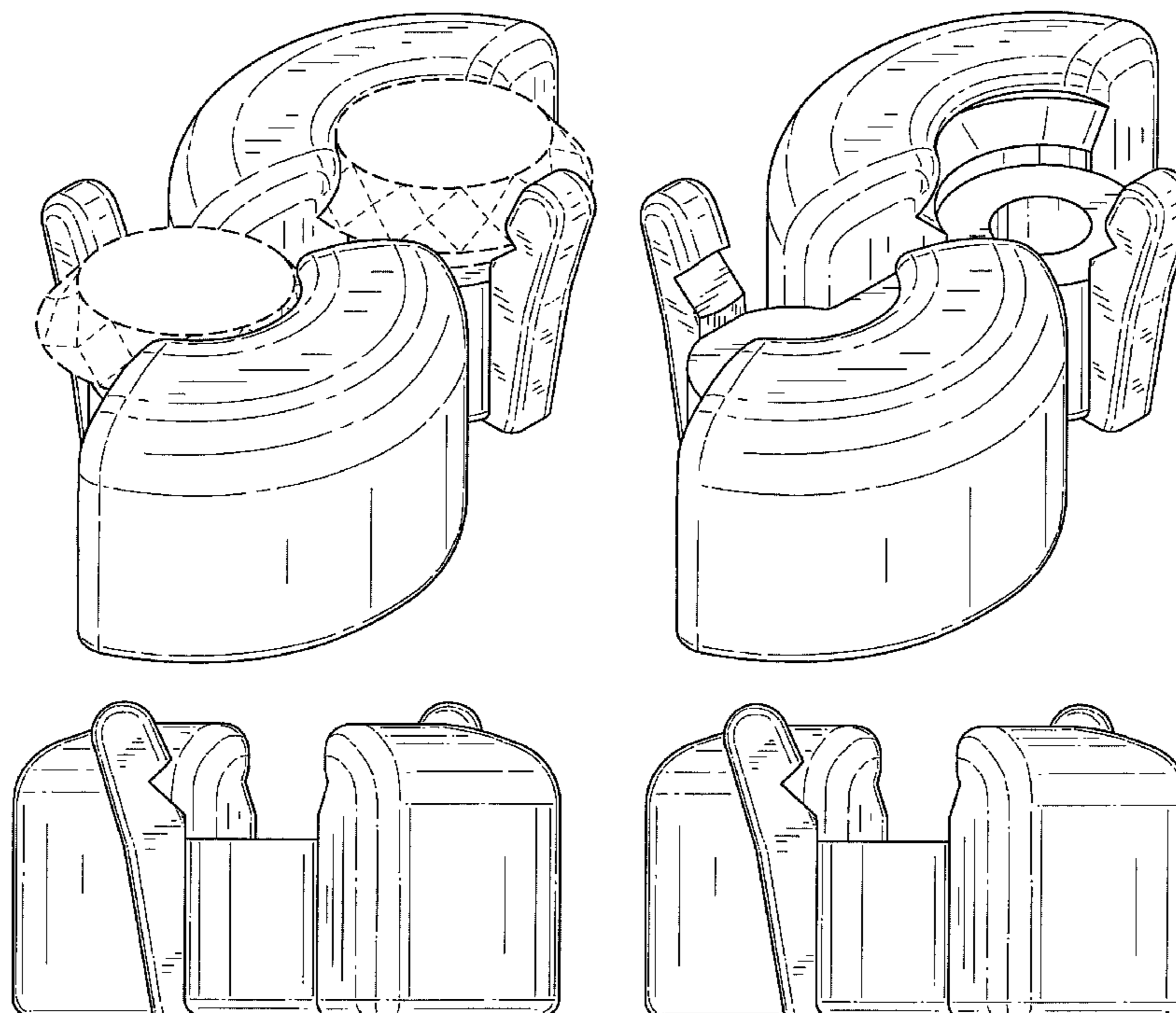
FIG. 8 is a bottom view of the jewelry setting;

FIG. 9 is a top view of the jewelry setting shown in use as part of a pendant shown in broken lines having additional settings also shown in broken lines; and,

FIG. 10 is a perspective view of the jewelry setting shown in use as part of a ring shown in broken lines having additional settings also shown in broken lines.

In the figures, the features shown in broken lines do not form any part of the claimed design.

1 Claim, 8 Drawing Sheets



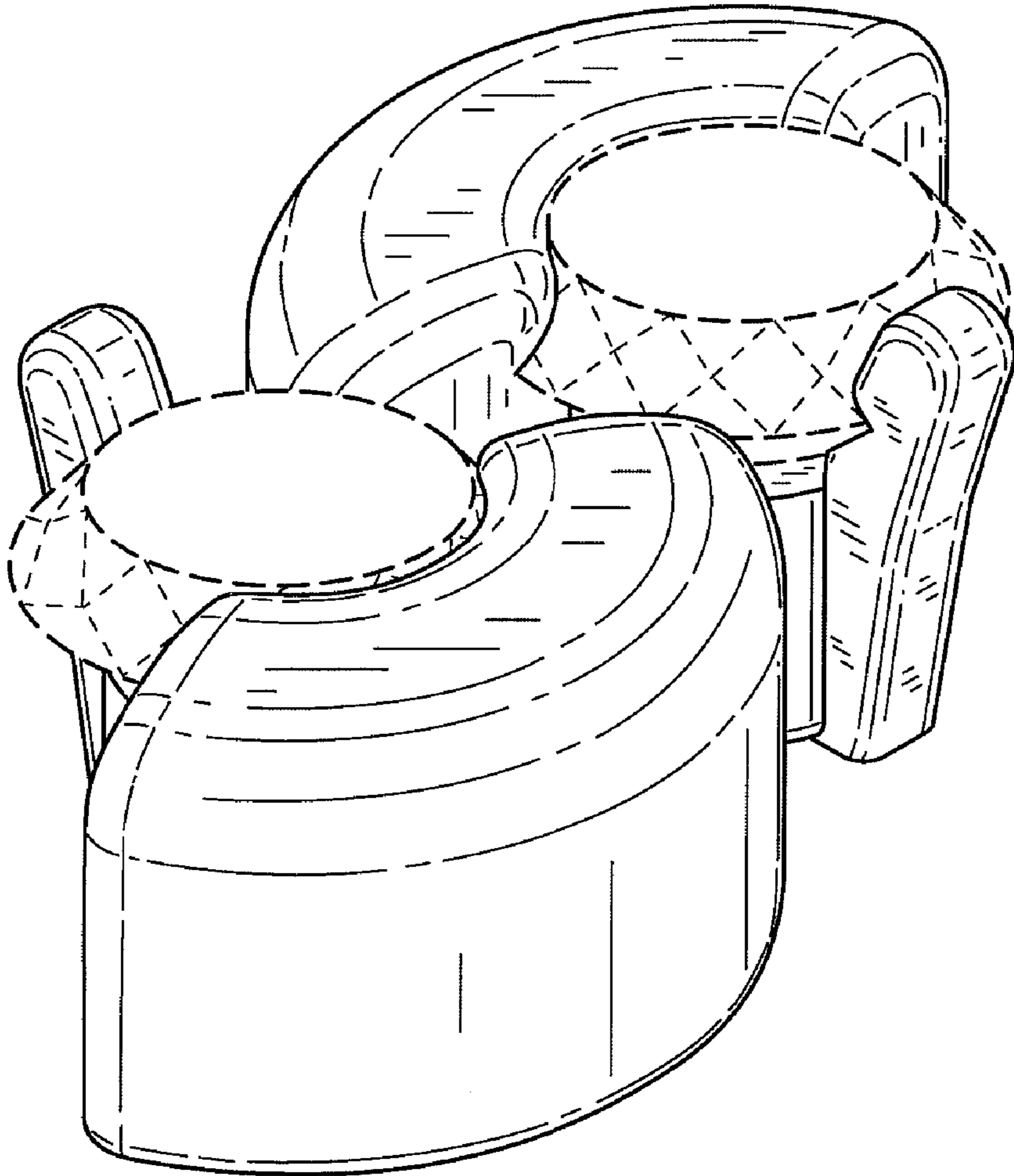


FIG.1

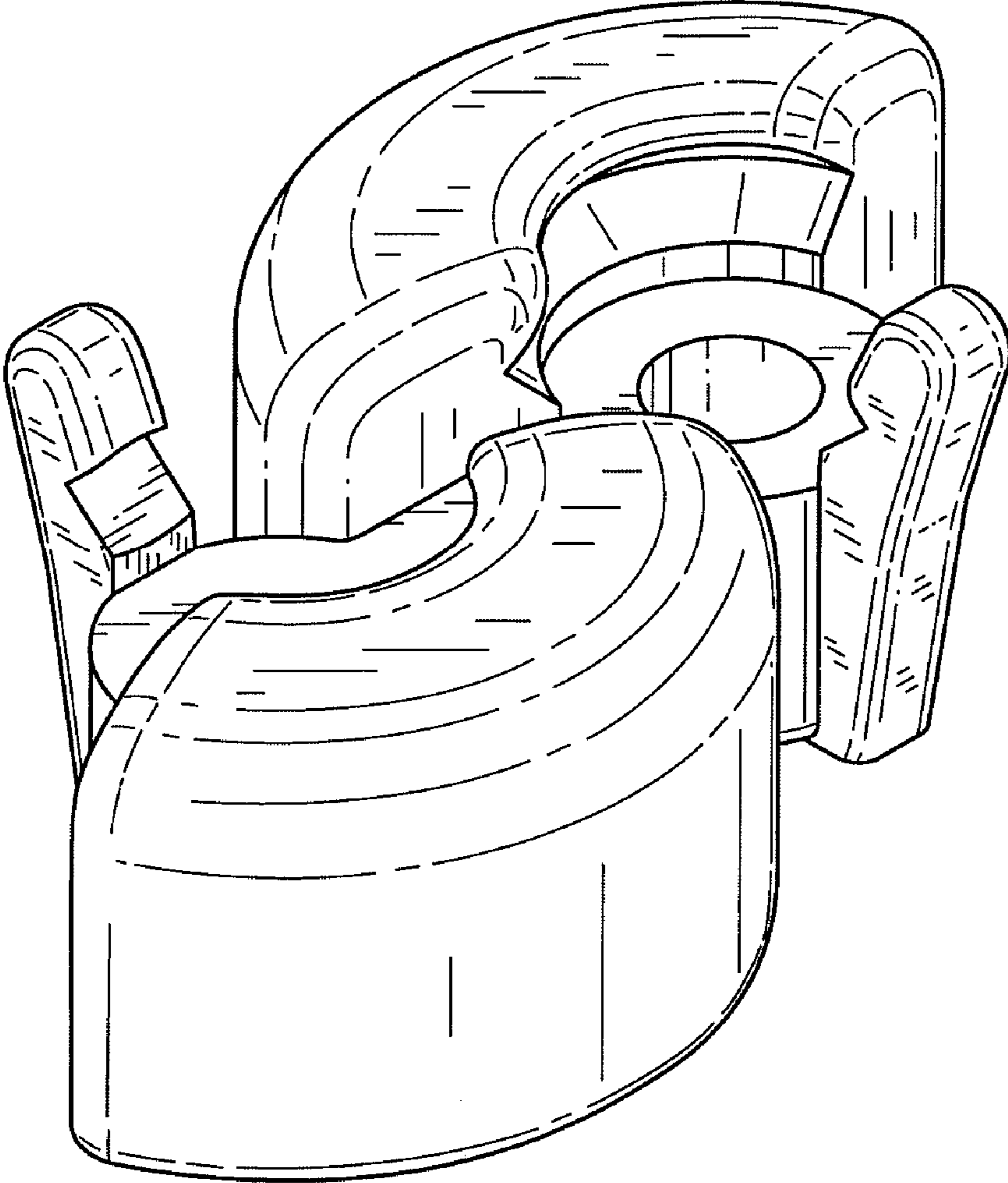


FIG.2

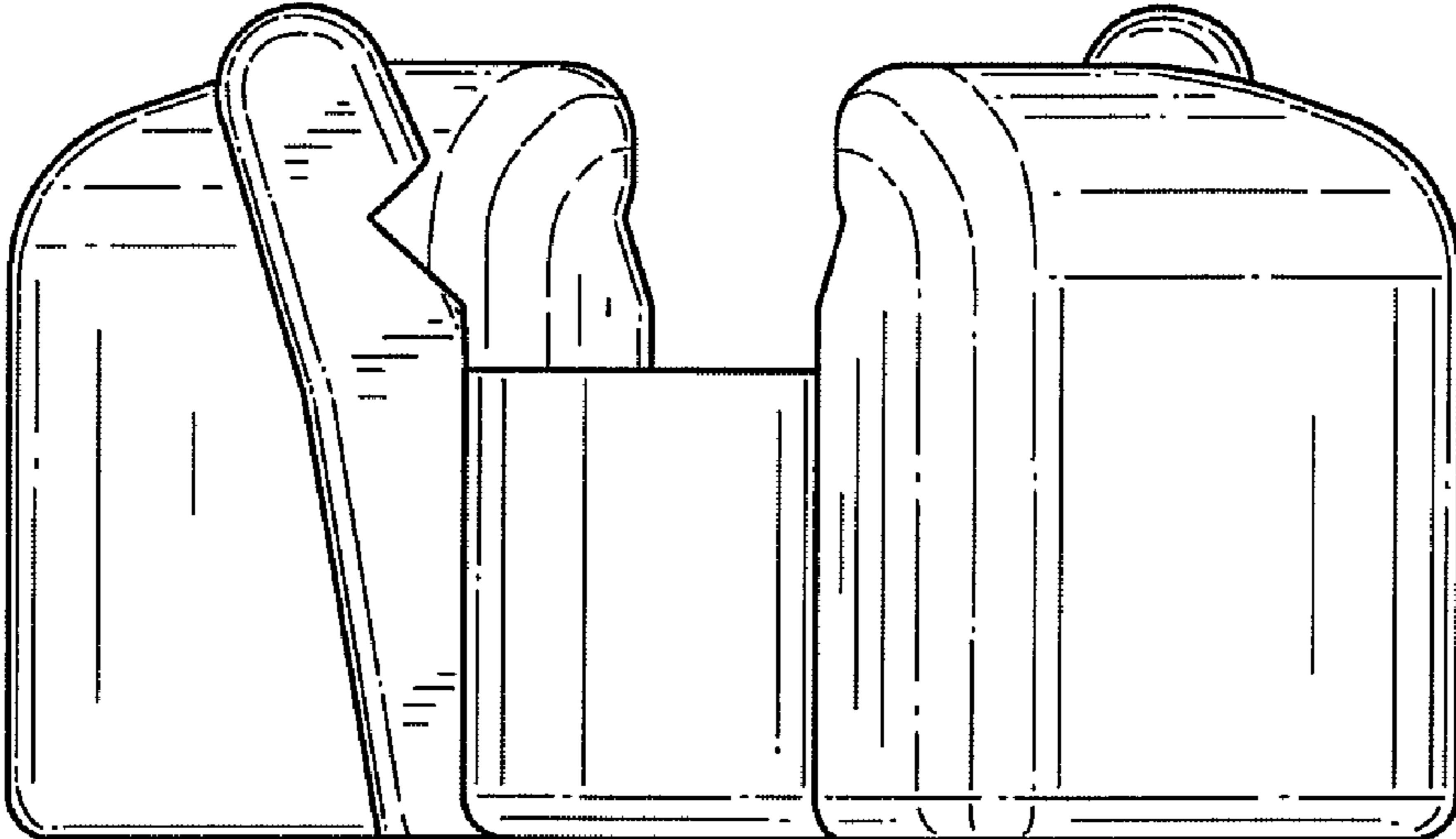


FIG.3

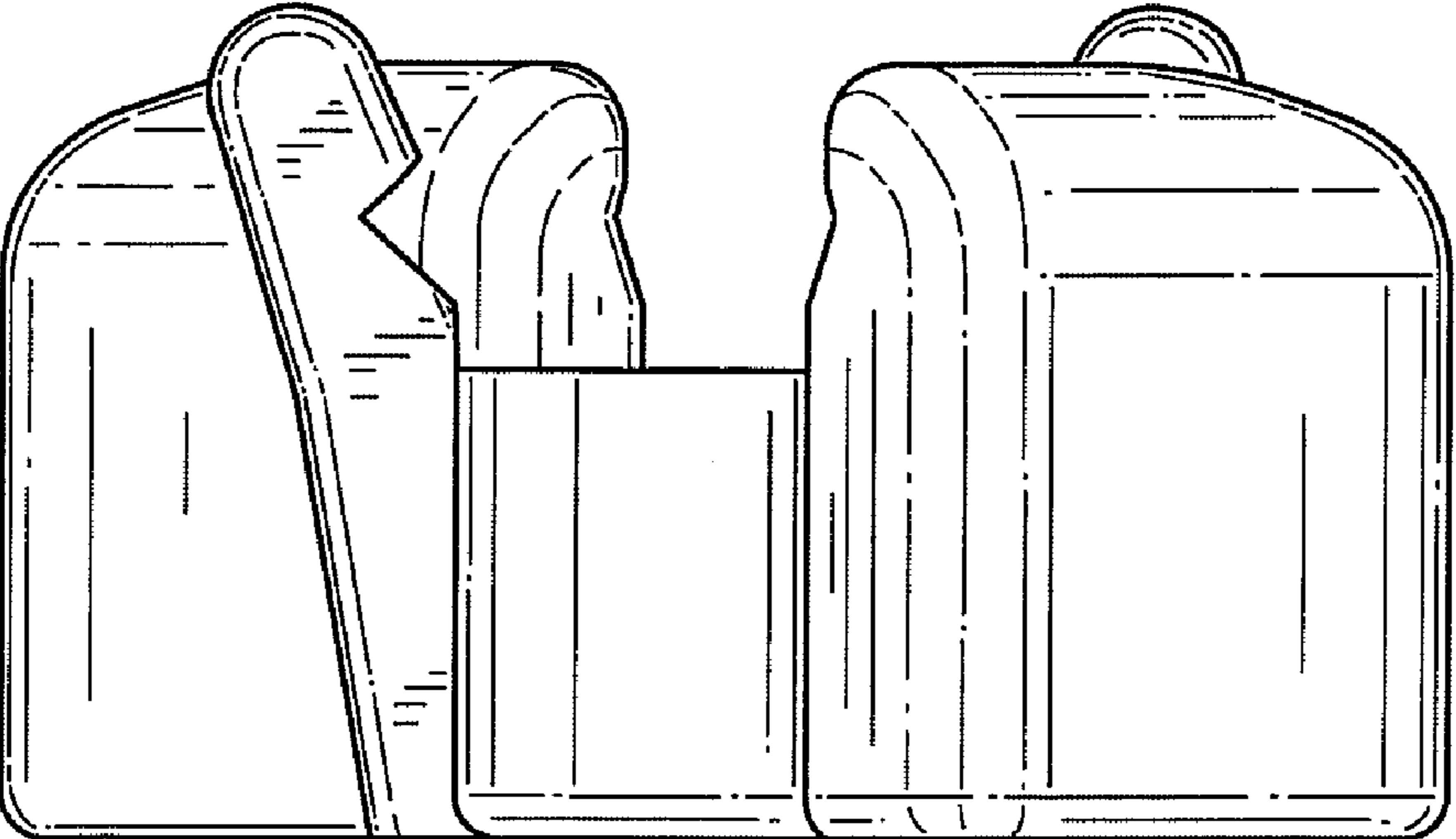


FIG.4

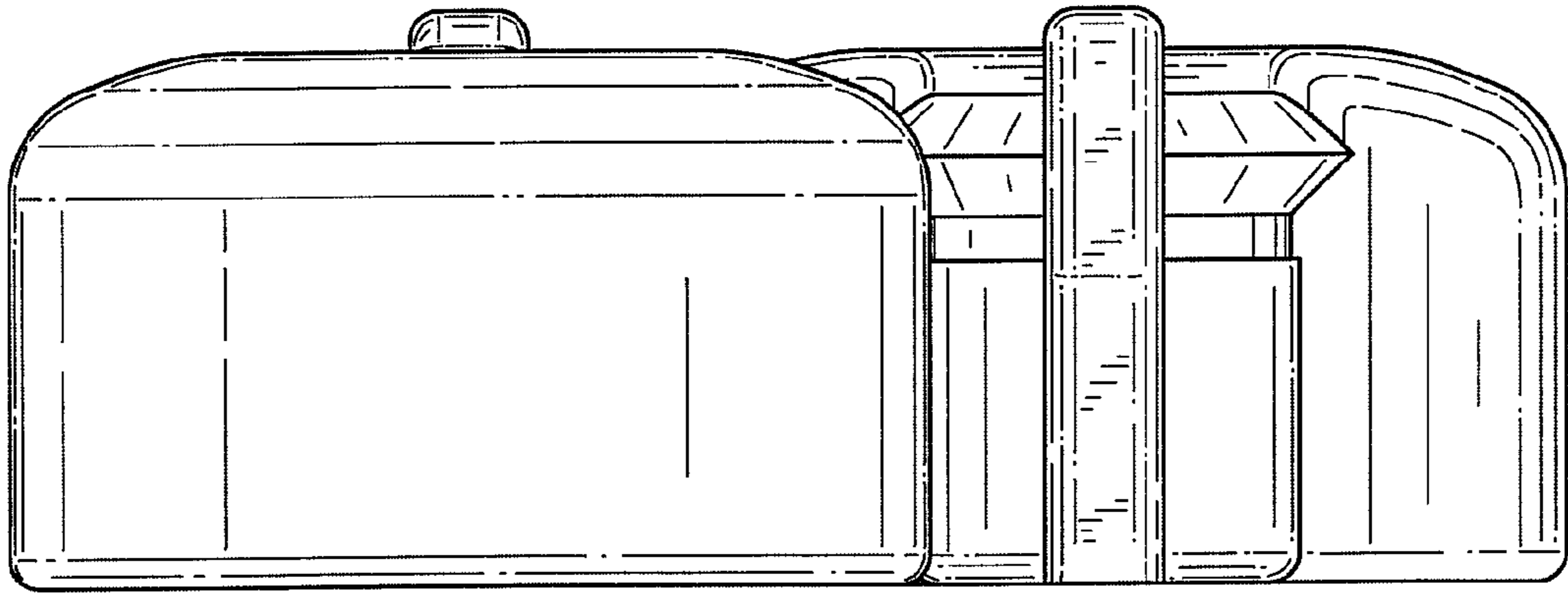


FIG. 5

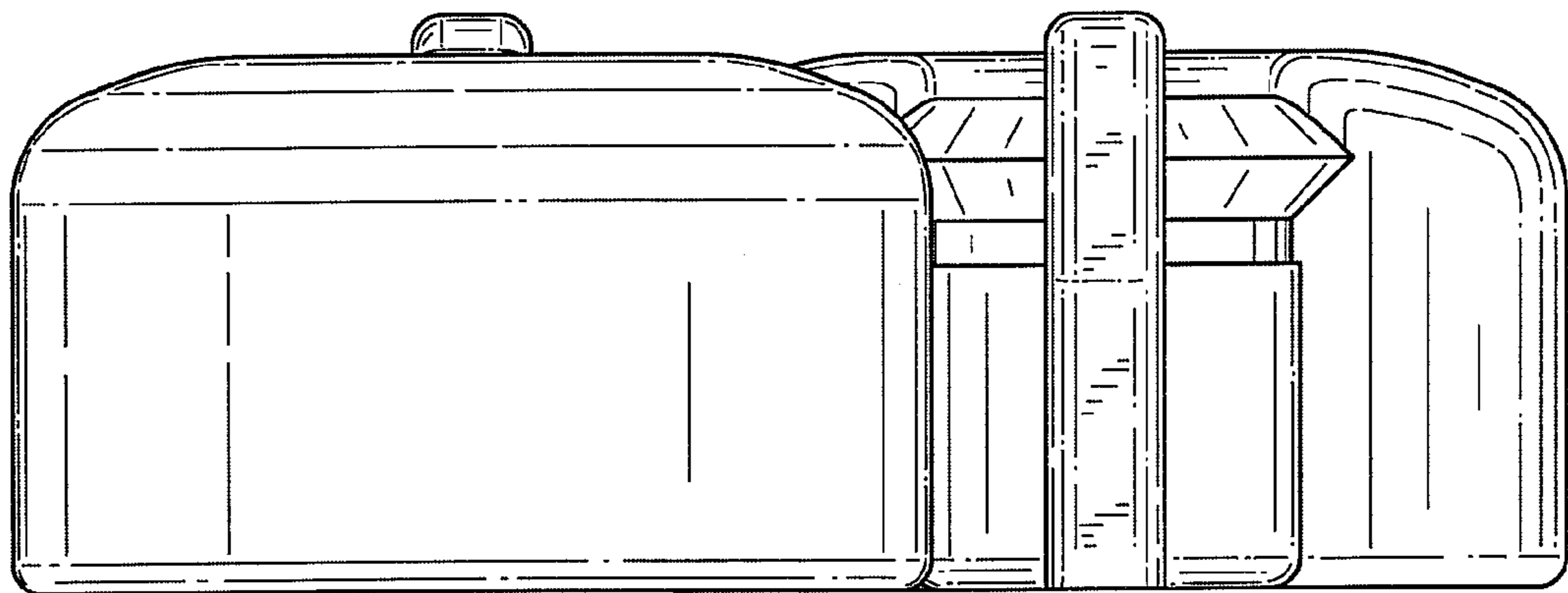


FIG. 6

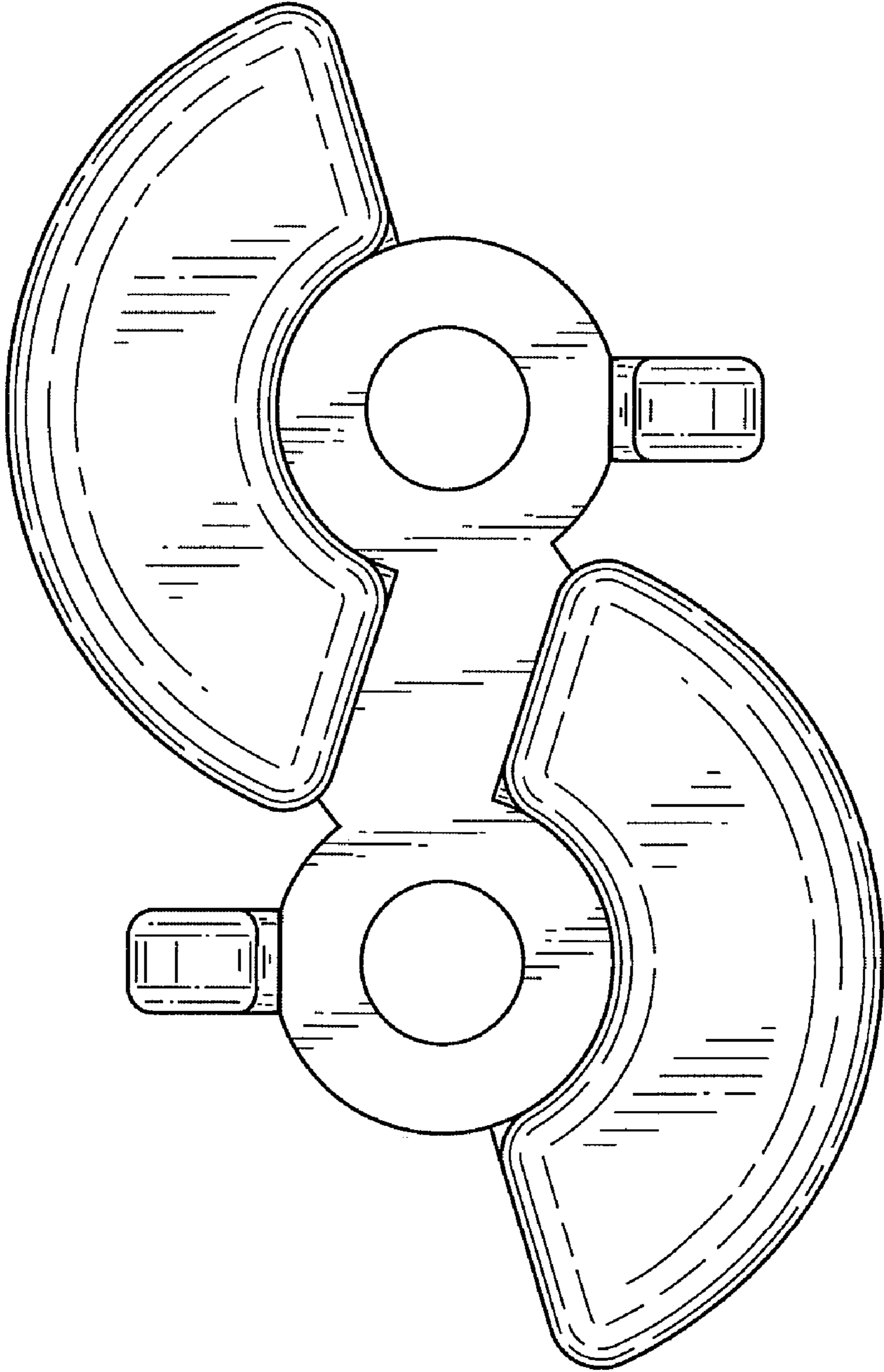


FIG.7

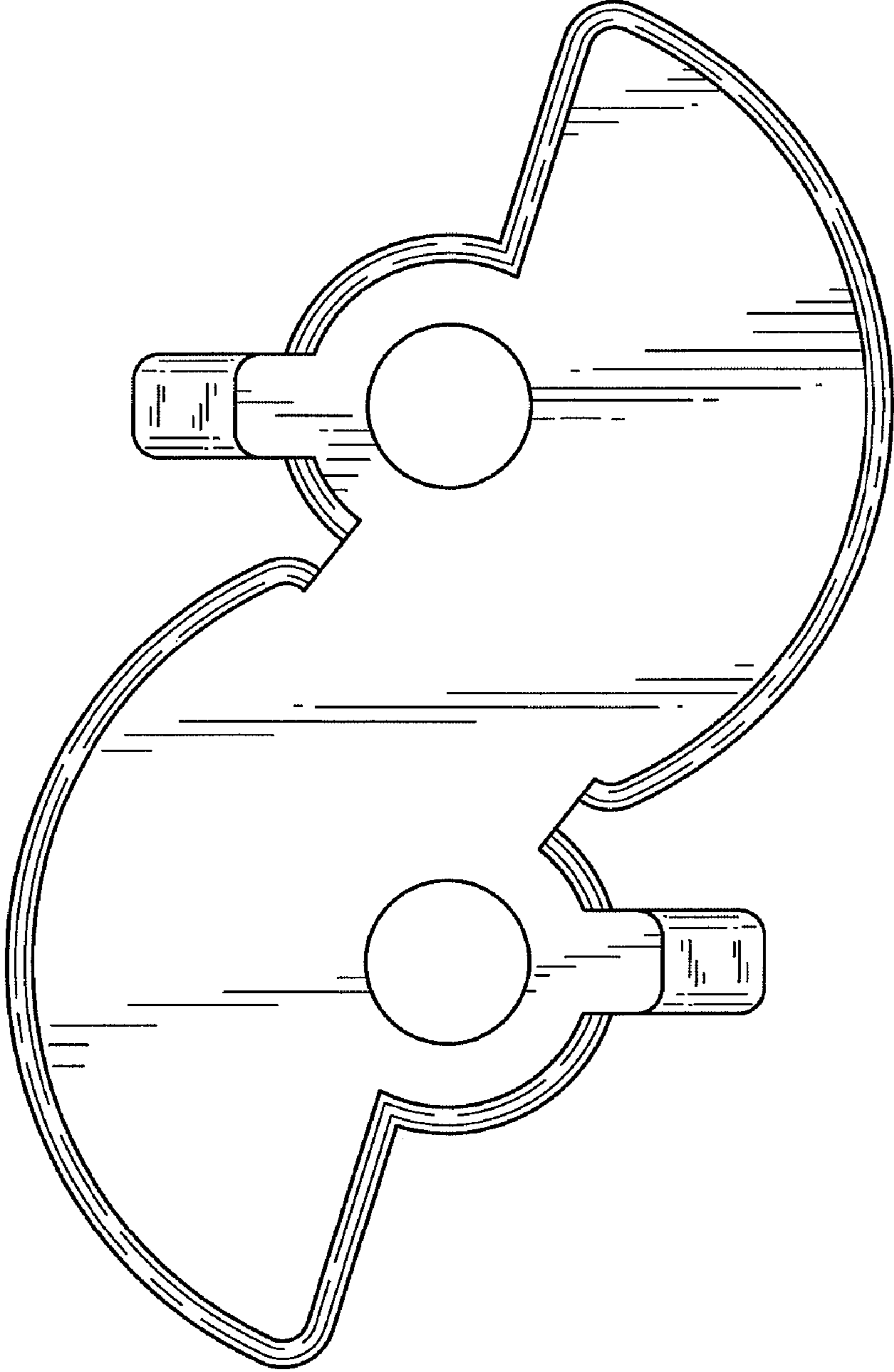


FIG.8

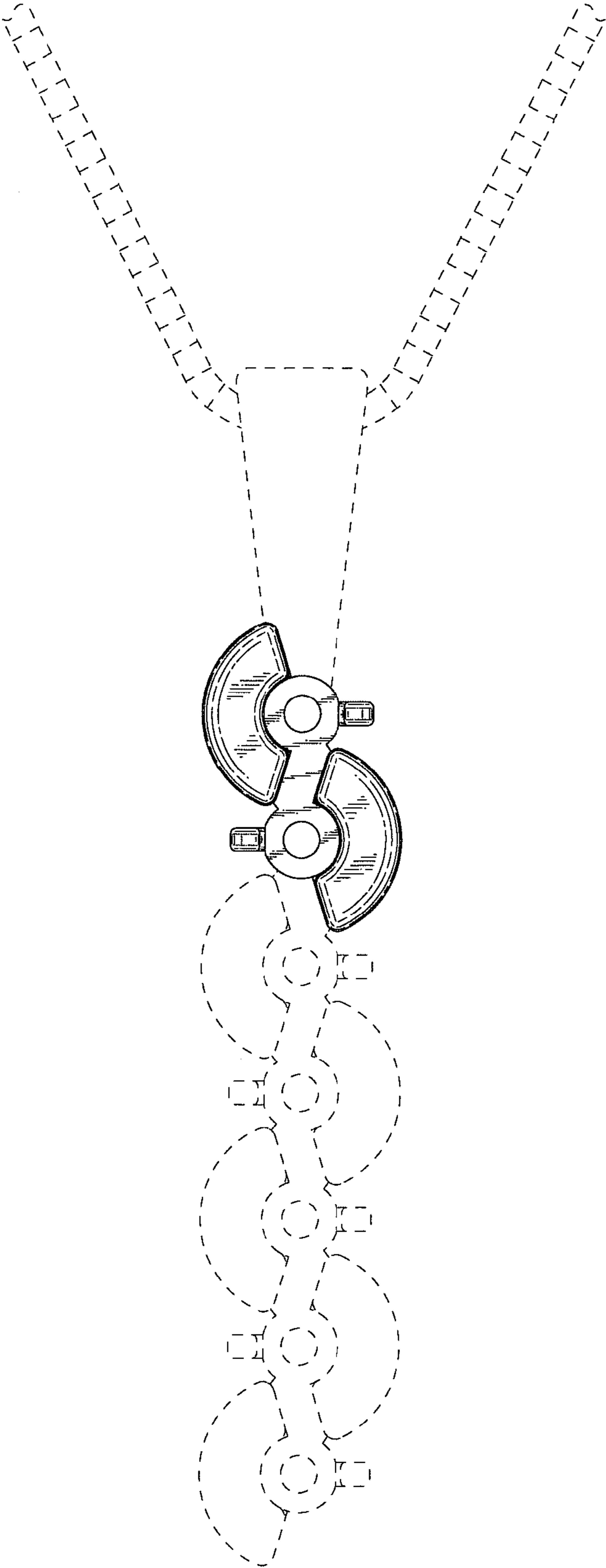


FIG.9

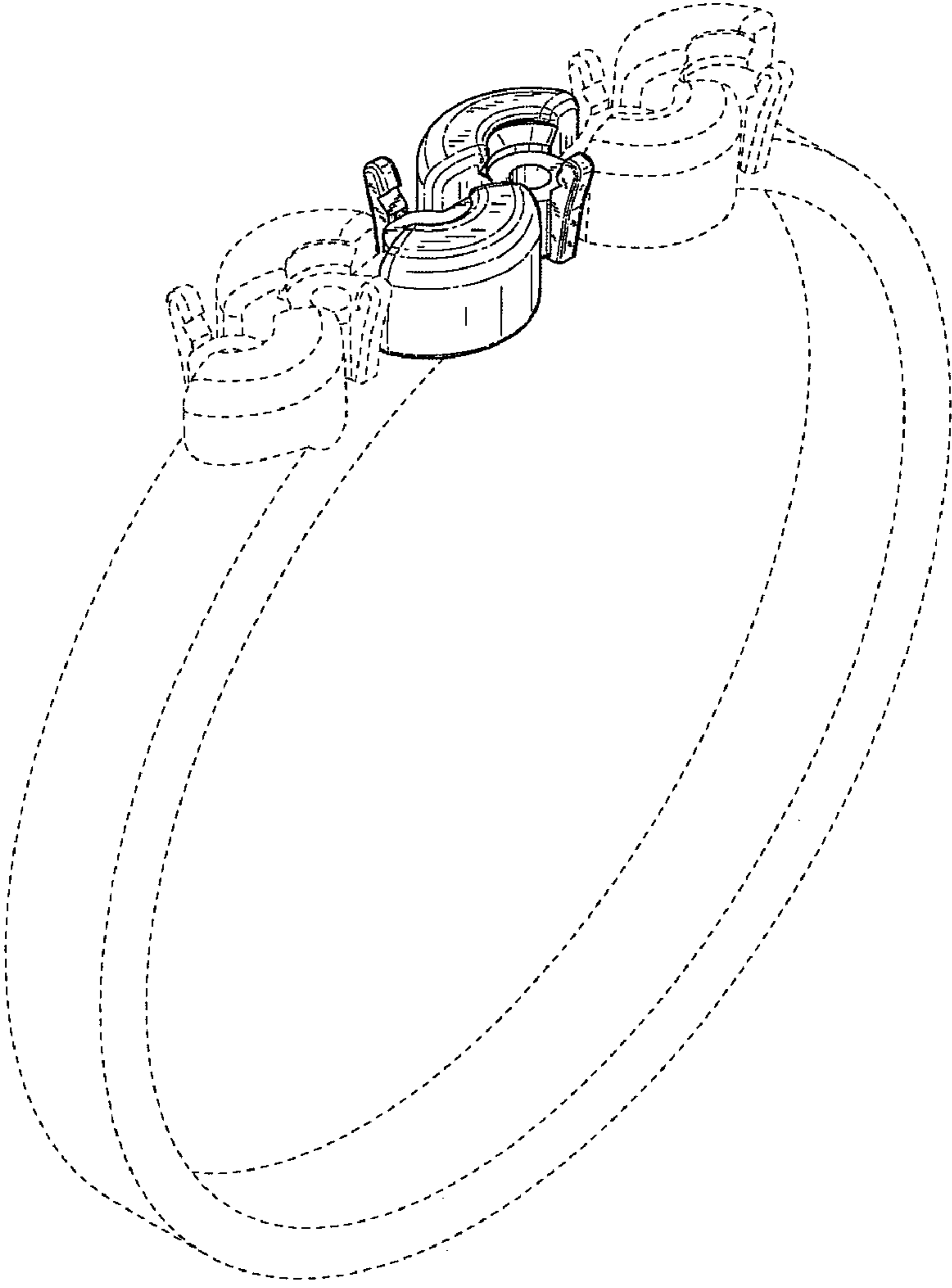


FIG.10