

US00D544394S

(12) **United States Design Patent**
Olsen

(10) **Patent No.:** **US D544,394 S**

(45) **Date of Patent:** **** Jun. 12, 2007**

(54) **JEWELRY SETTING**

(75) Inventor: **Mark L. Olsen**, Burnsville, MN (US)

(73) Assignee: **Shane Co.**, Englewood, CO (US)

(**) Term: **14 Years**

(21) Appl. No.: **29/258,225**

(22) Filed: **Apr. 17, 2006**

(51) **LOC (8) Cl.** **11-01**

(52) **U.S. Cl.** **D11/91**

(58) **Field of Classification Search** D11/91,
D11/1, 2, 6-12, 16, 26-28, 35, 79, 89, 90,
D11/92, 93; 63/23, 28, 1, 26, 15, 13, 20
See application file for complete search history.

(56) **References Cited**

U.S. PATENT DOCUMENTS

D30,647 S *	5/1899	Pfeil	D11/26
D129,777 S *	9/1941	Jordan	D11/35
D197,796 S *	3/1964	Nolan	D11/28
D197,800 S *	3/1964	Nolan	D11/26
D254,537 S *	3/1980	Abelson	D11/27
D375,467 S *	11/1996	Thylmann et al.	D11/93
D437,248 S *	2/2001	Cabarbaye	D11/26
D437,249 S *	2/2001	Cabarbaye	D11/26
6,820,442 B2 *	11/2004	Kimura	63/15
D514,011 S *	1/2006	Aghjayan et al.	D11/35
D519,874 S *	5/2006	Allin	D11/35

2002/0170314 A1* 11/2002 Konieczny 63/15
2003/0154740 A1* 8/2003 Arnell 63/26

* cited by examiner

Primary Examiner—Louis Zarfaz

Assistant Examiner—David Muller

(74) *Attorney, Agent, or Firm*—Marsh Fischmann & Breyfogle LLP

(57) **CLAIM**

The ornamental design for a jewelry setting, as shown and described.

DESCRIPTION

FIG. 1 is a perspective view of a jewelry setting in which a gemstone shown in broken lines is set therein;

FIG. 2 is a perspective view of the jewelry setting;

FIG. 3 is a front view of the jewelry setting;

FIG. 4 is a back view of the jewelry setting;

FIG. 5 is a right side view of the jewelry setting;

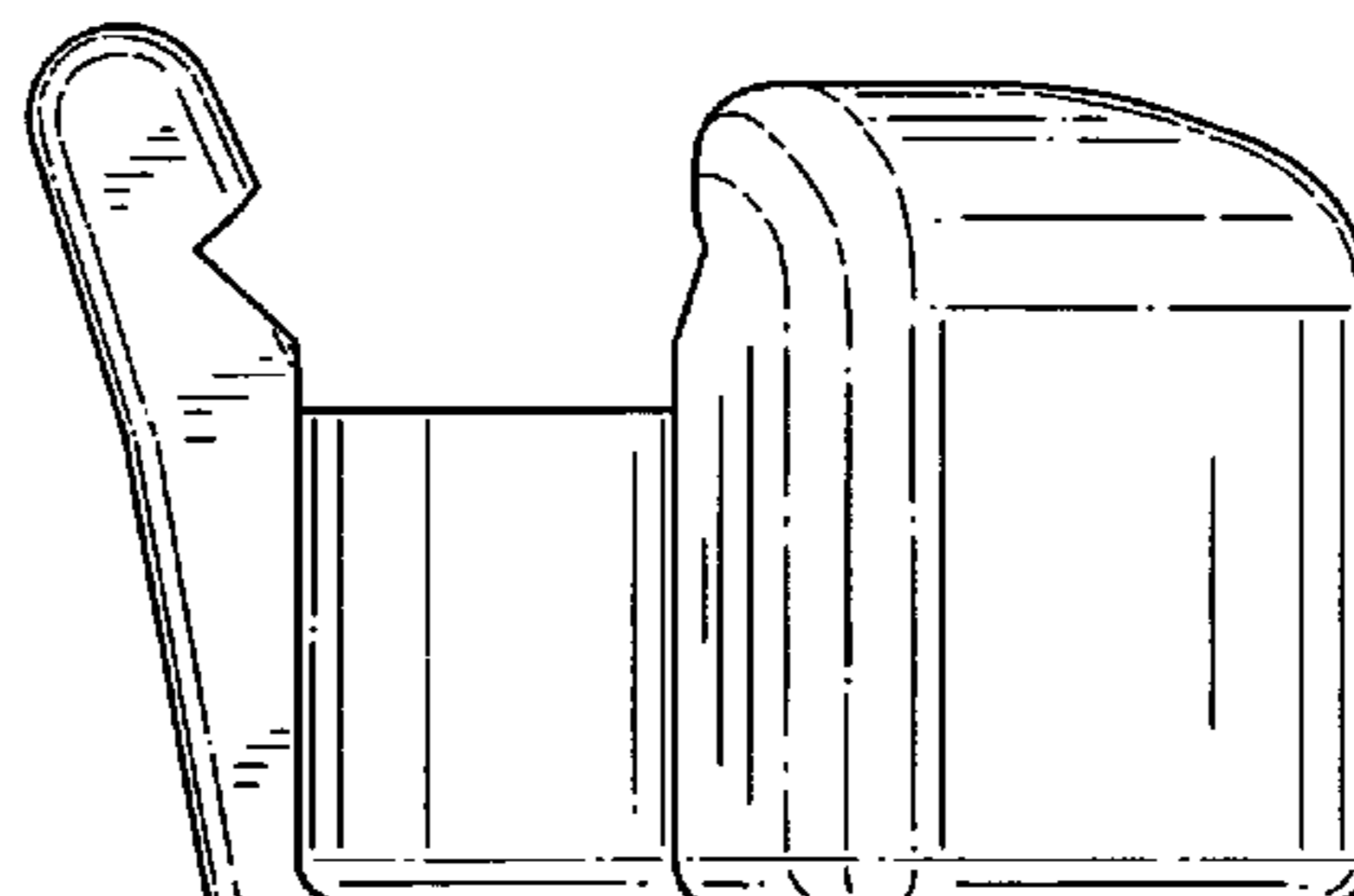
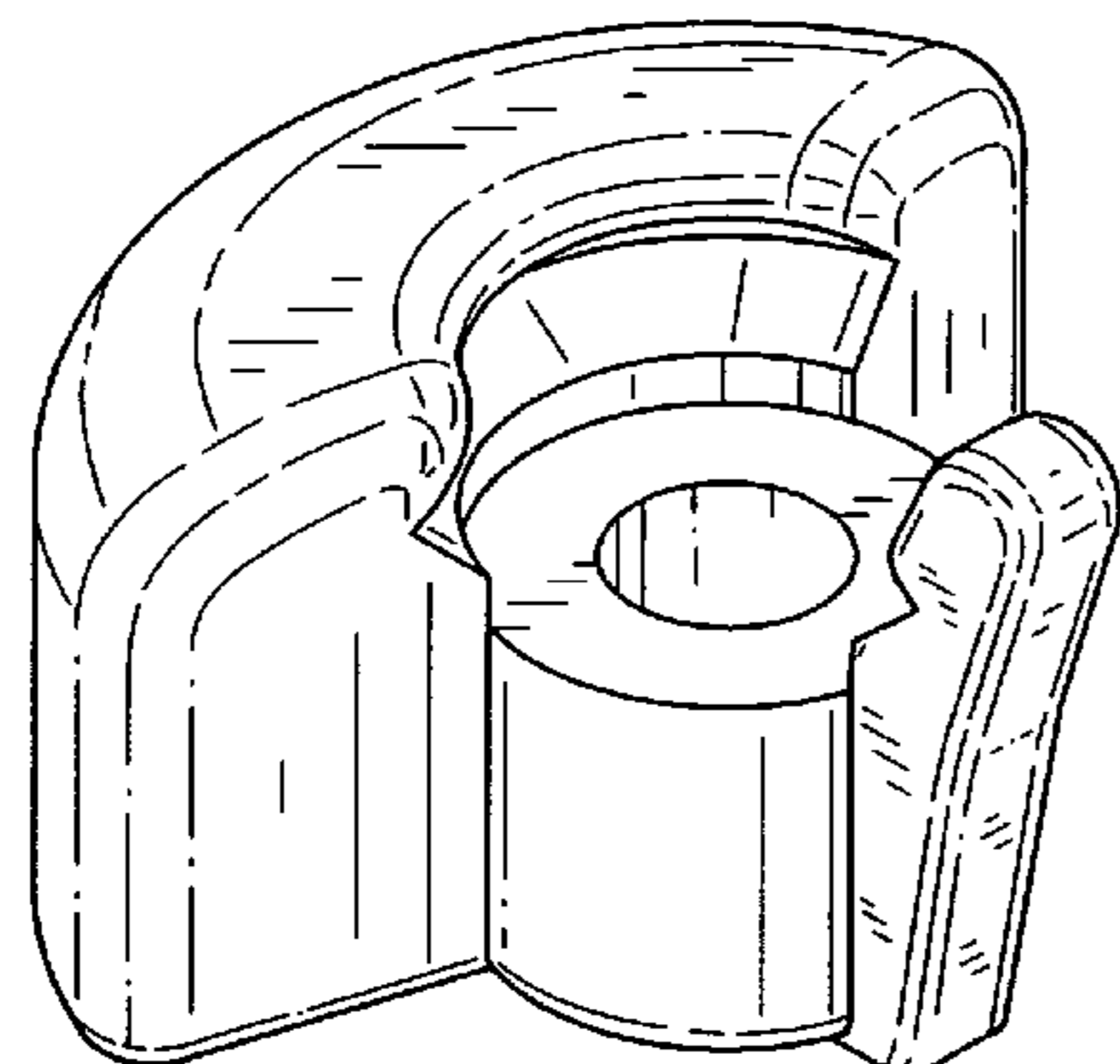
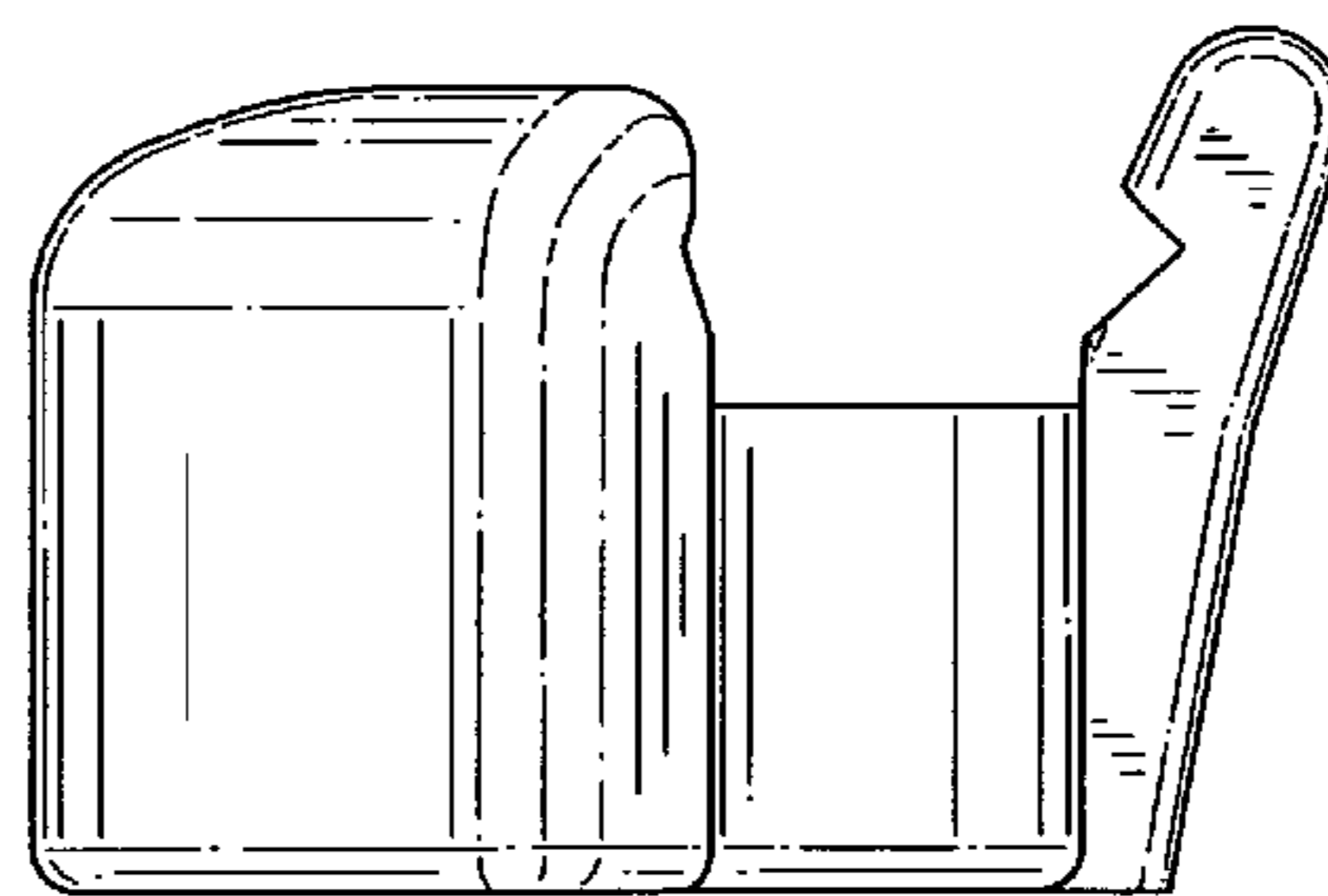
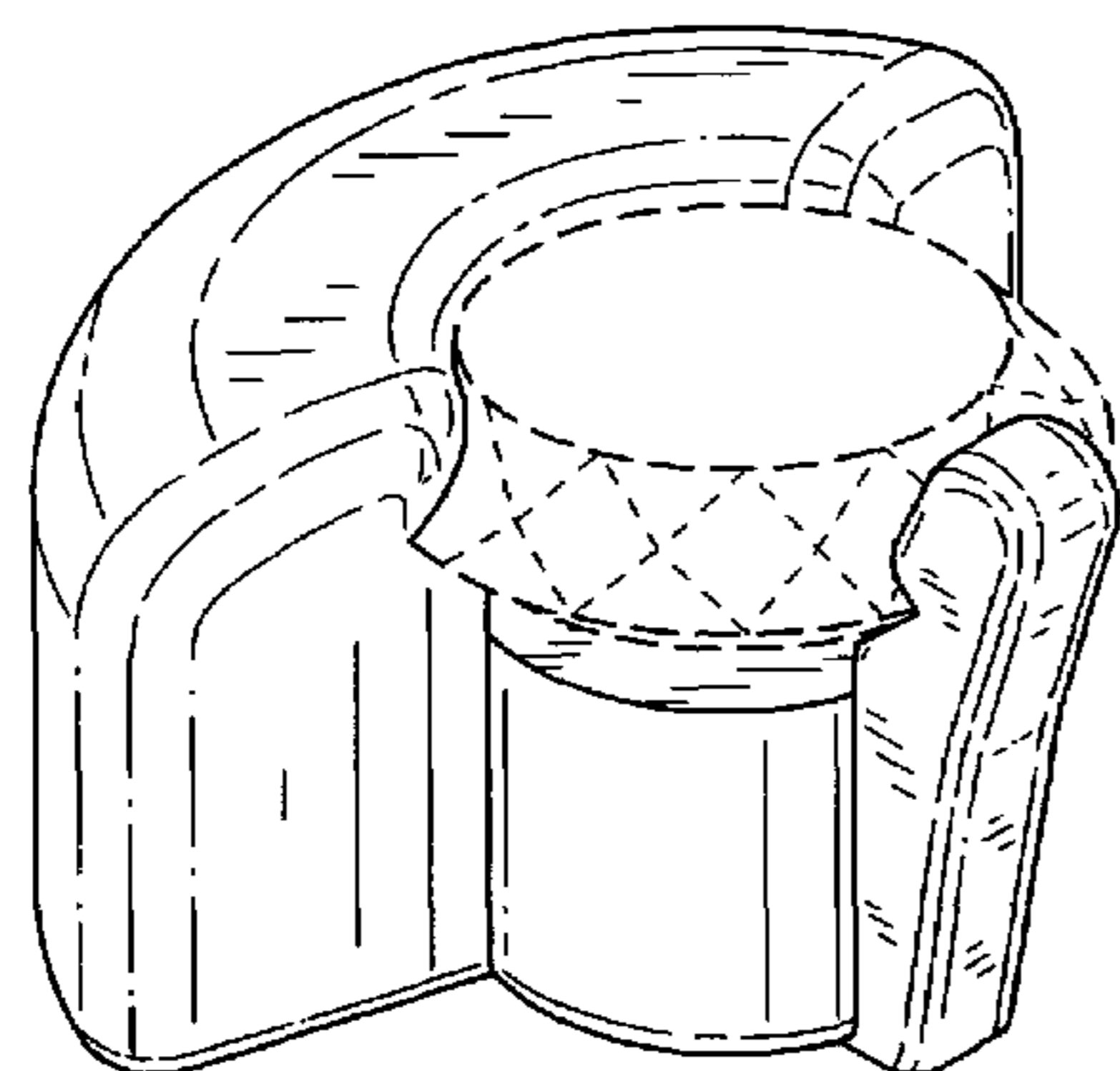
FIG. 6 is a left side view of the jewelry setting;

FIG. 7 is a top view of the jewelry setting; and,

FIG. 8 is a bottom view of the jewelry setting.

In the figures, the gemstone shown in broken lines does not form any part of the claimed design.

1 Claim, 5 Drawing Sheets



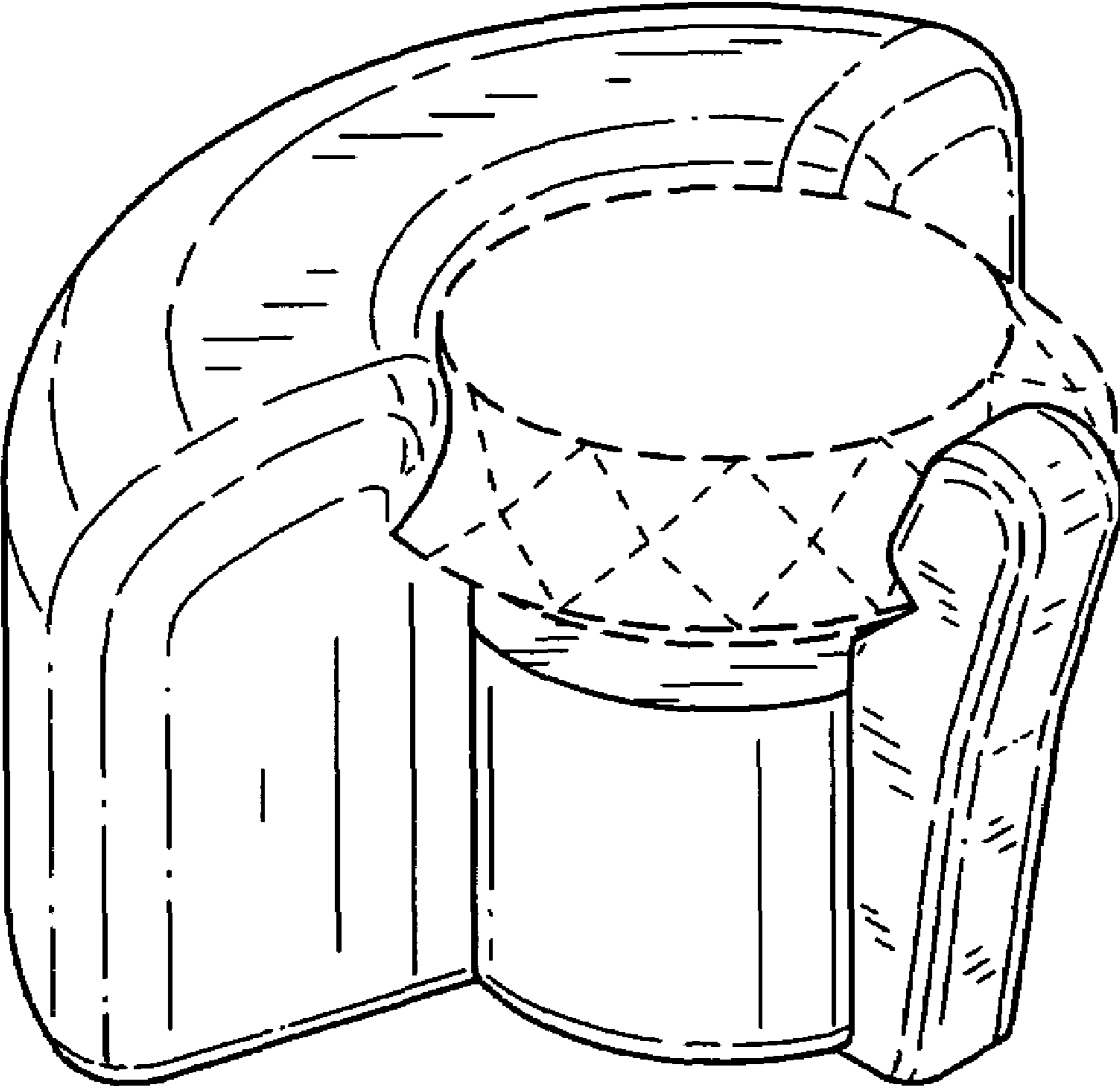


FIG.1

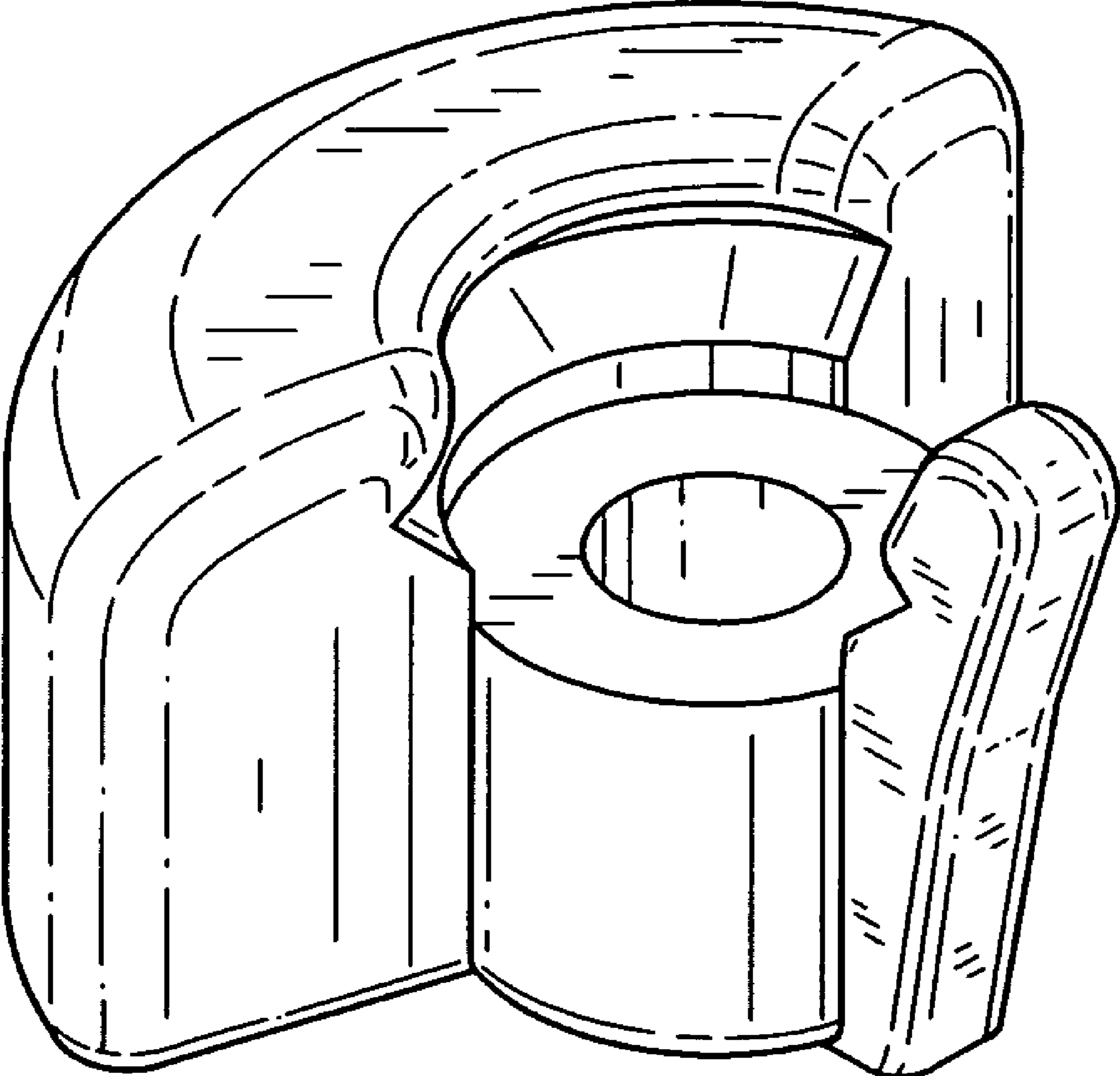


FIG.2

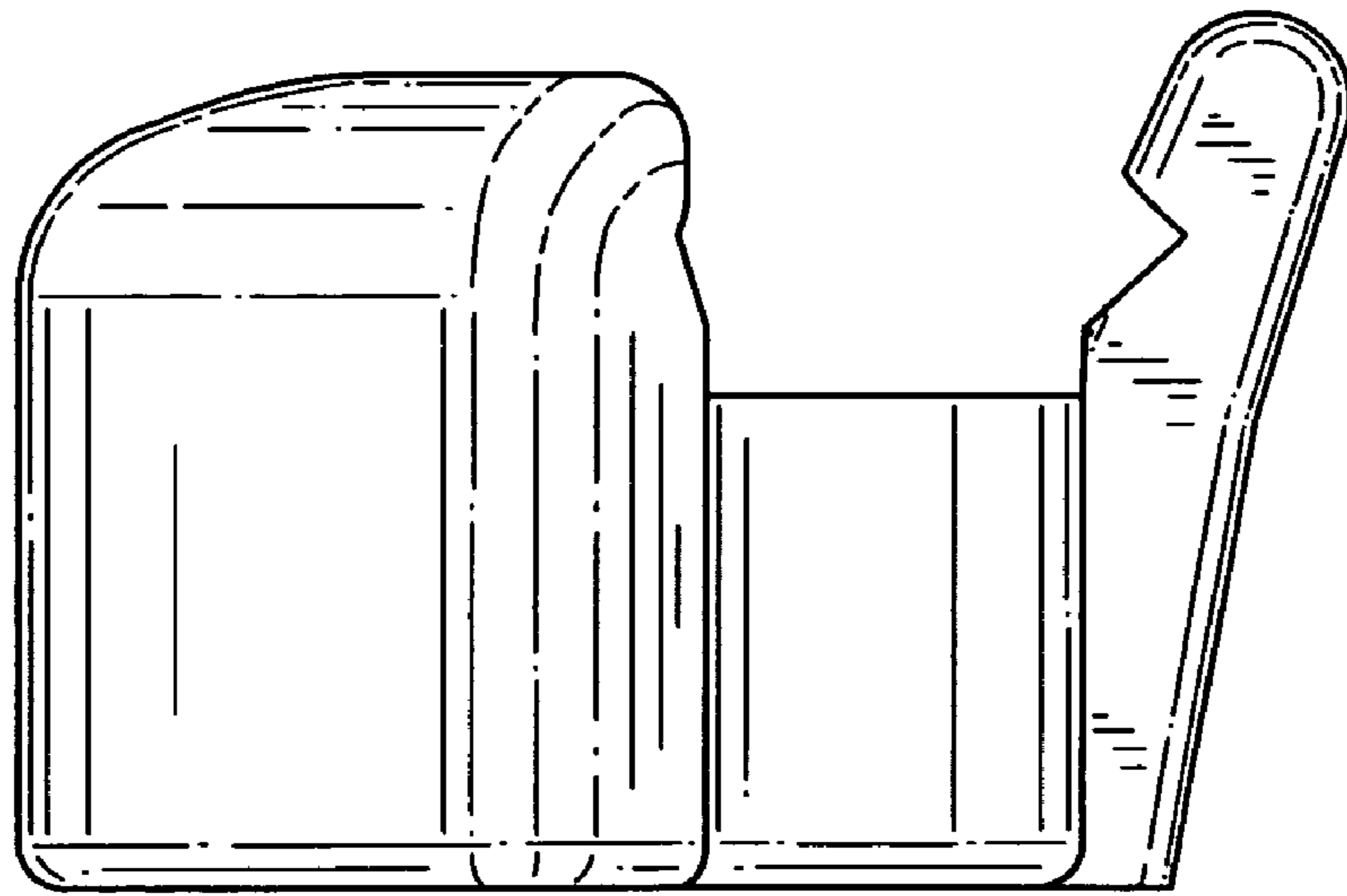


FIG. 3

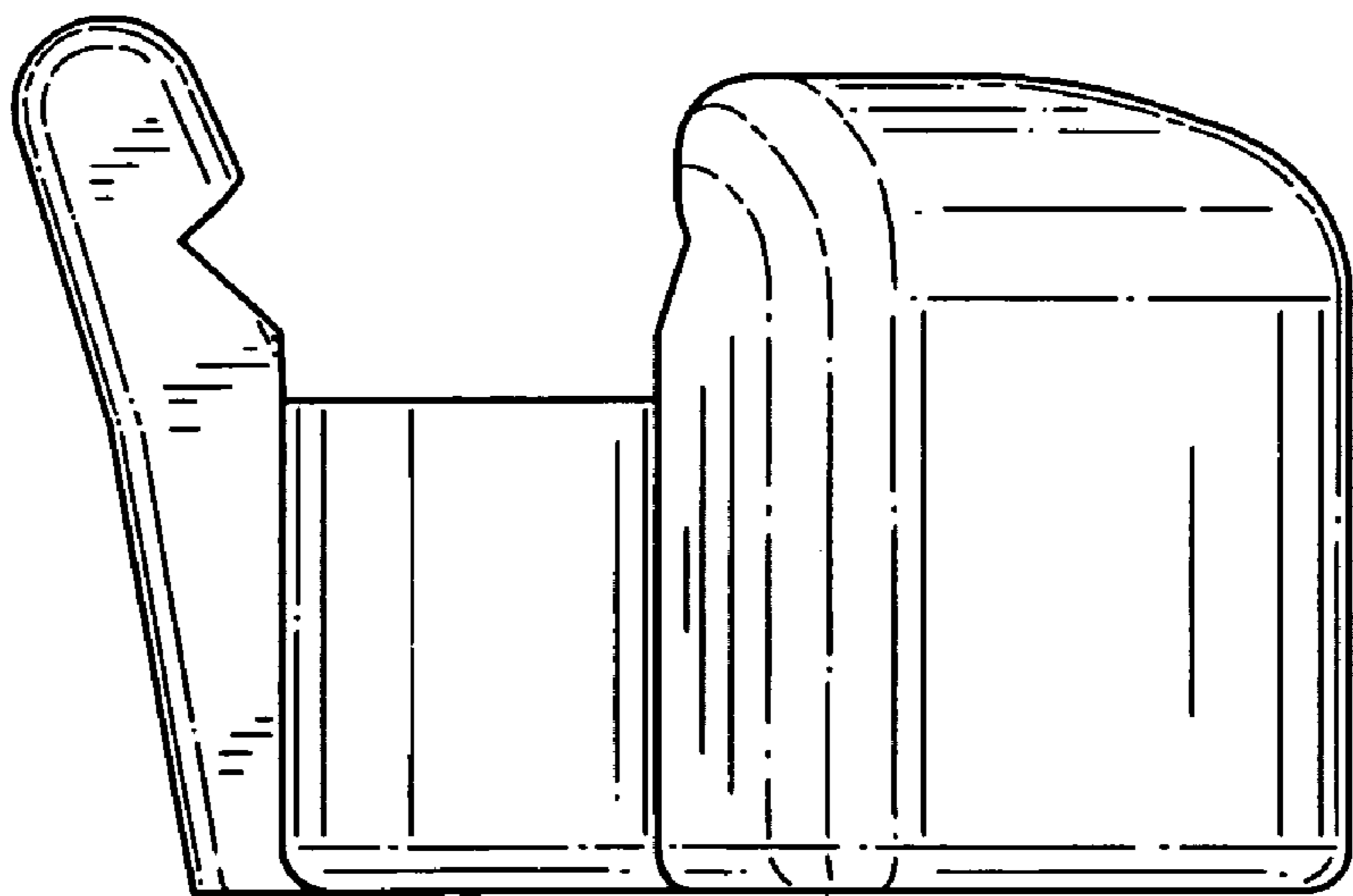


FIG. 4

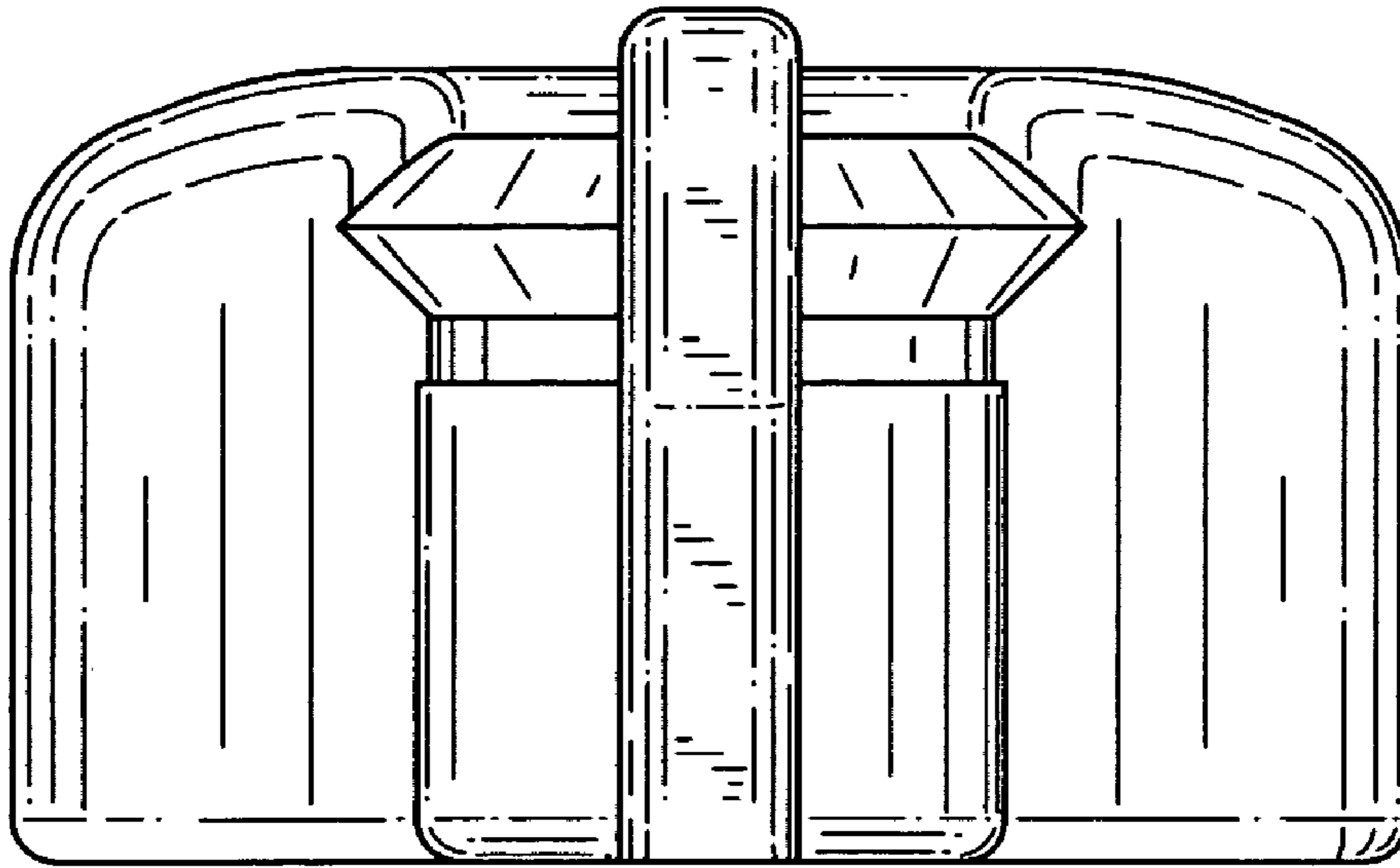


FIG. 5

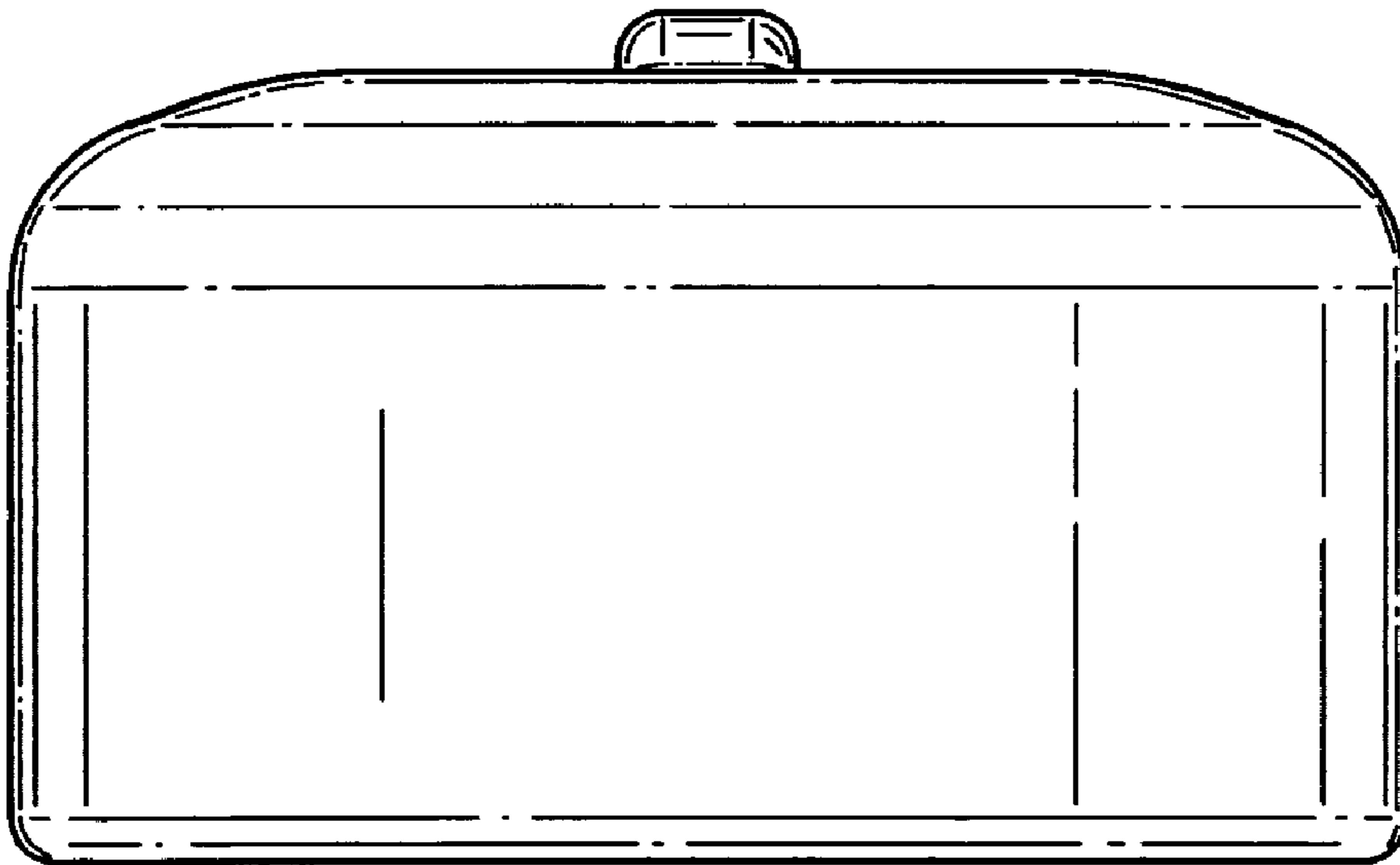


FIG. 6

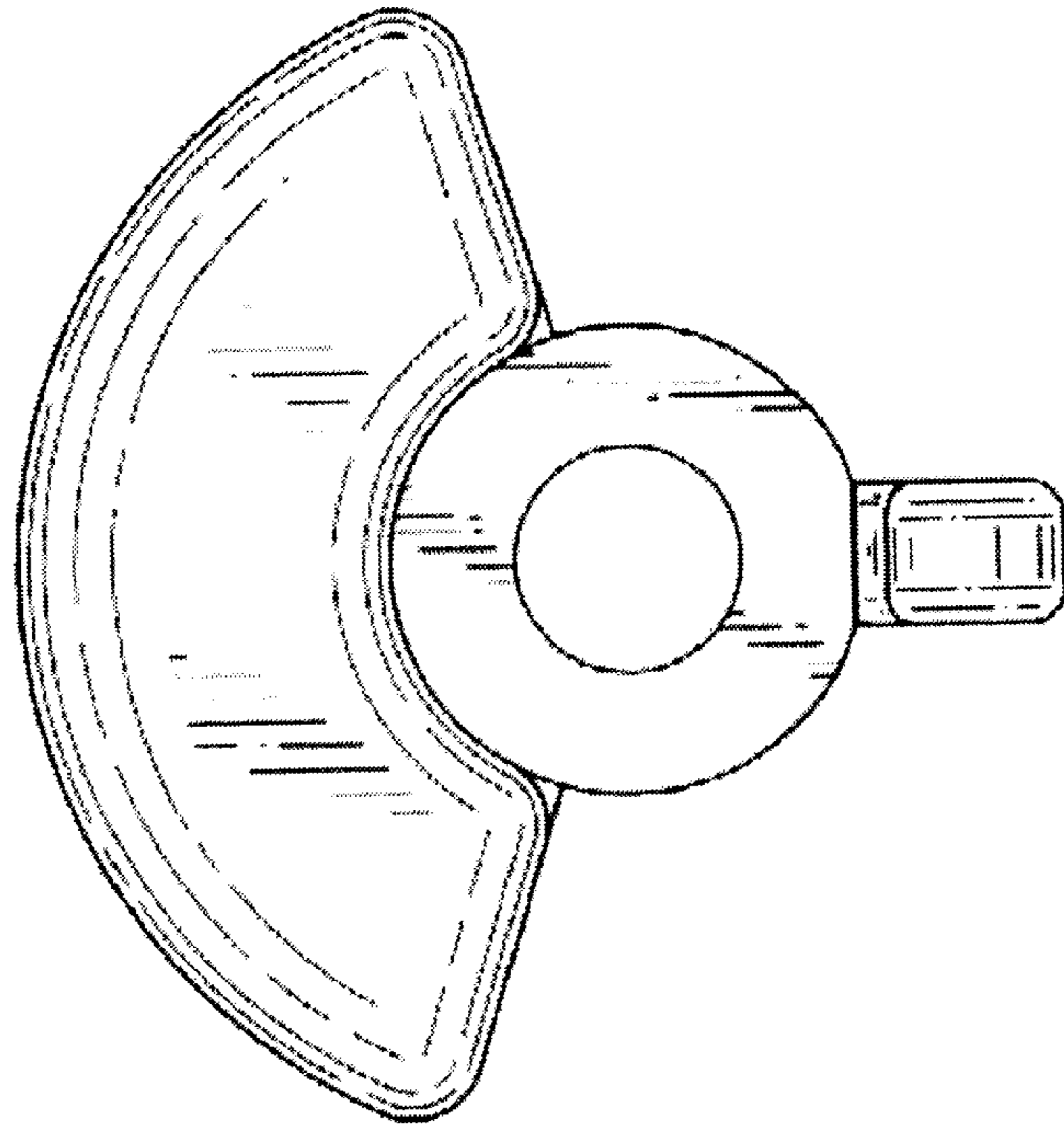


FIG. 7

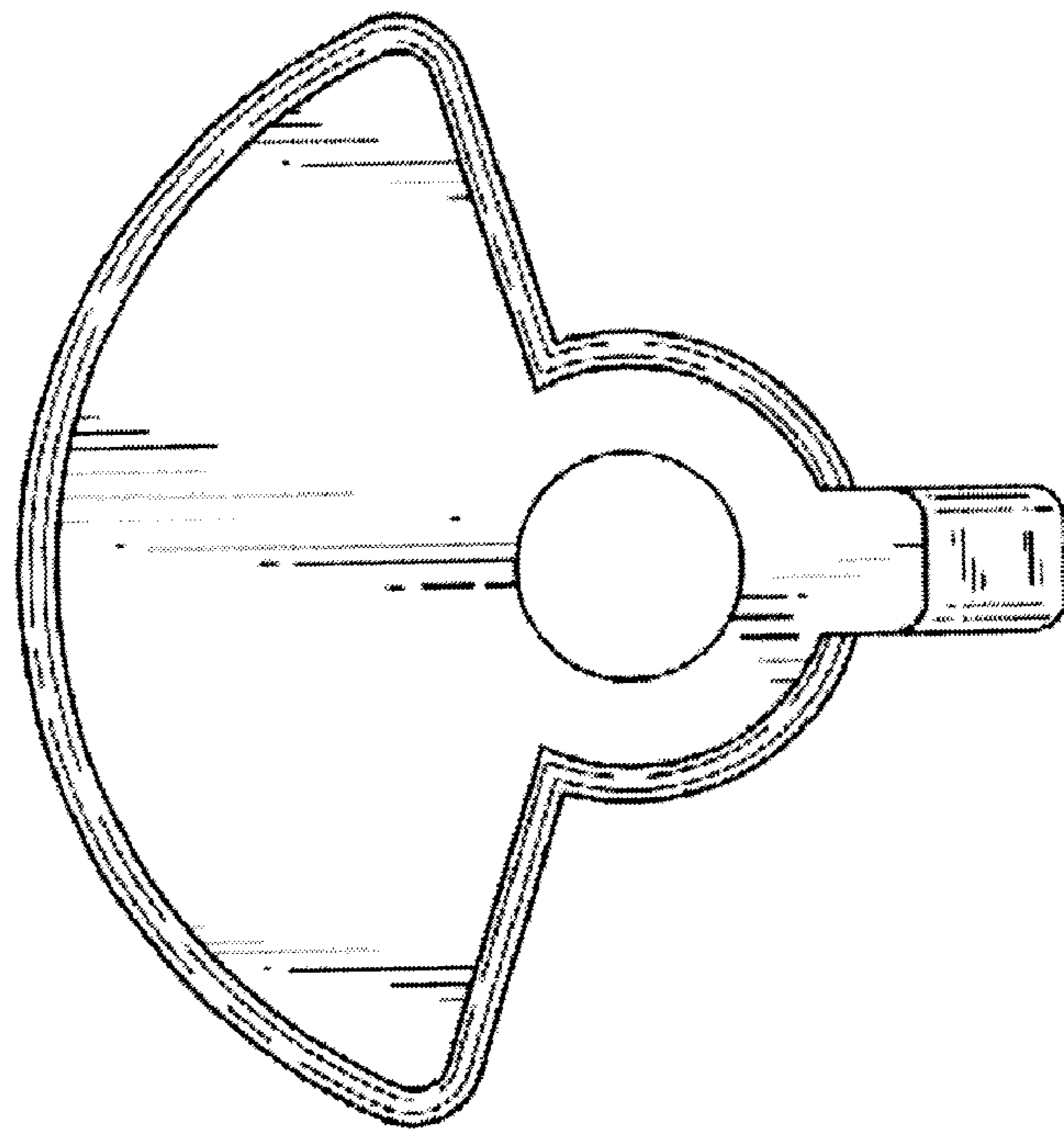


FIG. 8