

US00D544388S

(12) **United States Design Patent**
Chisholm

(10) **Patent No.:** **US D544,388 S**

(45) **Date of Patent:** **** Jun. 12, 2007**

(54) **EMERGENCY LIGHT**

(76) **Inventor:** **Philip Patrick Chisholm**, 2104 West
13th Ave., Vancouver, BC (CA) B6K
2S1

(**) **Term:** **14 Years**

(21) **Appl. No.:** **29/269,972**

(22) **Filed:** **Dec. 13, 2006**

(51) **LOC (8) Cl.** **10-05**

(52) **U.S. Cl.** **D10/114; D26/37; D26/60**

(58) **Field of Classification Search** D10/111,
D10/114; D26/28, 37, 60; 362/98, 99, 171,
362/178, 184, 190, 200, 220, 240, 249, 376,
362/396, 486, 581

See application file for complete search history.

(56) **References Cited**

U.S. PATENT DOCUMENTS

D51,973 S * 4/1918 Pearson et al. D26/37
D222,500 S * 10/1971 Gugelot et al. D26/37
D282,491 S * 2/1986 Doyel D26/60
D374,944 S * 10/1996 Yuen D10/114

D380,566 S * 7/1997 Chen D26/37
6,619,813 B1 * 9/2003 Schnell 362/200
D498,864 S * 11/2004 Lee D26/37
D501,266 S * 1/2005 Harris et al. D26/37
2005/0018421 A1 * 1/2005 Parsons 362/200

* cited by examiner

Primary Examiner—Clare E Heflin

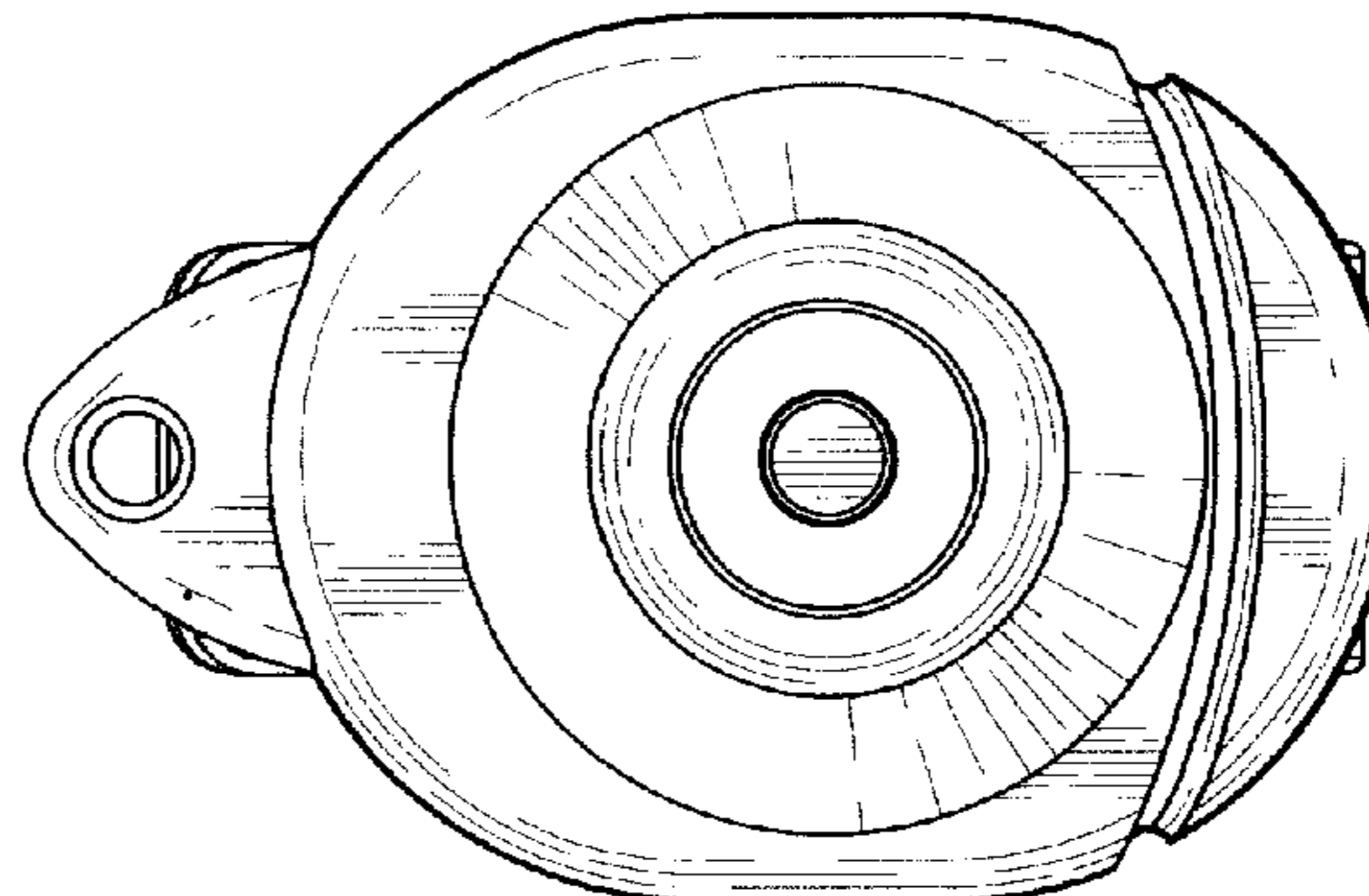
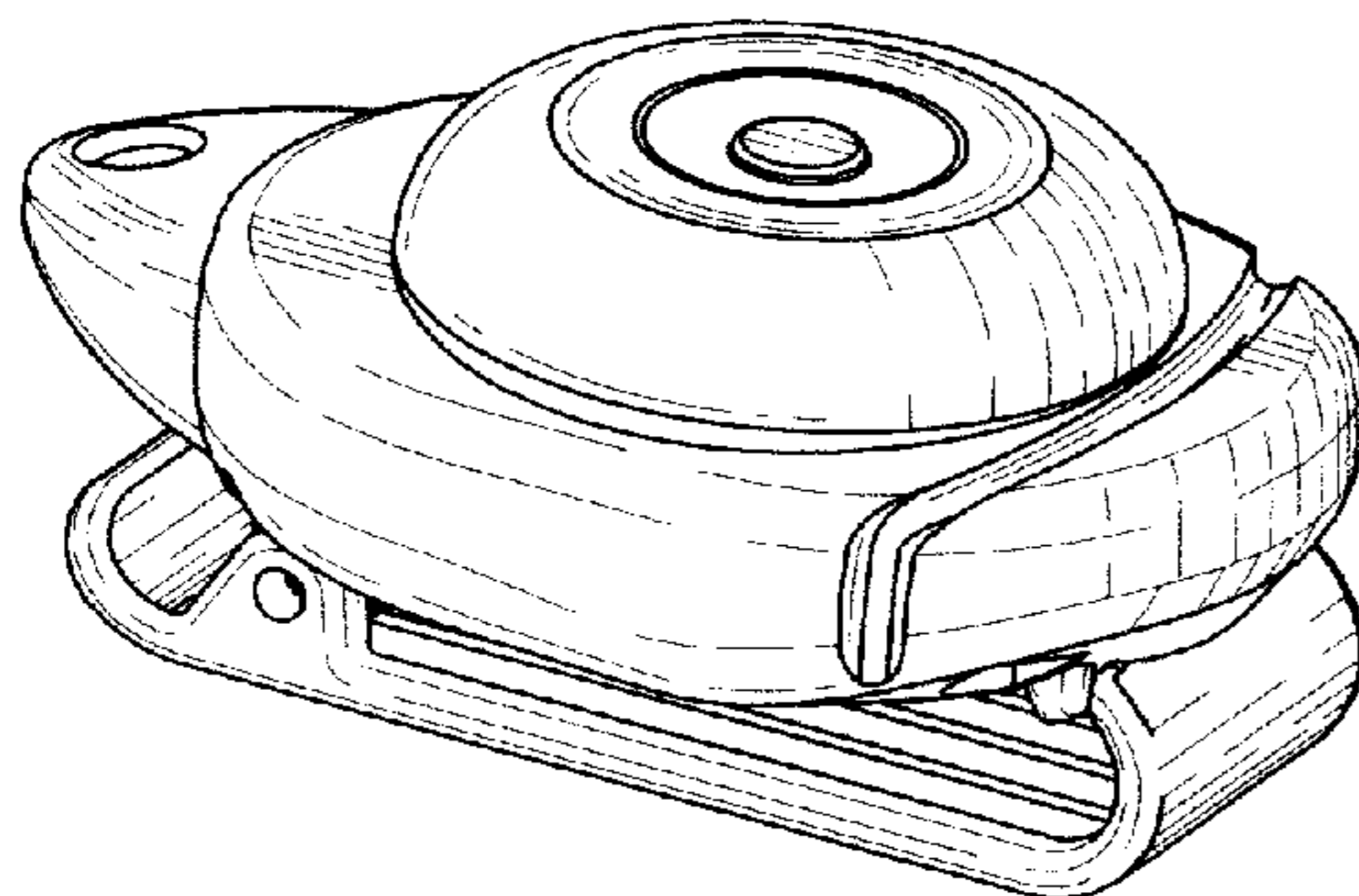
(57) **CLAIM**

I claim the ornamental design for an emergency light, as shown and described.

DESCRIPTION

FIG. 1 is a left perspective view of the emergency light;
FIG. 2 is a top plan view thereof;
FIG. 3 is a bottom plan view thereof;
FIG. 4 is a left side view thereof, with the right side view being a mirror image;
FIG. 5 is a rear view thereof; and,
FIG. 6 is a front view thereof.

1 Claim, 2 Drawing Sheets



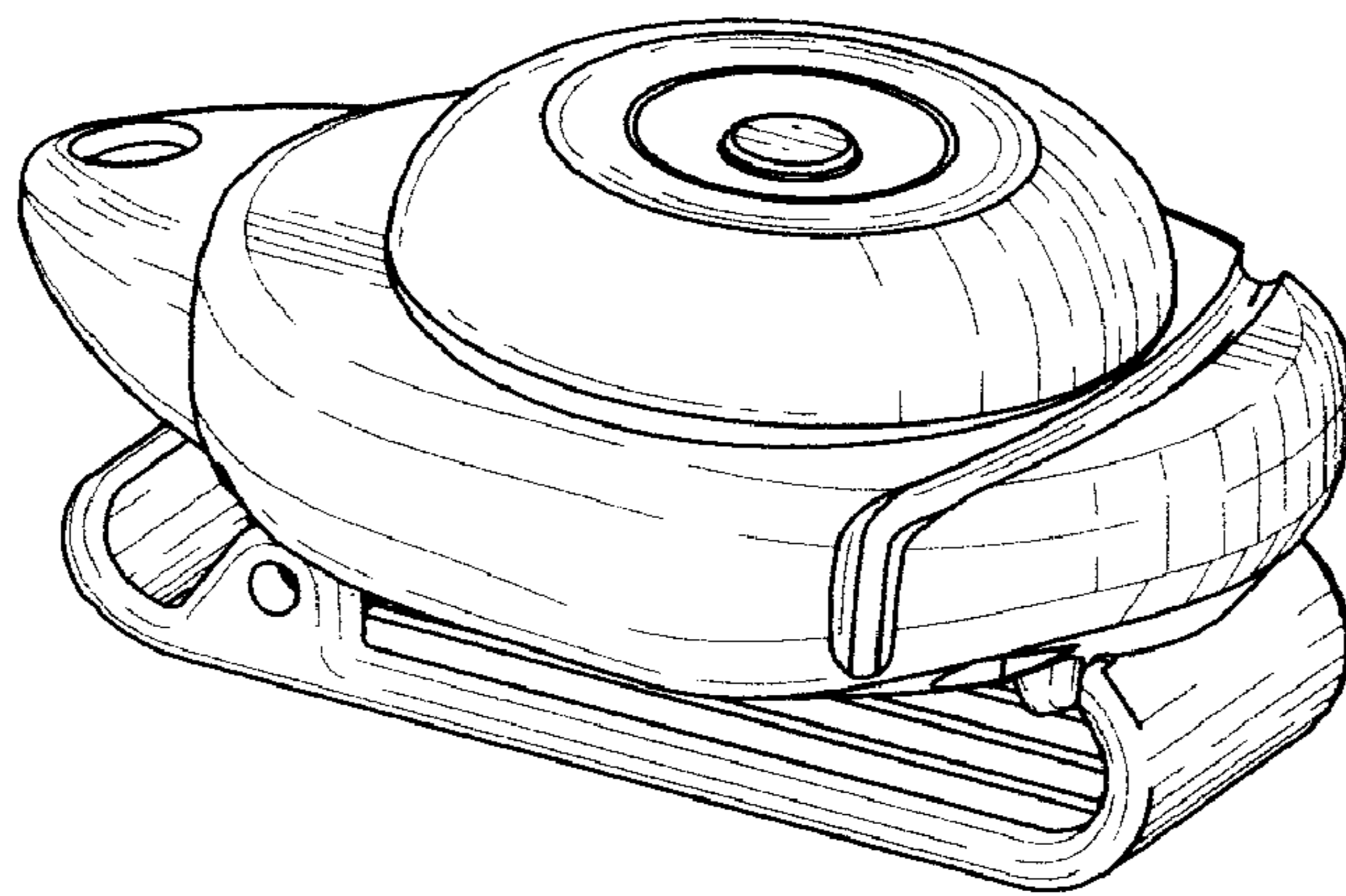


FIG. 1

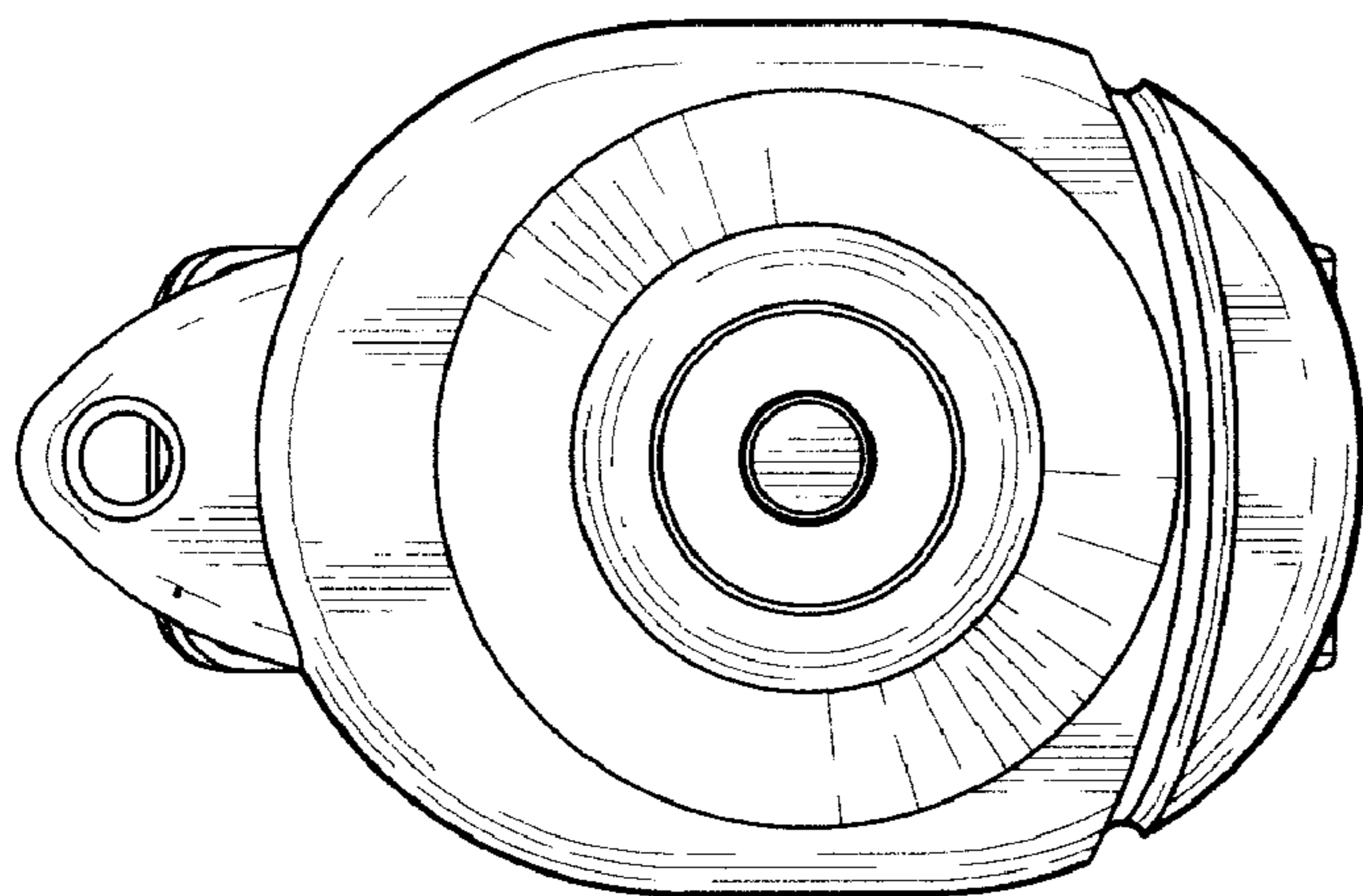


FIG. 2

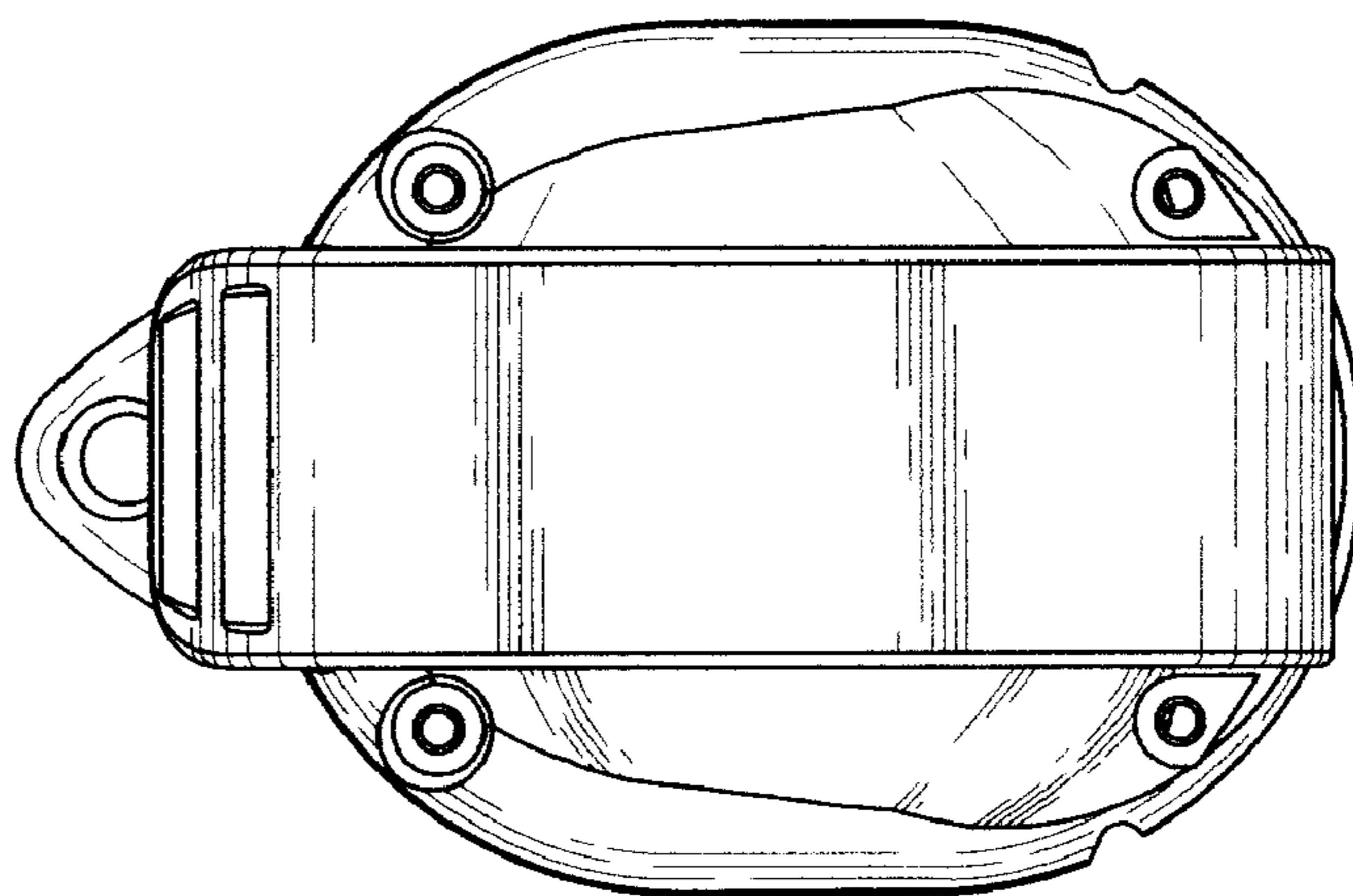


FIG. 3

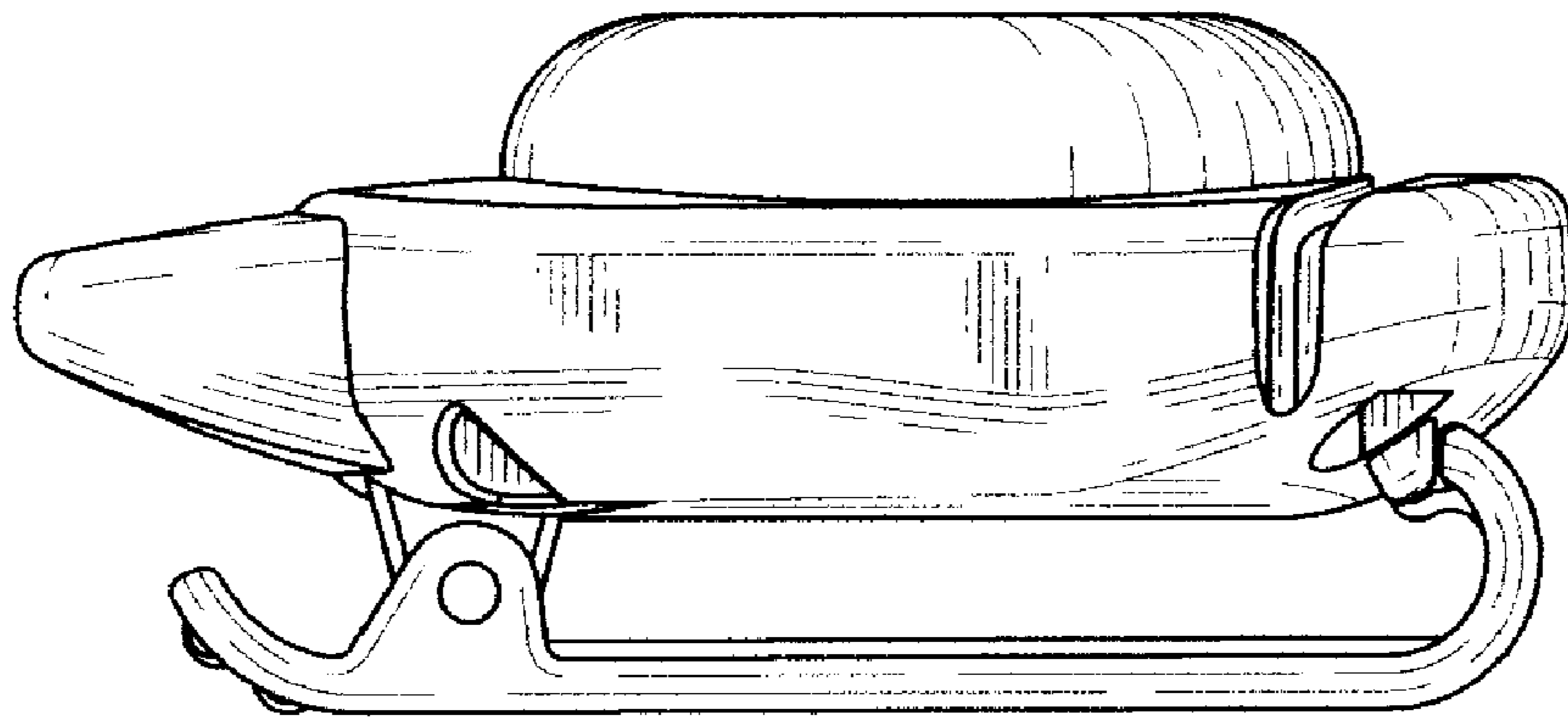


FIG. 4

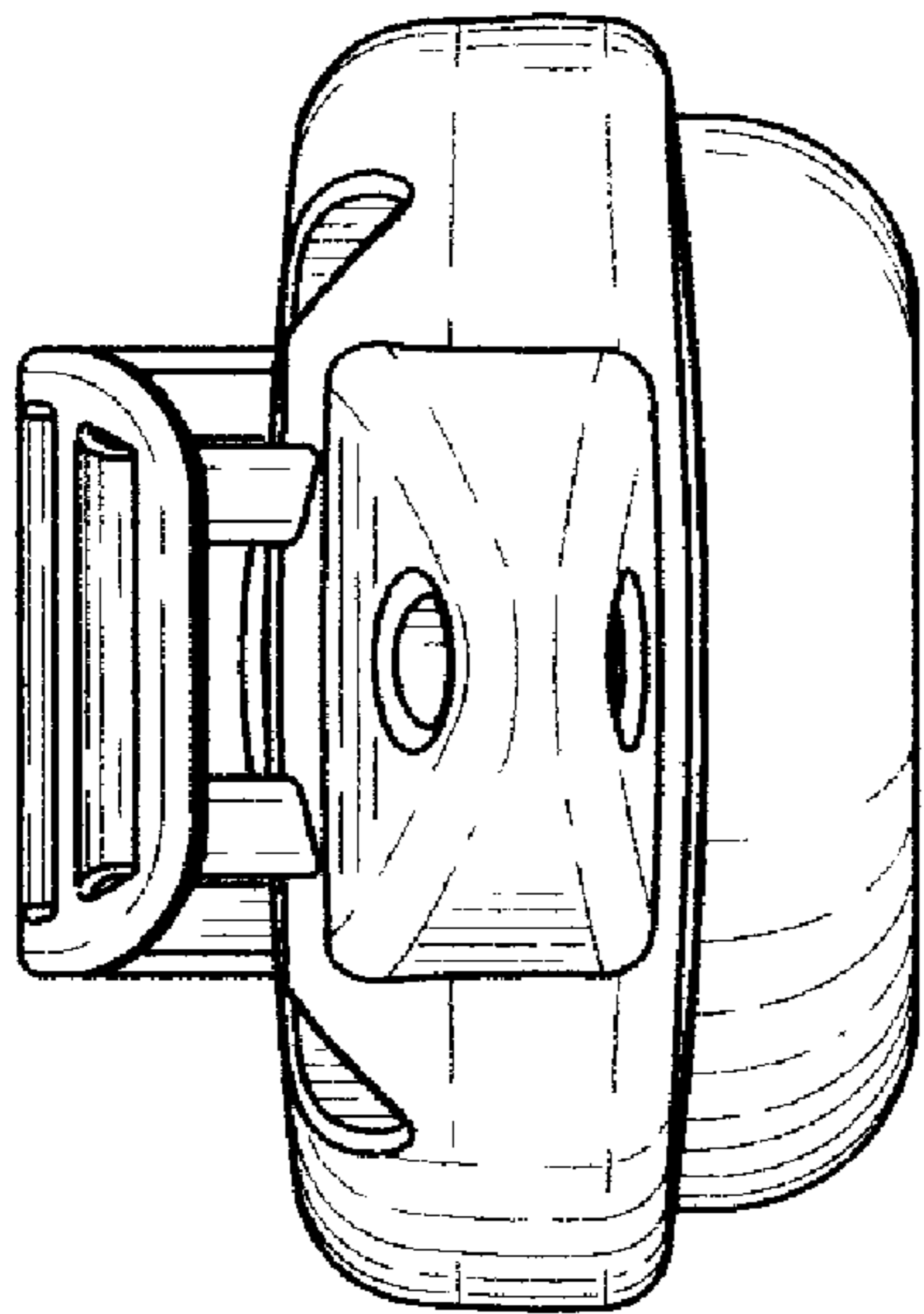


FIG. 5

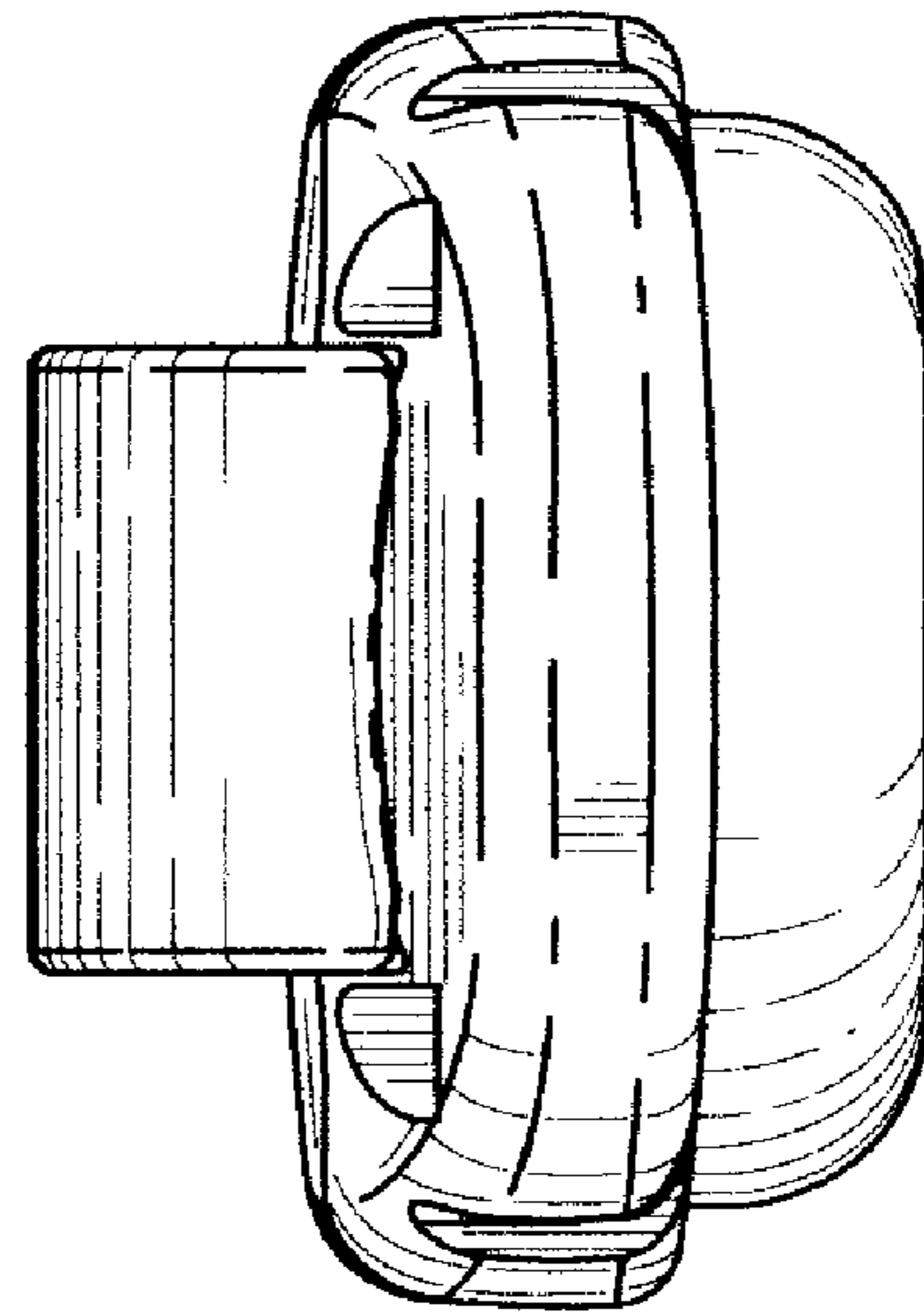


FIG. 6