



US00D544385S

(12) **United States Design Patent**
Ozawa et al.

(10) **Patent No.:** **US D544,385 S**
(45) **Date of Patent:** **** Jun. 12, 2007**

(54) **BODY COMPOSITION METER**

D497,561 S * 10/2004 Sato et al. D10/92
D497,562 S * 10/2004 Shoji et al. D10/92
D525,547 S * 7/2006 Yamada et al. D10/92

(75) Inventors: **Taichi Ozawa**, Tokyo (JP); **Takeshi Otsuka**, Tokyo (JP)

* cited by examiner

(73) Assignee: **Tanita Corporation**, Tokyo (JP)

Primary Examiner—Antoine D. Davis

(**) Term: **14 Years**

(74) *Attorney, Agent, or Firm*—McDermott Will & Emery LLP

(21) Appl. No.: **29/269,702**

(57) **CLAIM**

(22) Filed: **Dec. 7, 2006**

The ornamental design for a body composition meter, as shown and described.

(30) **Foreign Application Priority Data**

Jun. 9, 2006 (JP) 2006-014961

DESCRIPTION

(51) **LOC (8) Cl.** **10-04**

FIG. 1 is a front perspective view of the body composition meter showing the new design;

(52) **U.S. Cl.** **D10/92**

FIG. 2 is a front view of the body composition meter;

(58) **Field of Classification Search** D10/92;
177/DIG. 3, 238–245, 210 R, 210 C, 25,
177/30, 25.13–25.16, 126, 127; 600/547,
600/506

FIG. 3 is a rear view of the body composition meter;

See application file for complete search history.

FIG. 4 is a side view of the body composition meter;

FIG. 5 is another side view of the body composition meter;

(56) **References Cited**

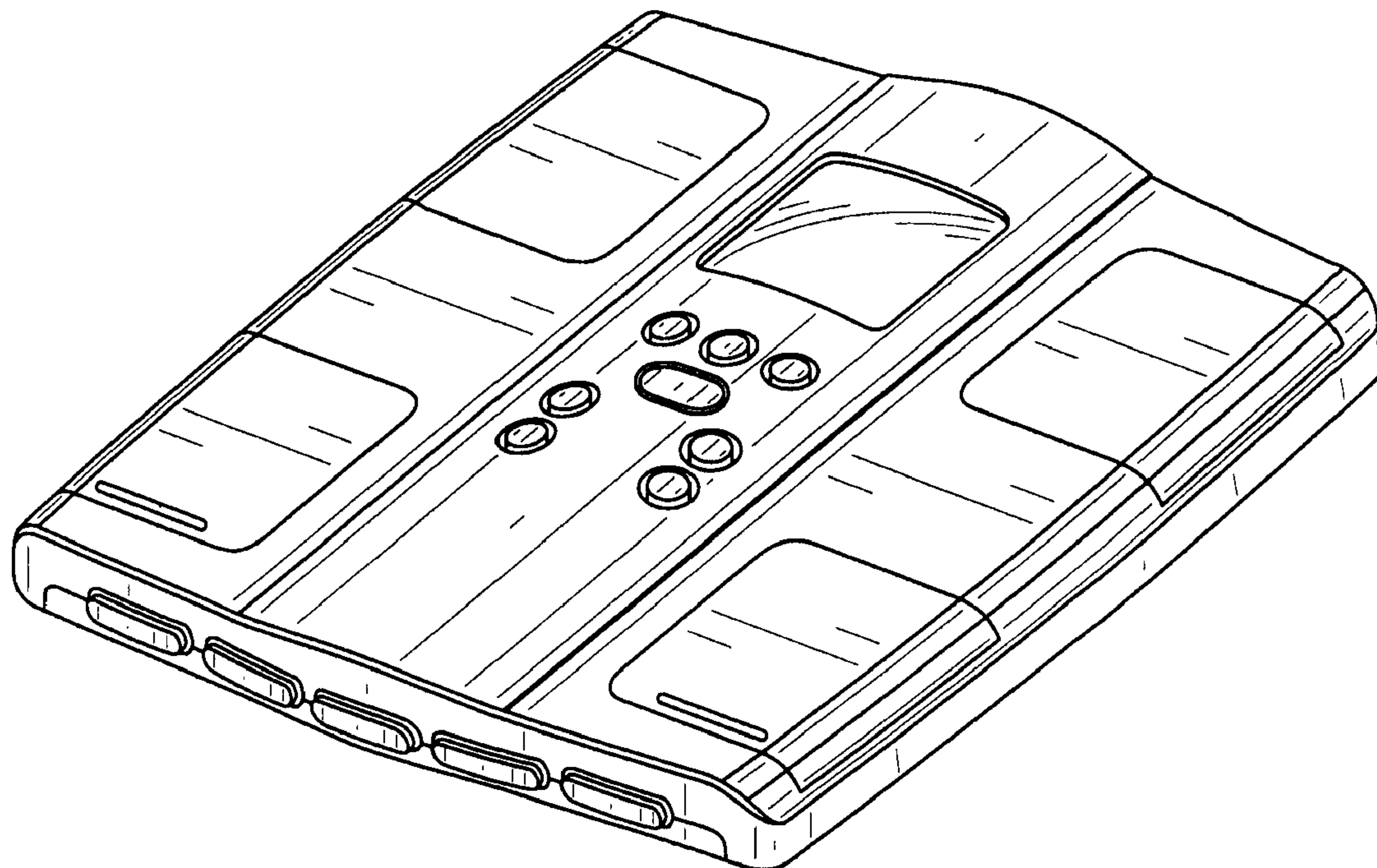
FIG. 6 is a top view of the body composition meter; and,

FIG. 7 is a bottom view of the body composition meter.

U.S. PATENT DOCUMENTS

D456,729 S * 5/2002 Montagnino et al. D10/92

1 Claim, 5 Drawing Sheets



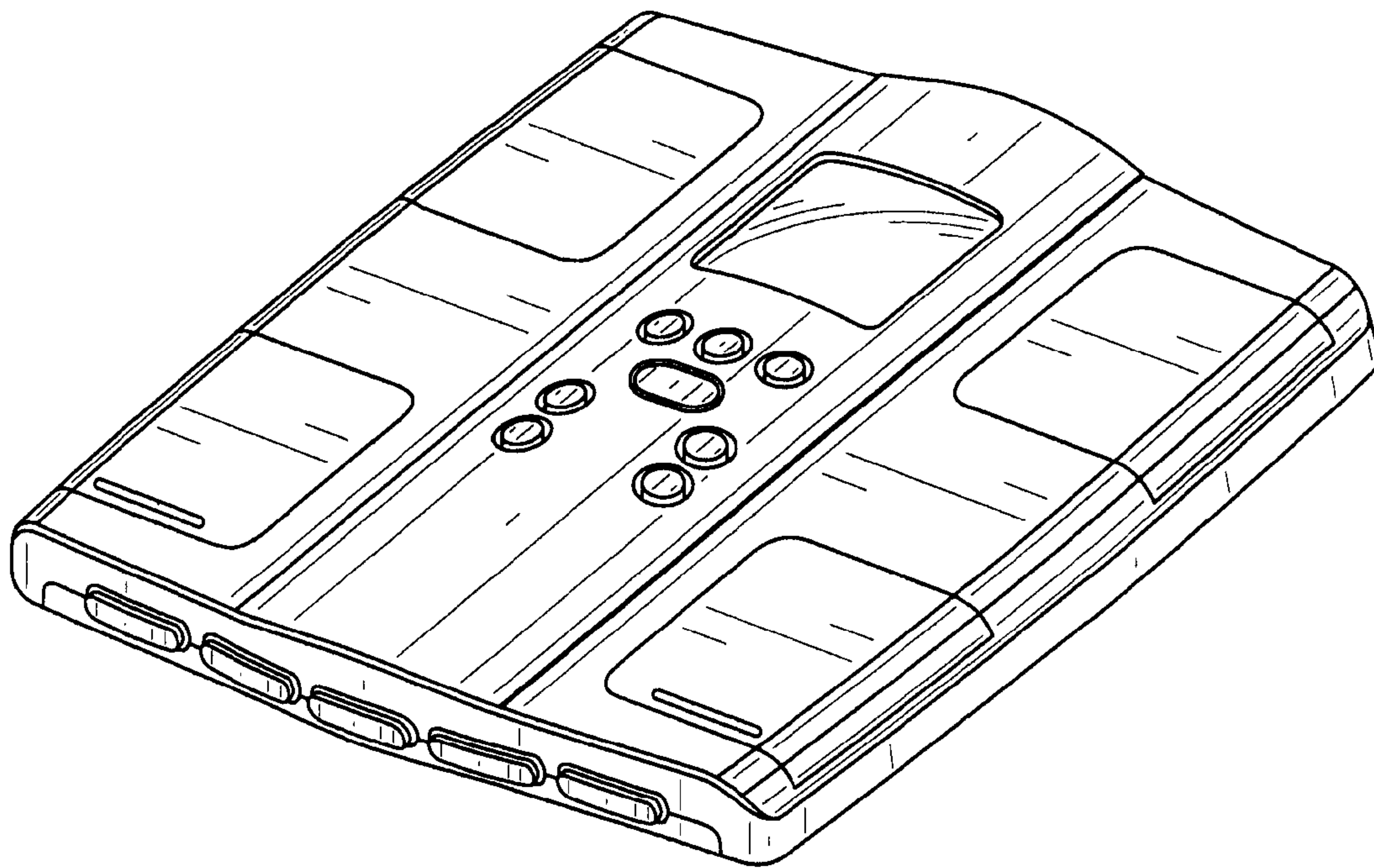


FIG. 1

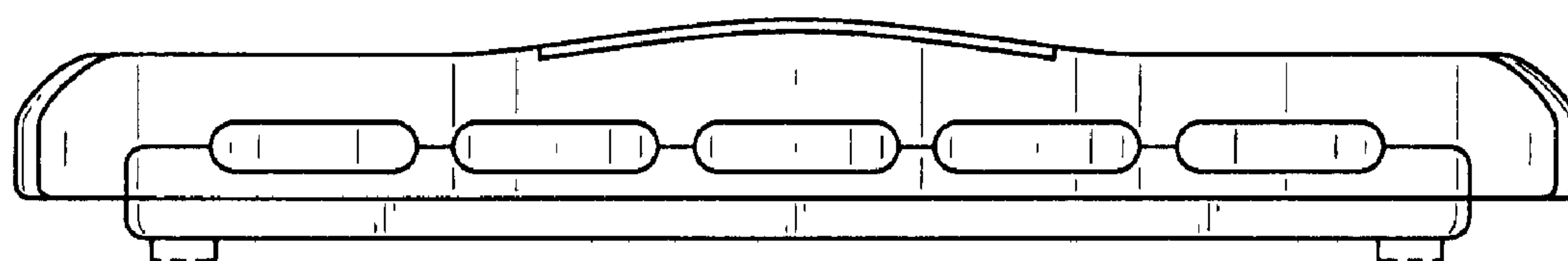


FIG. 2

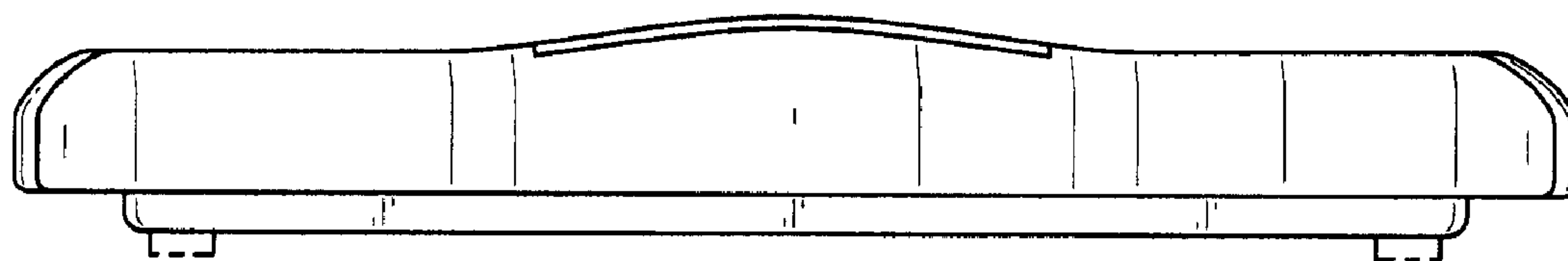


FIG. 3

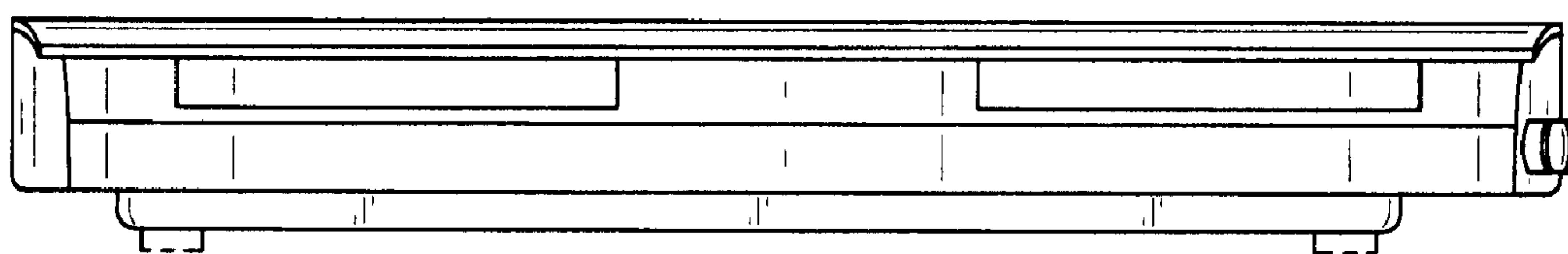


FIG. 4

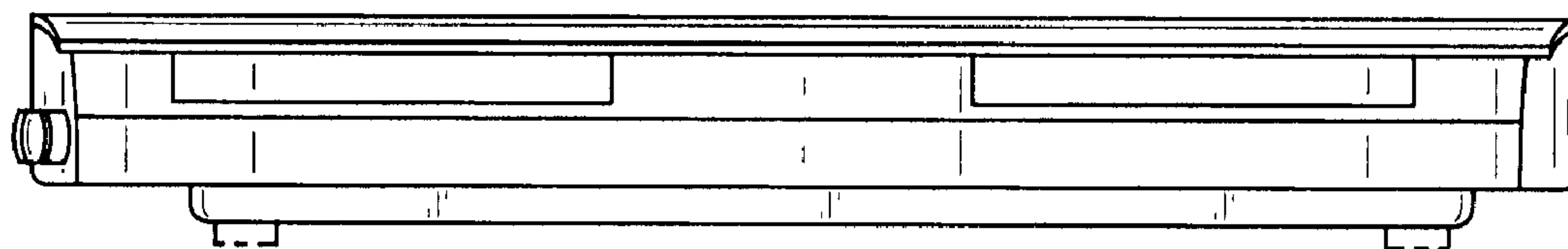


FIG. 5

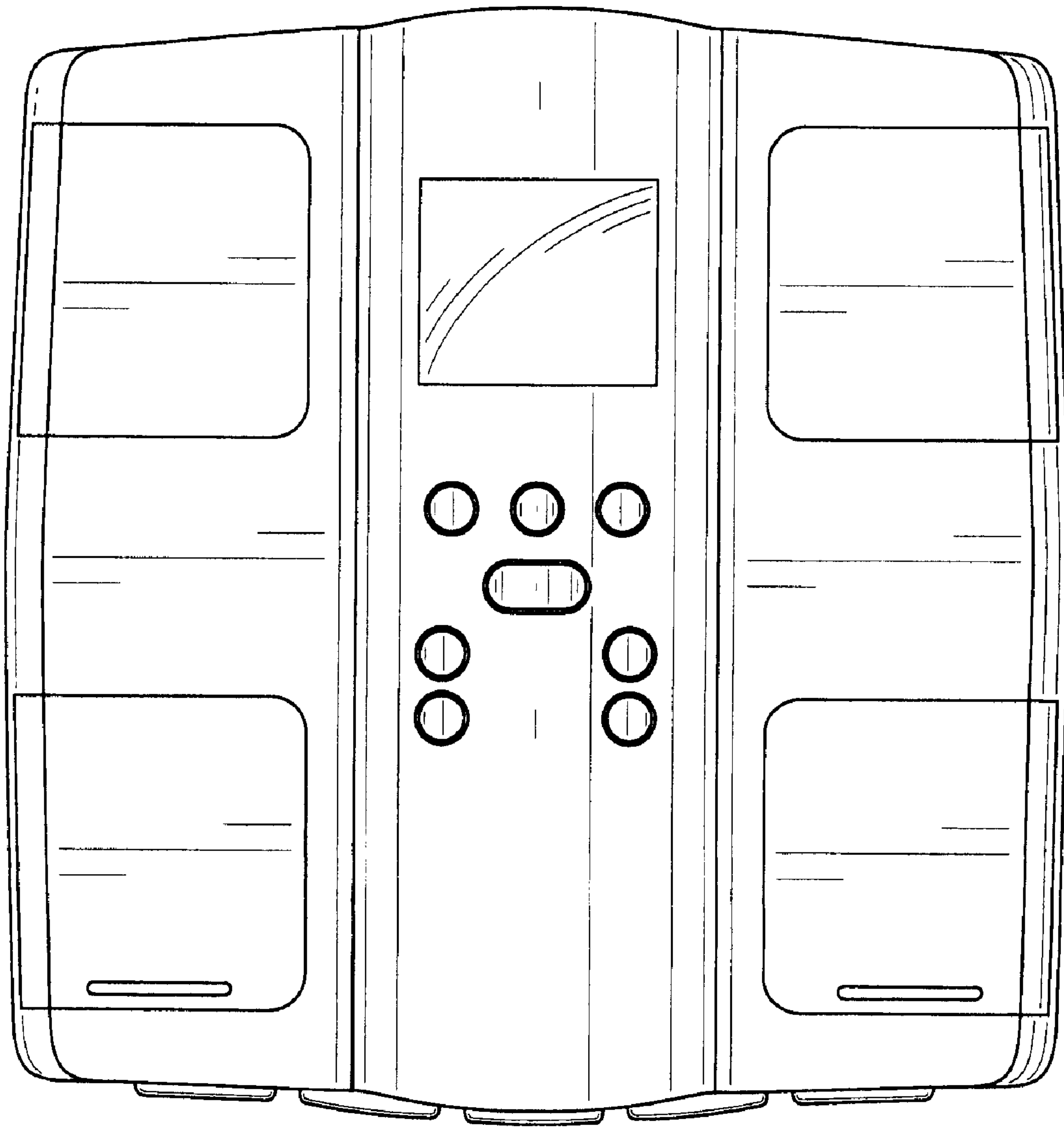


FIG. 6

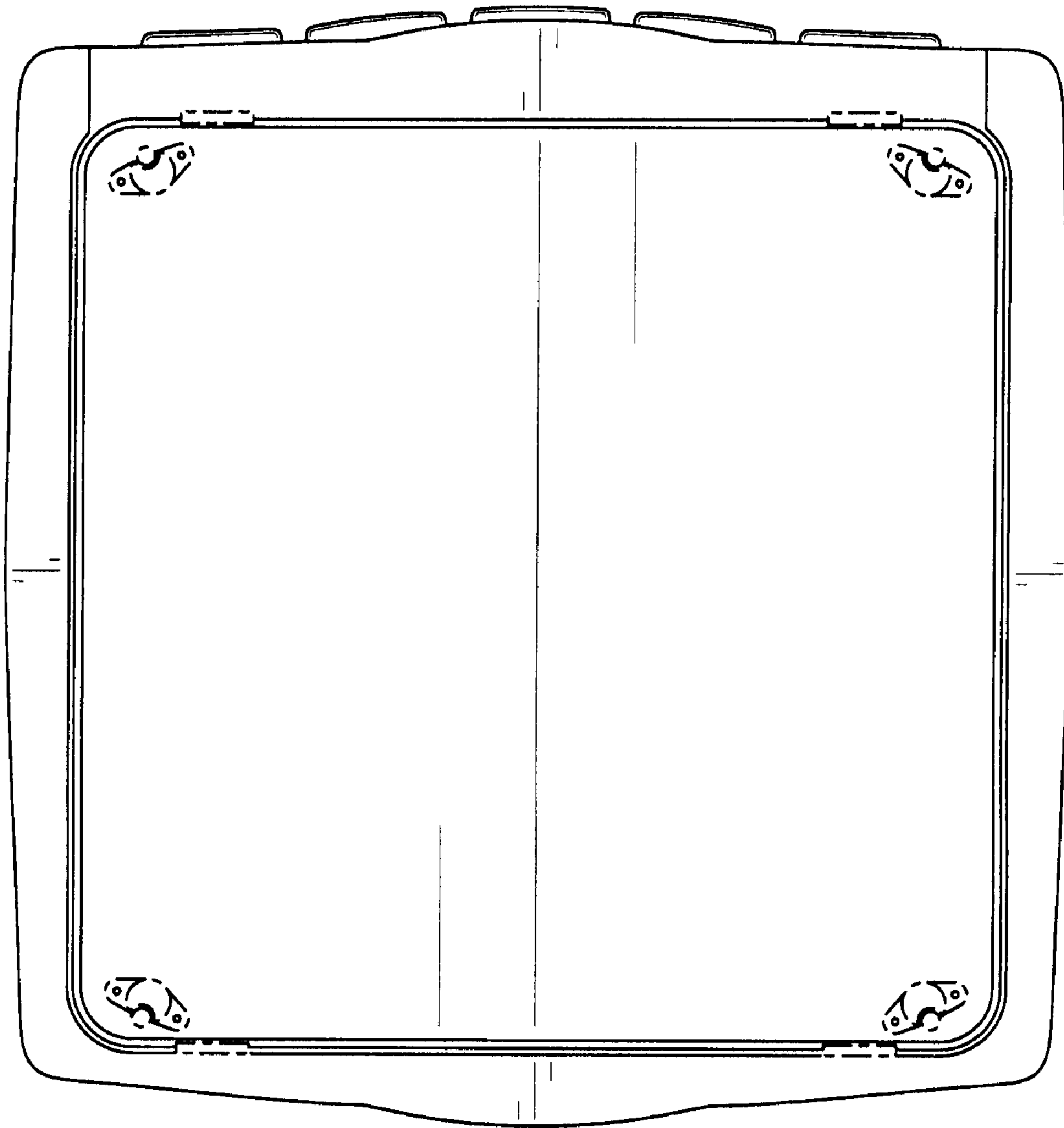


FIG. 7