



US00D544384S

(12) **United States Design Patent**  
**Koike et al.**

(10) **Patent No.:** **US D544,384 S**  
(45) **Date of Patent:** **\*\* Jun. 12, 2007**

(54) **BODYFAT ANALYZER WITH SCALE**

(75) Inventors: **Tadashi Koike**, Kyoto (JP); **Takashi Shigeno**, Kanagawa (JP); **Jiazheng Jin**, Kyoto (JP); **Tameo Ashida**, Osaka (JP); **Kuniyoshi Takahashi**, Shiga (JP)

(73) Assignee: **Omron Healthcare Co., Ltd.**, Kyoto (JP)

(\*\*) Term: **14 Years**

(21) Appl. No.: **29/262,581**

(22) Filed: **Jul. 7, 2006**

(30) **Foreign Application Priority Data**

Jan. 10, 2006 (JP) ..... D2006-000248

(51) **LOC (8) Cl.** ..... **10-04**

(52) **U.S. Cl.** ..... **D10/92**

(58) **Field of Classification Search** ..... D10/87-95;  
177/4, 25.12-25.16, 177, 199, 210 R, 238-245,  
177/DIG. 3, 262, 210 C, 30, 126-127; 324/692,  
324/512, 515, 806; 600/506, 547  
See application file for complete search history.

(56) **References Cited**

**U.S. PATENT DOCUMENTS**

D503,899 S \* 4/2005 Yamada et al. .... D10/92

D520,893 S \* 5/2006 Sato ..... D10/94  
D524,672 S \* 7/2006 Yamada et al. .... D10/92  
D525,547 S \* 7/2006 Yamada et al. .... D10/92  
D531,534 S \* 11/2006 Motomizu et al. .... D10/92  
D531,535 S \* 11/2006 Yamada et al. .... D10/92  
D532,329 S \* 11/2006 Yamada et al. .... D10/92

\* cited by examiner

*Primary Examiner*—Antoine D. Davis

(74) *Attorney, Agent, or Firm*—Harness, Dickey & Pierce, P.L.C.

(57) **CLAIM**

The ornamental design for a bodyfat analyzer with scale, as shown and described.

**DESCRIPTION**

FIG. 1 is a front perspective view of the bodyfat analyzer with scale showing our new design;

FIG. 2 is a rear perspective view thereof;

FIG. 3 is a front elevational view thereof;

FIG. 4 is a rear elevational view thereof;

FIG. 5 is a top plan view thereof;

FIG. 6 is a bottom plan view thereof; and,

FIG. 7 is a right side elevational view thereof, the left side elevational view being a mirror image thereof.

**1 Claim, 7 Drawing Sheets**

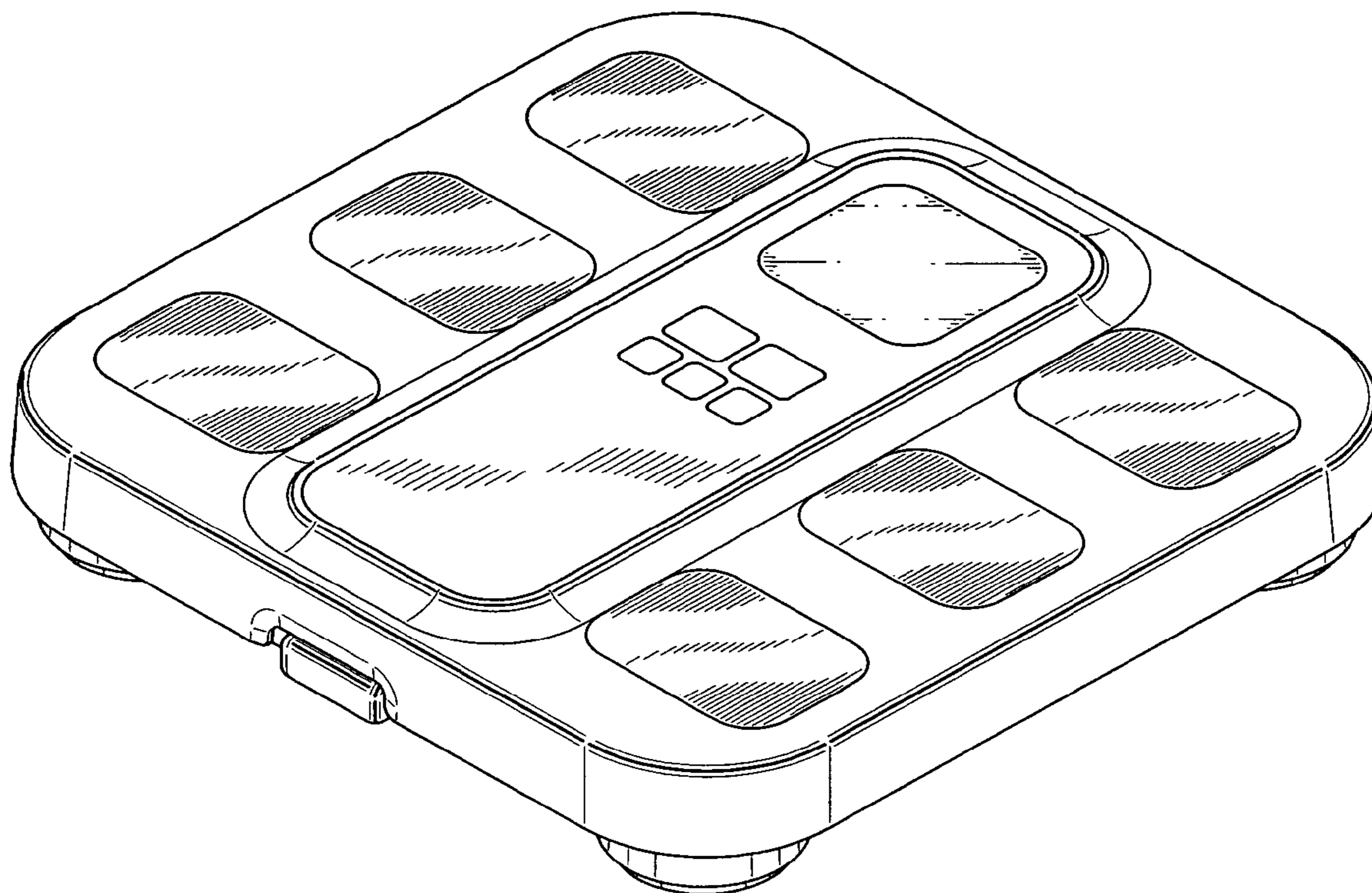


Fig. 1

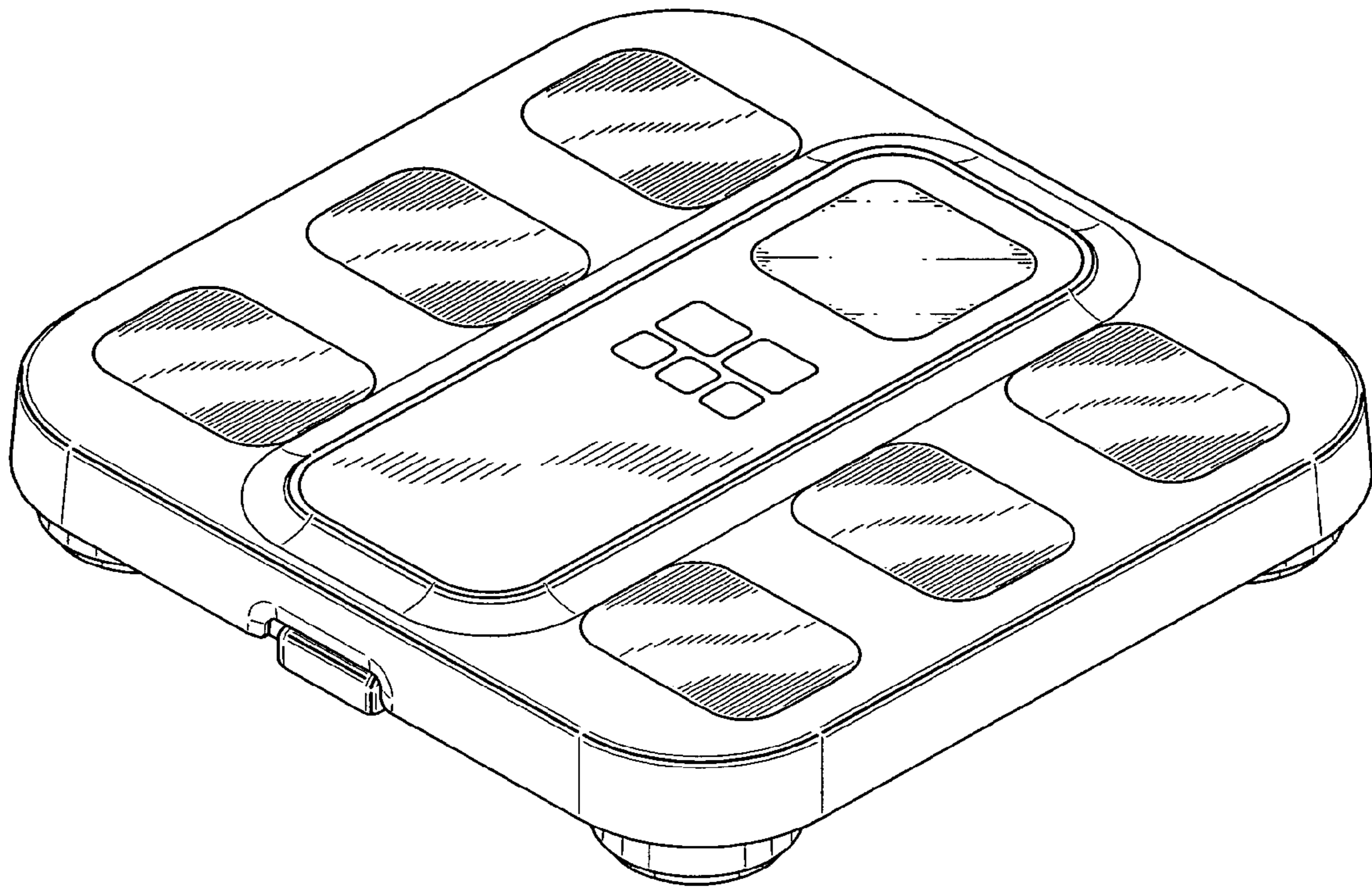


Fig. 2

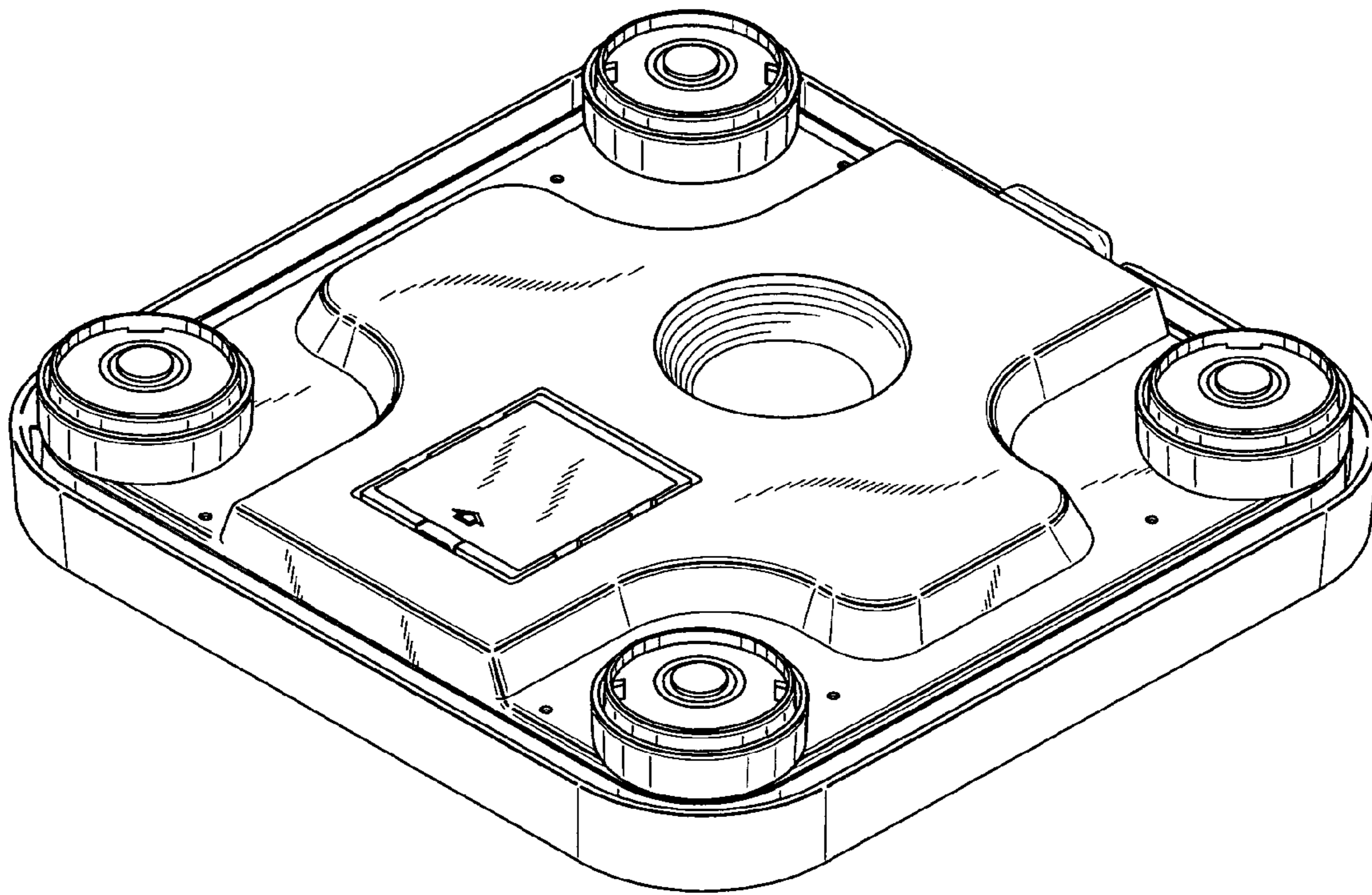


Fig. 3

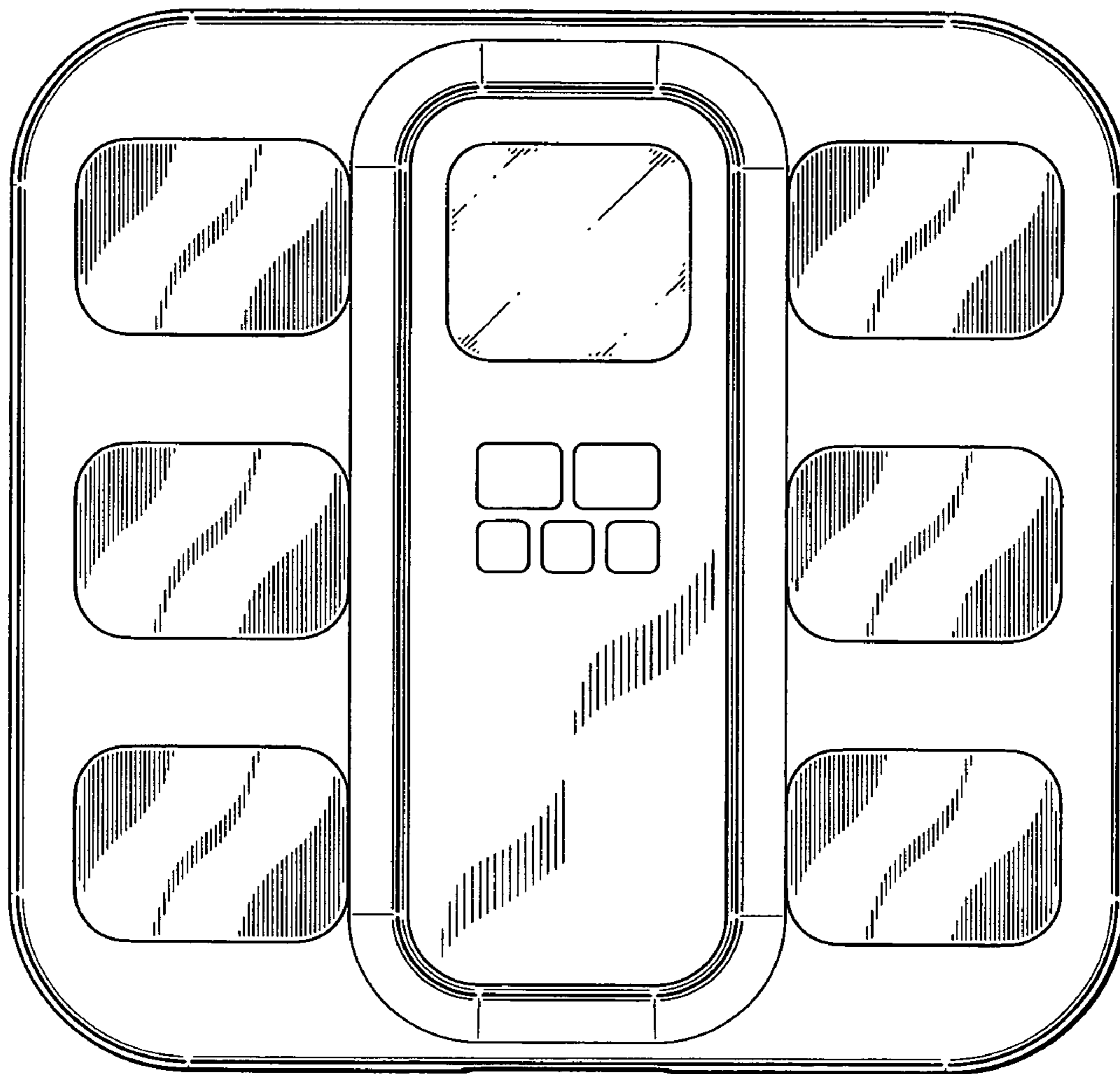


Fig. 4

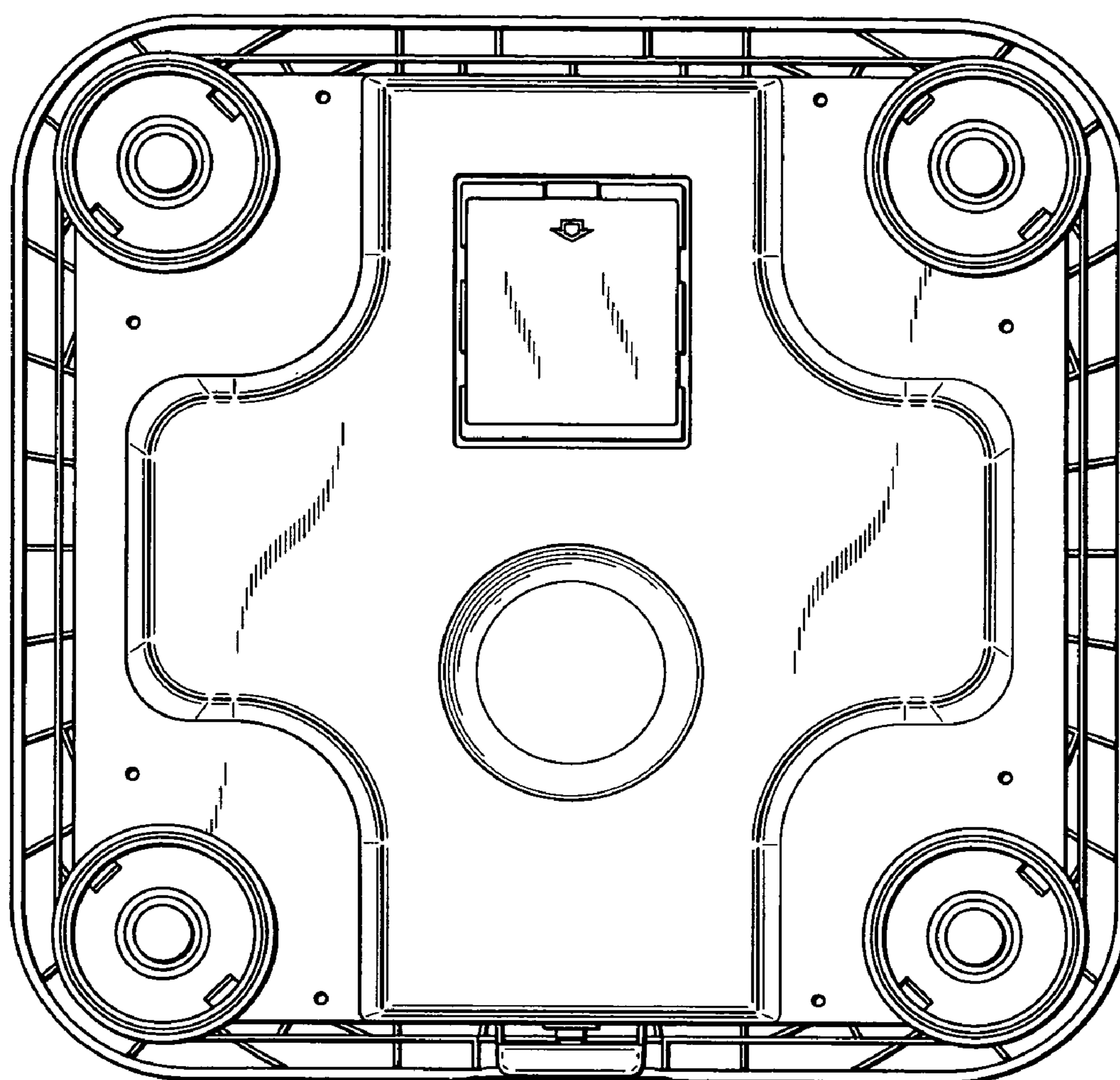


Fig. 5



Fig. 6

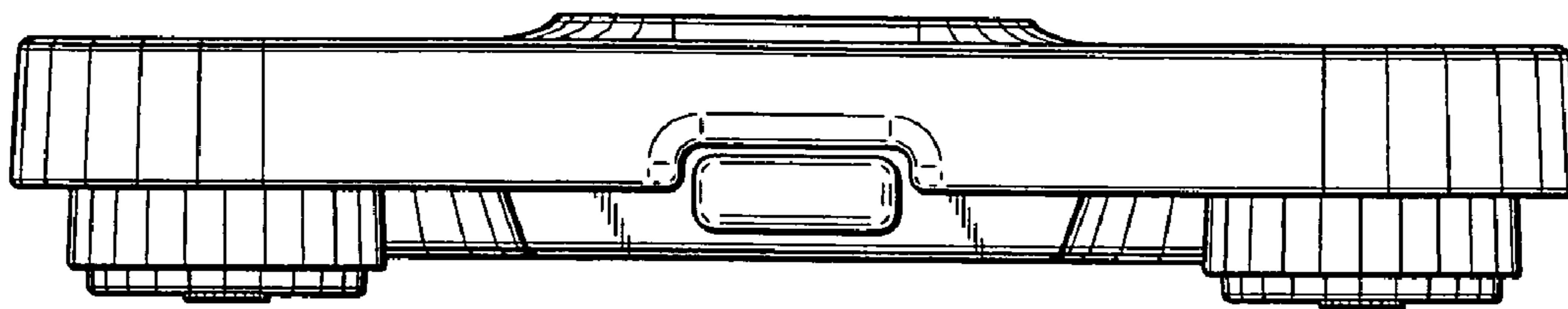


Fig. 7

