



US00D544382S

(12) **United States Design Patent** (10) **Patent No.:** **US D544,382 S**  
**Bowers** (45) **Date of Patent:** **\*\* Jun. 12, 2007**

(54) **CARPENTERS SQUARE WITH RIGHT ANGLE LEVEL**

*Primary Examiner*—Antoine D. Davis

(74) *Attorney, Agent, or Firm*—Theresa M. Seal

(76) **Inventor:** **Brian C. Bowers**, 31 Schiverea Ave., Freehold, NJ (US) 07728

(57) **CLAIM**

The ornamental design for a carpenters square with right angle level, as shown and described.

(\*\*) **Term:** **14 Years**

**DESCRIPTION**

(21) **Appl. No.:** **29/228,694**

FIG. 1 is a perspective view of the carpenters square with right angle level, in accordance with the invention;

(22) **Filed:** **Apr. 28, 2005**

FIG. 2 is a perspective view of the left side, the right side being eliminated for ease of illustration thereof;

(51) **LOC (8) Cl.** ..... **10-04**

FIG. 3 is a perspective view of the right side, the left side being eliminated for ease of illustration thereof;

(52) **U.S. Cl.** ..... **D10/69**

FIG. 4 is a side elevational view thereof, the other side being a mirror image thereof.

(58) **Field of Classification Search** ..... D10/69;  
33/360–390, 374, 451, 465, 478

See application file for complete search history.

FIG. 5 is an elevation front view thereof;

(56) **References Cited**

**U.S. PATENT DOCUMENTS**

FIG. 6 is an elevation front rear thereof;

3,826,013 A 7/1974 Baher

FIG. 7 is a top plan view thereof;

4,531,301 A 7/1985 Tau

FIG. 8 is a top plan view of the left side, the right side being eliminated for ease of illustration thereof; and,

D336,254 S 6/1993 Bedell et al.

FIG. 9 is a top plan view of the right side, the left side being eliminated for ease of illustration thereof.

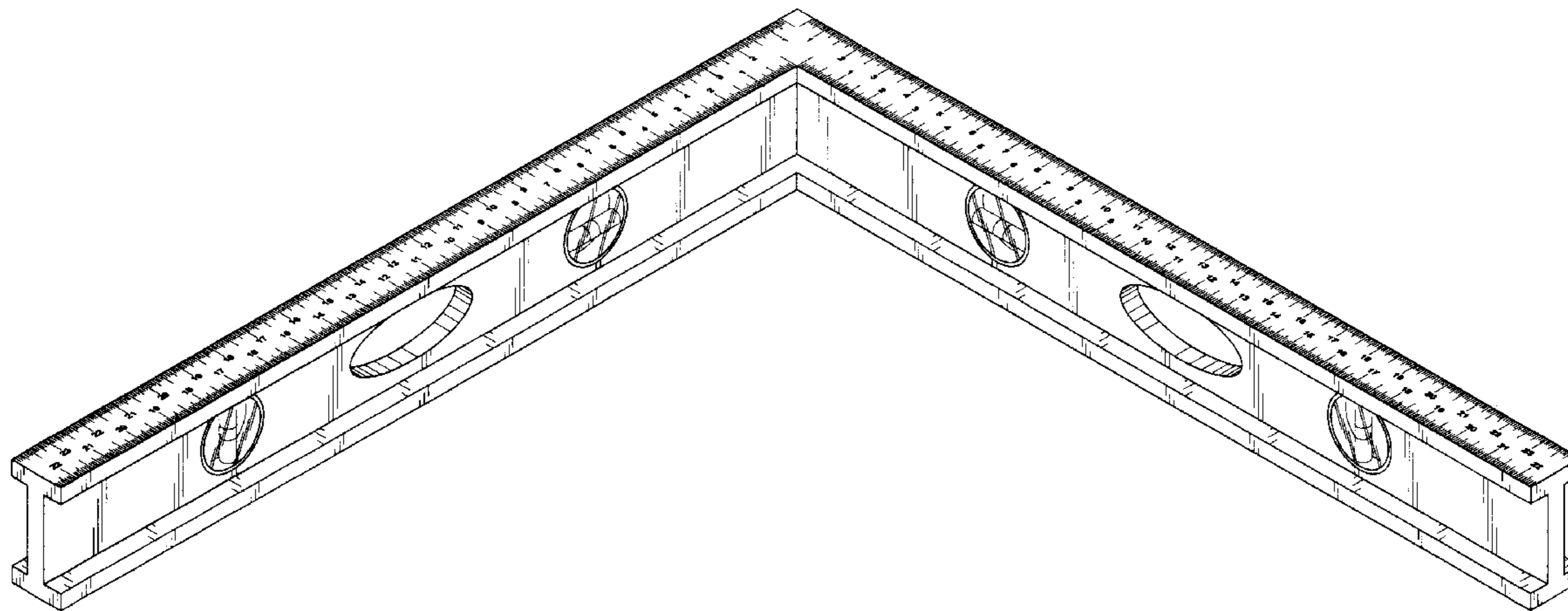
D356,047 S 3/1995 Owens et al.

D500,691 S \* 1/2005 Fesmire ..... D10/69

2001/0049879 A1 \* 12/2001 Moore, Jr. .... 33/376

\* cited by examiner

**1 Claim, 6 Drawing Sheets**



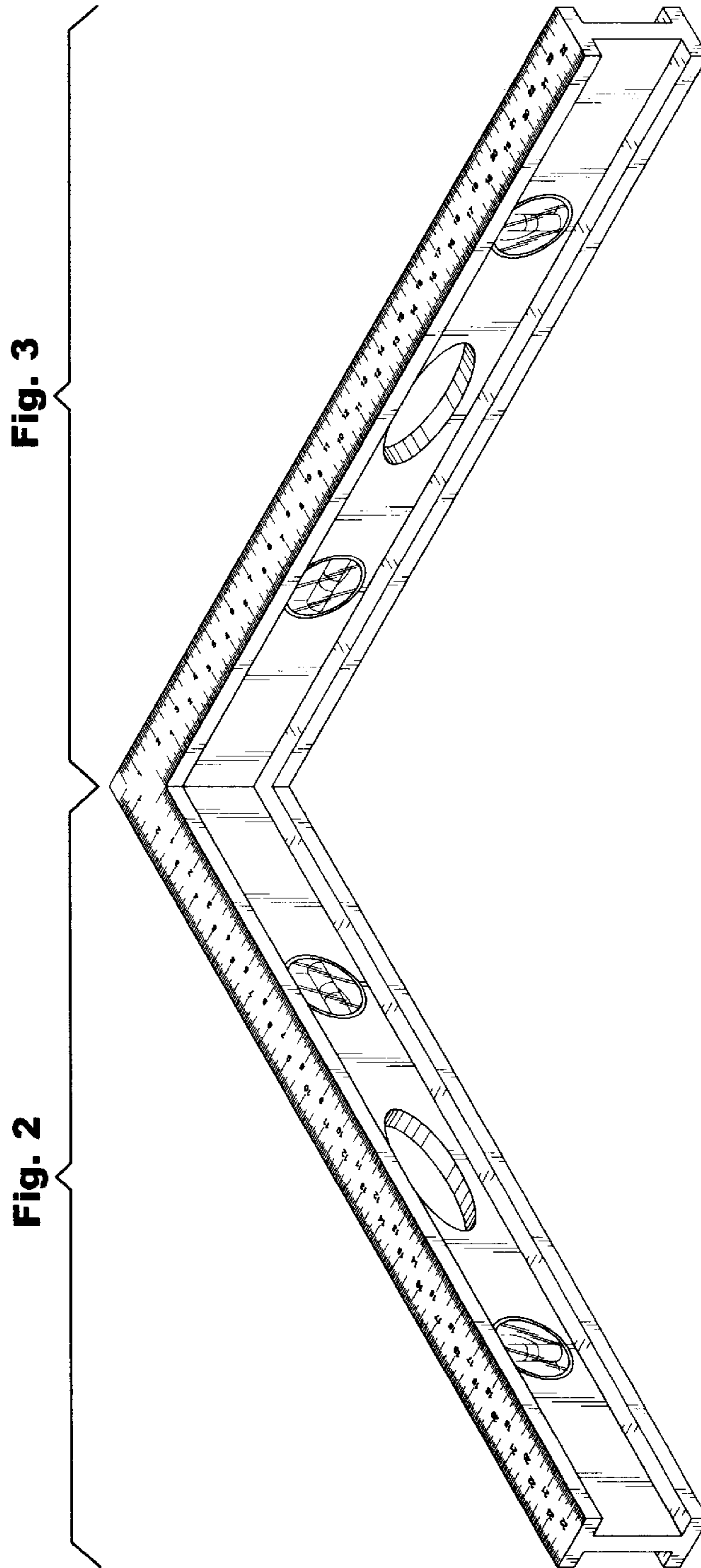


Fig. 3

Fig. 2

Fig. 1

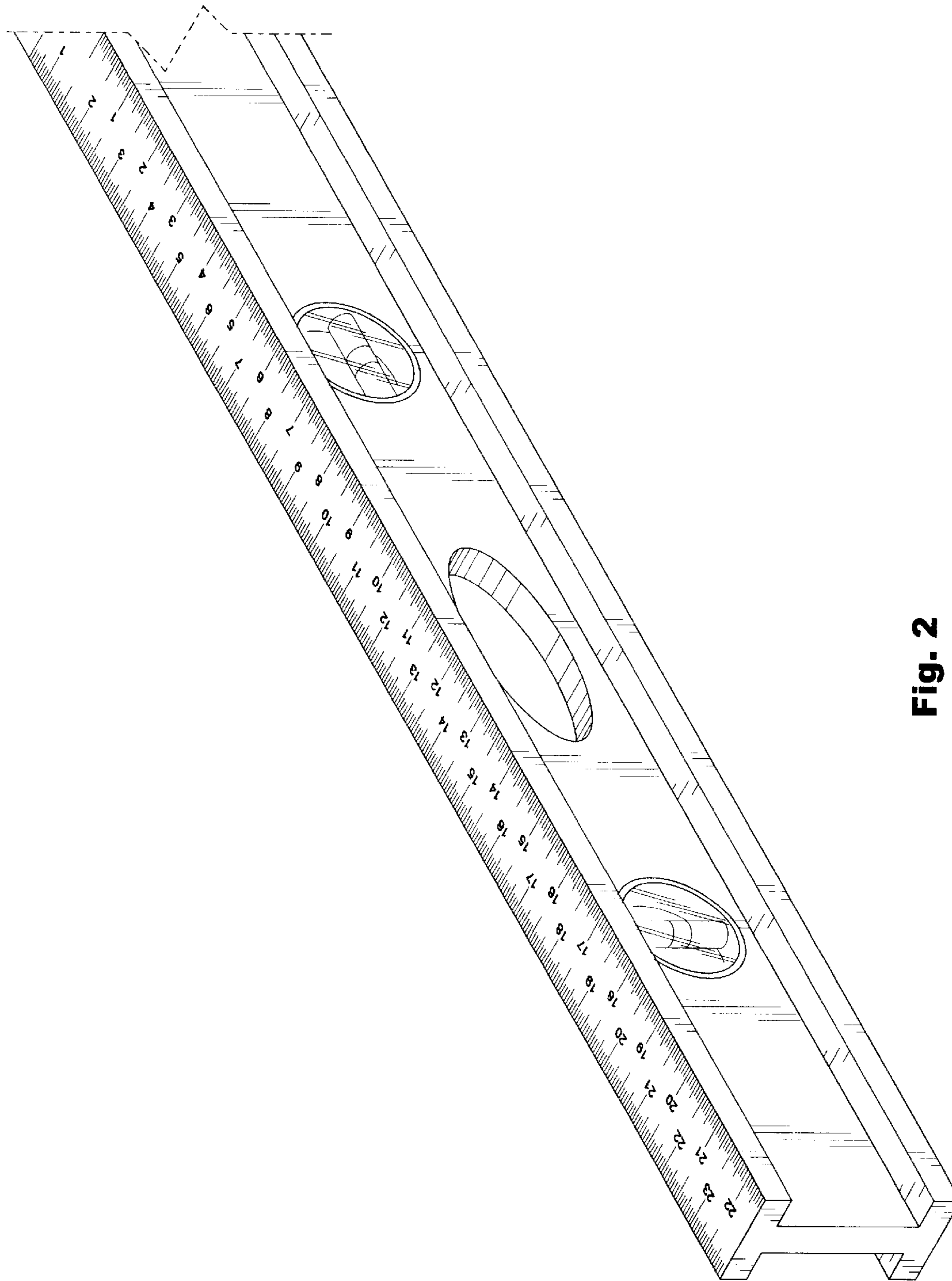
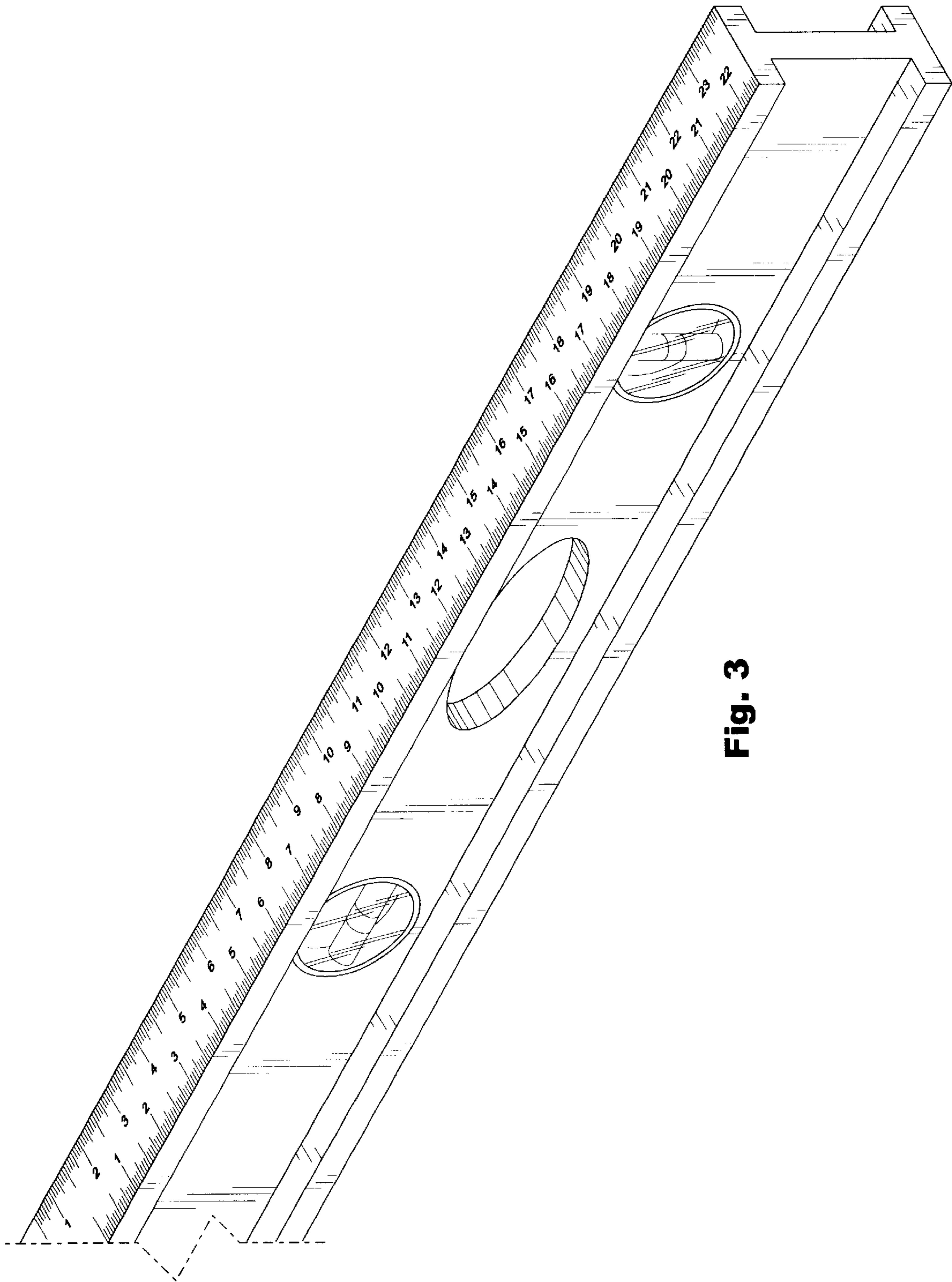
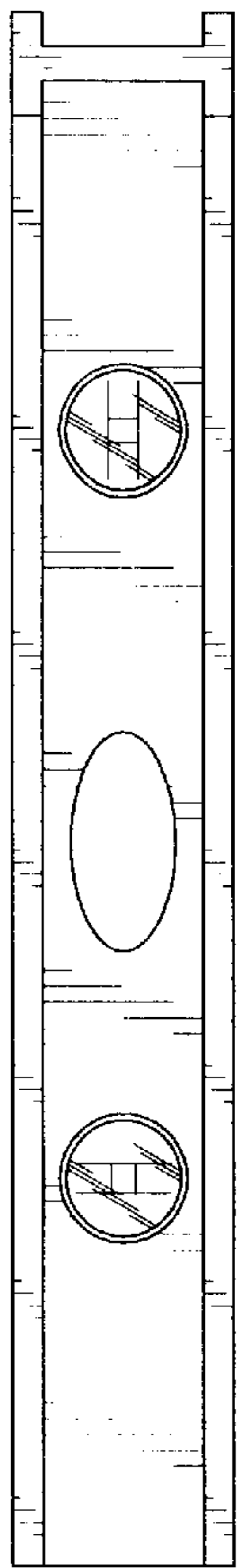


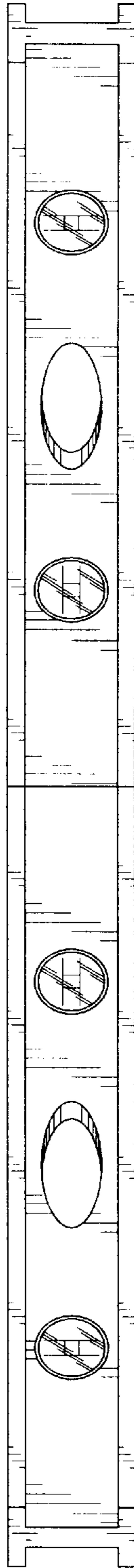
Fig. 2



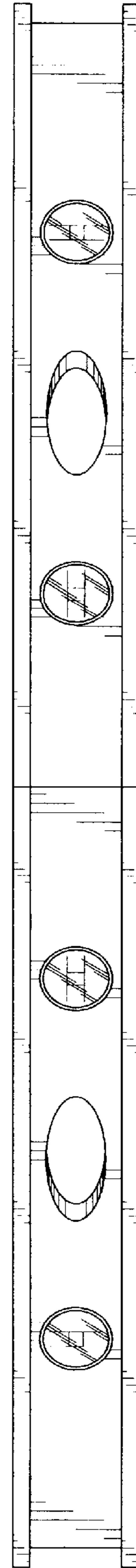
**Fig. 3**



**Fig. 4**

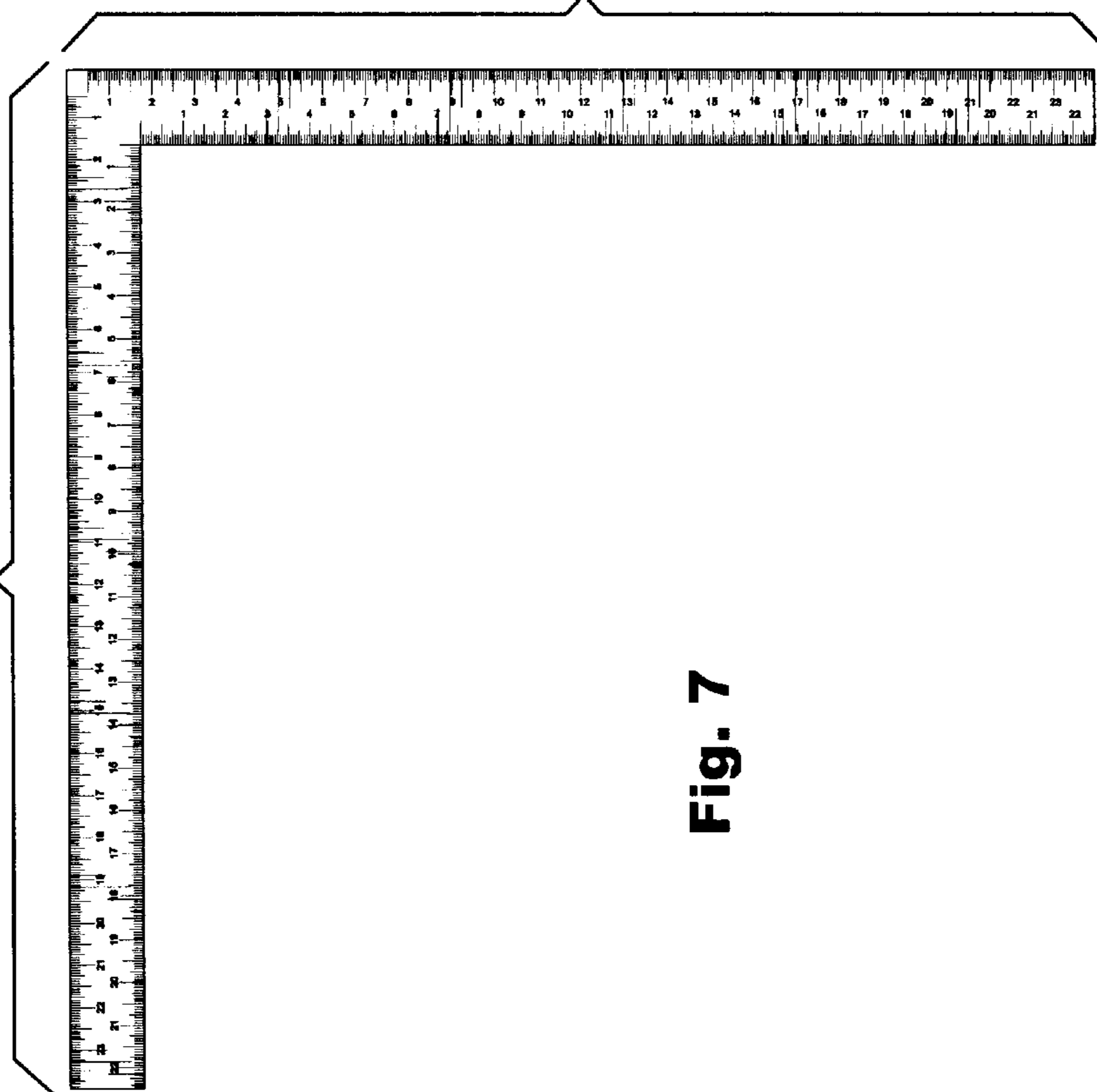


**Fig. 5**



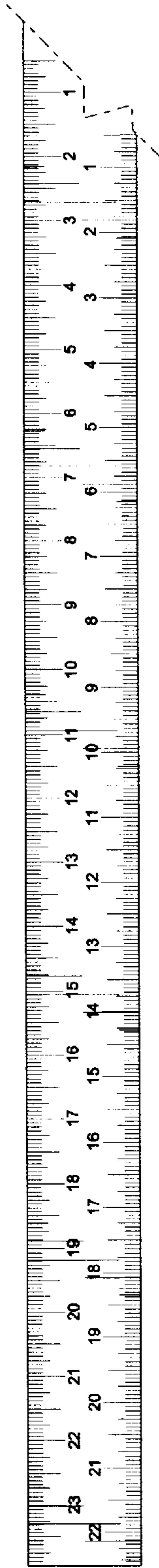
**Fig. 6**

**Fig. 8**

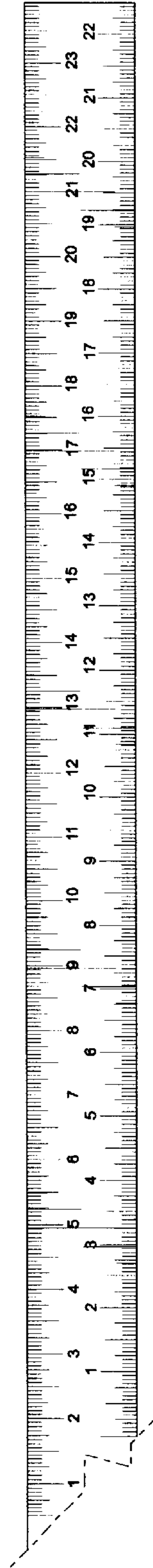


**Fig. 9**

**Fig. 7**



**Fig. 8**



**Fig. 9**