

US00D544372S

(12) **United States Design Patent**
Seyr et al.

(10) **Patent No.:** **US D544,372 S**
(45) **Date of Patent:** **** Jun. 12, 2007**

(54) **COMBINED WATCH CASE AND BAND**

(75) Inventors: **Ernst F. Seyr**, Bettlach (CH); **Stéphane Lauber**, Tramelan (CH)

(73) Assignee: **Eterna SA Fabrique d'Horlogerie**, Grenchen (CH)

(**) Term: **14 Years**

(21) Appl. No.: **29/228,136**

(22) Filed: **Apr. 20, 2005**

(30) **Foreign Application Priority Data**

Dec. 17, 2004 (CH) 131419

(51) **LOC (8) Cl.** **10-02**

(52) **U.S. Cl.** **D10/32**

(58) **Field of Classification Search** D10/30-39,
D10/122-132; 368/276-278, 281-283, 285,
368/228, 232, 223, 28; 224/164; D11/3;
63/3, 3.1

See application file for complete search history.

(56) **References Cited**

U.S. PATENT DOCUMENTS

1,165,262	A *	12/1915	Jolly	224/169
D157,606	S *	3/1950	Lachman	D10/38
D157,607	S *	3/1950	Lachman	D10/38
3,162,007	A *	12/1964	Parmentier	368/281
D243,318	S *	2/1977	Kurihara	D10/32
4,183,206	A *	1/1980	Porsche et al.	368/14
D257,005	S *	9/1980	Ruth	D10/38

4,748,604	A *	5/1988	Lambert	368/282
D352,469	S *	11/1994	Schlup	D10/39
D364,570	S *	11/1995	Nanayakkara	D10/31
D386,094	S *	11/1997	Ventrella	D10/30
D413,530	S *	9/1999	Flury et al.	D10/32
D424,451	S *	5/2000	Houlihan	D10/30
6,130,861	A *	10/2000	Della Felice	368/276
D457,816	S *	5/2002	Guye	D10/32
D459,241	S *	6/2002	Bodino	D10/32
6,567,345	B1 *	5/2003	Furukawa et al.	368/80

FOREIGN PATENT DOCUMENTS

EP 1669816 A1 * 6/2006

* cited by examiner

Primary Examiner—Lucy Lieberman

(74) *Attorney, Agent, or Firm*—Collen IP; Donald J. Ranft

(57) **CLAIM**

The ornamental design for a combined watch case and band, as shown and described.

DESCRIPTION

FIG. 1 is a bottom, front and right side perspective view of a combined watch case and band showing my new design;

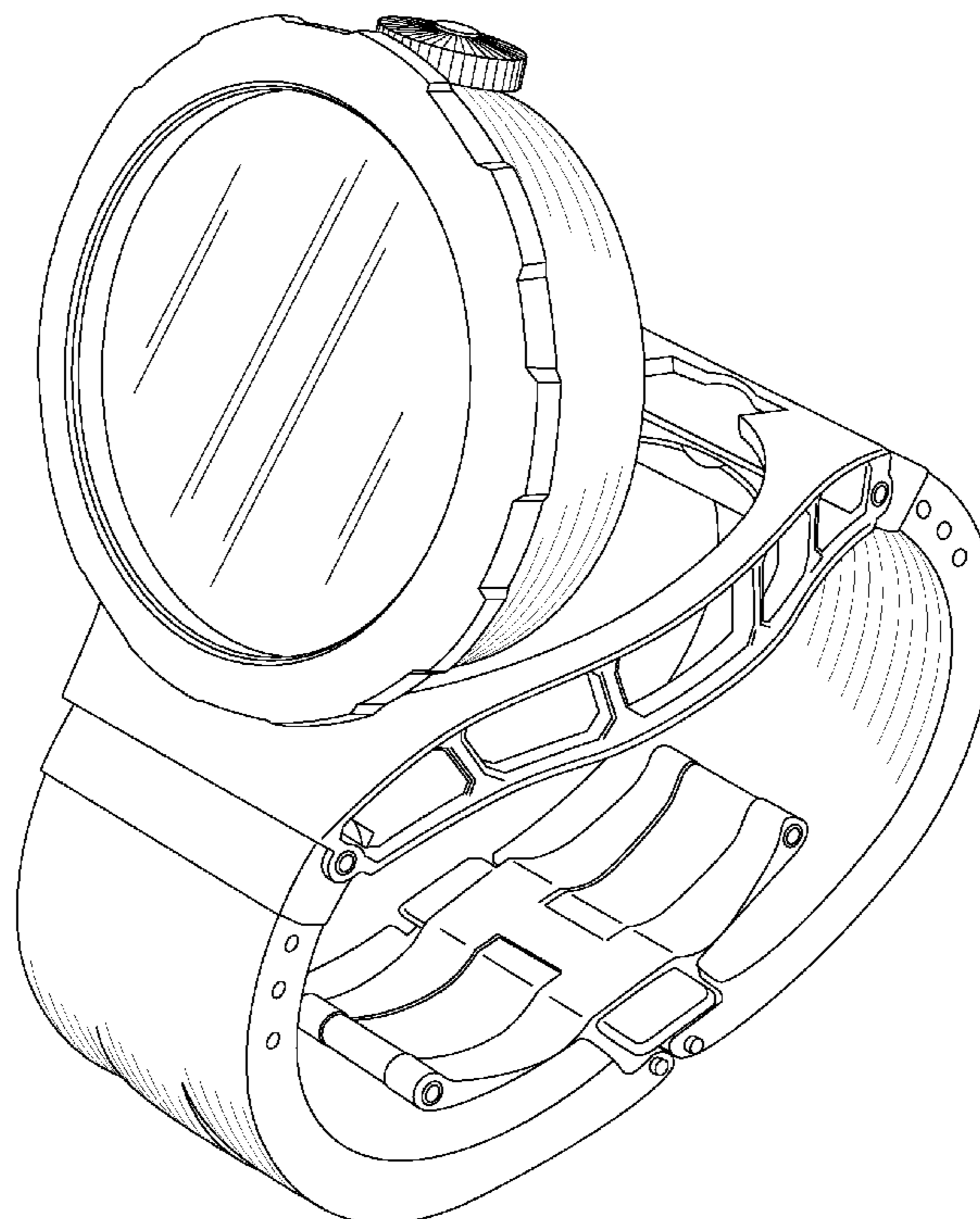
FIG. 2 is a top and left side perspective view thereof;

FIG. 3 is a top and left side perspective view with the watch shown in an alternate position;

FIG. 4 is a left side elevation of FIG. 3; and,

FIG. 5 is a front elevation of FIG. 3.

1 Claim, 5 Drawing Sheets



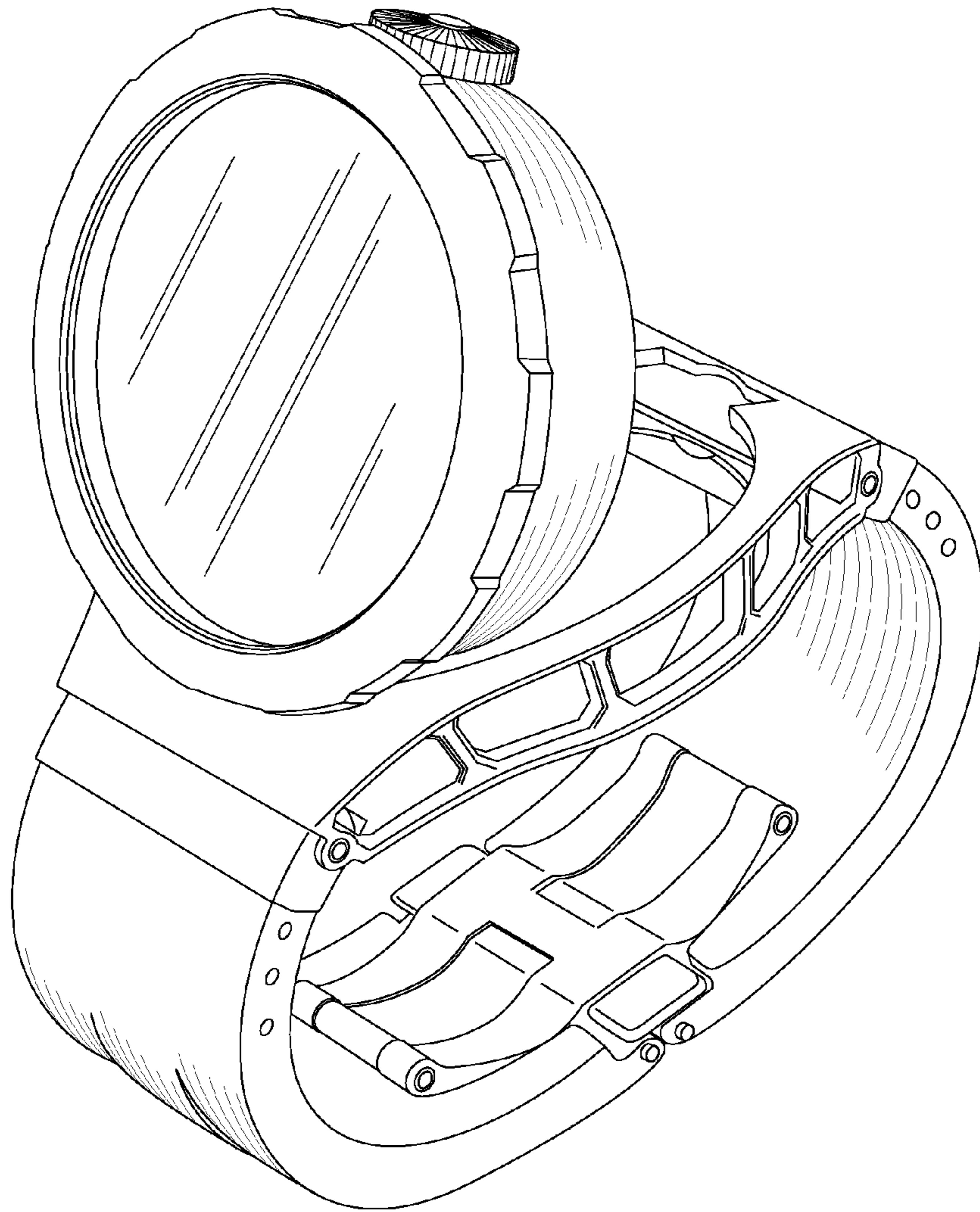


Fig. 1

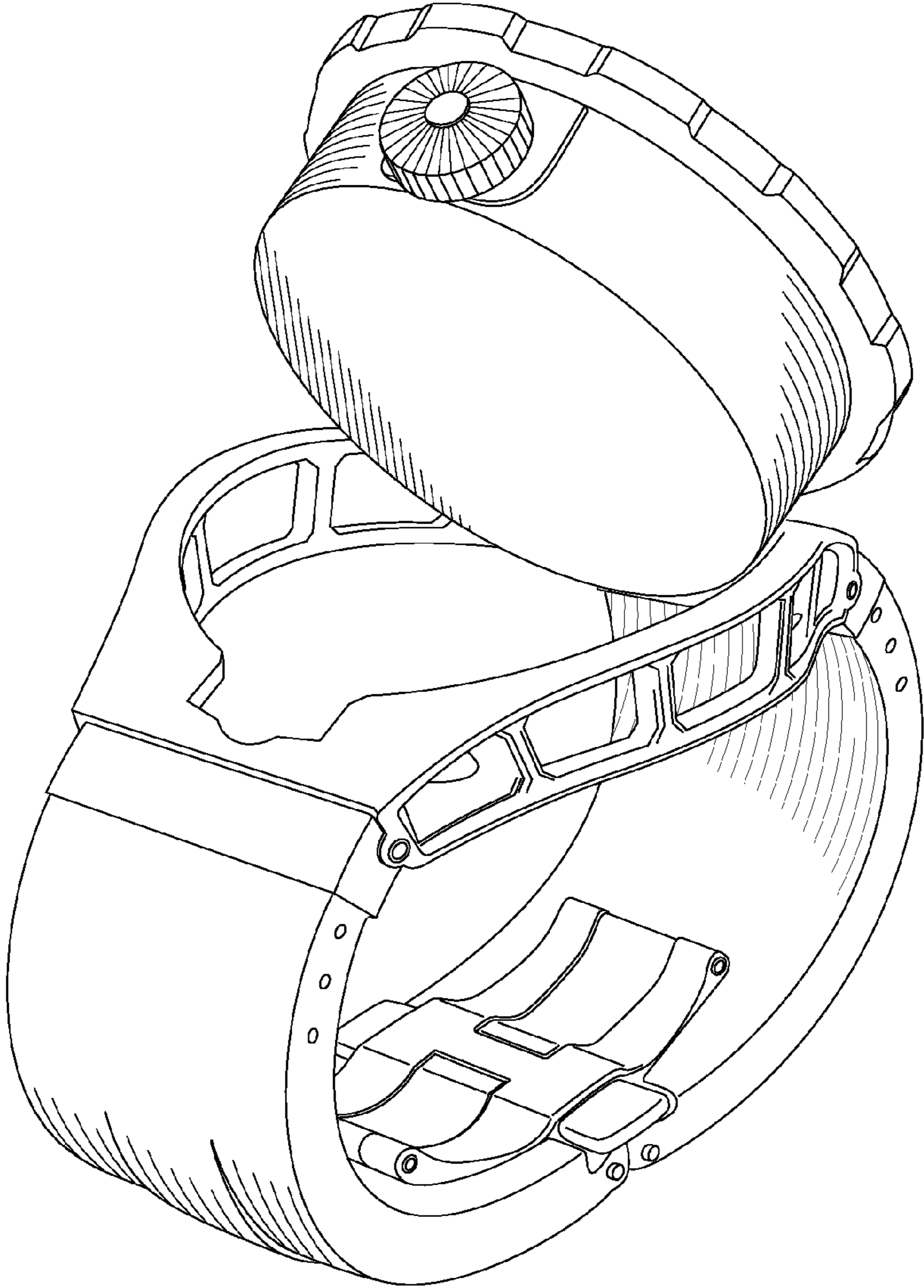


Fig. 2

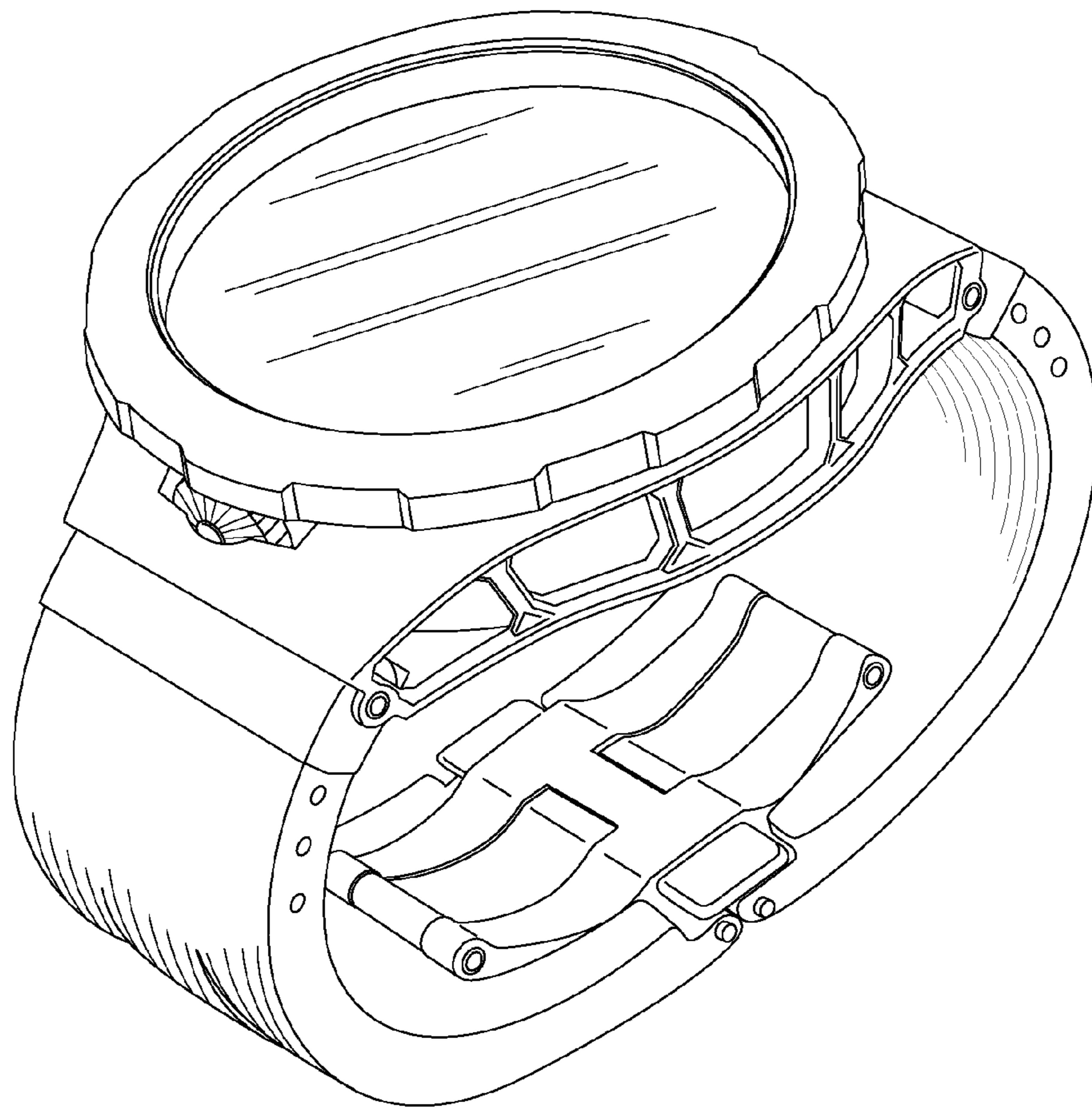


Fig. 3

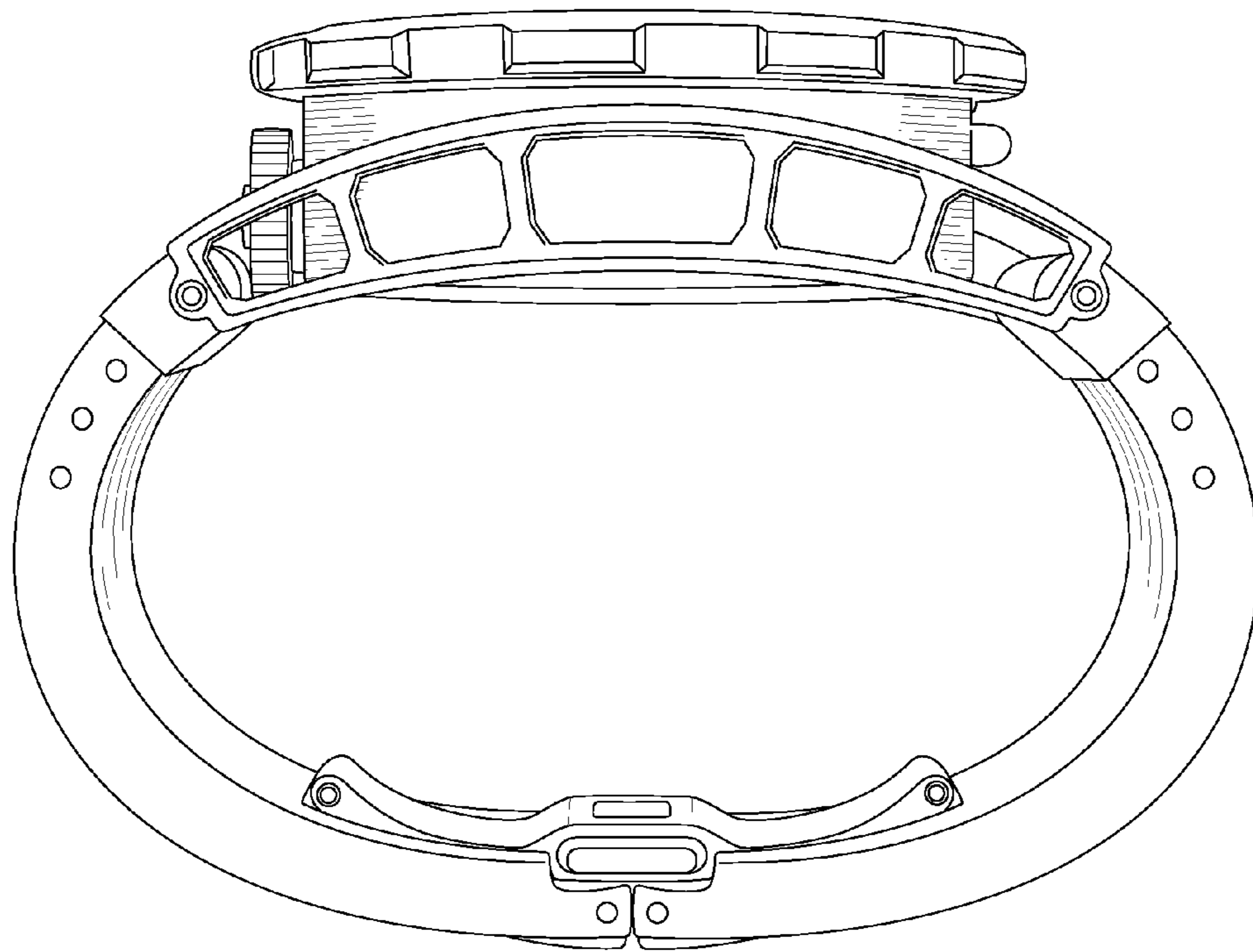


Fig. 4

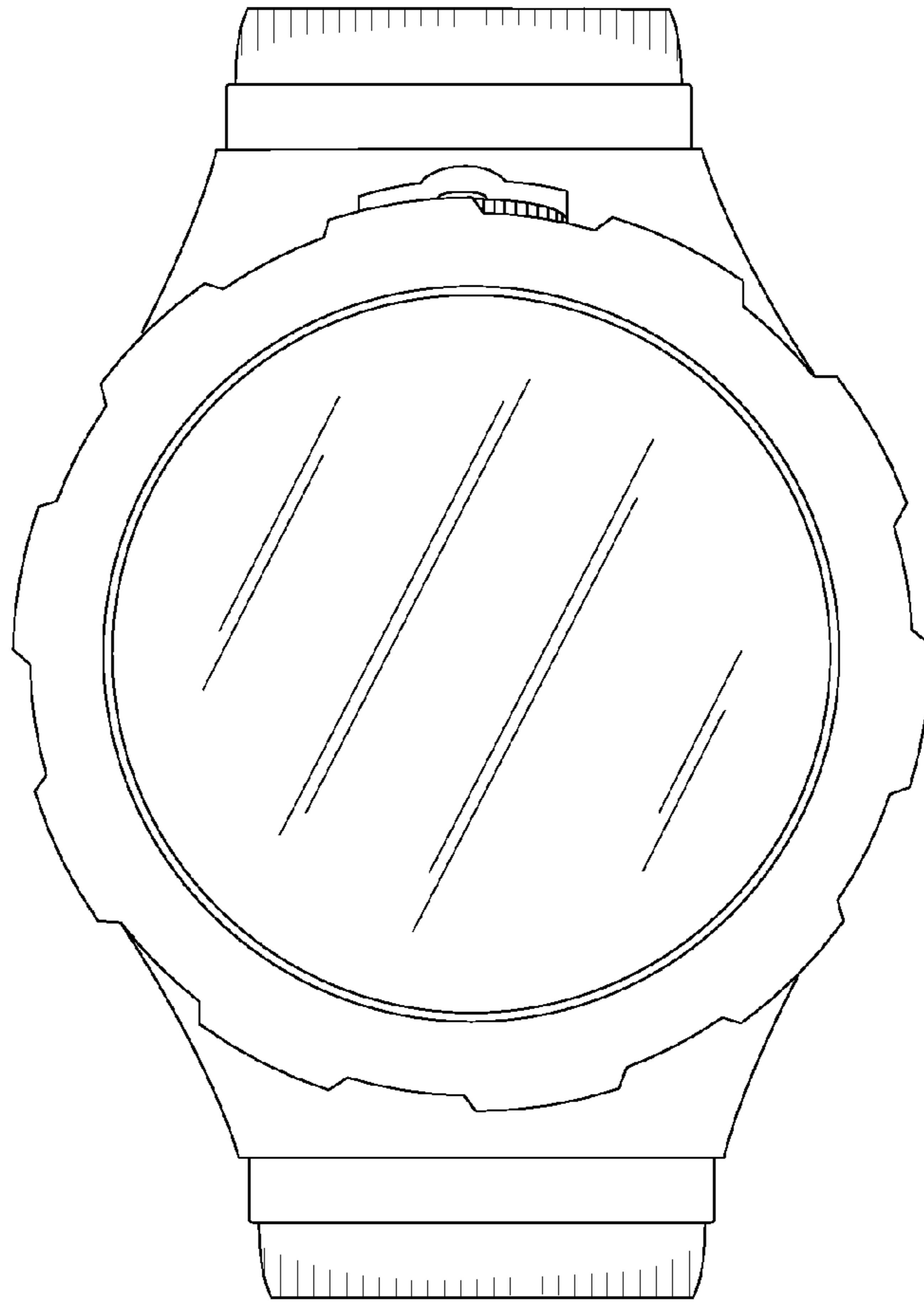


Fig. 5