

US00D544371S

(12) **United States Design Patent**  
**Bhavnani**

(10) **Patent No.:** **US D544,371 S**

(45) **Date of Patent:** **\*\* Jun. 12, 2007**

(54) **CLOCK WITH REMOVABLE FRAME**

D475,303 S \* 6/2003 Lau ..... D10/15  
6,792,709 B1 \* 9/2004 Fine et al. .... 40/720

(75) Inventor: **Dilip Bhavnani**, Beverly Hills, CA  
(US)

**FOREIGN PATENT DOCUMENTS**

(73) Assignee: **Sun Coast Merchandise Corporation**,  
Commerce, CA (US)

WO DM/059601 \* 1/2002

(\*\*) Term: **14 Years**

**OTHER PUBLICATIONS**

(21) Appl. No.: **29/246,426**

Hong Kong Enterprise, Jan. 1984, p. 50, clock LC-83.\*

(22) Filed: **Apr. 10, 2006**

\* cited by examiner

(51) **LOC (8) Cl.** ..... **10-01**

*Primary Examiner*—Lucy Lieberman

(52) **U.S. Cl.** ..... **D10/2; D10/15**

(74) *Attorney, Agent, or Firm*—The Soni Law Firm

(58) **Field of Classification Search** ..... D10/1–29;  
368/276–278, 285, 316, 317, 226, 223, 10,  
368/28–30, 82–84, 239–242, 244–247; D6/300–302,  
D6/308, 310, 312; 40/700, 711, 720, 722  
See application file for complete search history.

(57) **CLAIM**

The ornamental design for a clock with removable frame, as shown and described.

(56) **References Cited**

**DESCRIPTION**

**U.S. PATENT DOCUMENTS**

D83,253 S \* 2/1931 Gatesy ..... D10/15  
D100,403 S \* 7/1936 Worms ..... D10/21  
3,254,927 A \* 6/1966 Harvey ..... 312/9.9  
D226,786 S \* 4/1973 Bolling ..... D19/78  
3,771,246 A \* 11/1973 Ebner ..... 40/720  
D241,626 S \* 9/1976 Durco ..... D10/15  
D255,101 S \* 5/1980 Booty ..... D10/15  
4,449,833 A \* 5/1984 Montgomery et al. .... 368/262  
D274,191 S \* 6/1984 Aoijs ..... D14/171  
D277,556 S \* 2/1985 Pappas ..... D10/2  
D354,627 S \* 1/1995 Rowan ..... D6/300  
D444,177 S \* 6/2001 Carretta ..... D19/85  
6,543,167 B1 \* 4/2003 Dwyer ..... 40/725

FIG. 1 is a top, front and right side perspective view of a clock with removable frame showing my new design;

FIG. 2 is a front elevation thereof;

FIG. 3 is a top plan view thereof;

FIG. 4 is a right side elevation thereof;

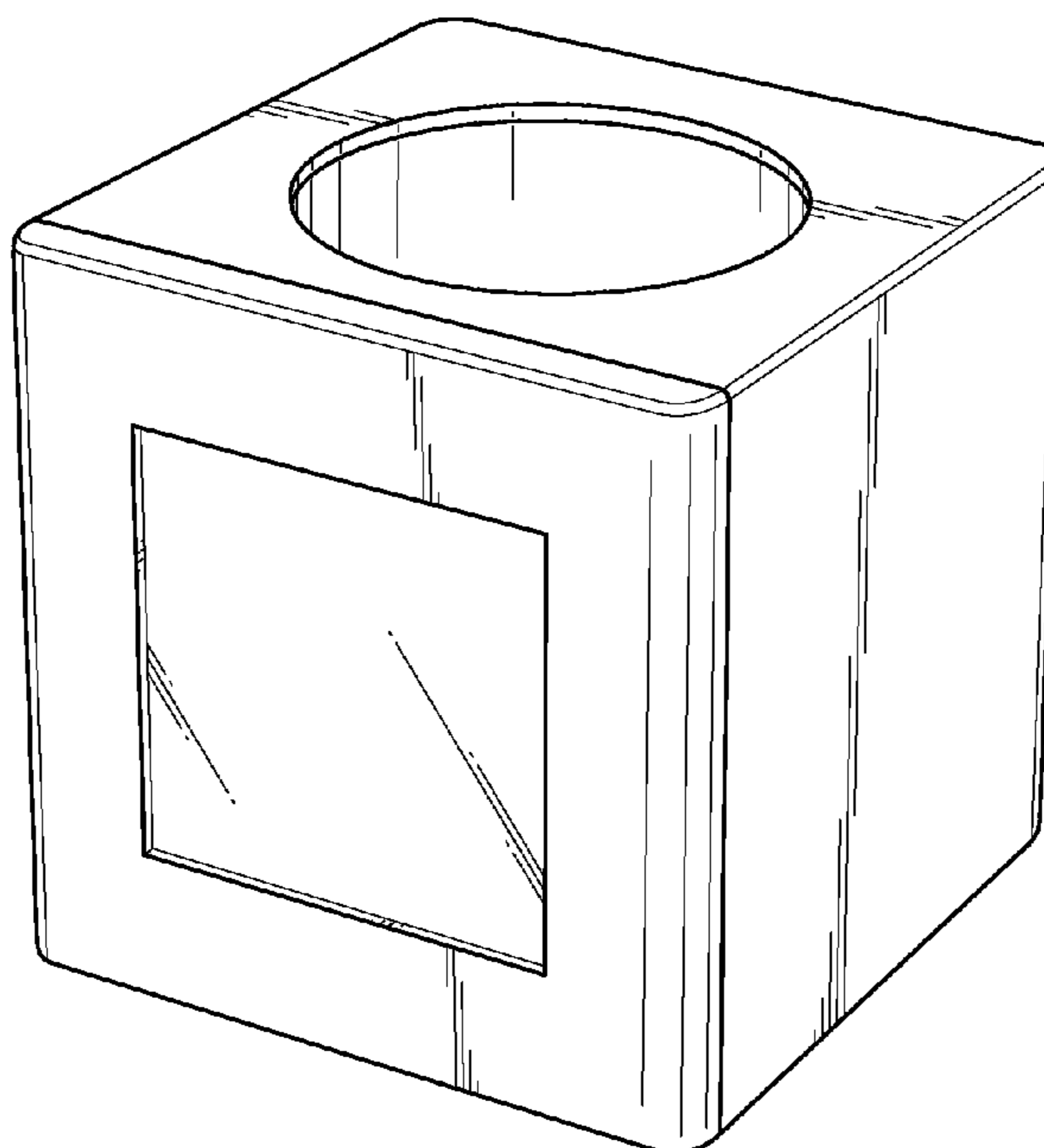
FIG. 5 is a rear elevation thereof;

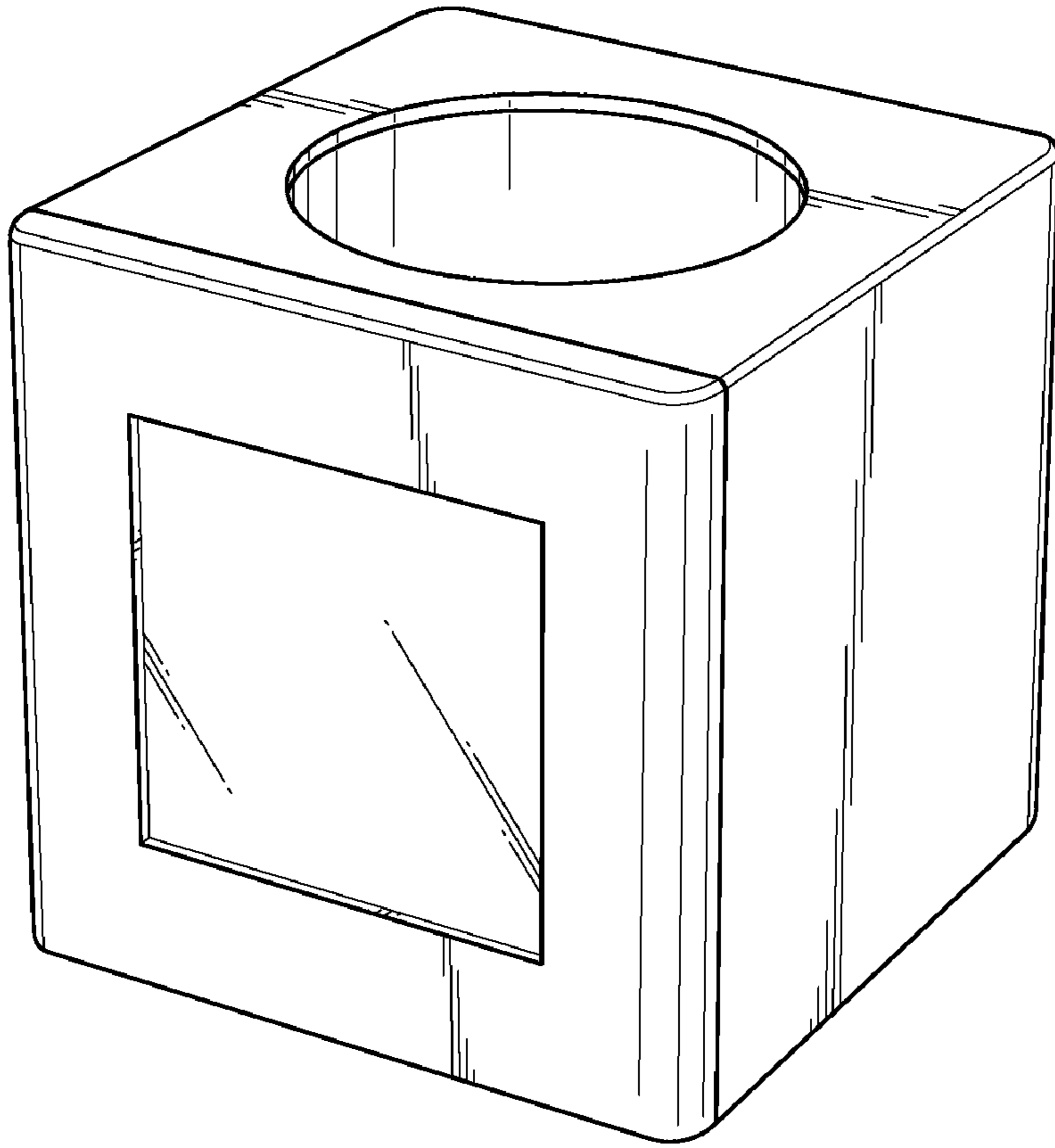
FIG. 6 is a bottom plan view thereof;

FIG. 7 is a top, front and right side perspective view showing the clock with removable frame in an exploded condition; and,

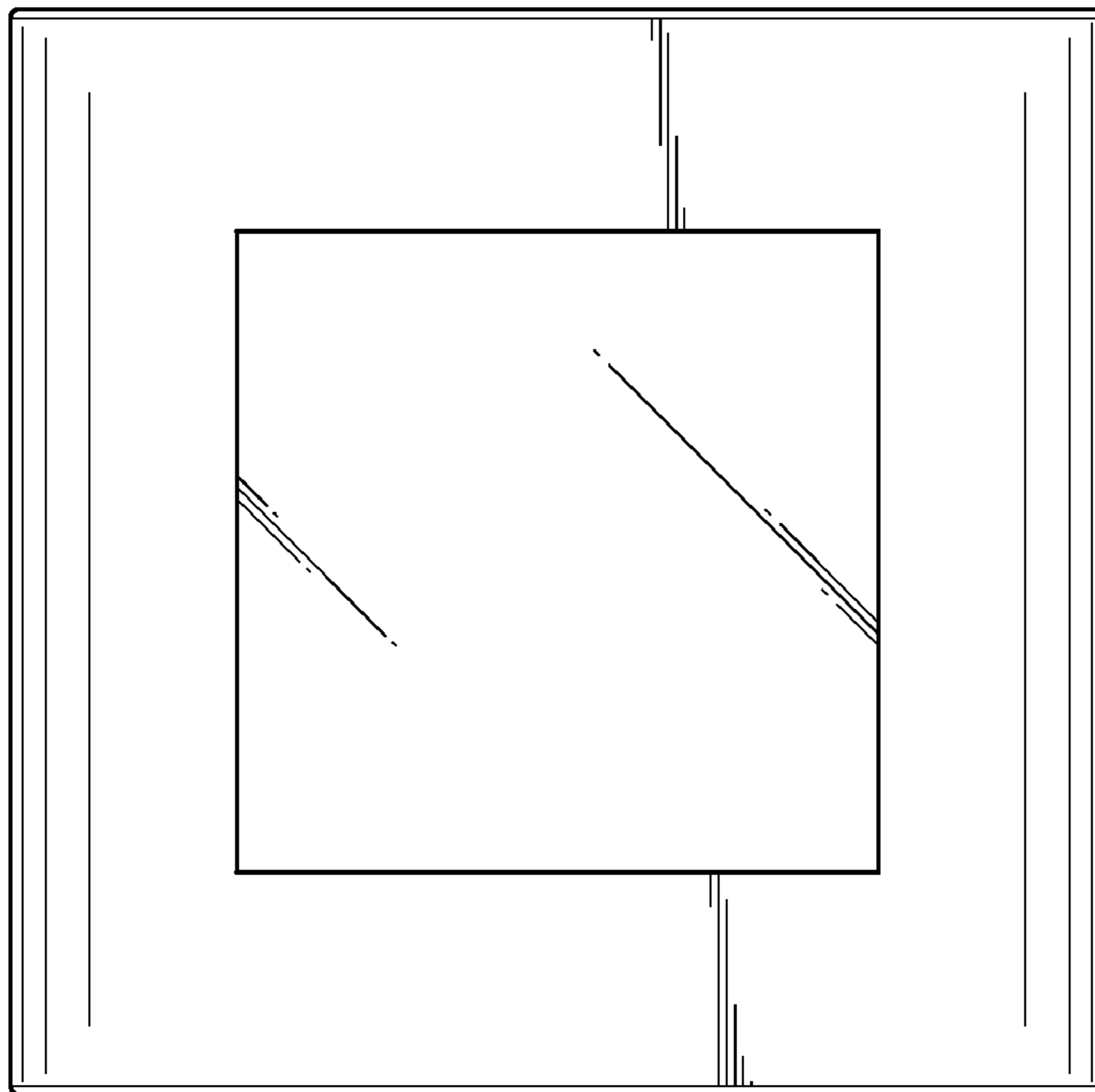
FIG. 8 is a rear elevation of the frame shown alone for clarity of illustration.

**1 Claim, 4 Drawing Sheets**

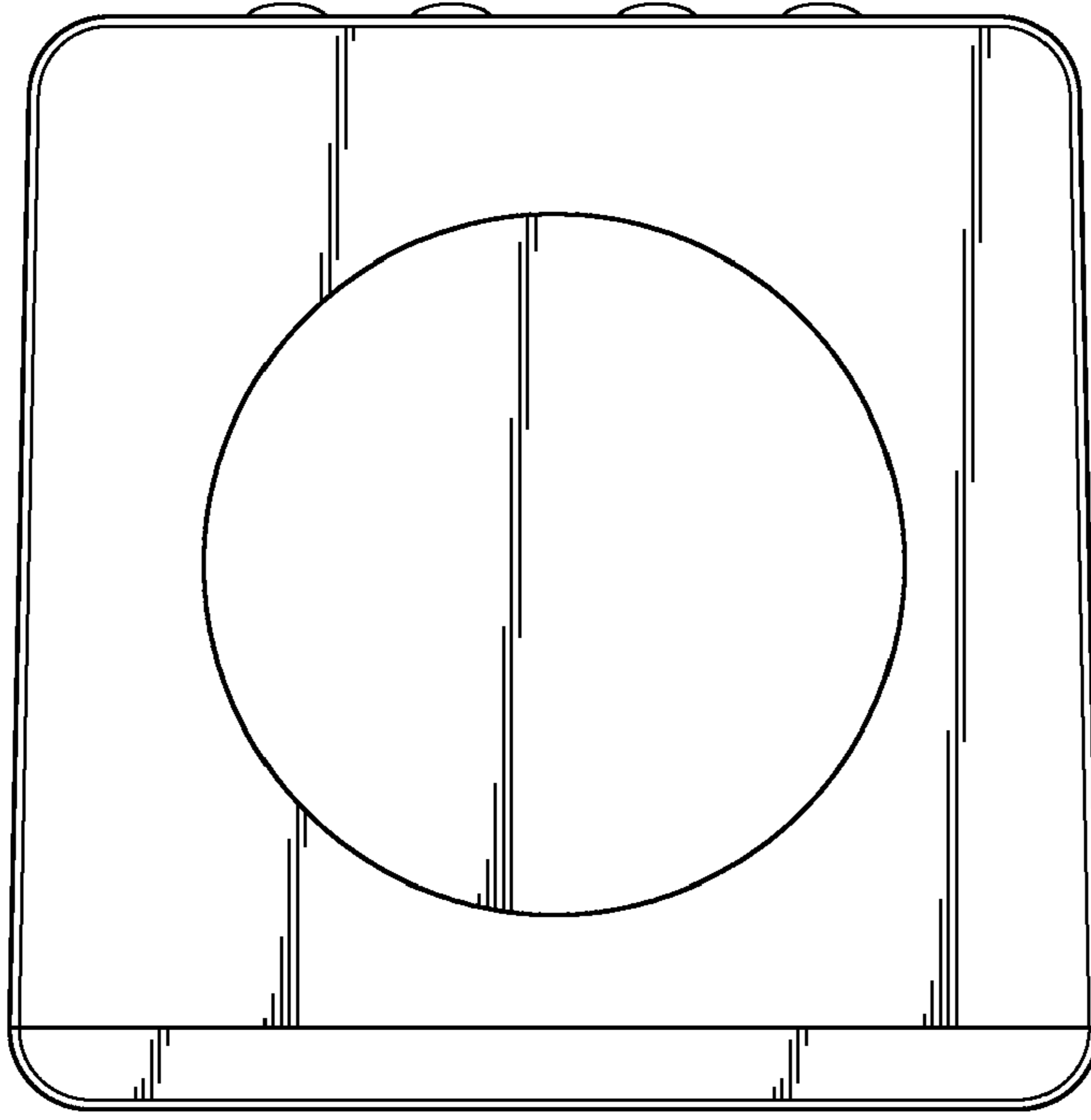




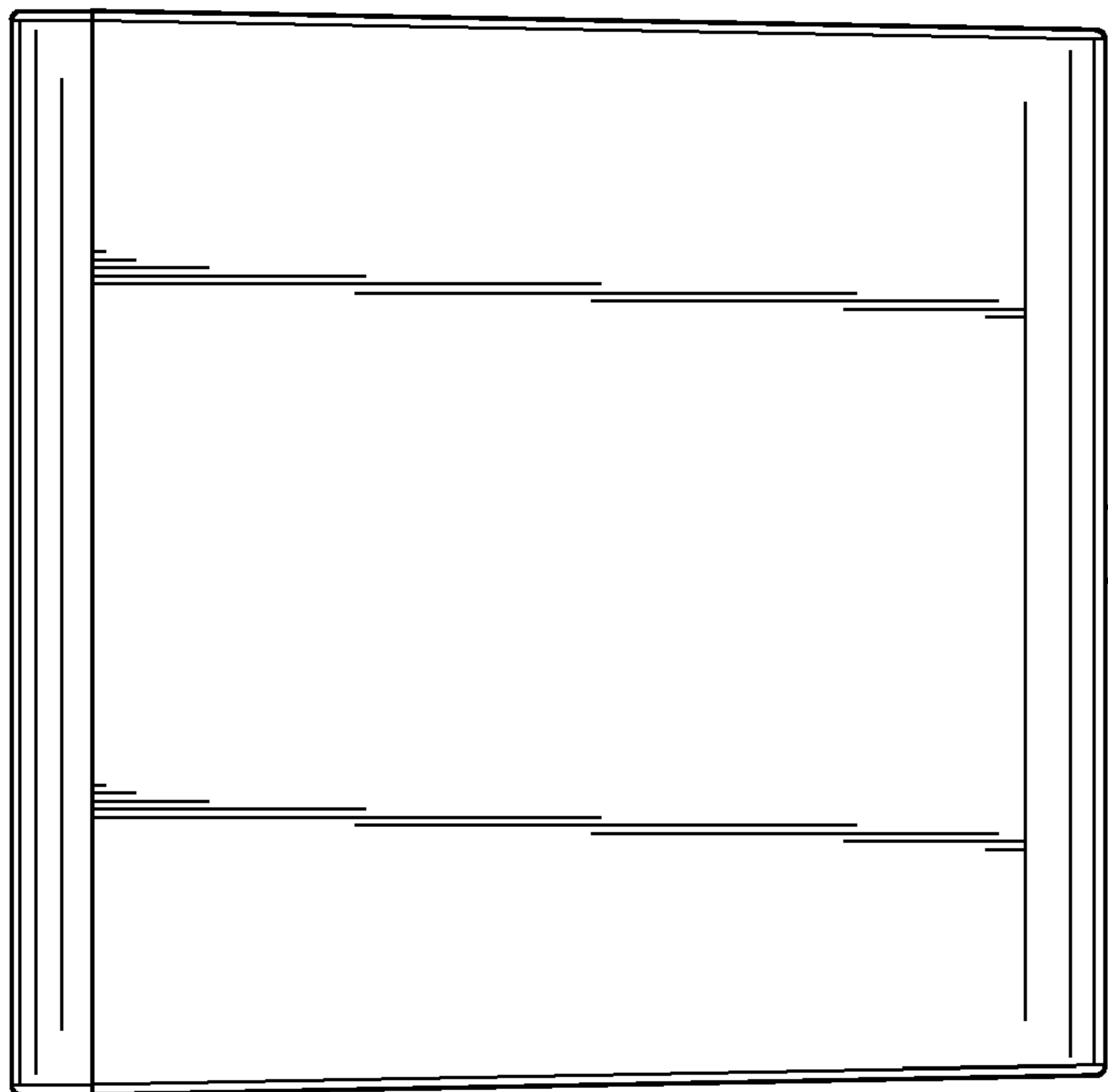
*FIG. 1*



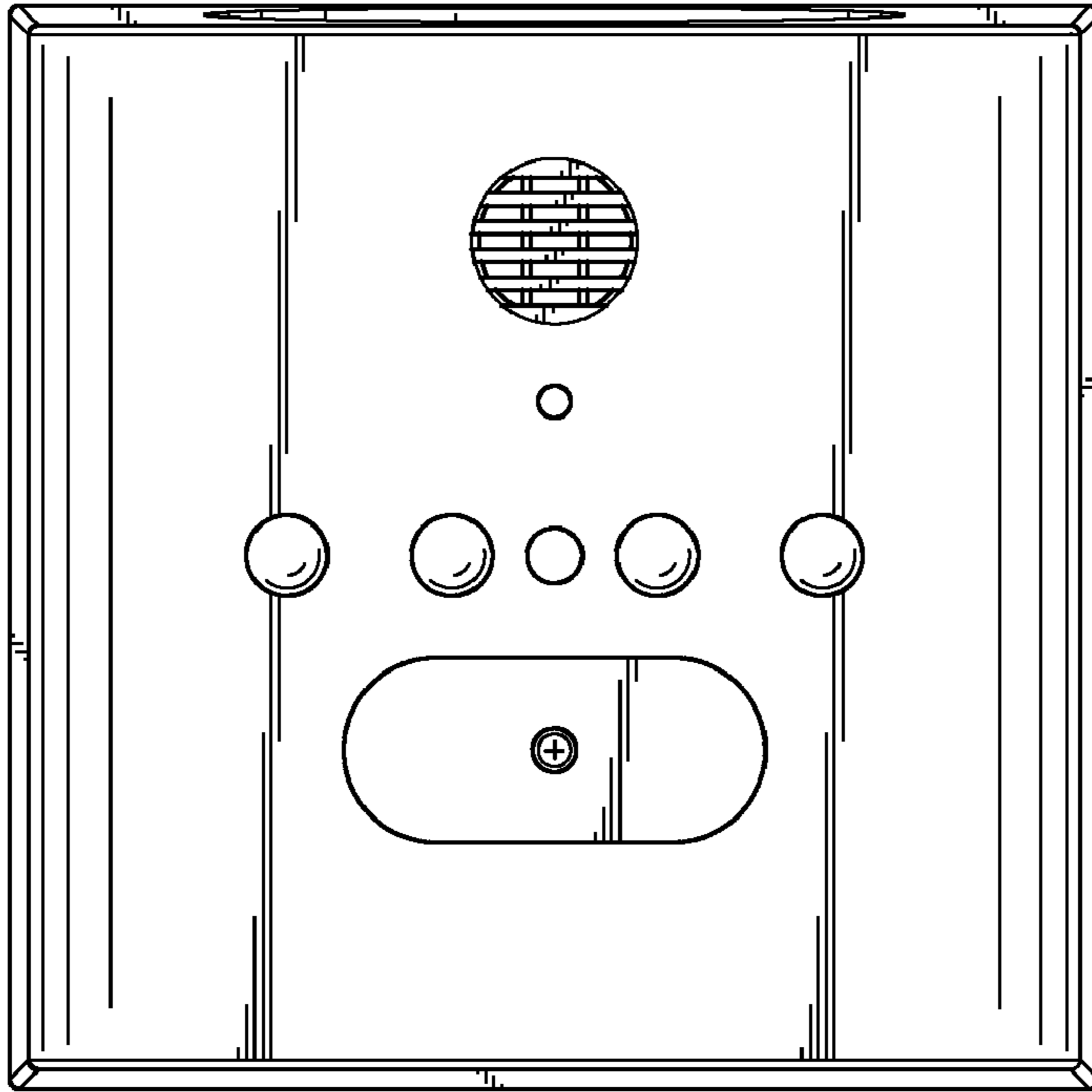
*FIG. 2*



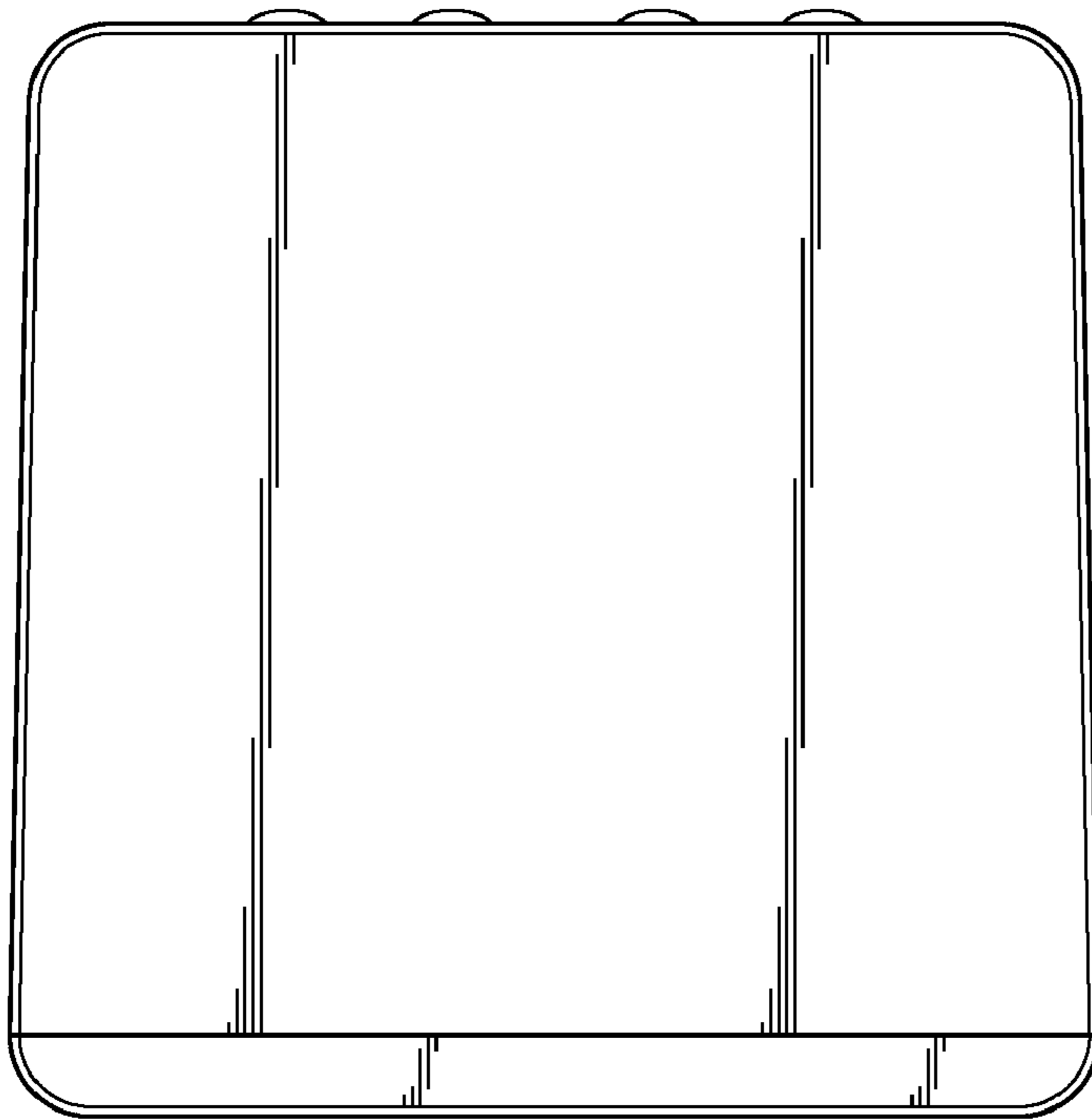
*FIG. 3*



*FIG. 4*

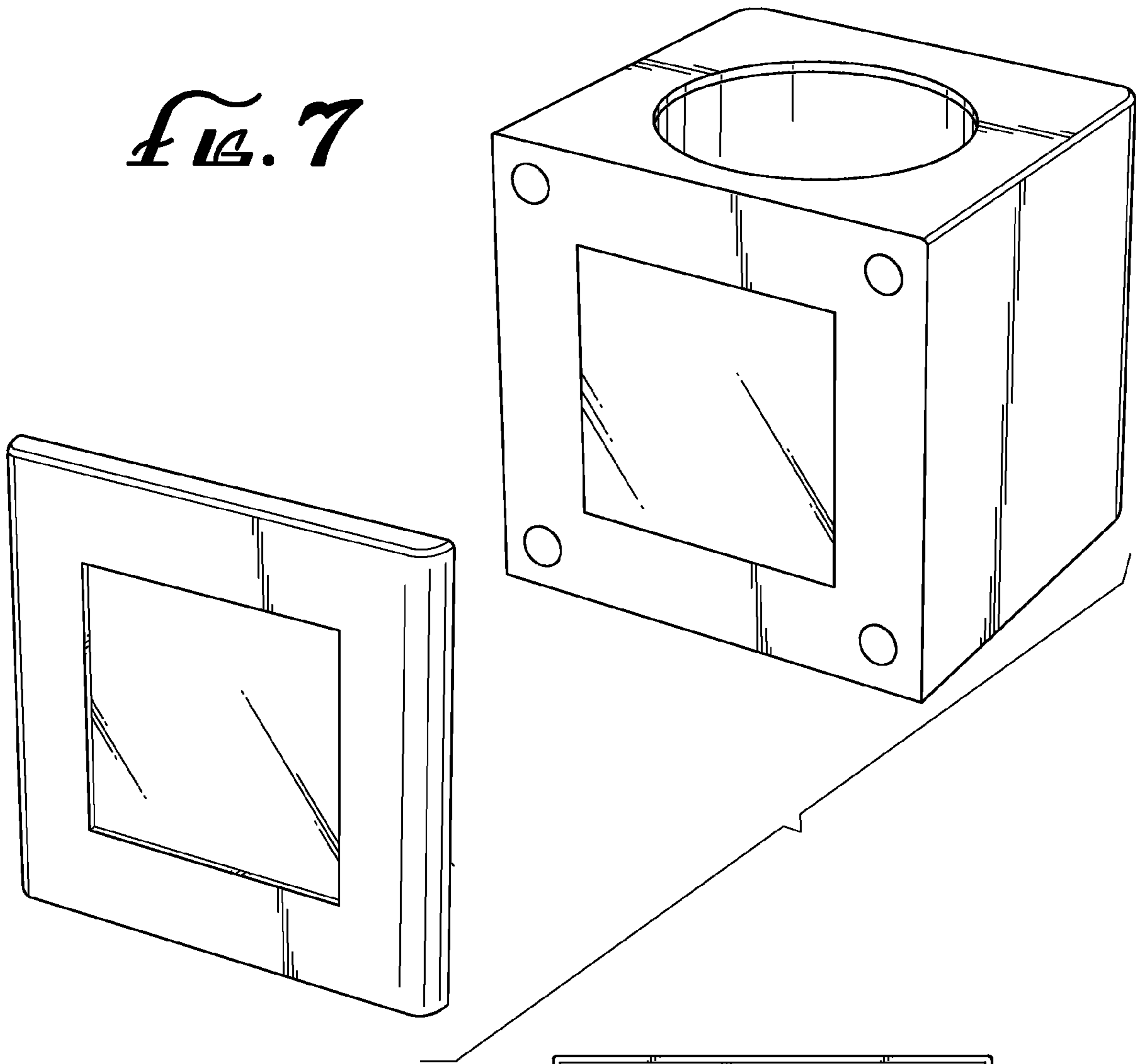


*FIG. 5*



*FIG. 6*

*FIG. 7*



*FIG. 8*

