

US00D544356S

(12) **United States Design Patent**
Stoddard

(10) **Patent No.:** **US D544,356 S**

(45) **Date of Patent:** **** Jun. 12, 2007**

(54) **SET OF SURFACE PADS FOR A BOTTLE**

(76) Inventor: **David C. F. Stoddard**, 2862 Elliott Cir.
NE., Atlanta, GA (US) 30305-2727

(**) Term: **14 Years**

(21) Appl. No.: **29/246,616**

(22) Filed: **Apr. 27, 2006**

(51) **LOC (8) Cl.** **09-01**

(52) **U.S. Cl.** **D9/516**

(58) **Field of Classification Search** D9/682,
D9/686-687, 691, 694, 773, 516, 530, 541-546,
D9/553-554, 556, 560, 566-567, 569, 572,
D9/574-575; D7/300, 590-591, 598; 215/381-385,
215/396, 398; 220/660, 669, 675
See application file for complete search history.

(56) **References Cited**

U.S. PATENT DOCUMENTS

217,559 A *	7/1879	Swope	215/386 X
852,360 A *	4/1907	Warner	215/383
D41,560 S *	7/1911	Hays	D9/560
D69,215 S *	1/1926	Guilhem	D9/556 X
D88,152 S *	11/1932	Kahn	D9/546
D90,196 S *	6/1933	Lelong	D9/544
D97,723 S *	12/1935	Weeks	D9/555 X
D125,921 S *	3/1941	McIntosh	D9/545
D130,199 S *	10/1941	Mamlok	D9/544
D145,275 S	7/1946	Scott		
D160,653 S *	10/1950	Overhamm	D9/550
D193,637 S	9/1962	Ferraro		
3,126,139 A *	3/1964	Schecter	215/382 X
D208,380 S *	8/1967	Schnur	D9/556
3,536,500 A	10/1970	Cleereman et al.		
D243,387 S *	2/1977	de Jouennes	D9/545 X
D258,047 S *	1/1981	Strand	D9/545 X

D258,720 S	3/1981	Evans et al.		
D298,804 S *	12/1988	Brindfors	D9/550
D317,256 S	6/1991	Samuels		
D328,009 S *	7/1992	Kornick et al.	D7/591
D342,029 S *	12/1993	Tsantalis	D9/641
5,350,078 A	9/1994	Potts et al.		
6,145,681 A	11/2000	Chimetto et al.		
6,161,713 A	12/2000	Krich		
6,659,300 B2	12/2003	Wurster et al.		
6,695,162 B1	2/2004	Boukobza et al.		
6,749,075 B2	6/2004	Bourque et al.		
6,964,345 B2	11/2005	Wetherell, Jr. et al.		
D512,641 S	12/2005	Anderson et al.		
6,974,047 B2	12/2005	Kelley et al.		
D521,390 S *	5/2006	Andoh	D9/560 X

* cited by examiner

Primary Examiner—Carol Rademaker

(74) *Attorney, Agent, or Firm*—Duane Morris LLP

(57) **CLAIM**

The ornamental design for set of surface pads for a bottle, as shown and described.

DESCRIPTION

FIG. 1 is a front perspective view of a set of surface pads for a bottle according to the invention;

FIG. 2 is a front view of the set of surface pads for a bottle;

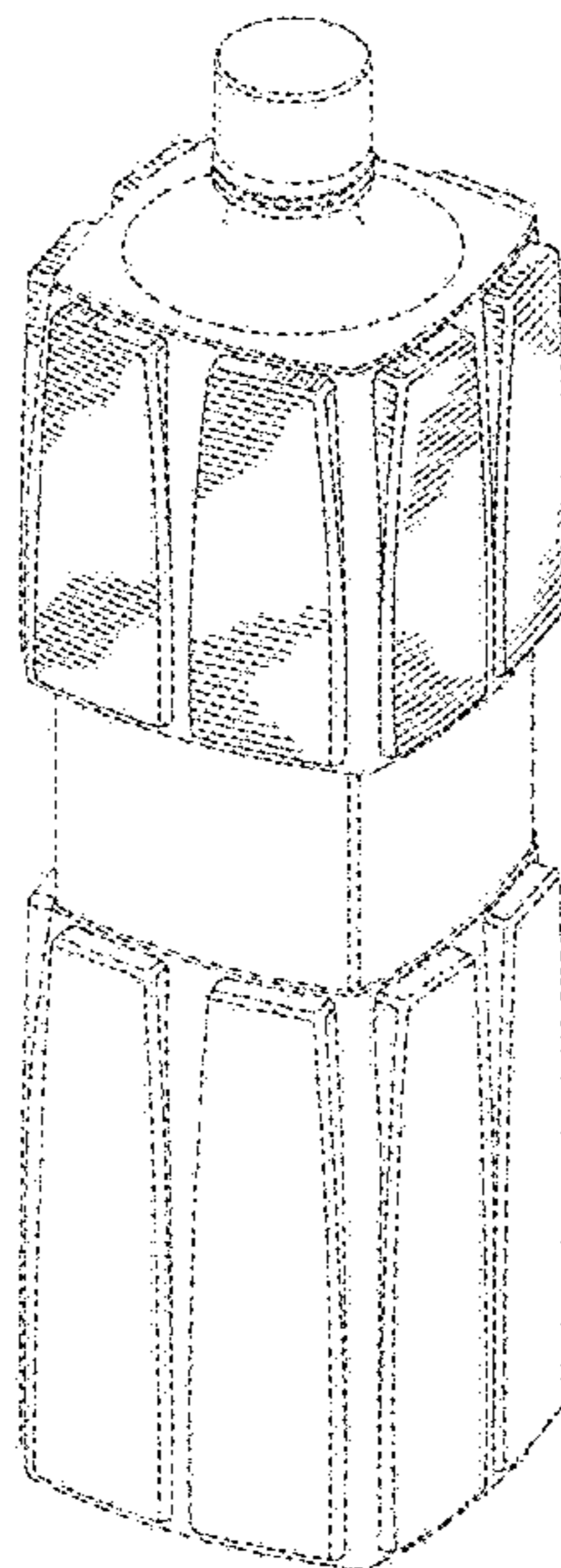
FIG. 3 is a rear view of the set of surface pads for a bottle;

FIG. 4 is a top view of the set of surface pads for a bottle; and,

FIG. 5 is a bottom view of the set of surface pads for a bottle.

The broken lines shown in the drawings are for illustrative purposes only and form no part of the claimed design.

1 Claim, 3 Drawing Sheets



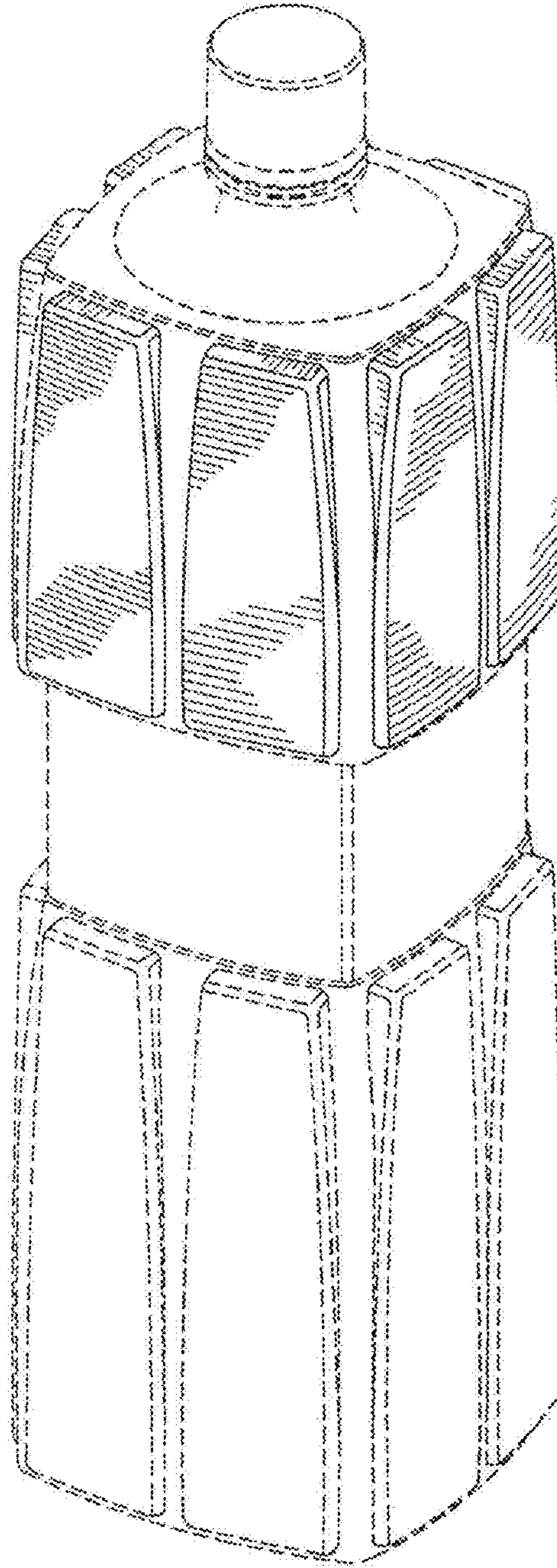


FIG. 1

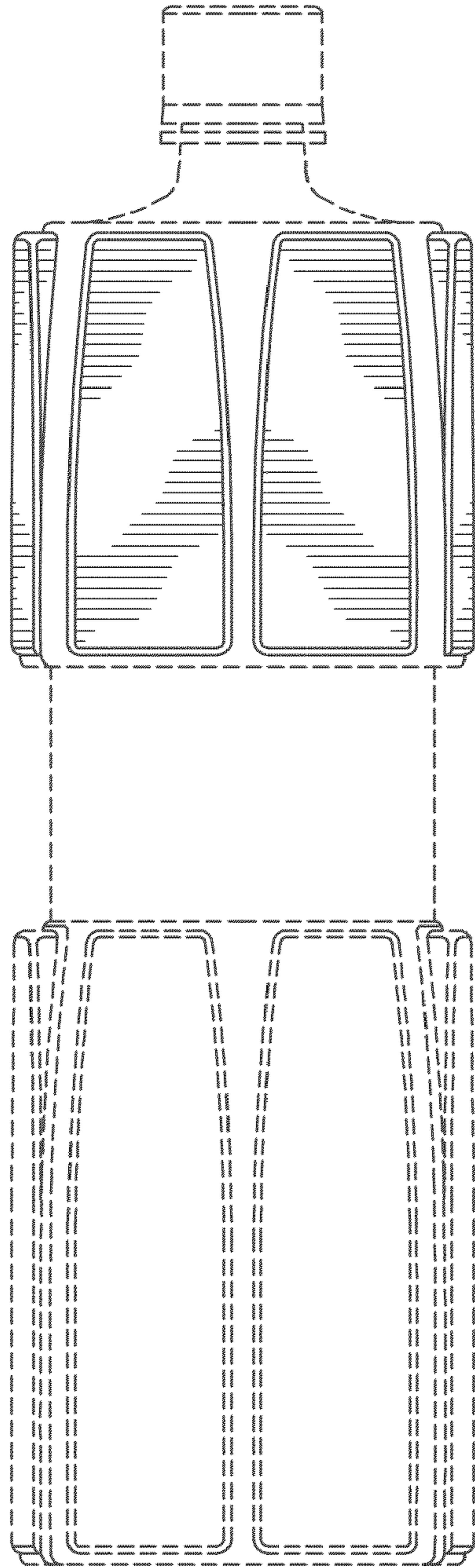


FIG. 2

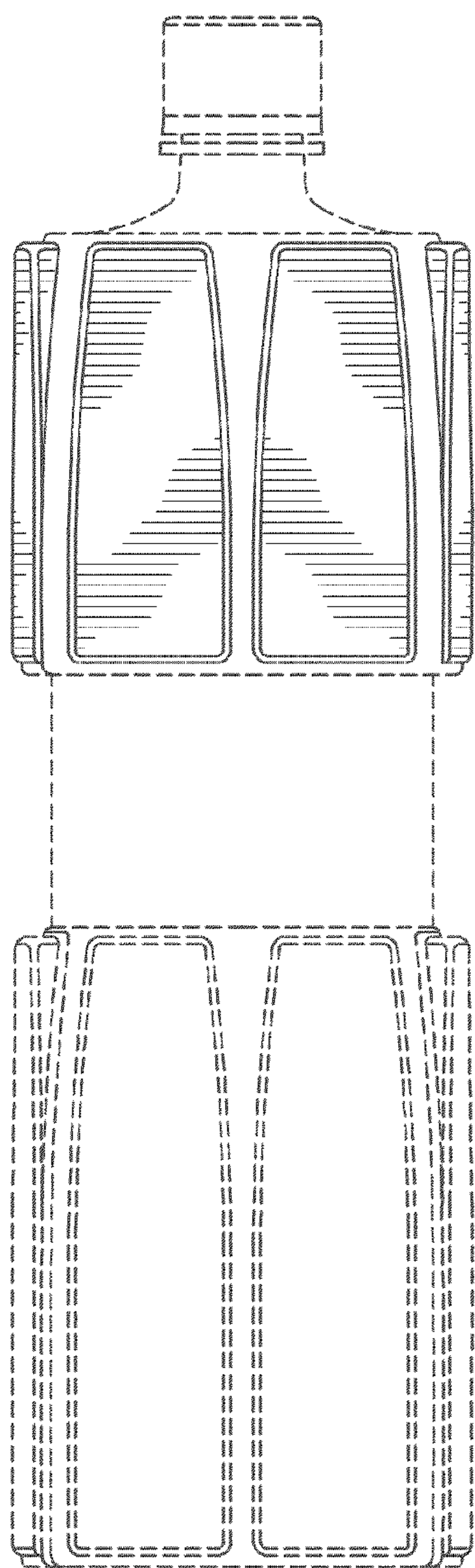


FIG. 3

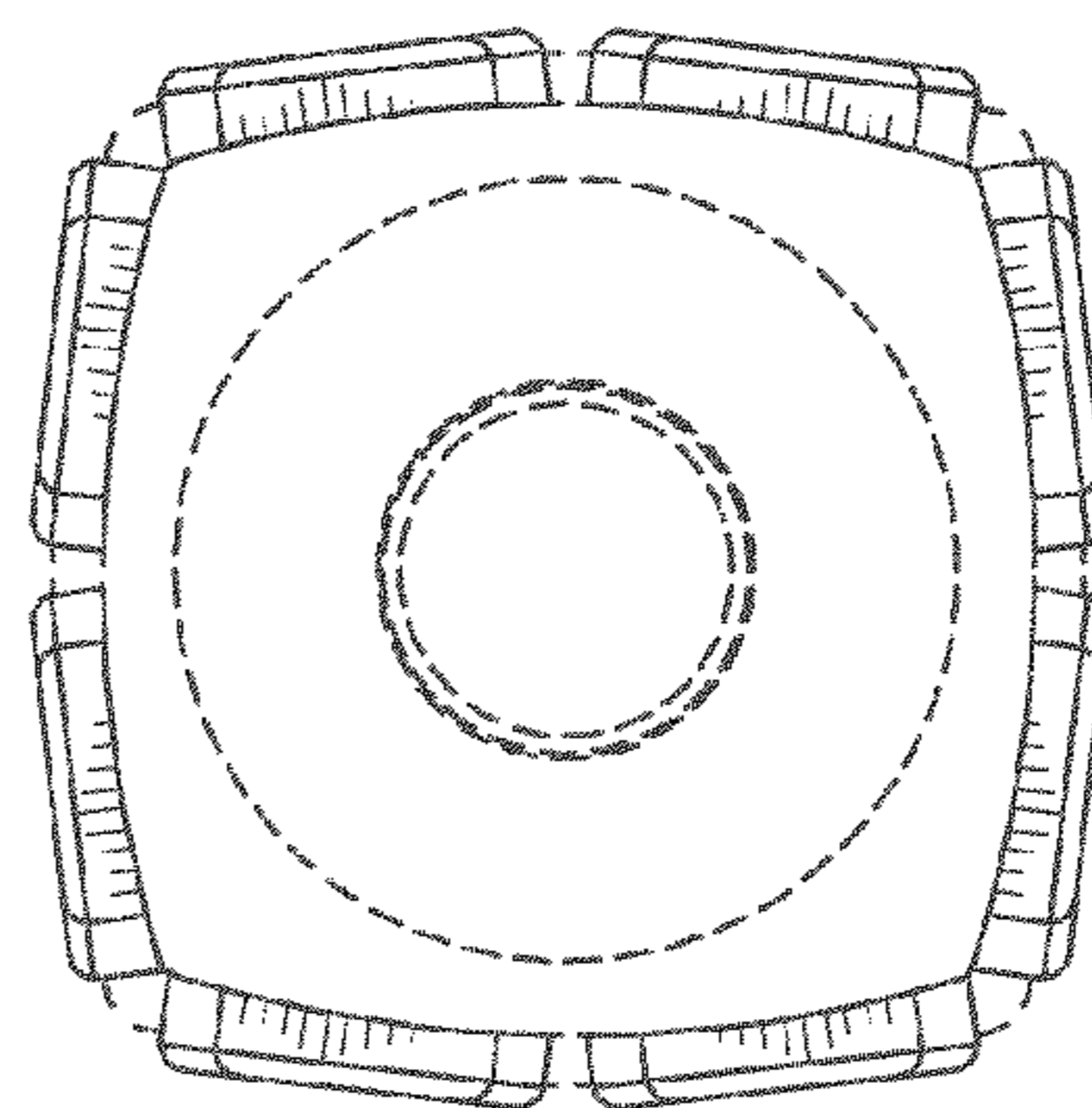


FIG. 4

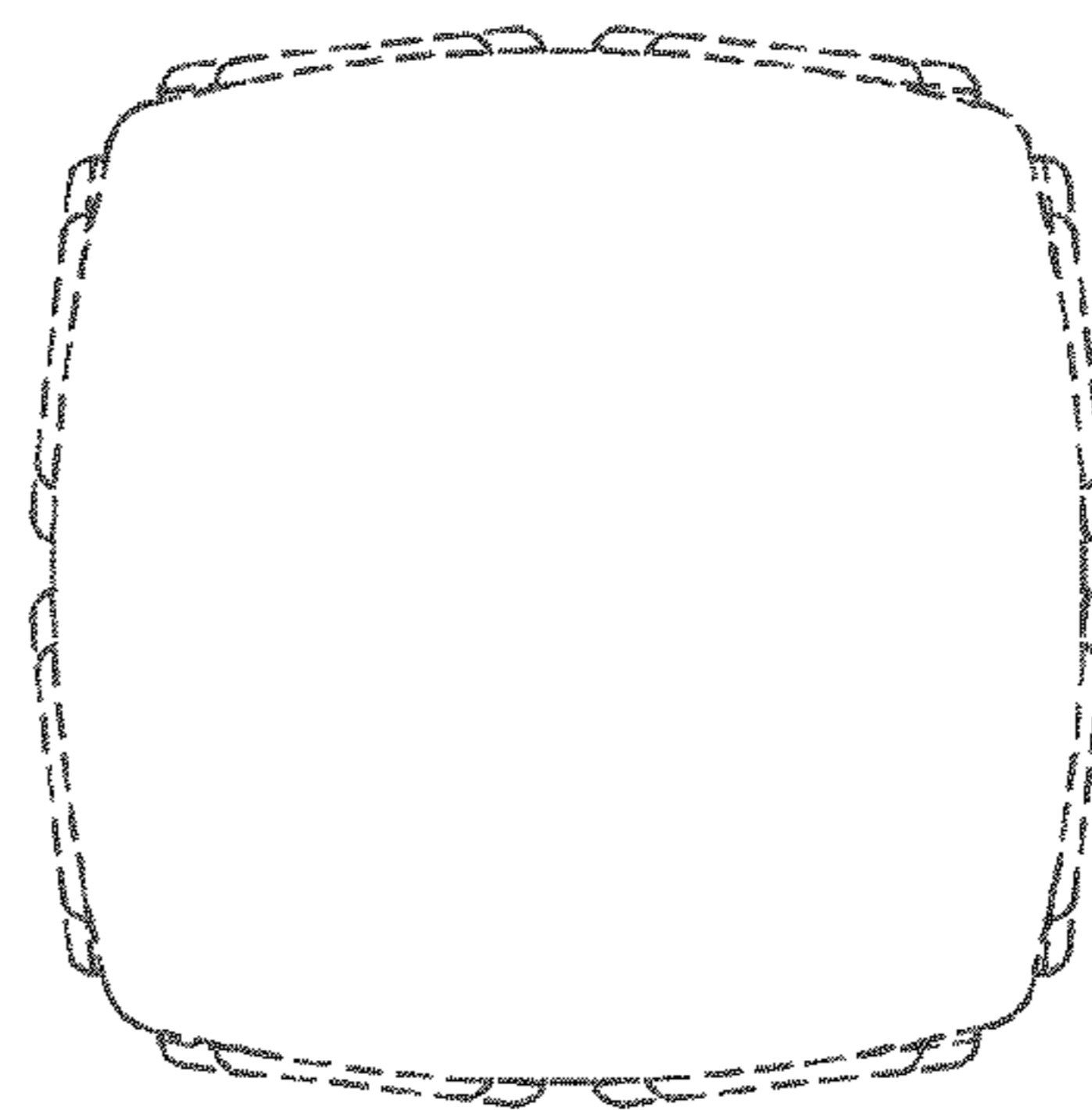


FIG. 5