

US00D544353S

(12) **United States Design Patent**
Dodd

(10) **Patent No.:** **US D544,353 S**
(45) **Date of Patent:** **** Jun. 12, 2007**

(54) **BOTTLE NECK**
(75) Inventor: **Joseph K. Dodd**, Grandview, MO (US)
(73) Assignee: **Saint-Gobain Calmar Inc.**, City of Industry, CA (US)

3,347,420 A * 10/1967 Donoghue 222/129
D214,549 S * 7/1969 Ledewitz D9/741
3,467,269 A * 9/1969 Newton 215/6
D323,980 S * 2/1992 Perrin D9/742
D342,022 S * 12/1993 Pritchard D9/741
D361,509 S * 8/1995 Dull et al. D9/742
6,223,942 B1 * 5/2001 Markey et al. 222/94
6,419,783 B1 * 7/2002 Rainey et al. 222/94 X
D471,819 S * 3/2003 Paul et al. D9/524

(**) Term: **14 Years**

(21) Appl. No.: **29/219,652**

(22) Filed: **Dec. 21, 2004**

(51) **LOC (8) Cl.** **09-01**
(52) **U.S. Cl.** **D9/516; D9/741**
(58) **Field of Classification Search** D9/682,
D9/684, 686-694, 738-747, 516-517, 520-526,
D9/529-530, 535, 538, 541-542, 547-549,
D9/557-558, 574-575; D3/202; 215/6,
215/10, 381-385, 12.1; 220/660, 669, 675;
D24/197

See application file for complete search history.

(56) **References Cited**

U.S. PATENT DOCUMENTS

2,661,871 A * 12/1953 Huenergardt 222/129
D189,938 S * 3/1961 Heintz D9/741
D190,101 S * 4/1961 Mangini D9/741
D192,980 S * 6/1962 Mangini D9/741
3,105,615 A * 10/1963 Koga 222/94
D208,170 S * 7/1967 Nataf D9/747

* cited by examiner

Primary Examiner—Carol Rademaker

(74) *Attorney, Agent, or Firm*—Dykema Gossett PLLC

(57) **CLAIM**

The ornamental design for a bottle neck, as shown and described.

DESCRIPTION

FIG. 1 is a top plan view of the bottle neck showing my new design;

FIG. 2 is a front view thereof, the rear view being a mirror image;

FIG. 3 is a right side elevational view thereof;

FIG. 4 is a left side elevational view thereof; and,

FIG. 5 is a top perspective view thereof.

1 Claim, 1 Drawing Sheet

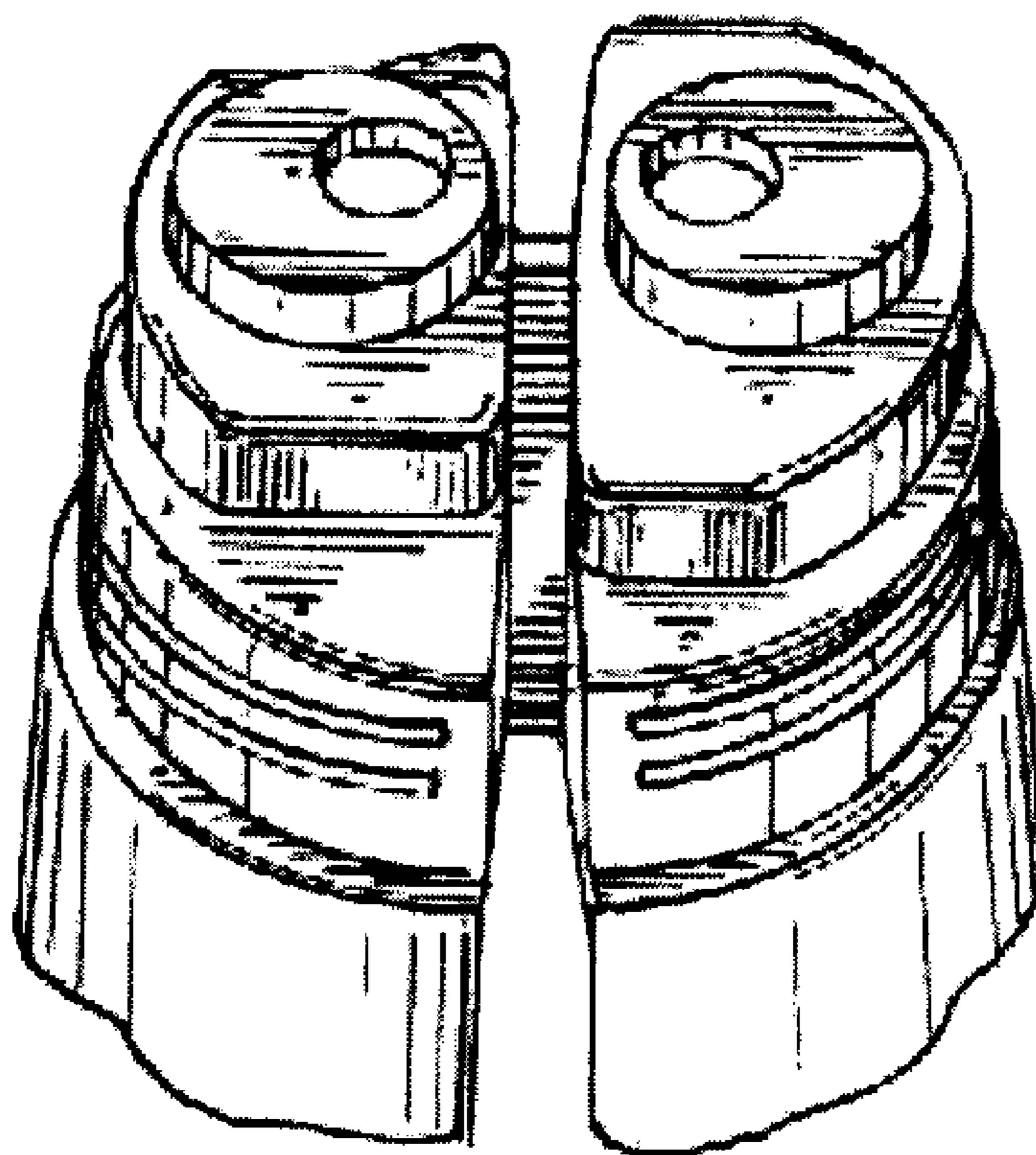


FIG. 1

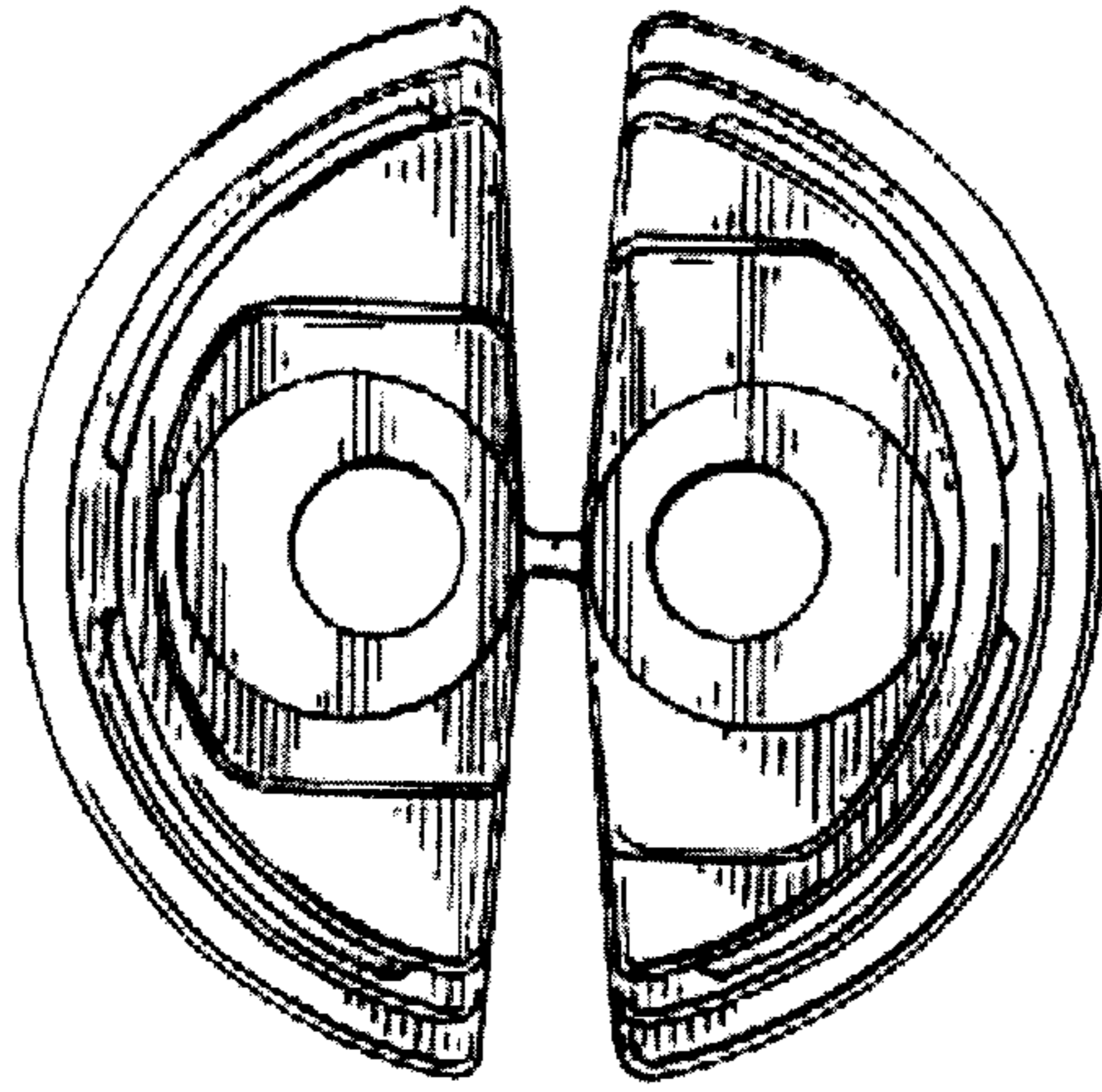


FIG. 3

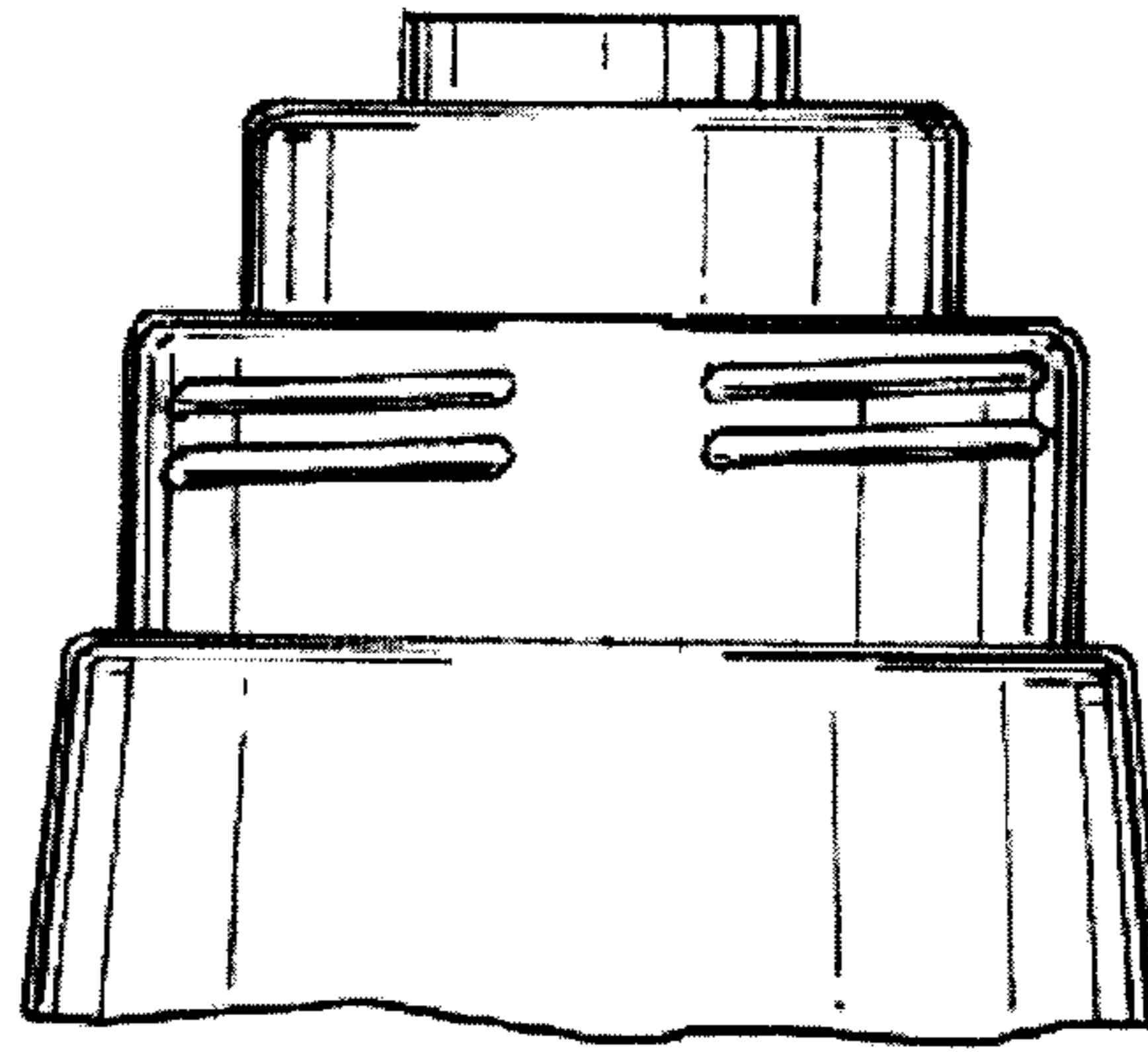


FIG. 2

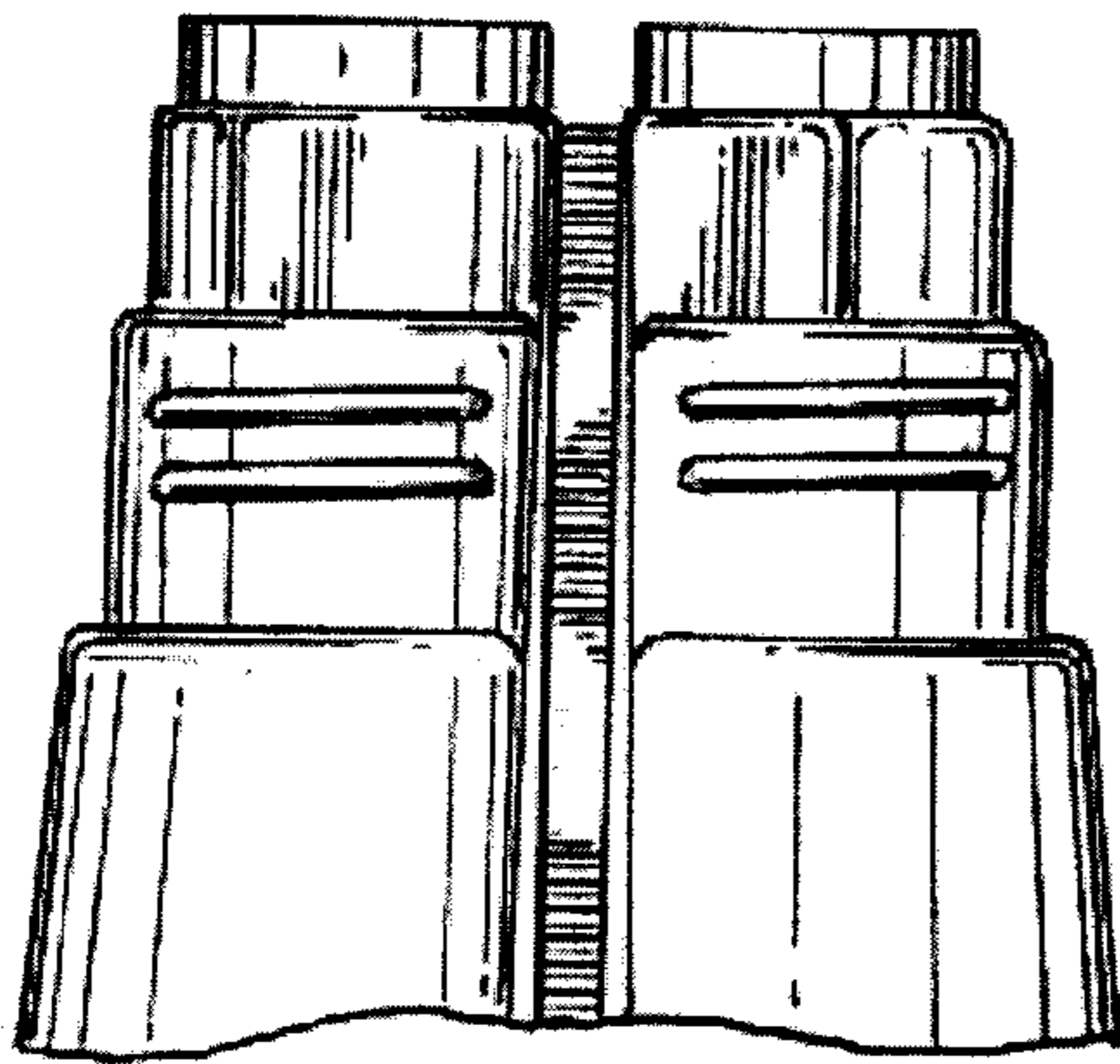


FIG. 4

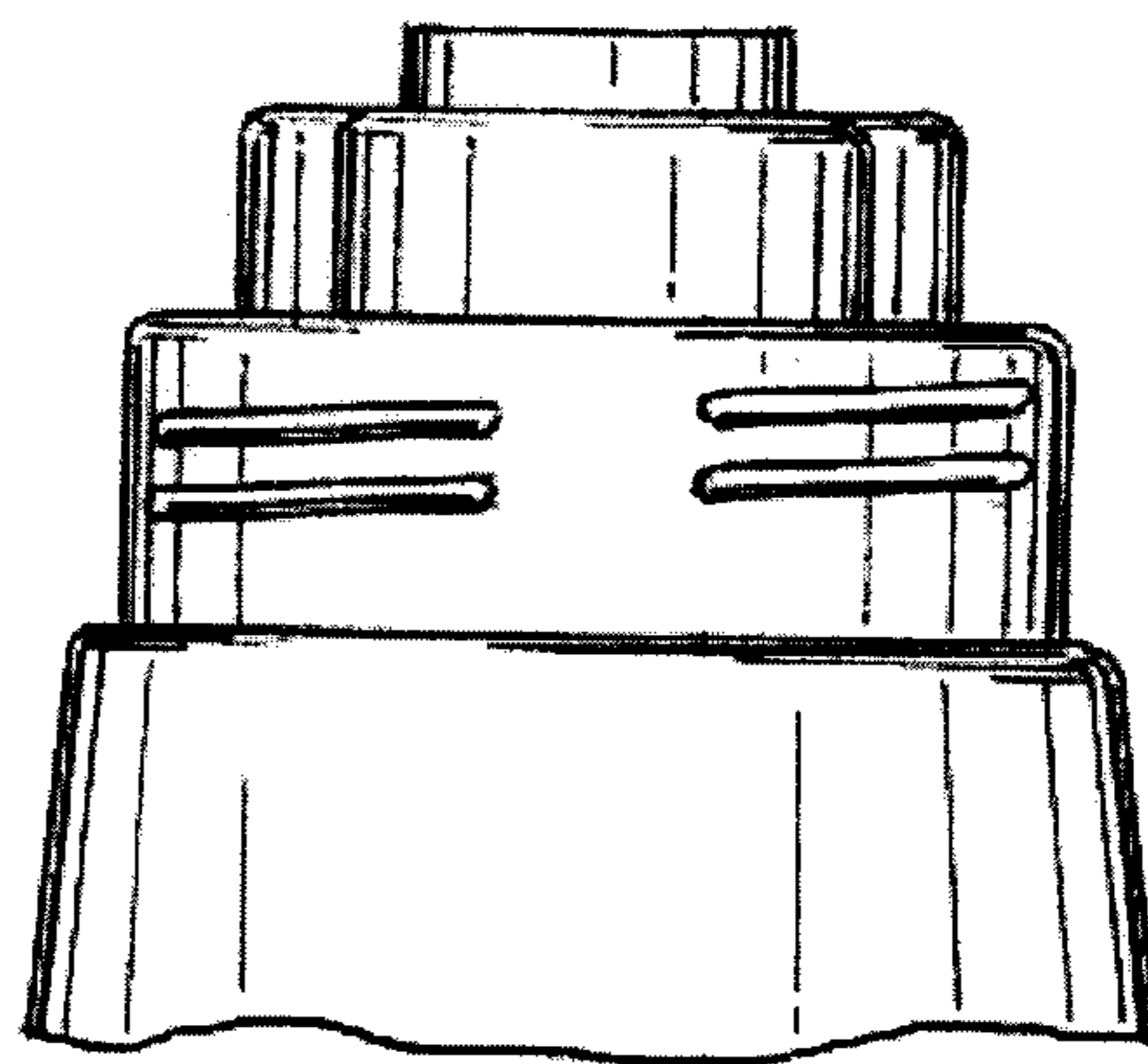


FIG. 5

