

US00D544349S

(12) **United States Design Patent**
Hyde et al.

(10) **Patent No.:** **US D544,349 S**
(45) **Date of Patent:** **** Jun. 12, 2007**

(54) **CONTAINER**

(75) Inventors: **Rob Hyde**, Rotterdam (NL); **Sijia Wu**, Rotterdam (NL)

(73) Assignee: **Conopco, Inc.**, Englewood Cliffs, NJ (US)

(**) Term: **14 Years**

(21) Appl. No.: **29/235,964**

(22) Filed: **Aug. 9, 2005**

(30) **Foreign Application Priority Data**

Feb. 10, 2005 (EM) 000294400-2
Feb. 10, 2005 (EM) 000294400-1

(51) **LOC (8) Cl.** **09-01**

(52) **U.S. Cl.** **D9/500; D9/550**

(58) **Field of Classification Search** D9/500,
D9/502-503, 516, 520, 537-539, 549-550,
D9/557-558; 215/379, 381-384; 220/660,
220/662, 669-670, 675

See application file for complete search history.

(56) **References Cited**

U.S. PATENT DOCUMENTS

D242,527 S * 11/1976 Plummer D9/500
D274,500 S * 7/1984 Sephton D9/500

D353,098 S * 12/1994 Beechuk et al. D9/538
D413,518 S * 9/1999 Rodea D9/538
D427,528 S * 7/2000 Krueger D9/503
D445,036 S * 7/2001 Goettner et al. D9/538
D463,287 S * 9/2002 Moore et al. D9/549
D513,475 S * 1/2006 Sheffler et al. D9/502
D528,915 S * 9/2006 Sheffler et al. D9/500
D531,507 S * 11/2006 Sheffler et al. D9/502

* cited by examiner

Primary Examiner—Ian Simmons

Assistant Examiner—Dana Sipos

(74) *Attorney, Agent, or Firm*—Gerard J. McKowan, Jr.

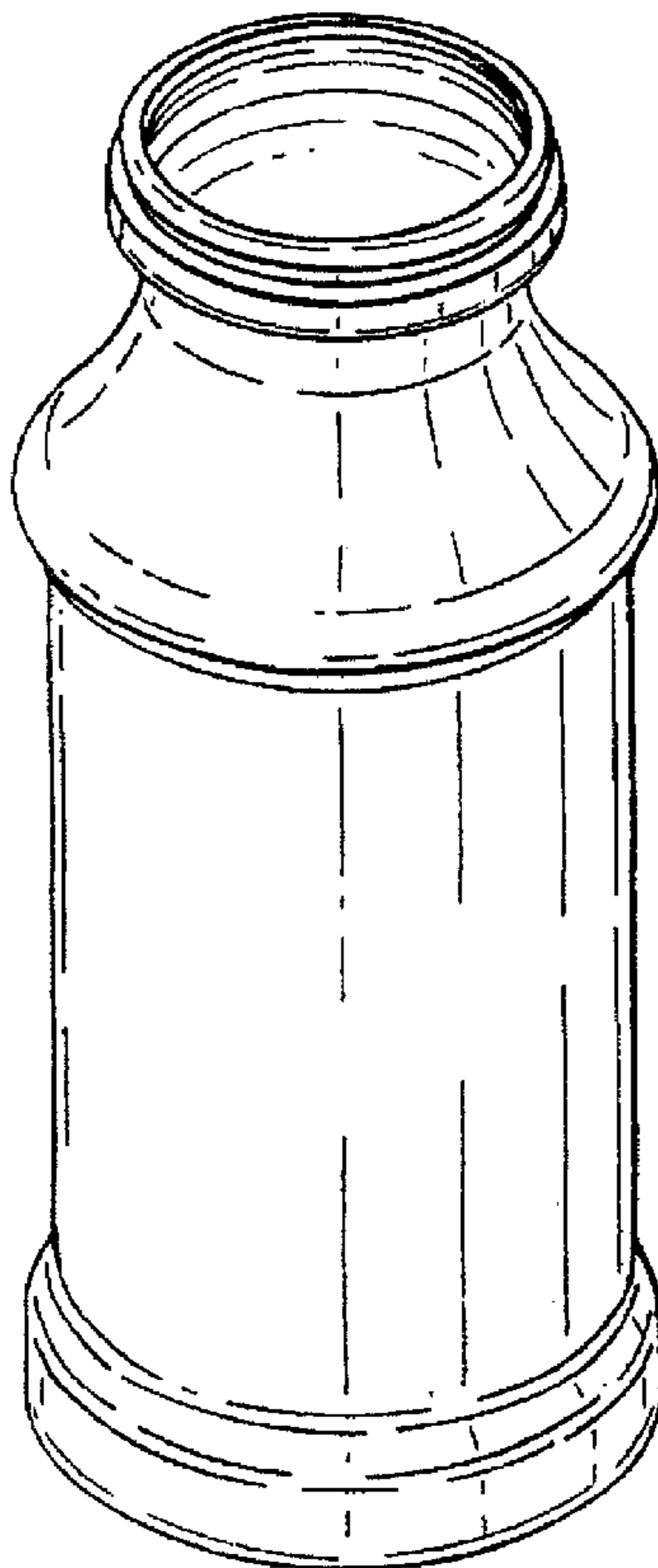
(57) **CLAIM**

The ornamental design for a container, substantially as shown and described.

DESCRIPTION

FIG. 1 is a top, front perspective view of a container showing our new design;
FIG. 2 is a rear elevational view thereof;
FIG. 3 is a top plan view thereof;
FIG. 4 is a top, front perspective view of a second embodiment showing out new design;
FIG. 5 is a rear elevational view thereof; and,
FIG. 6 is a top plan view thereof.

1 Claim, 2 Drawing Sheets



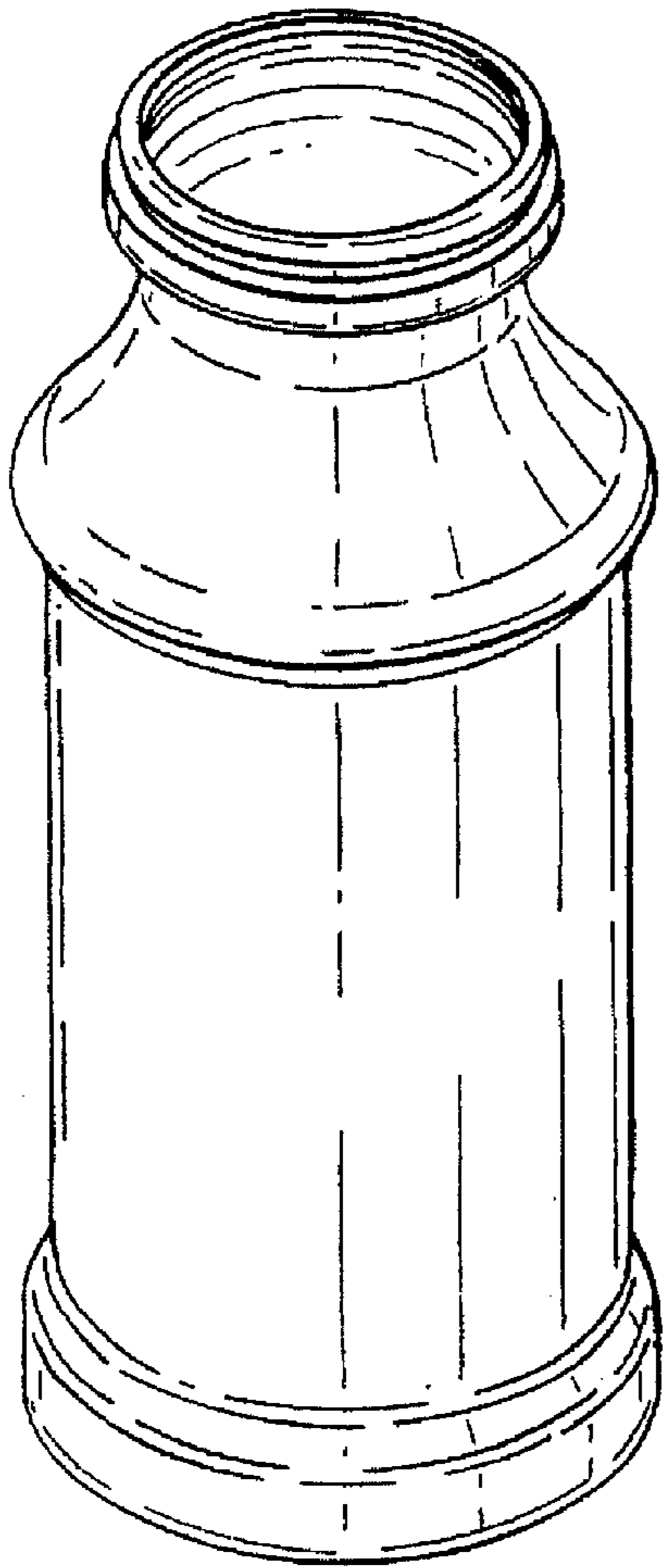


Fig. 1.

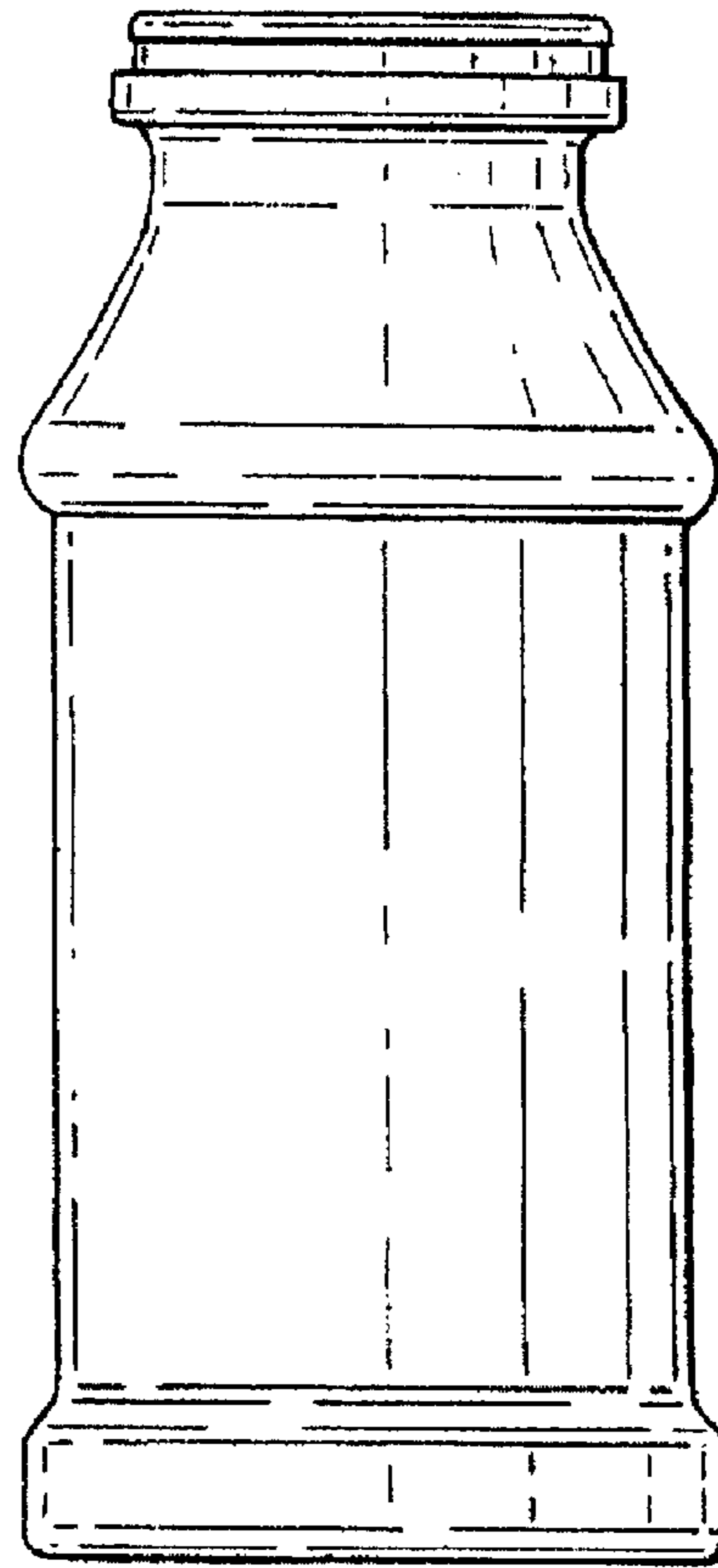


Fig. 2.

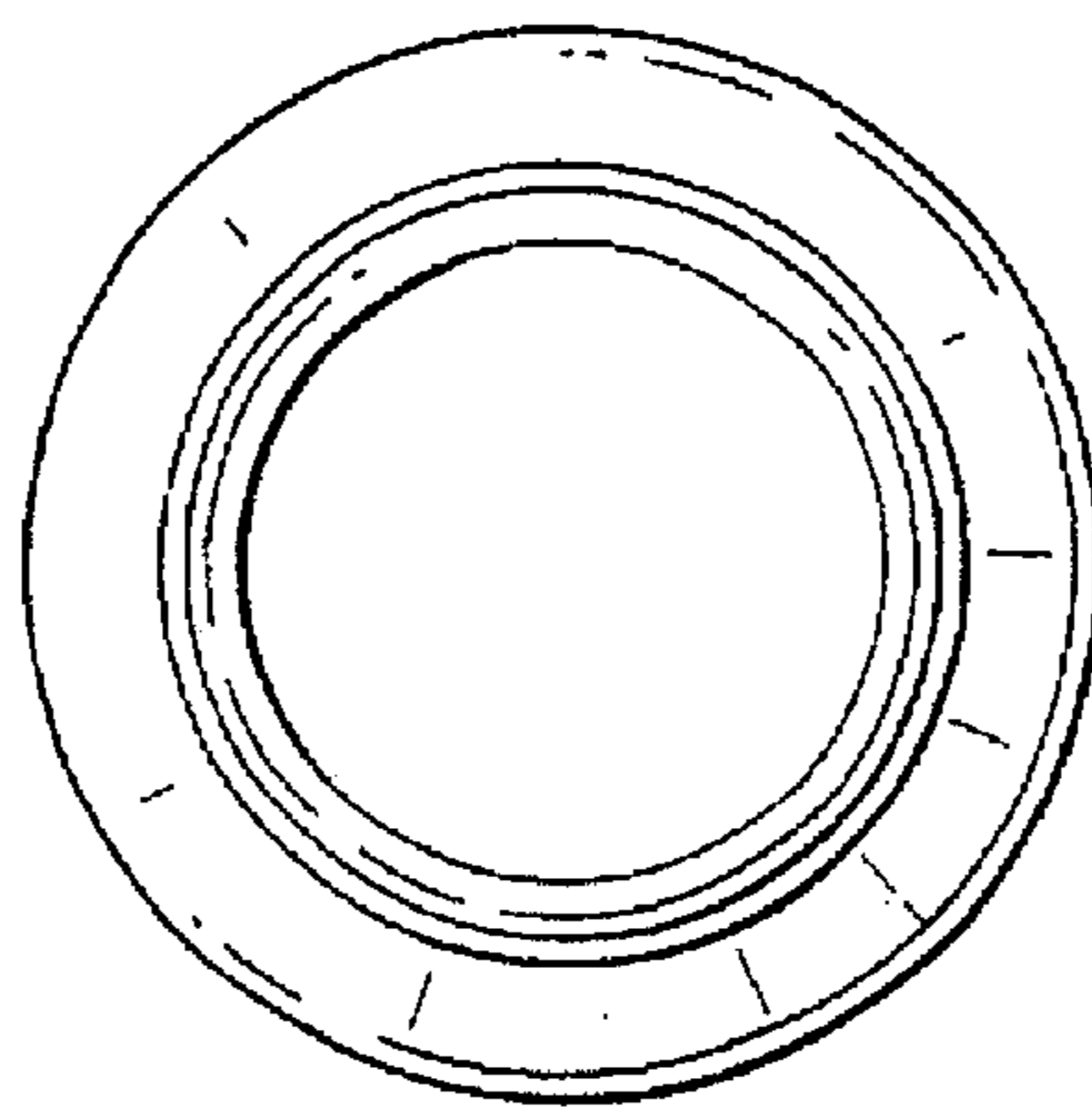


Fig. 3.

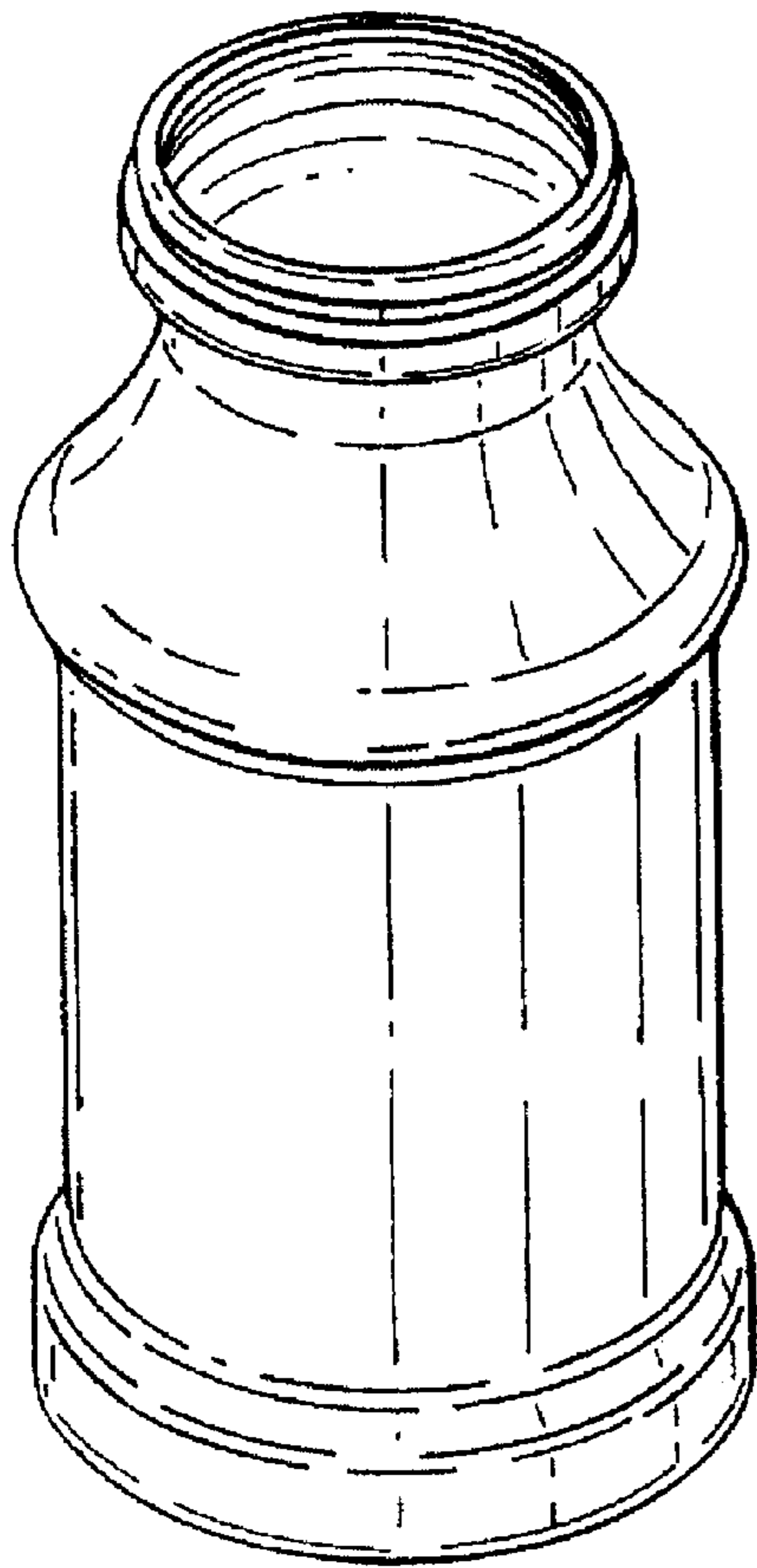


Fig.4.

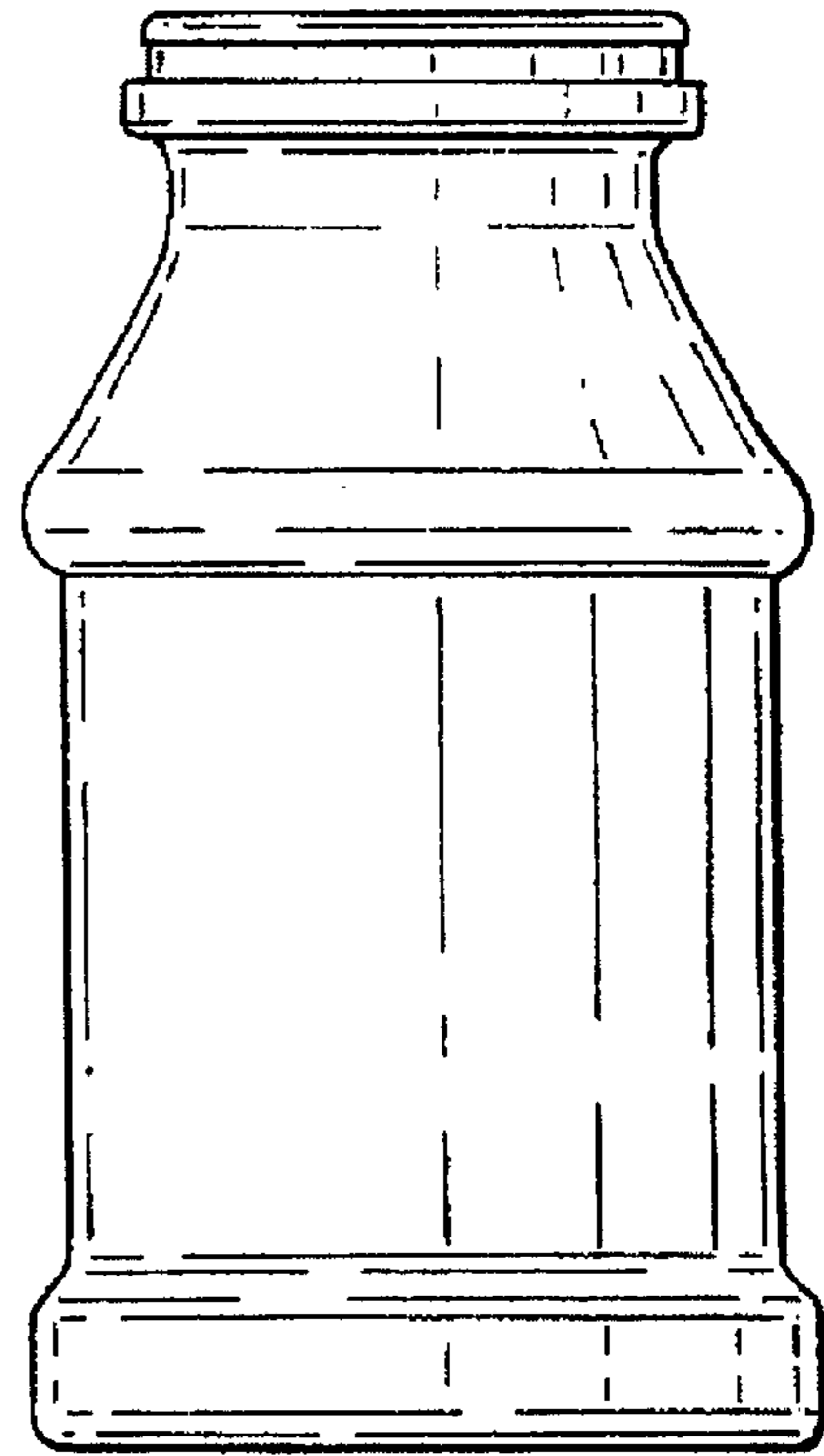


Fig.5.

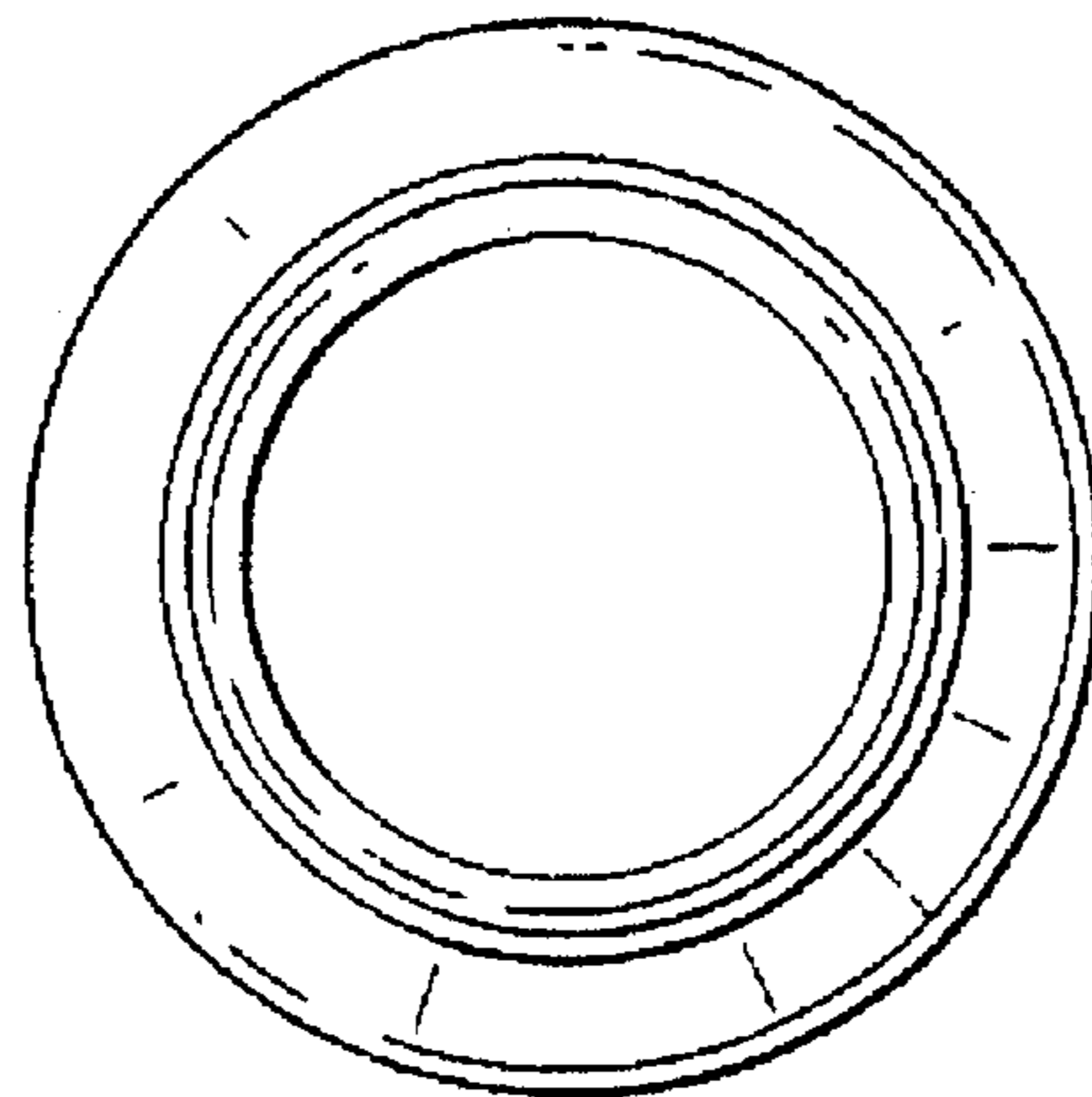


Fig.6.