

US00D544347S

(12) **United States Design Patent**
Last

(10) **Patent No.:** **US D544,347 S**
(45) **Date of Patent:** **** Jun. 12, 2007**

- (54) **CAP/CLOSURE**
- (75) Inventor: **Laurens Last**, Monaco (MC)
- (73) Assignee: **IPN IB B.V.**, Houten (NL)
- (**) Term: **14 Years**
- (21) Appl. No.: **29/224,496**
- (22) Filed: **Mar. 2, 2005**
- (30) **Foreign Application Priority Data**

| | | | | | |
|-------------|---|---------|---------------|-------|---------|
| D329,980 S | * | 10/1992 | Powell et al. | | D9/443 |
| D336,247 S | * | 6/1993 | Solomon | | D9/435 |
| 5,358,129 A | * | 10/1994 | Watts | | 215/206 |
| D374,623 S | * | 10/1996 | Rafferty | | D9/443 |
| D381,907 S | * | 8/1997 | King | | D9/443 |
| D411,451 S | * | 6/1999 | Young | | D9/443 |
| D447,413 S | * | 9/2001 | DuCorday | | D9/443 |
| D454,061 S | * | 3/2002 | Davis | | D9/645 |
| D454,066 S | * | 3/2002 | Trabal | | D9/443 |
| D458,134 S | * | 6/2002 | Berish et al. | | D9/443 |
| D478,508 S | * | 8/2003 | Kumakura | | D9/451 |
| D485,757 S | * | 1/2004 | Roth et al. | | D9/443 |
| D489,971 S | * | 5/2004 | Tamez | | D9/645 |

Sep. 3, 2004 (EM) 000222104

* cited by examiner

- (51) **LOC (8) Cl.** **09-07**
- (52) **U.S. Cl.** **D9/436; D9/443; D9/444**
- (58) **Field of Classification Search** D9/434,
D9/435, 441, 443, 444, 452, 613, 645, 451,
D9/445, 433; 215/355-364, 305, 296, 295,
215/252; D7/710, 659, 656, 651, 628, 619.2,
D7/613, 606, 604, 595, 594, 393, 301
See application file for complete search history.

Primary Examiner—Robert M. Spear
Assistant Examiner—Susan Bennett Hattan
 (74) *Attorney, Agent, or Firm*—Troutman Sanders LLP;
 Ryan A. Schneider; James Hunt Yancey, Jr.

(57) **CLAIM**

The ornamental design for cap/closure, as shown and described.

DESCRIPTION

FIG. 1 is a front view of a cap/closure showing my new design;
 FIG. 2 is a perspective view thereof;
 FIG. 3 is a top view thereof; and,
 FIG. 4 is side view thereof.

1 Claim, 2 Drawing Sheets

- (56) **References Cited**
- U.S. PATENT DOCUMENTS
- D74,568 S * 2/1928 Huston D9/613
- D76,639 S * 10/1928 Scheicher D9/613
- 2,355,492 A * 8/1944 White 215/360
- 2,479,862 A * 9/1949 Payne 215/359
- D167,207 S * 7/1952 Haars D7/624.3

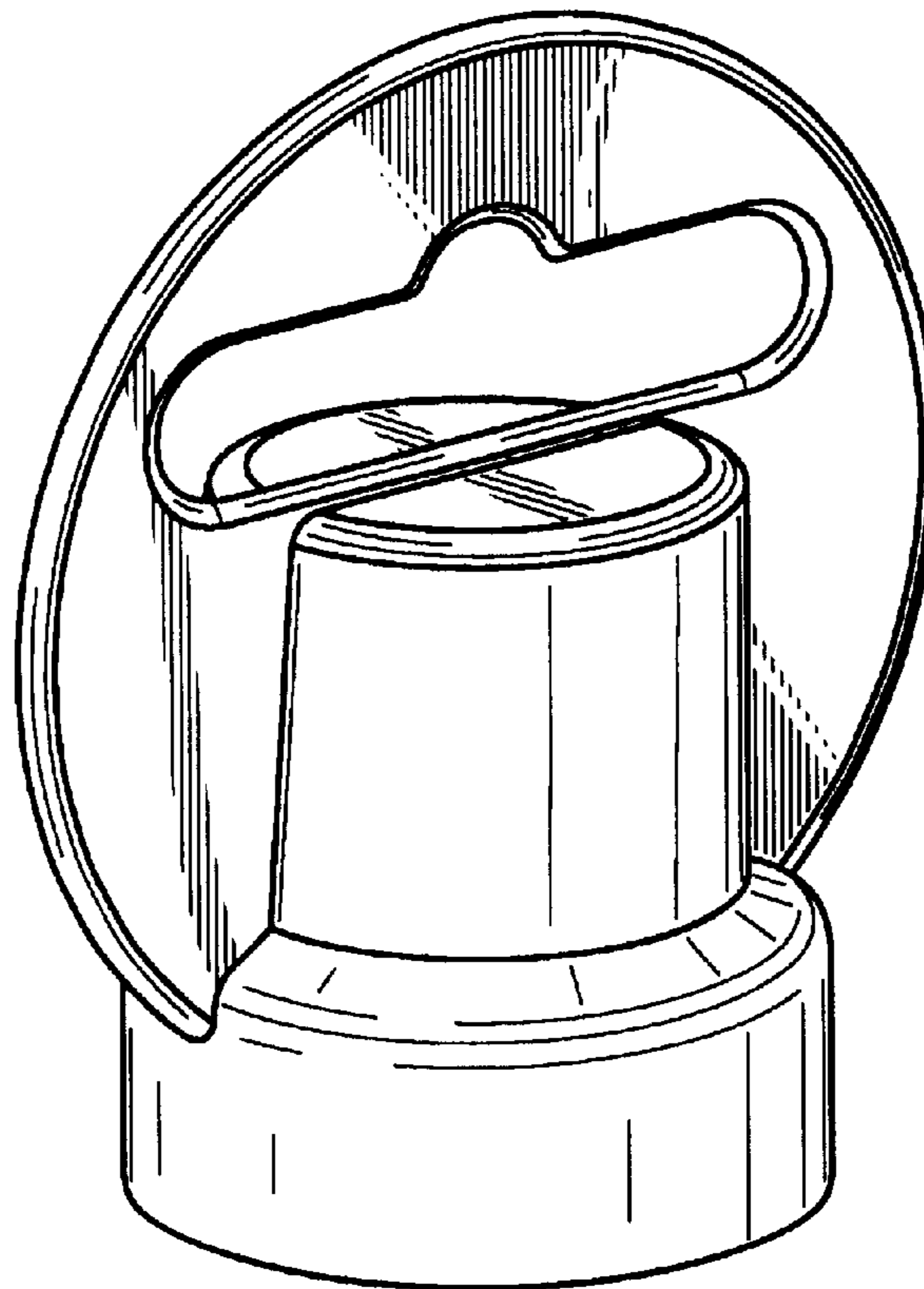


Fig. 1

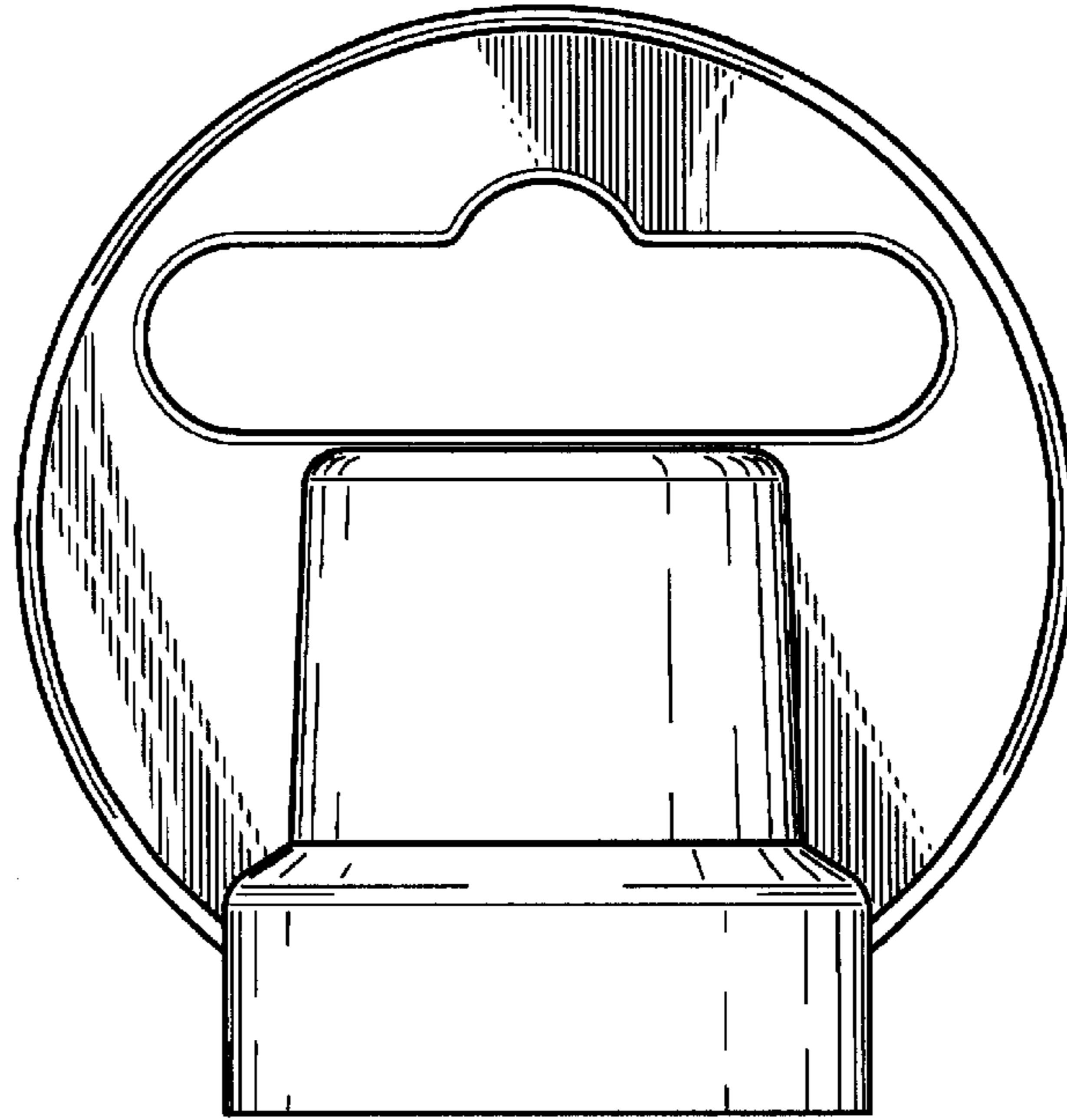
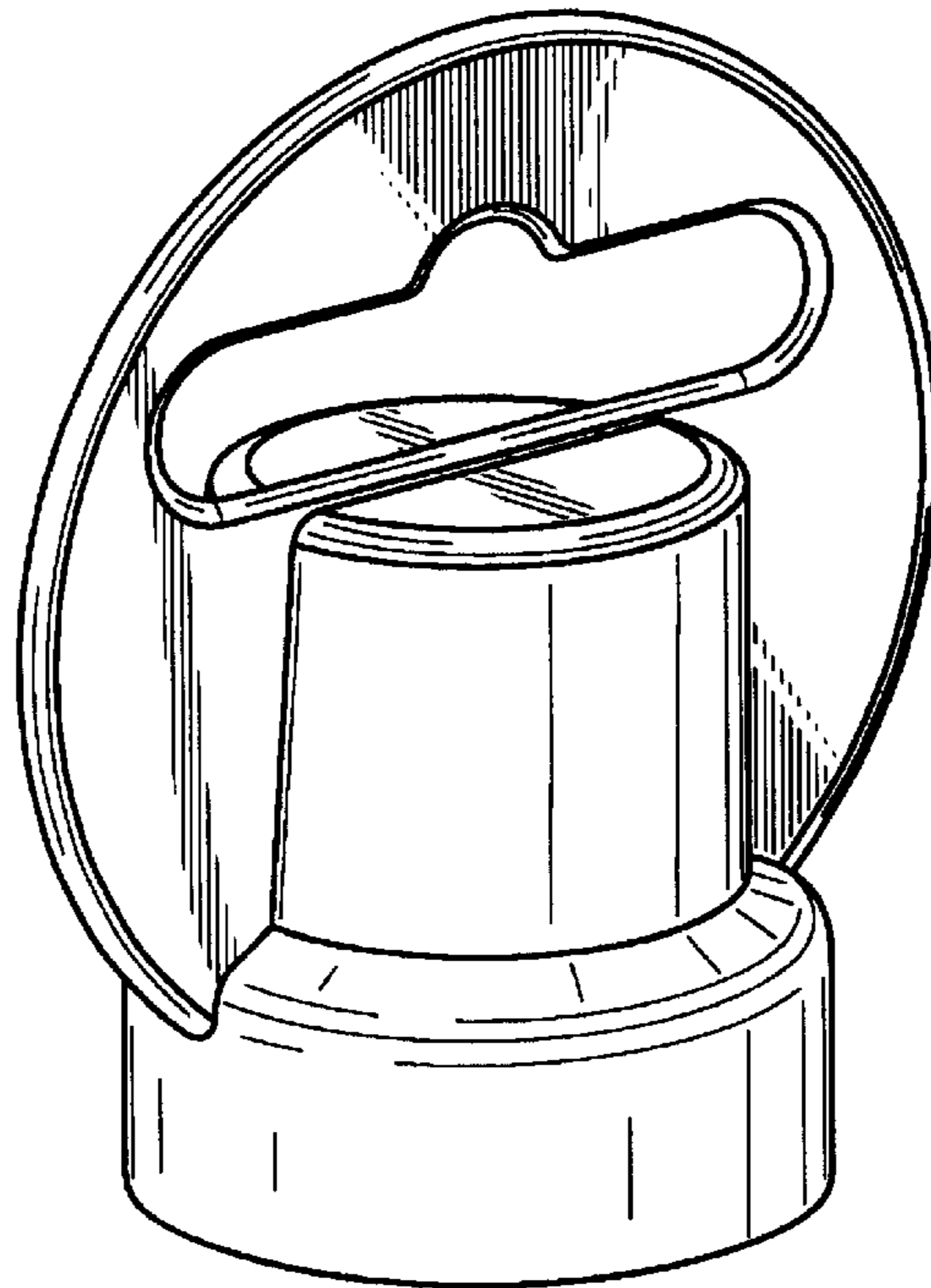


Fig. 2



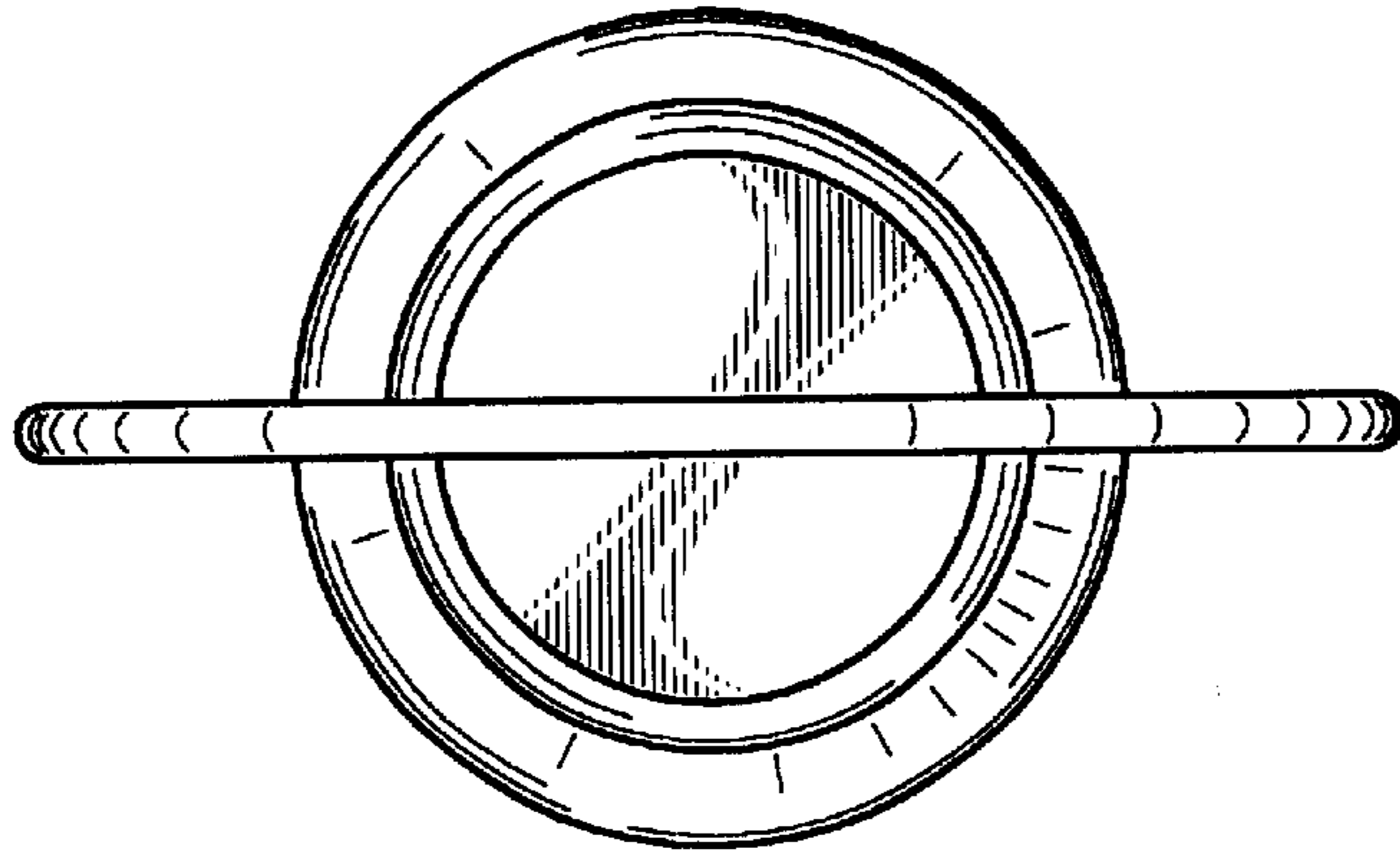


Fig. 3

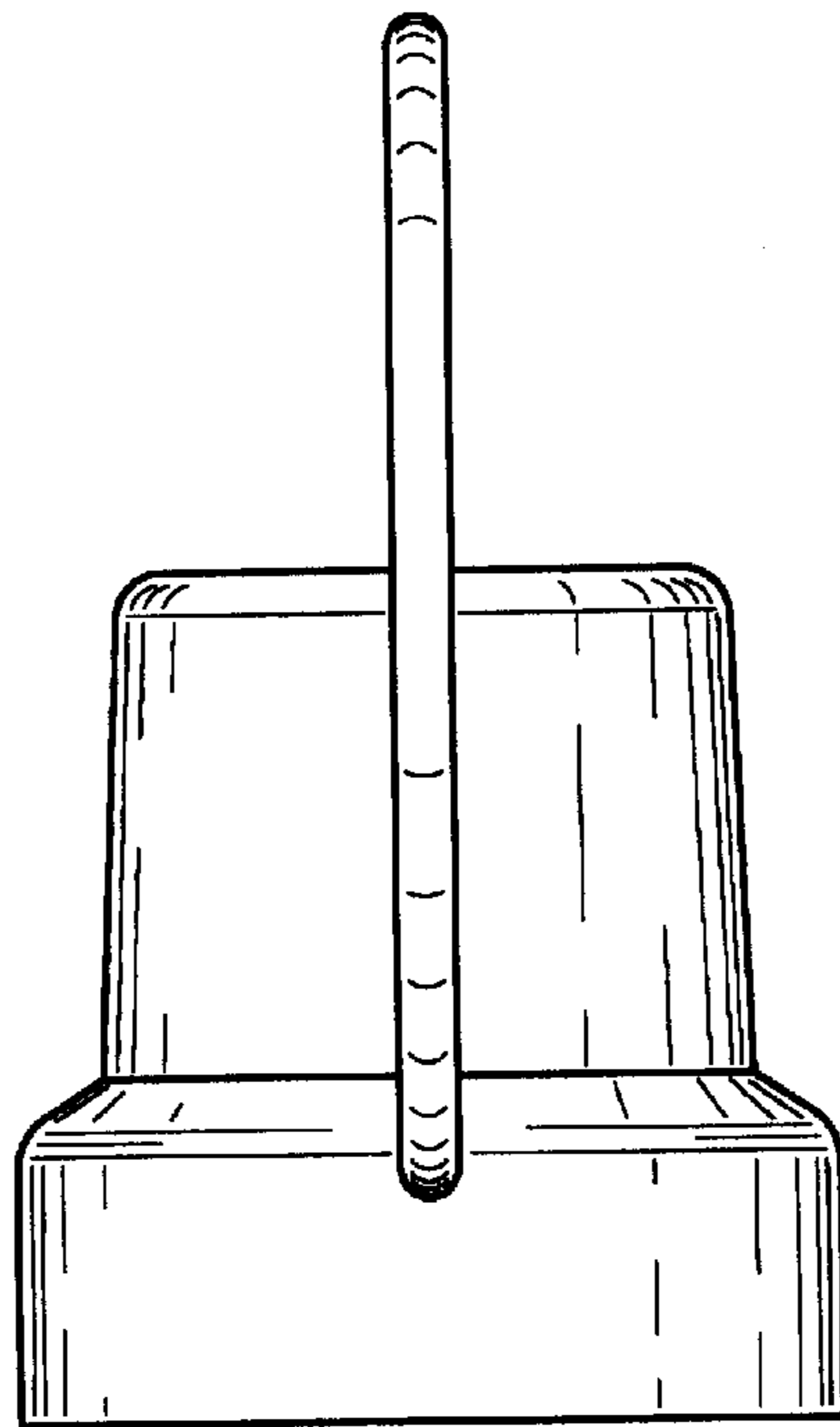


Fig. 4