

US00D544346S

(12) **United States Design Patent**
Karussi et al.

(10) **Patent No.:** **US D544,346 S**
(45) **Date of Patent:** **** Jun. 12, 2007**

(54) **WIPES DISPENSING CONTAINER**

(75) Inventors: **Kurt Alfred Karussi**, Cincinnati, OH (US); **Gregory deSwarte**, Cincinnati, OH (US); **Yarron Bendor**, Scottsdale, AZ (US); **Marcia Jo Cole-Yocom**, Scottsdale, AZ (US); **Donna Marie Barker**, Mesa, AZ (US); **Allen Chandler Young**, Capitola, CA (US); **Stephano Bartolucci**, London (GB); **Johannes Lambertus Maria Mensink**, Tervuren (BE); **Rached Menif**, Longueville (BE)

(73) Assignee: **The Procter & Gamble Company**, Cincinnati, OH (US)

(**) Term: **14 Years**

(21) Appl. No.: **29/244,613**

(22) Filed: **Dec. 12, 2005**

(51) **LOC (8) Cl.** **09-07**

(52) **U.S. Cl.** **D9/434; D9/447**

(58) **Field of Classification Search** D9/752, D9/734, 499, 434, 428, 417; D7/622, 619.1; D3/327; 294/87.2; 221/63; 229/922; 224/904
See application file for complete search history.

(56) **References Cited**

U.S. PATENT DOCUMENTS

1,993,885 A	3/1935	Horwitt
2,640,587 A	6/1953	Smith
2,852,158 A	9/1958	Jones et al.
3,002,799 A	10/1961	Kantor et al.
3,098,594 A	7/1963	Williamson
3,862,703 A	1/1975	Dutcher
3,982,659 A	9/1976	Ross
4,138,034 A	2/1979	McCarthy
4,191,609 A	3/1980	Trokhan
4,526,291 A	7/1985	Margulies
4,534,491 A	8/1985	Norton
4,623,074 A	11/1986	Dearwester
4,637,859 A	1/1987	Trokhan

4,706,844 A	11/1987	Omdoll et al.
4,854,984 A	8/1989	Ball et al.
D307,555 S *	5/1990	Haenni et al. D9/447
5,332,118 A	7/1994	Muckenfuhs et al.
5,379,897 A	1/1995	Muckenfuhs et al.
5,516,001 A *	5/1996	Muckenfuhs et al. 221/63
5,520,308 A	5/1996	Berg
5,729,955 A *	3/1998	Yamada 53/412

(Continued)

FOREIGN PATENT DOCUMENTS

EP 1258436 A1 6/2006

(Continued)

OTHER PUBLICATIONS

US 5,699,911, 12/1997, Joseph (withdrawn)

Primary Examiner—Robert M. Spear

Assistant Examiner—Susan Bennett Hattan

(74) *Attorney, Agent, or Firm*—Larry L. Huston

(57)

CLAIM

The ornamental design for a wipes dispensing container, as shown and described.

DESCRIPTION

FIG. 1 is an isometric view of the wipes dispensing container, embodying the new design;

FIG. 2 is a front view thereof;

FIG. 3 is a back thereof;

FIG. 4 is a right view thereof;

FIG. 5 is a left view thereof;

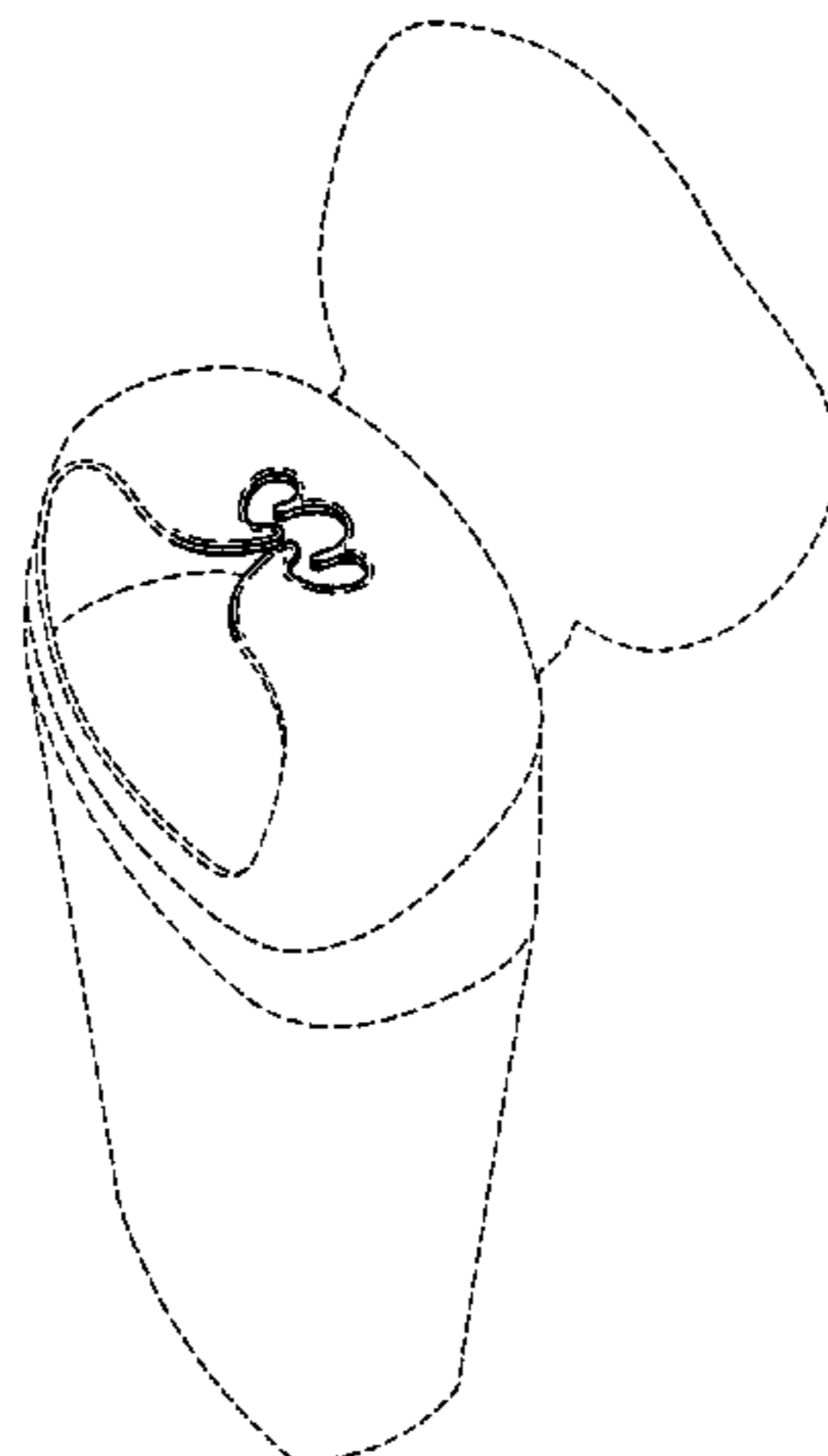
FIG. 6 is a top view thereof; and,

FIG. 7 is a bottom view thereof.

The broken lines shown in the drawings are for illustrative purposes only and form no part of the claimed design.

The claimed design is bounded by and includes the shaded areas on the drawings.

1 Claim, 4 Drawing Sheets



US D544,346 S

Page 2

U.S. PATENT DOCUMENTS

6,015,045 A 1/2000 Joseph
6,092,690 A 7/2000 Bitowft
6,182,858 B1 * 2/2001 Hartog 221/63
6,202,845 B1 3/2001 Hill
6,213,344 B1 4/2001 Hill
D447,945 S * 9/2001 Tsuruishi et al. D9/434
6,299,017 B1 10/2001 Hill
6,315,151 B1 11/2001 Hupp
6,409,044 B1 * 6/2002 Brown et al. 221/63
6,550,634 B1 4/2003 De Miquel
D479,996 S * 9/2003 Geib D9/447
D498,623 S * 11/2004 Sams et al. D9/435
6,902,077 B1 6/2005 Tack
6,960,349 B2 11/2005 Shantz
D531,499 S * 11/2006 Zaidman D9/434
2002/0108962 A1 8/2002 Mangin
2003/0006253 A1 1/2003 Yelton

2005/0035134 A1 2/2005 Gamoff
2005/0279757 A1 12/2005 Bitowft

FOREIGN PATENT DOCUMENTS

FR 2.128.162 10/1972
JP 06263174 9/1994
JP 08080980 3/1996
JP 08091454 4/1996
JP 11193044 7/1999
JP 2002166981 6/2002
JP 2004262461 9/2004
WO WO 95/25668 9/1995
WO WO 96/27540 9/1996
WO WO 98/19946 5/1998
WO WO 00/33713 6/2000
WO WO 02/064008 8/2002
WO WO 2006/035697 9/2005

* cited by examiner

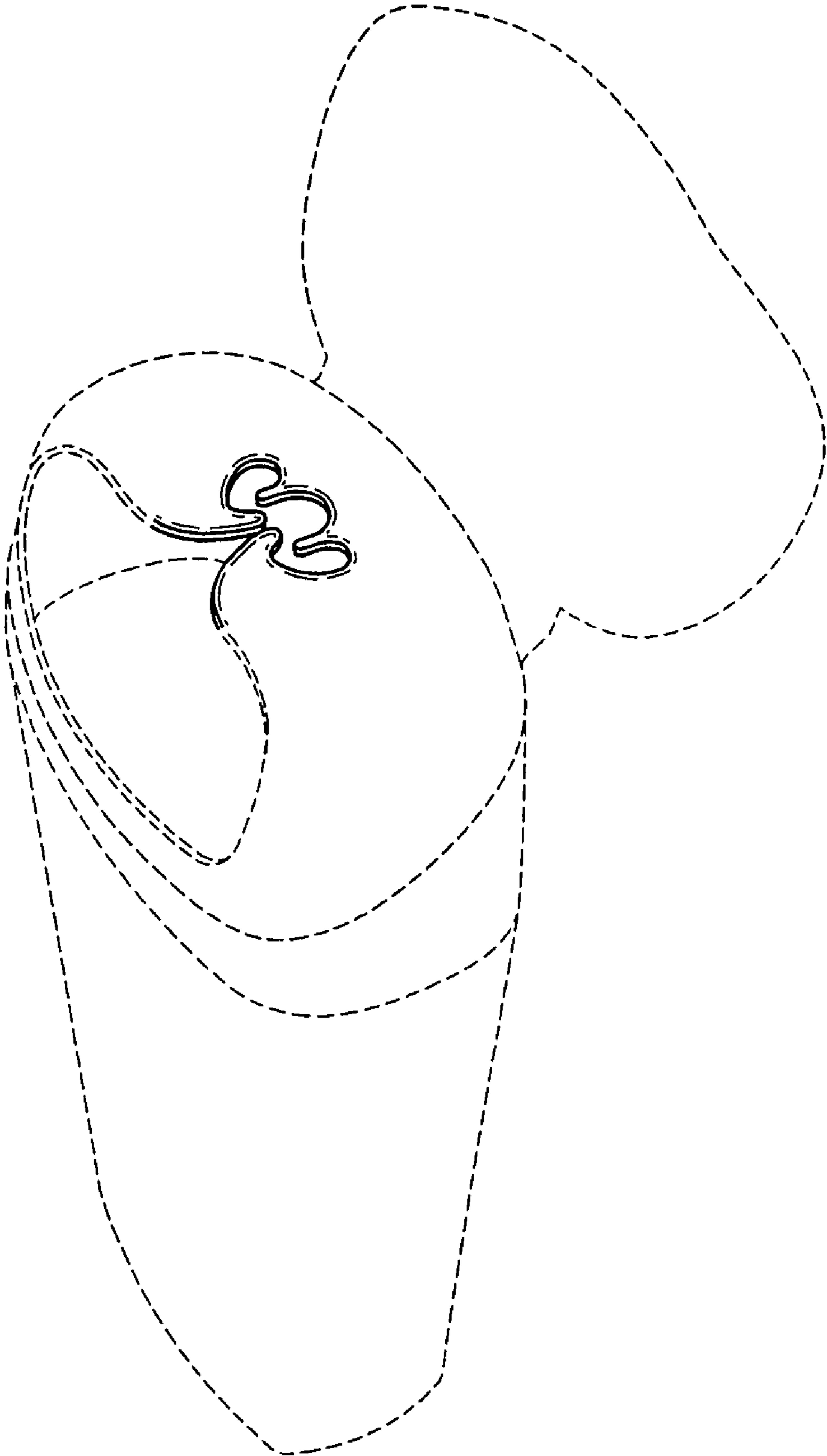


Fig. 1.

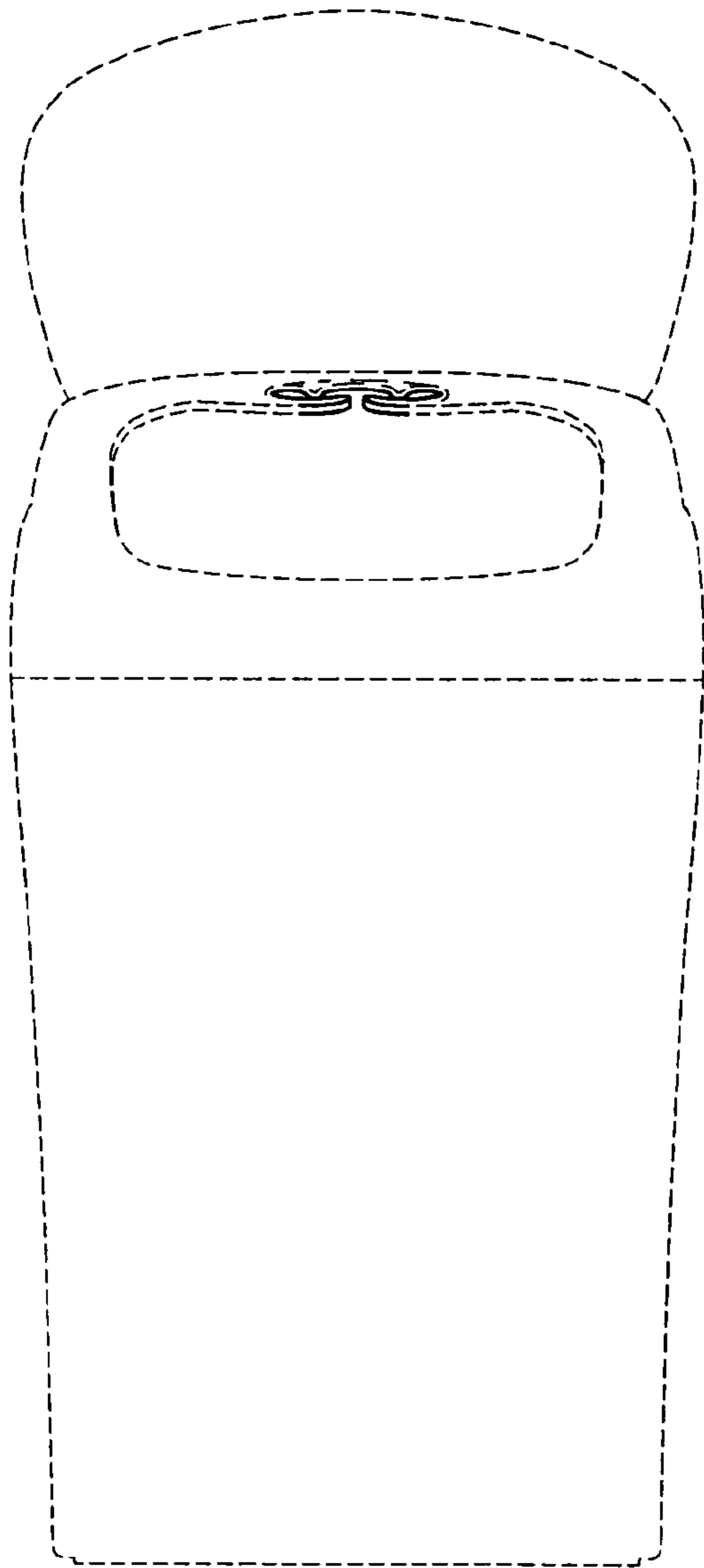


Fig.2.

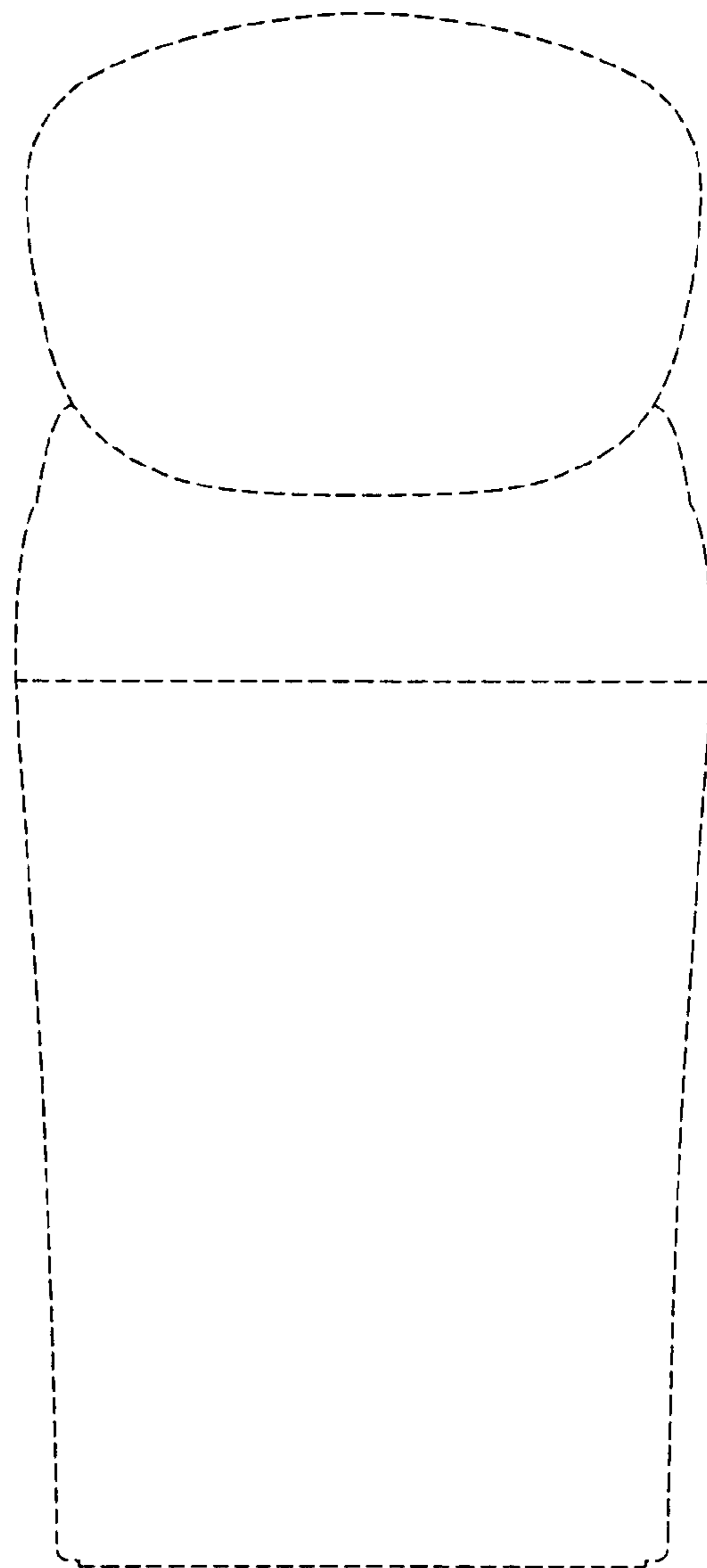


Fig.3.

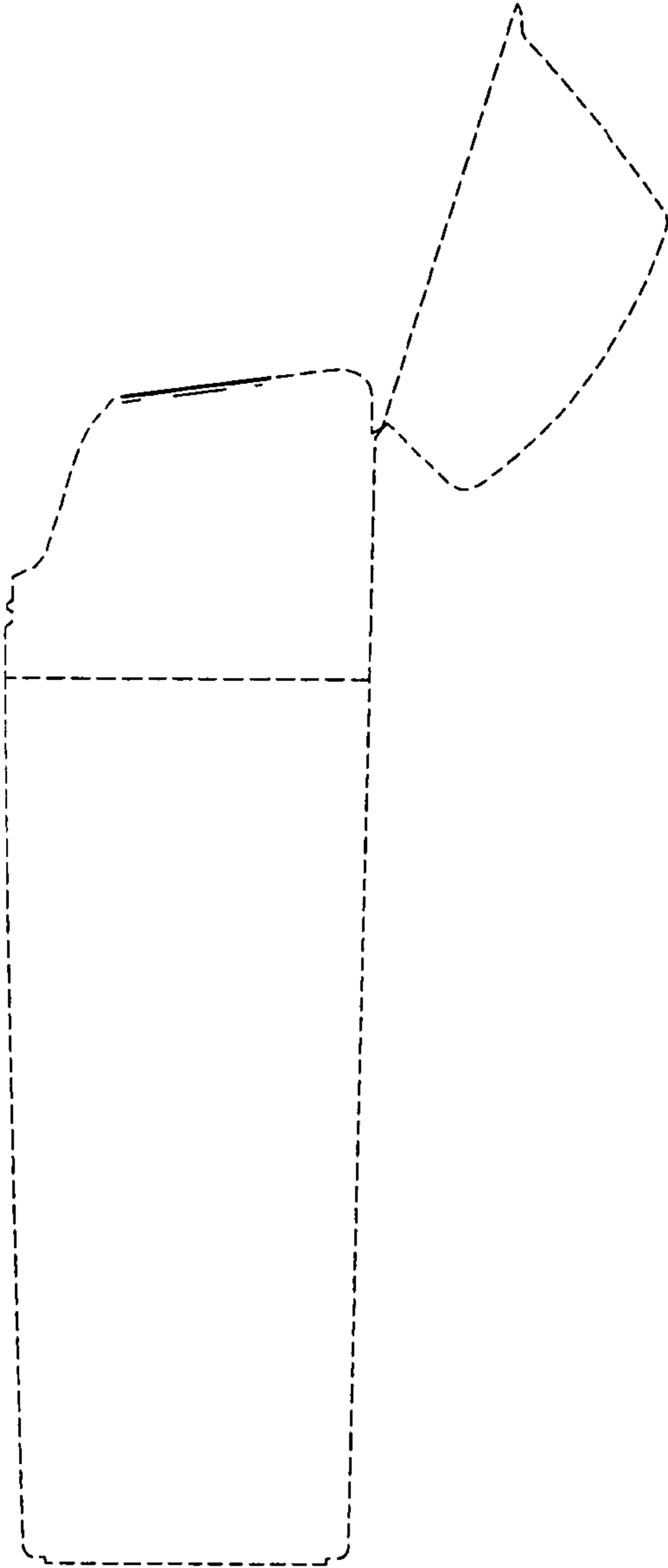


Fig.4.

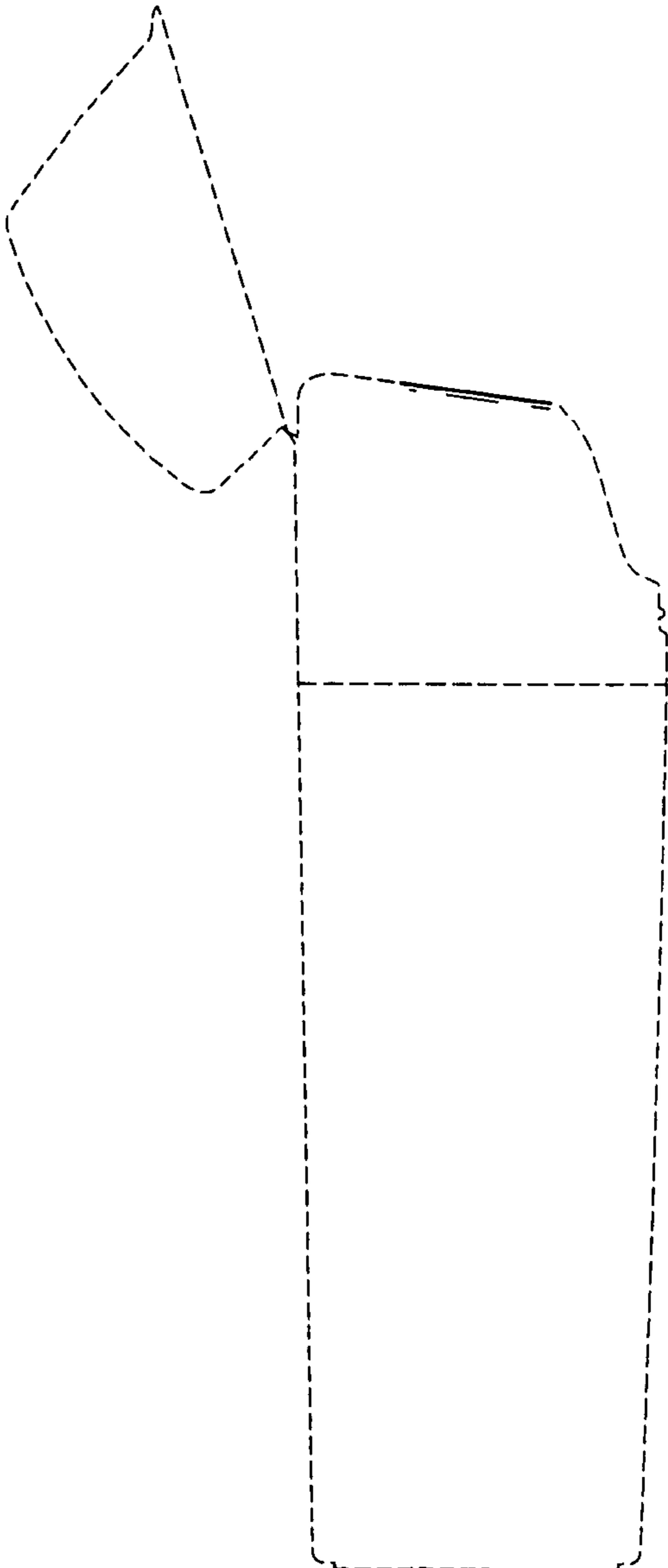


Fig.5.

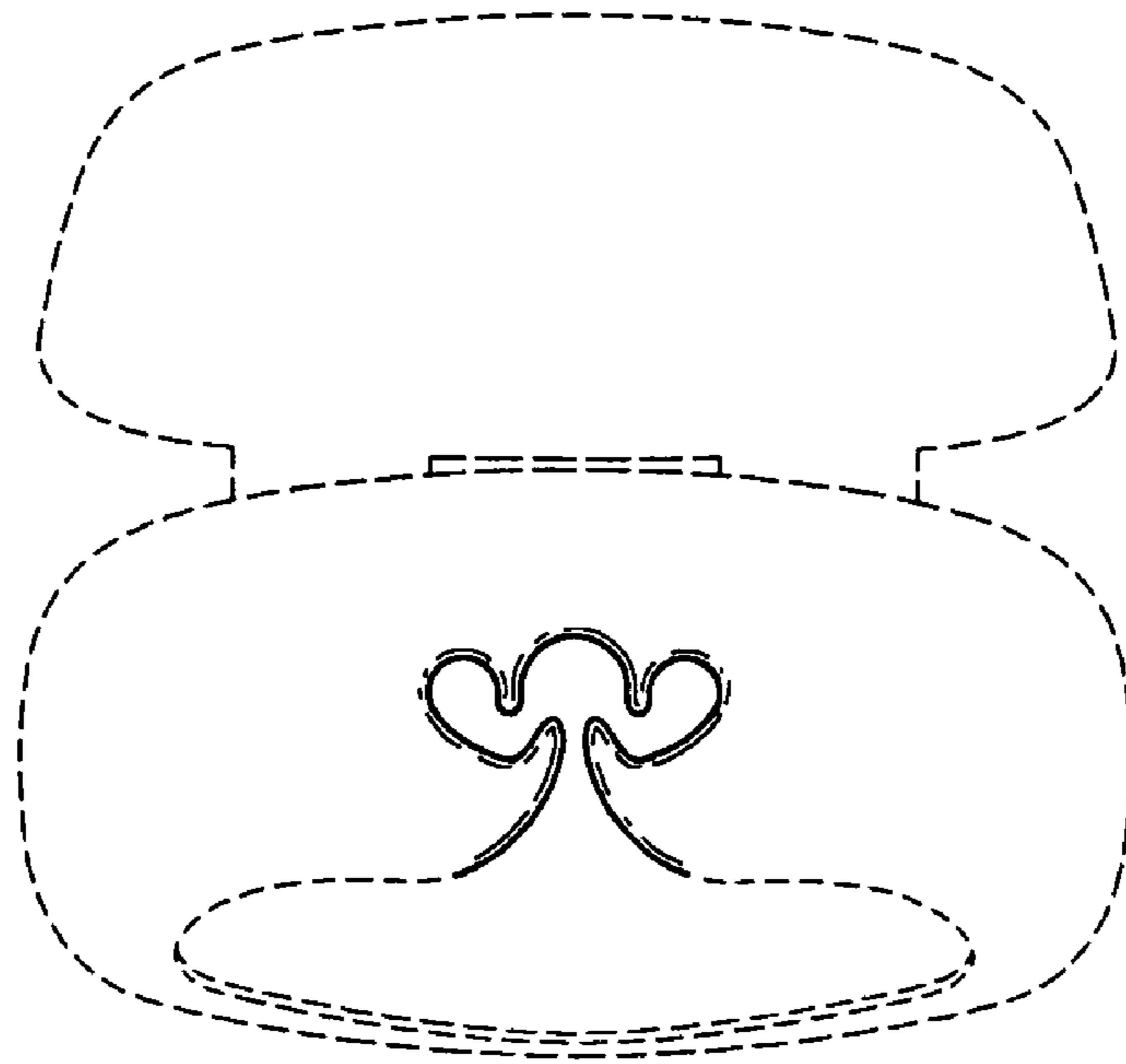


Fig.6.

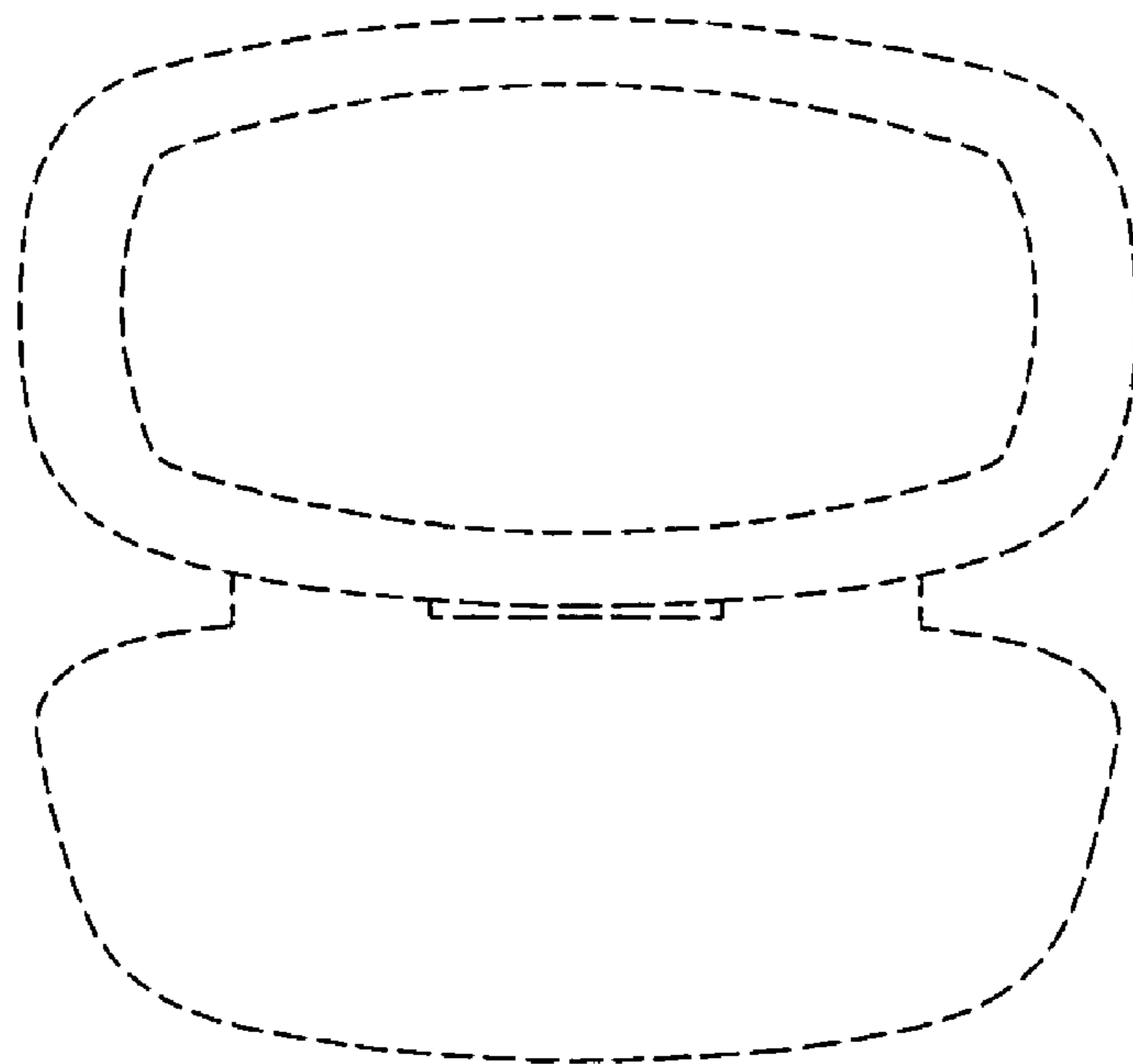


Fig.7.