



US00D544339S

(12) **United States Design Patent**
Huang et al.

(10) **Patent No.: US D544,339 S**

(45) **Date of Patent: ** Jun. 12, 2007**

(54) **FIXTURE DEVICE**

(76) Inventors: **Te-Ming Huang**, 5F-11, No. 16, Lane 609, Sec. 5, Chung-Hsin Rd., San Chung City, Taipei Hsien (TW); **Jason Chen**, 107 Hearth Stone La., Marlton, NJ (US) 08053

(**) Term: **14 Years**

(21) Appl. No.: **29/229,122**

(22) Filed: **May 3, 2005**

(51) **LOC (8) Cl.** **08-08**

(52) **U.S. Cl.** **D8/367**

(58) **Field of Classification Search** D6/553, D6/567; D8/367, 382; 211/85.1; 248/309.1
See application file for complete search history.

(56) **References Cited**

U.S. PATENT DOCUMENTS

- D251,124 S * 2/1979 Takeuchi D8/367
- 5,178,283 A * 1/1993 Ennis 211/85.1
- D346,950 S * 5/1994 Dunn et al. D8/367
- D499,635 S * 12/2004 Osborne D8/367
- 7,040,754 B2 * 5/2006 Hamaker et al. 211/85.1
- D531,487 S * 11/2006 Dretzka D8/367

D535,179 S * 1/2007 Bryant D8/367

* cited by examiner

Primary Examiner—Brian N Vinson

(57) **CLAIM**

The ornamental design for a fixture device, as shown and described.

DESCRIPTION

FIG. 1 is a top, front, and left side perspective view of a fixture device showing our new design;

FIG. 2 is a top plan view thereof;

FIG. 3 is a bottom plan view thereof;

FIG. 4 is a right side elevational view thereof;

FIG. 5 is a left side elevational view thereof;

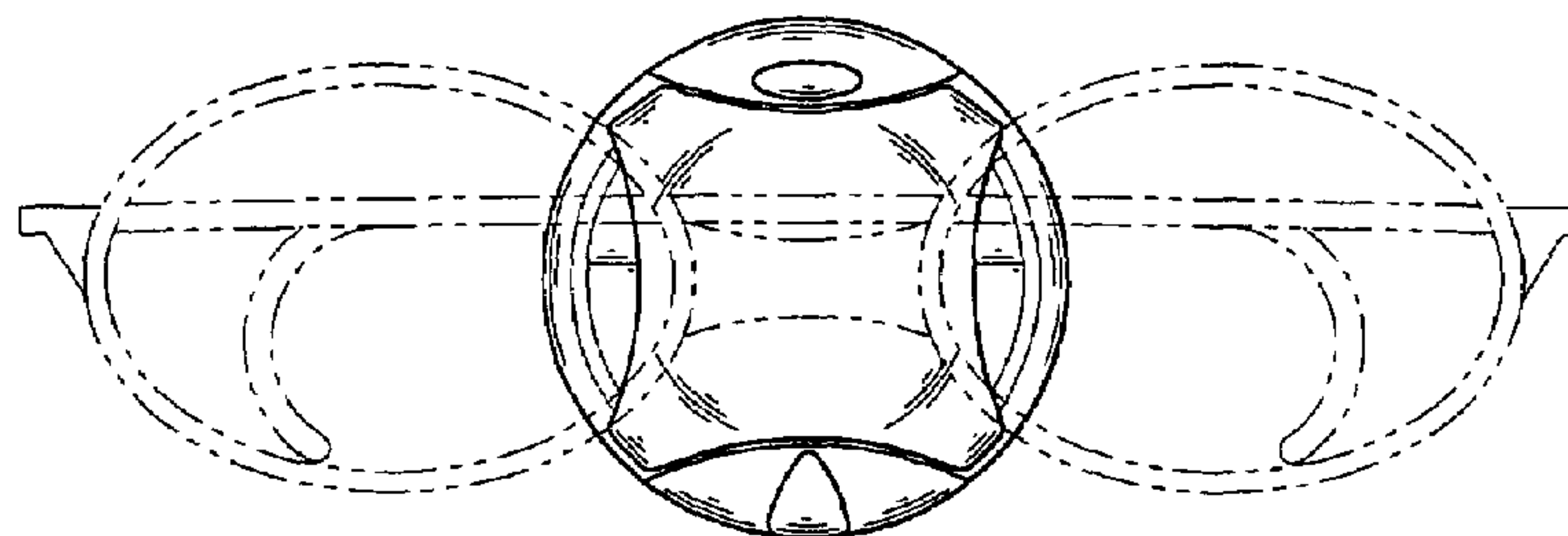
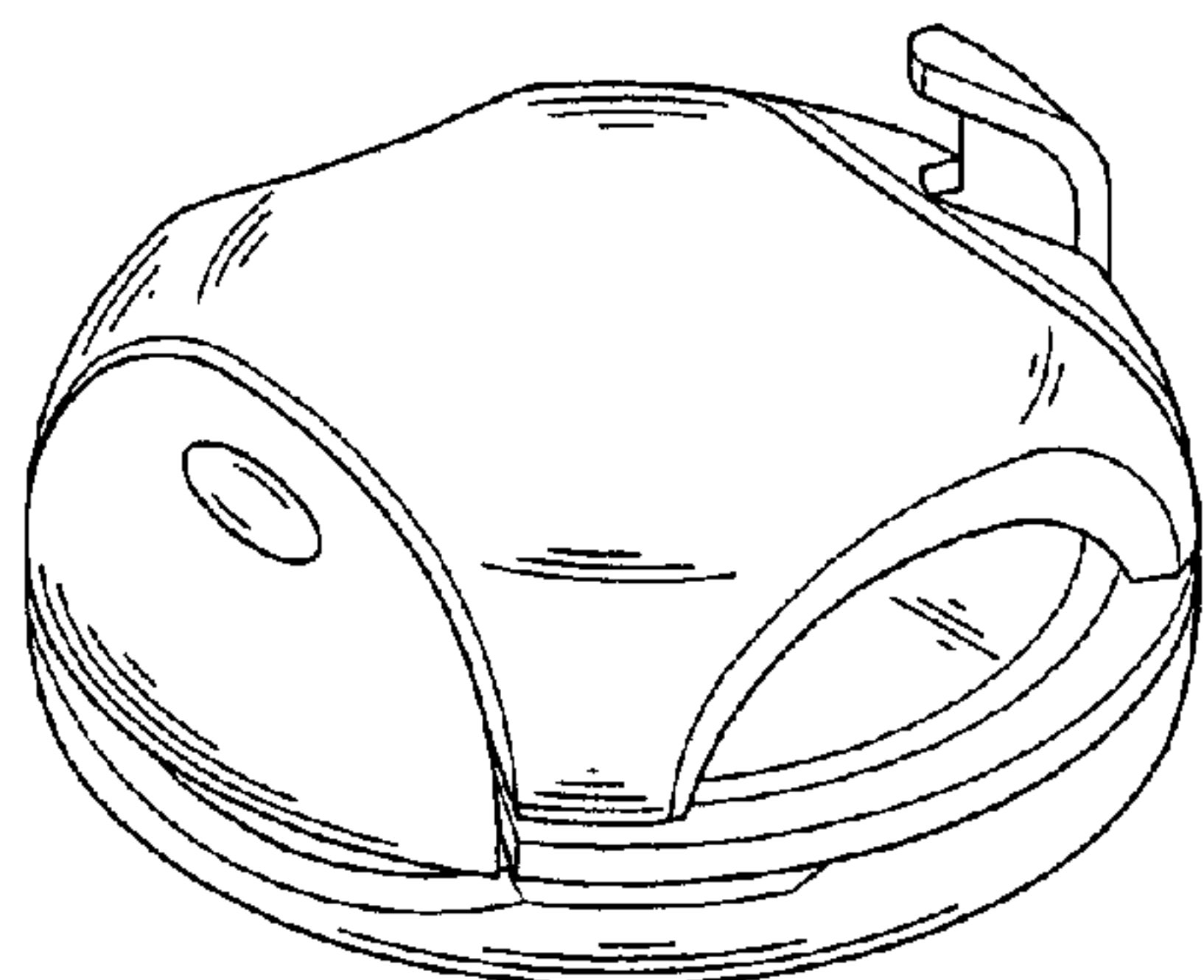
FIG. 6 is an inverted front elevational view thereof;

FIG. 7 is a rear elevational view thereof;

FIG. 8 is a front elevational view thereof, with the broken-line disclosure of a pair of eyeglasses being for illustrative purposes only and forming no part of the claimed design; and,

FIG. 9 is a left side elevational view thereof, shown in an opened position.

1 Claim, 9 Drawing Sheets



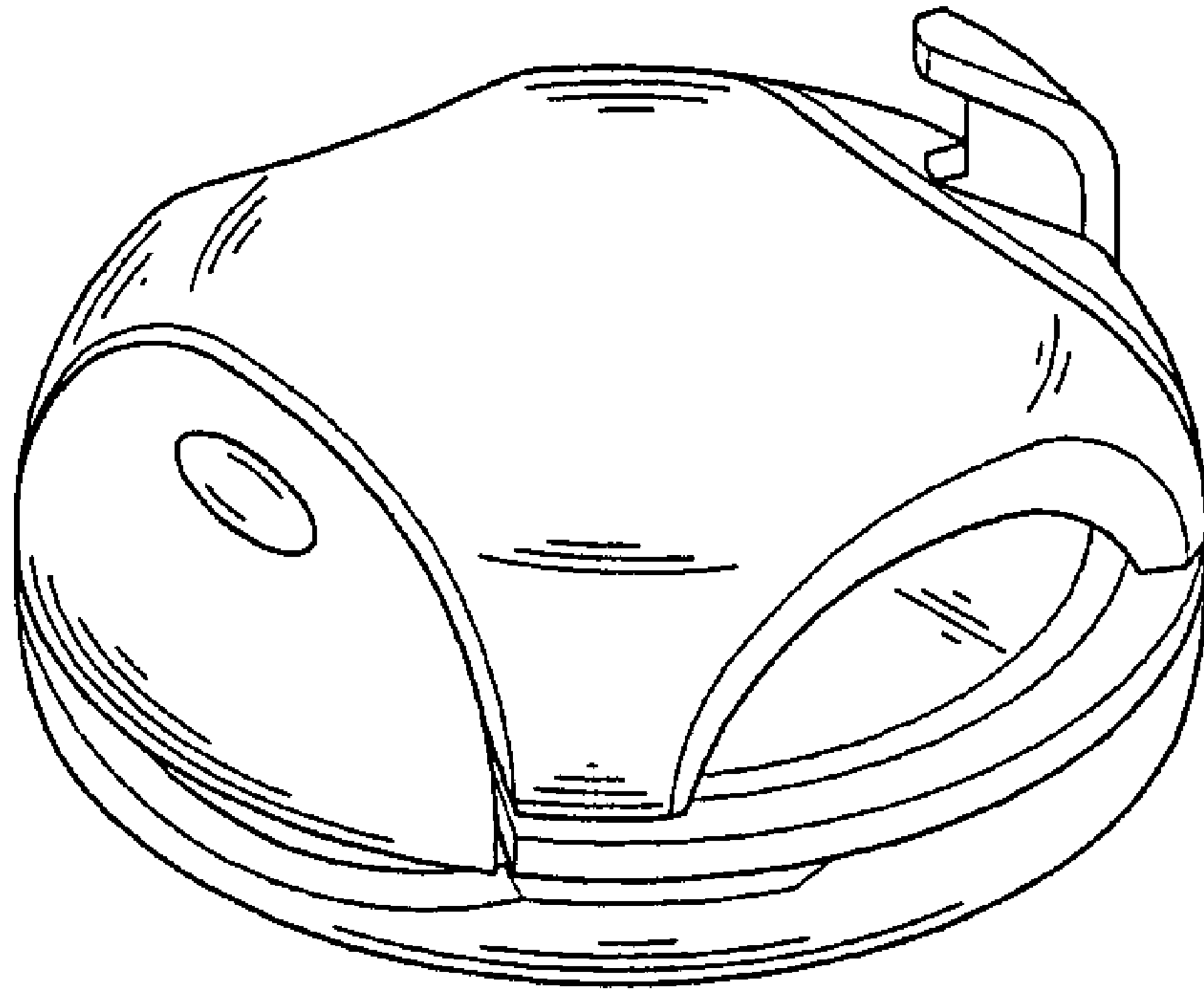


FIG. 1

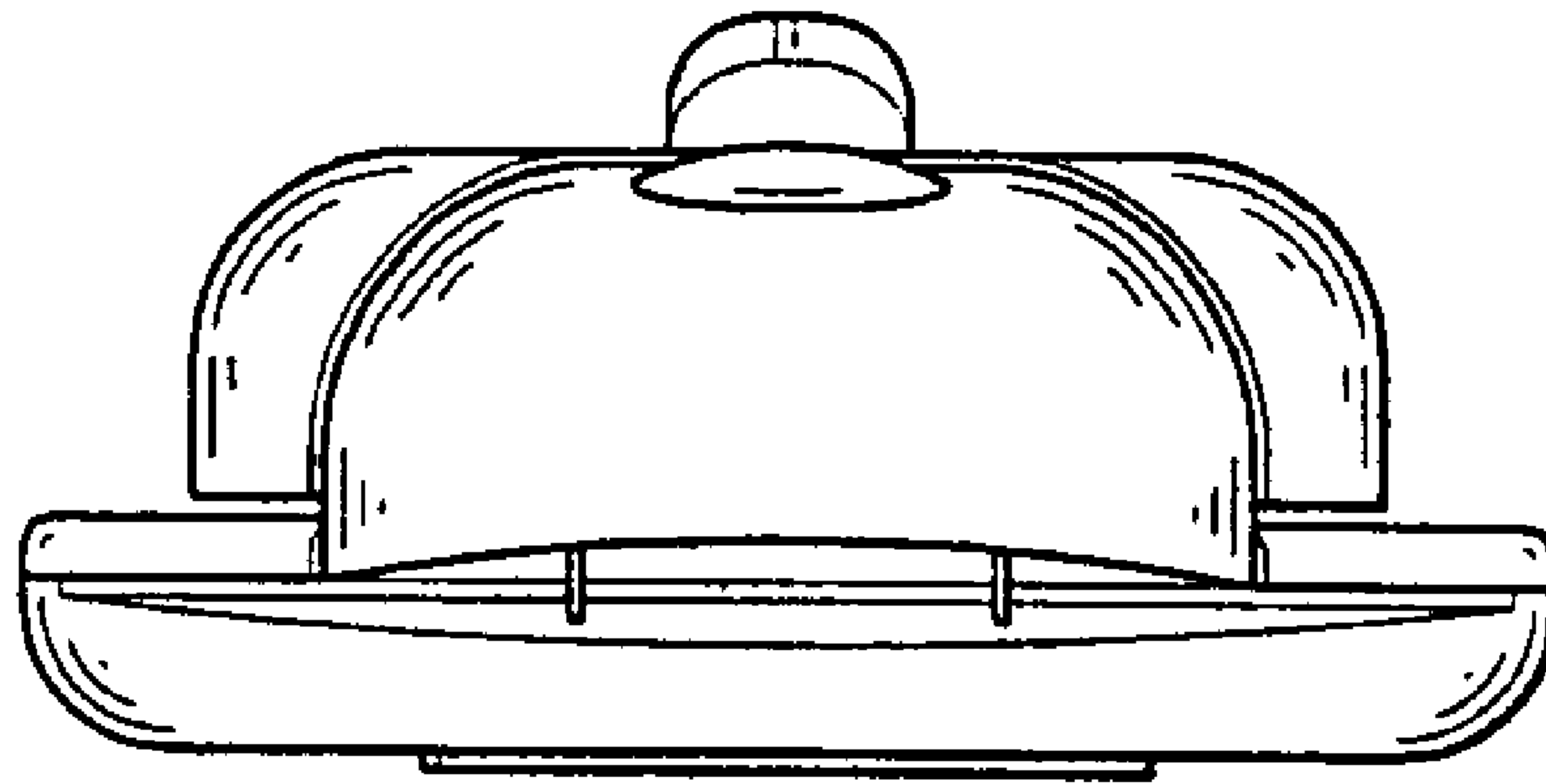


FIG. 2

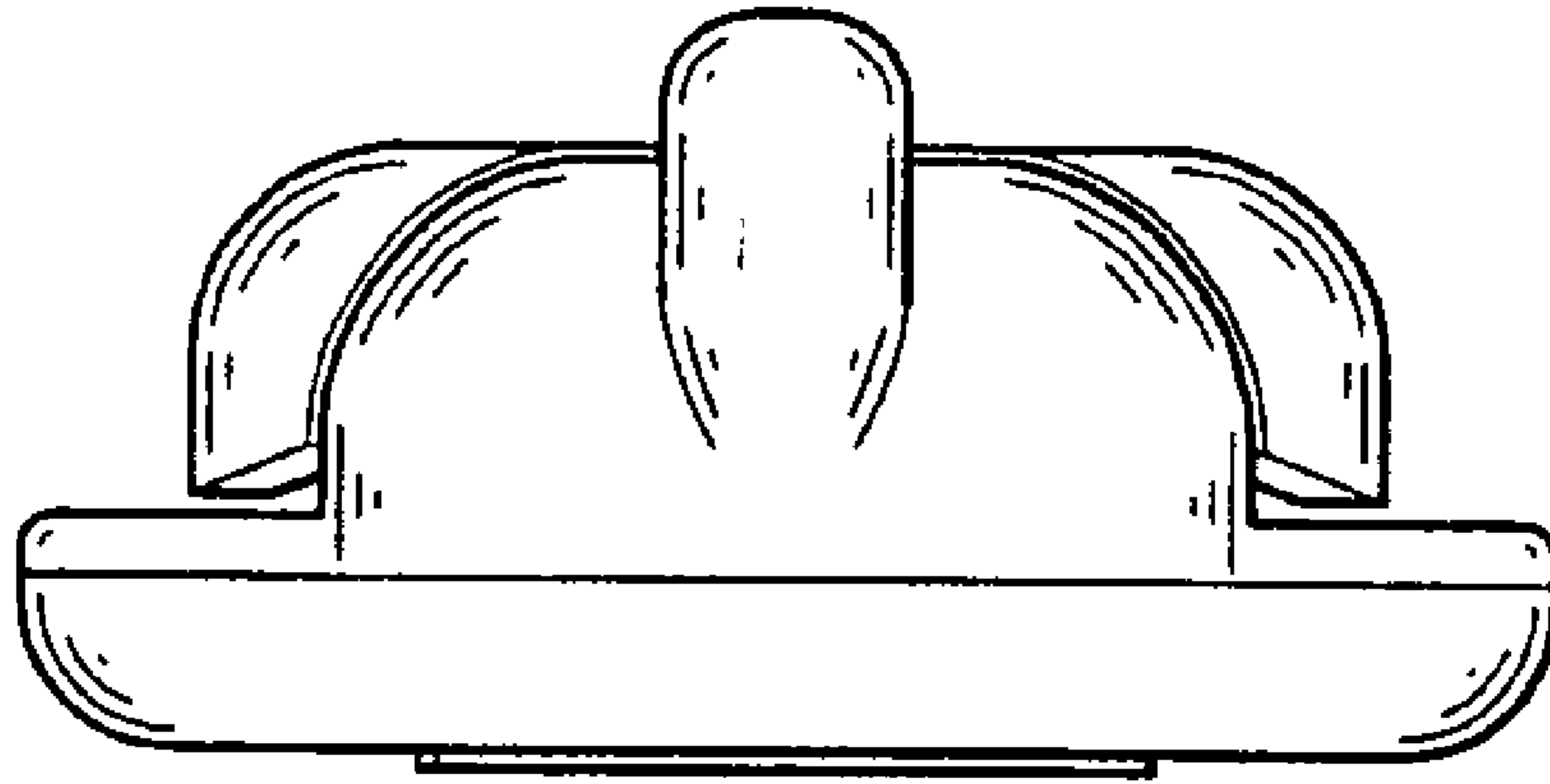


FIG. 3

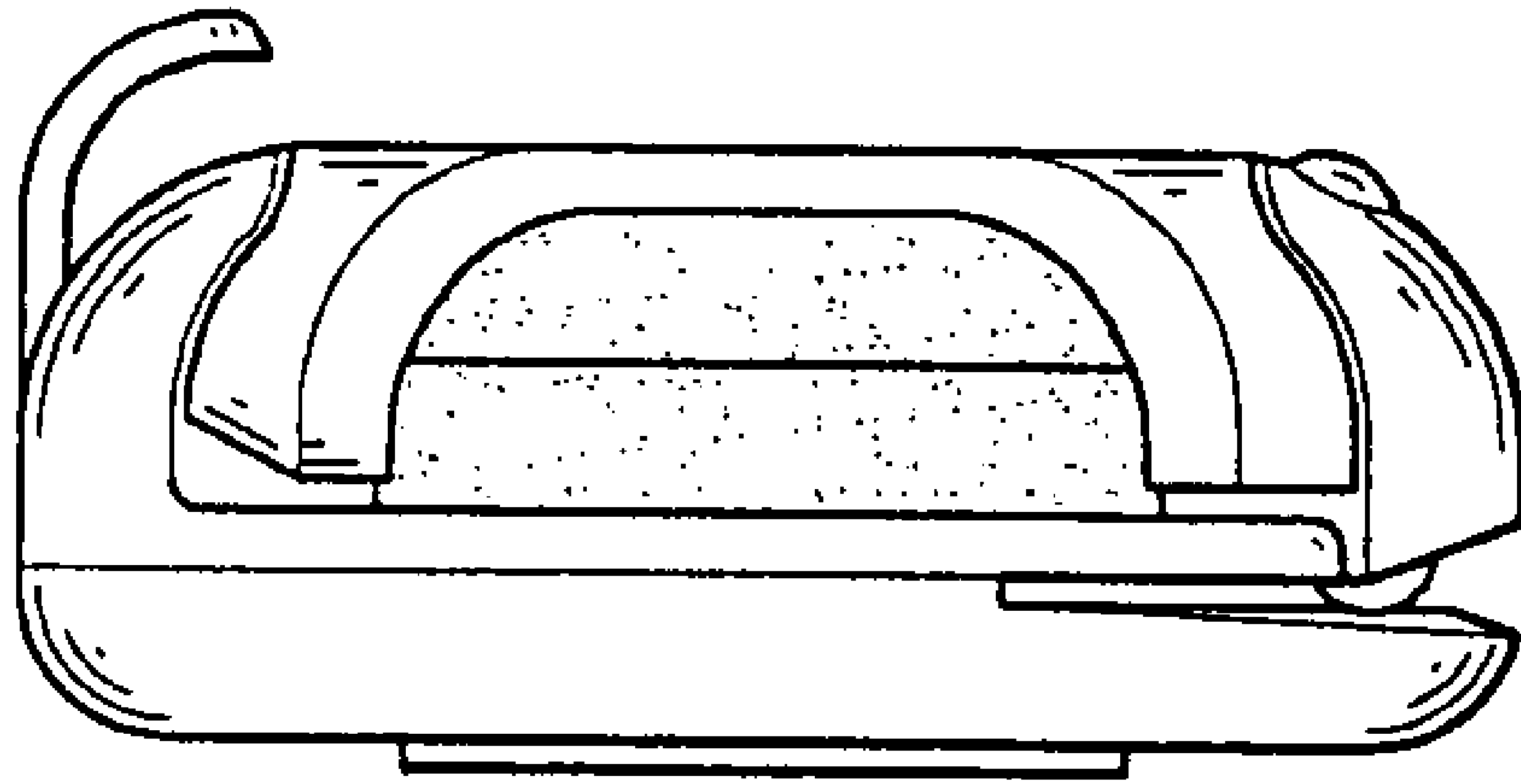


FIG. 4

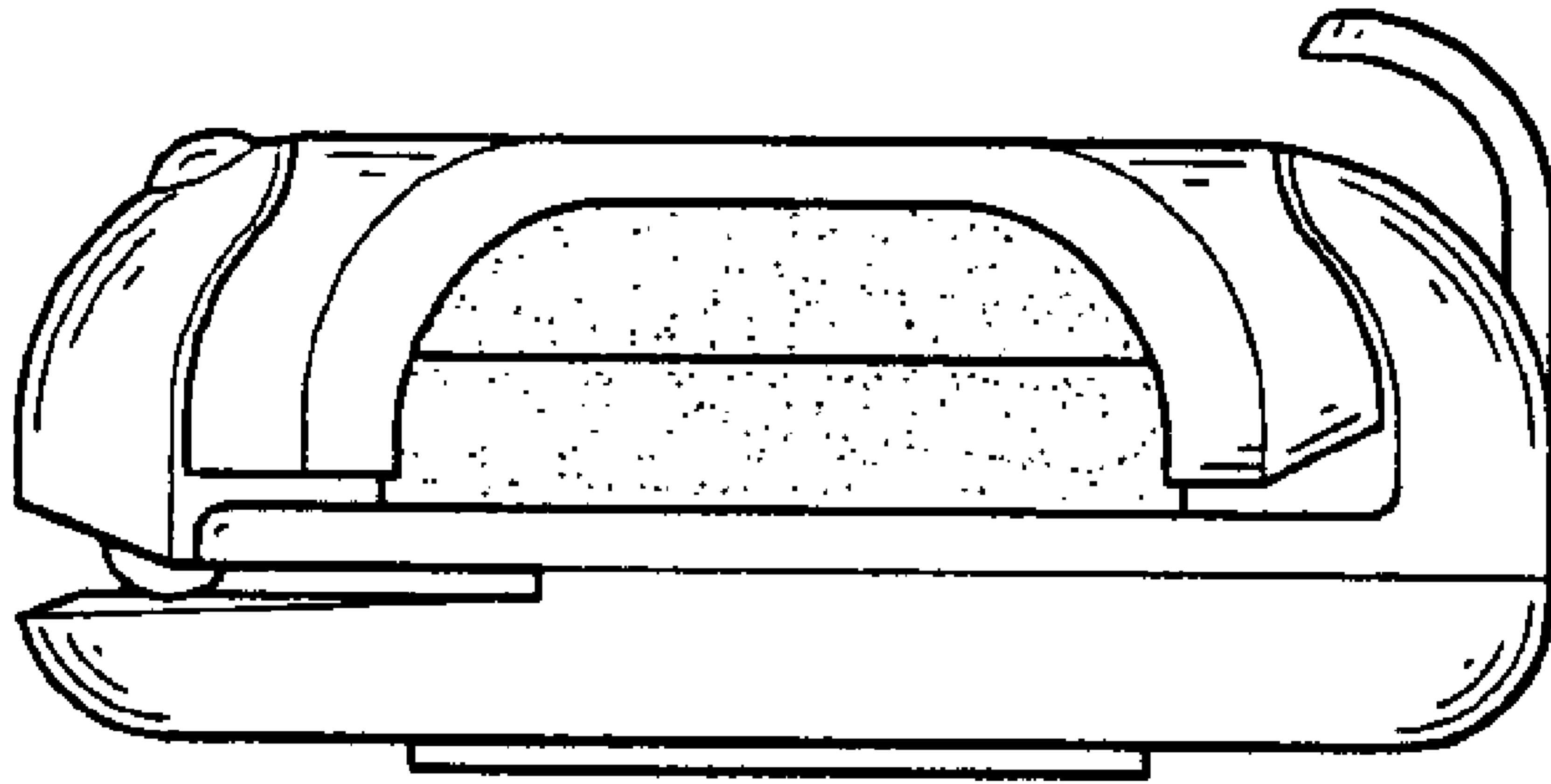


FIG. 5

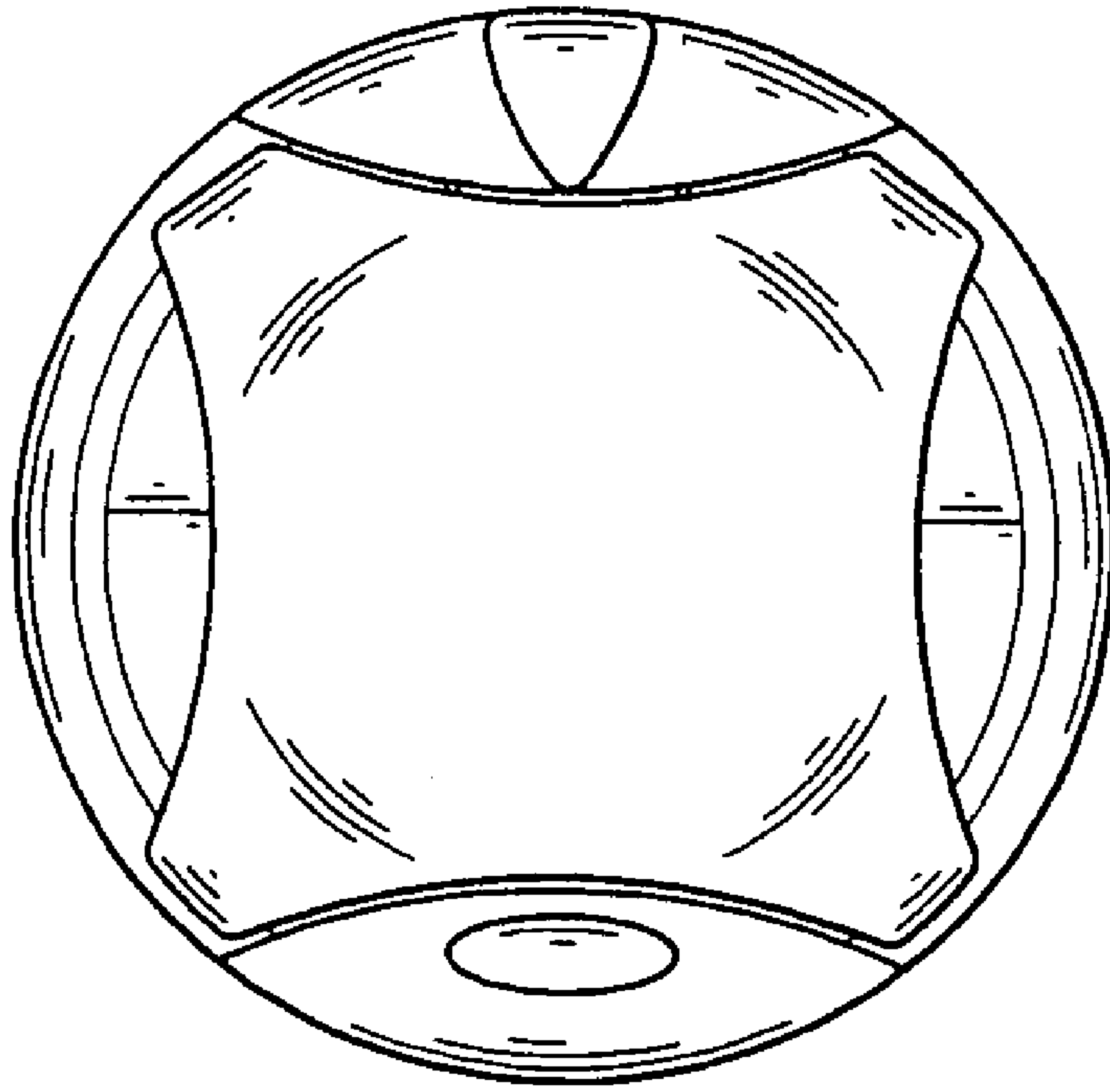


FIG. 6

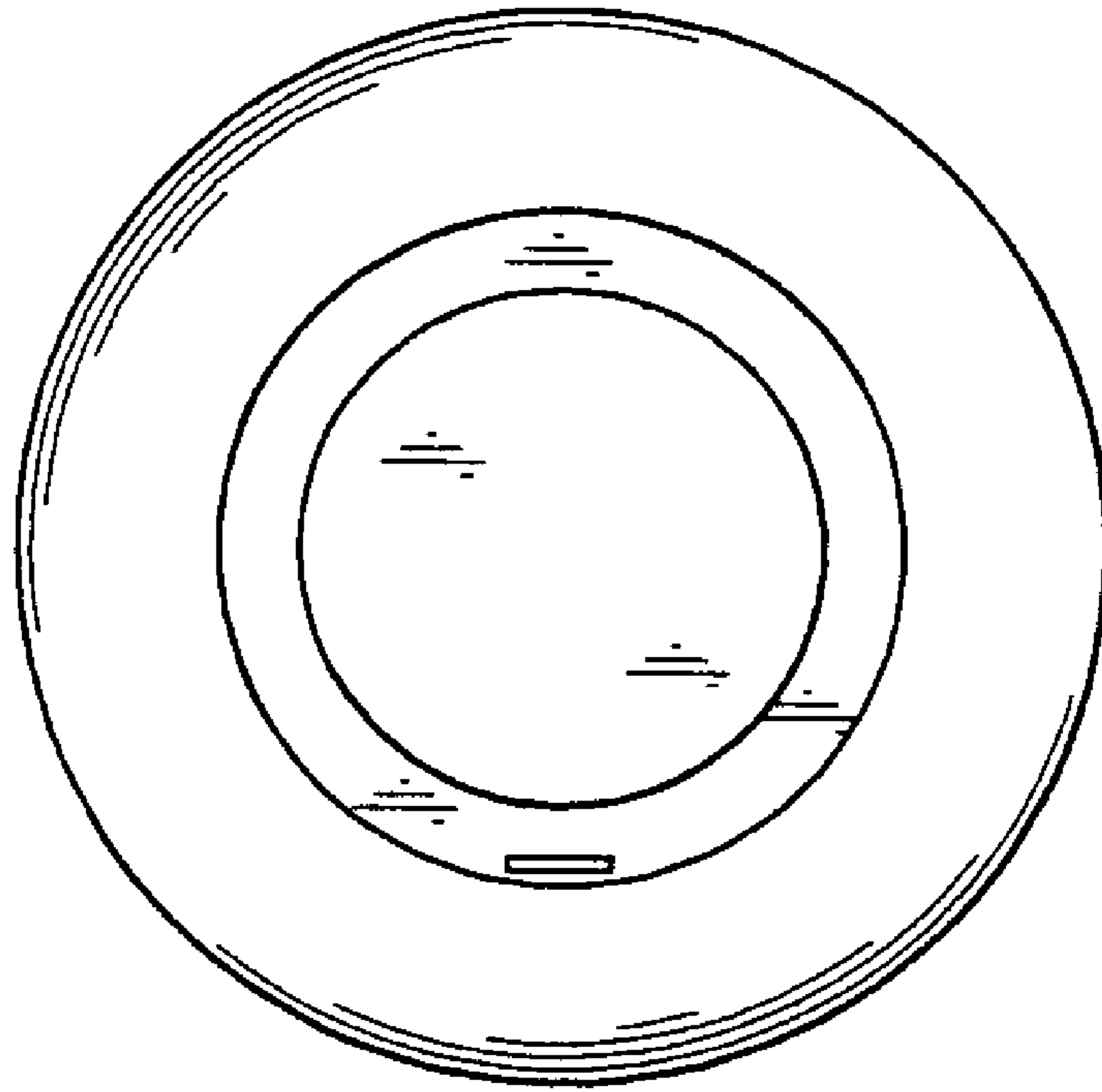


FIG. 7

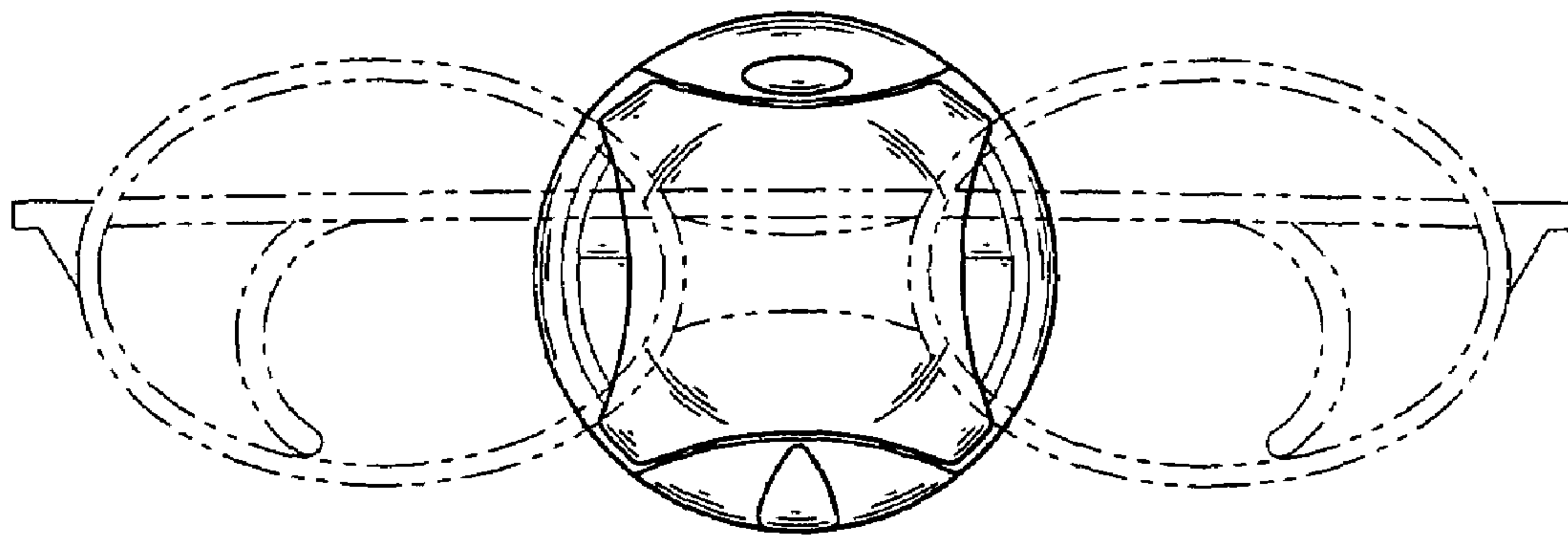


FIG. 8

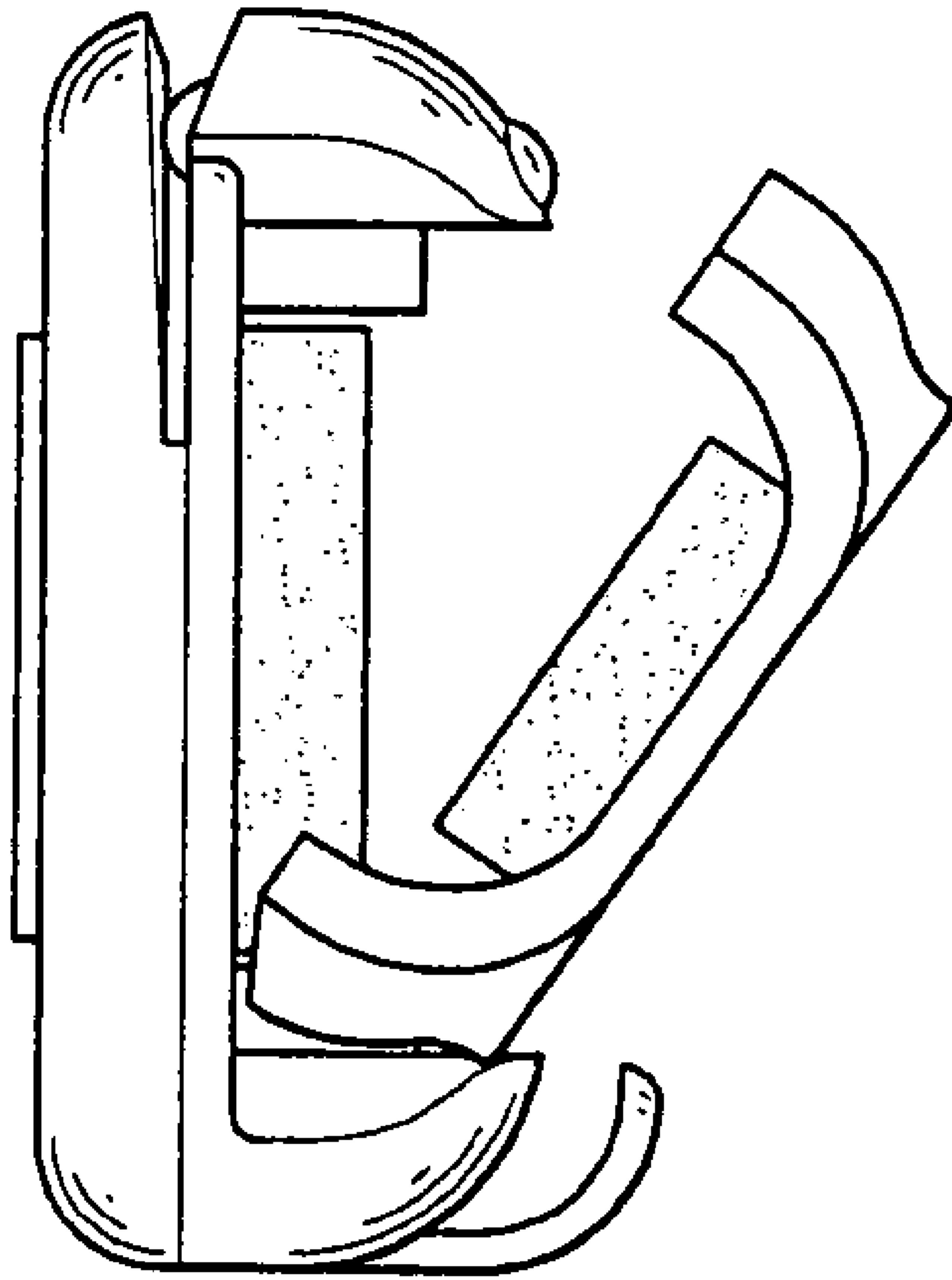


FIG. 9