



US00D544338S

(12) **United States Design Patent** (10) **Patent No.:** **US D544,338 S**
Christensen et al. (45) **Date of Patent:** **** Jun. 12, 2007**

(54) **PORTABLE APPLIANCE CORD WRAP**

D456,240 S * 4/2002 Liao D8/356

(75) Inventors: **Matthew N. Christensen**, Stevensville, MI (US); **Alan L. Mumbower**, Vicksburg, MI (US); **Ben C. Shao**, Westmont, IL (US); **Kristina J. Genslak**, St. Joseph, MI (US)

* cited by examiner

Primary Examiner—Holly H. Baynham

(74) *Attorney, Agent, or Firm*—Robert O. Rice; Stephen Krefman; John F. Colligan

(73) Assignee: **Whirlpool Corporation**, Benton Harbor, MI (US)

(57) **CLAIM**

We are claiming the ornamental design for a portable appliance cord wrap, as shown and described.

(**) Term: **14 Years**

DESCRIPTION

(21) Appl. No.: **29/225,637**

FIG. 1 is a front perspective view of a portable appliance cord wrap showing our new design in one possible environment;

(22) Filed: **Mar. 18, 2005**

FIG. 2 is an enlarged, perspective view of the portable appliance cord wrap thereof;

(51) **LOC (8) Cl.** **08-05**

(52) **U.S. Cl.** **D8/358; D8/356**

(58) **Field of Classification Search** D8/356, D8/358; 174/153 G; 248/56

FIG. 3 is a front elevational view thereof;

FIG. 4 is a rear elevational view thereof;

See application file for complete search history.

FIG. 5 is a left side elevational view thereof;

FIG. 6 is a right side elevational view thereof;

(56) **References Cited**

U.S. PATENT DOCUMENTS

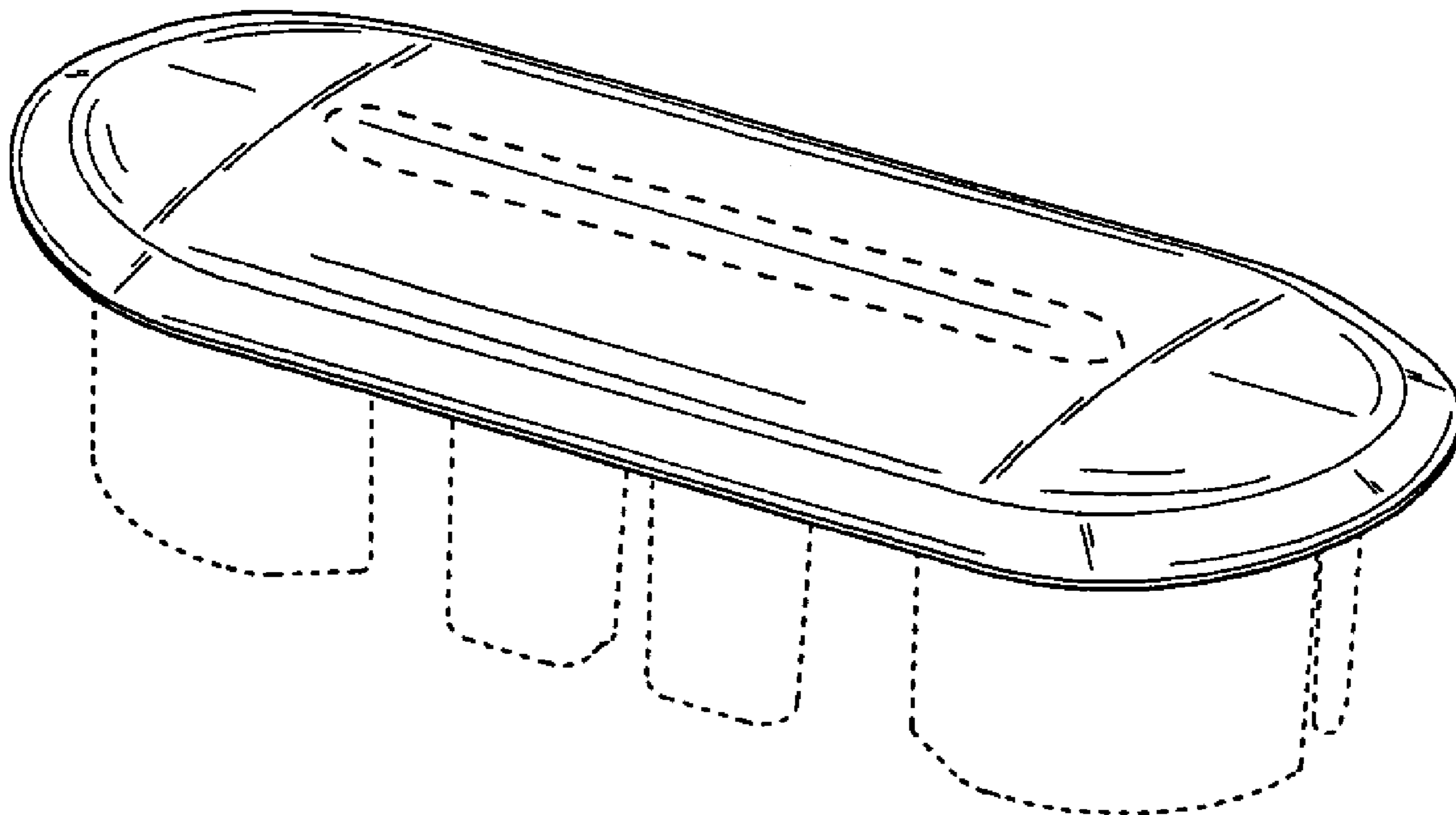
D296,761 S *	7/1988	Mockett	D8/400
D358,980 S *	6/1995	Mockett	D8/356
D364,084 S *	11/1995	Yaich	D8/356
D378,987 S *	4/1997	Ross	D8/356
D406,748 S *	3/1999	Byrne	D8/356

FIG. 7 is a top plan view thereof; and,

FIG. 8 is a bottom plan view thereof.

The portion shown in broken lines is for illustration purposes only and forms no part of the claimed design.

1 Claim, 5 Drawing Sheets



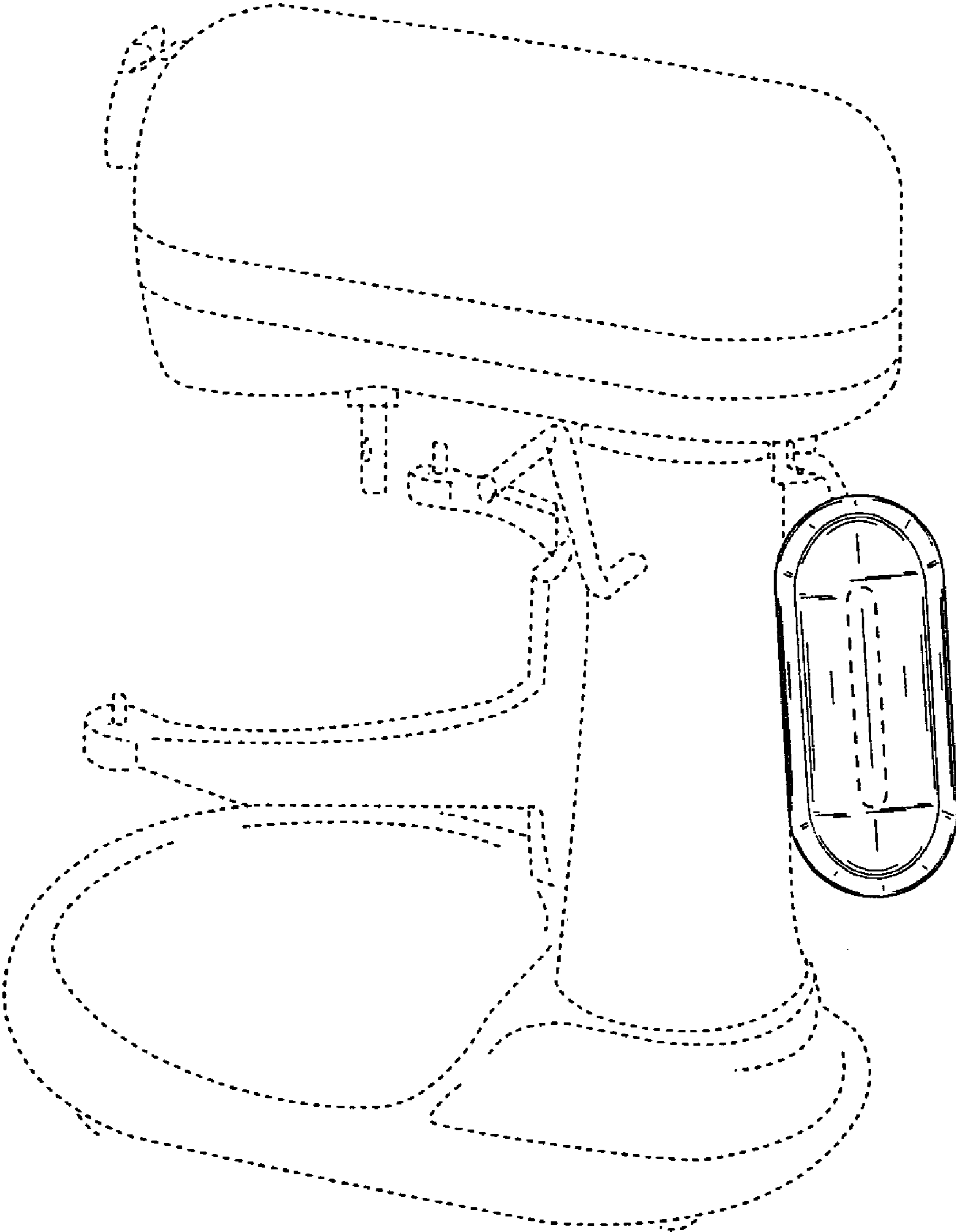


Fig. 1

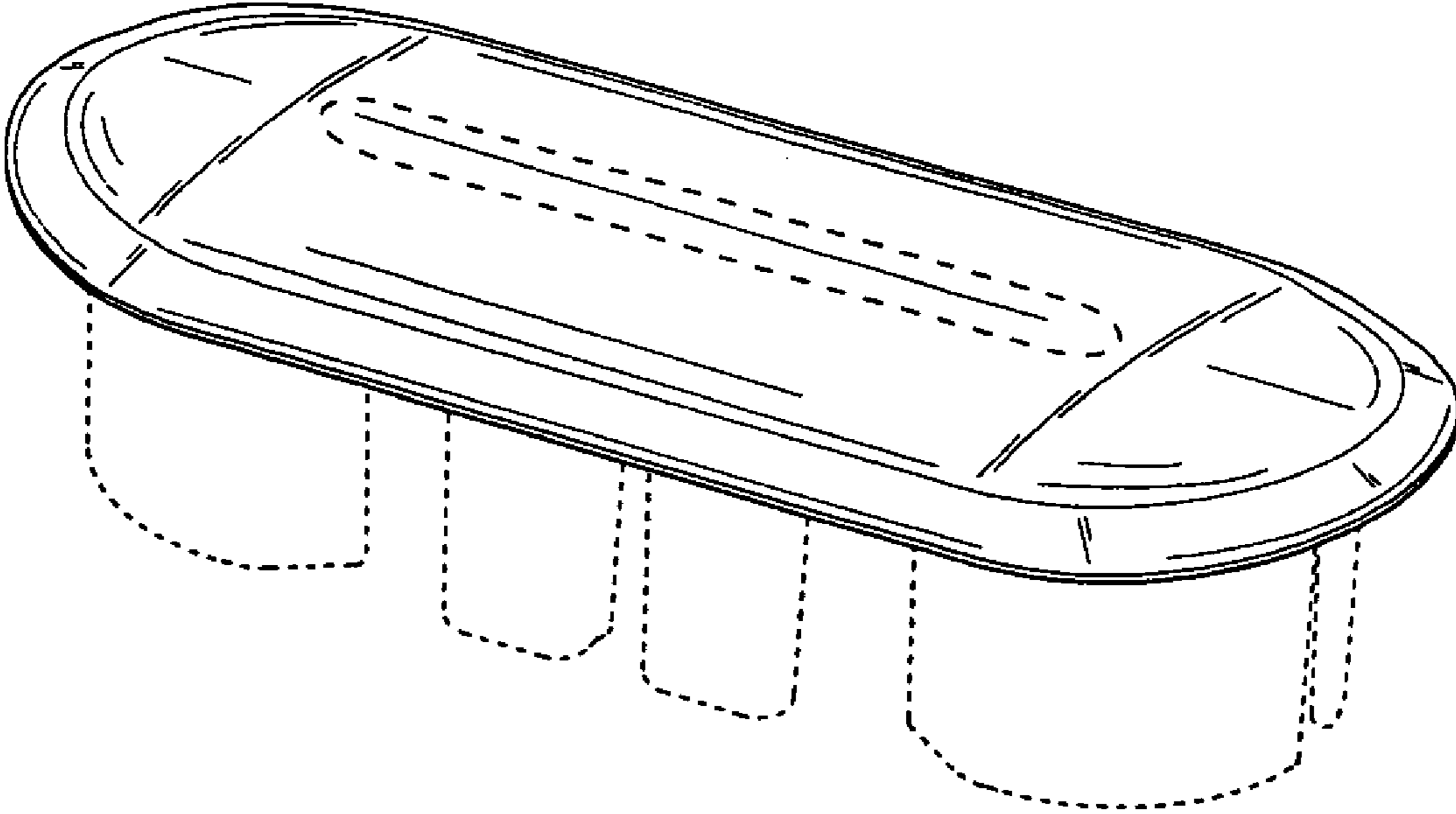


Fig. 2

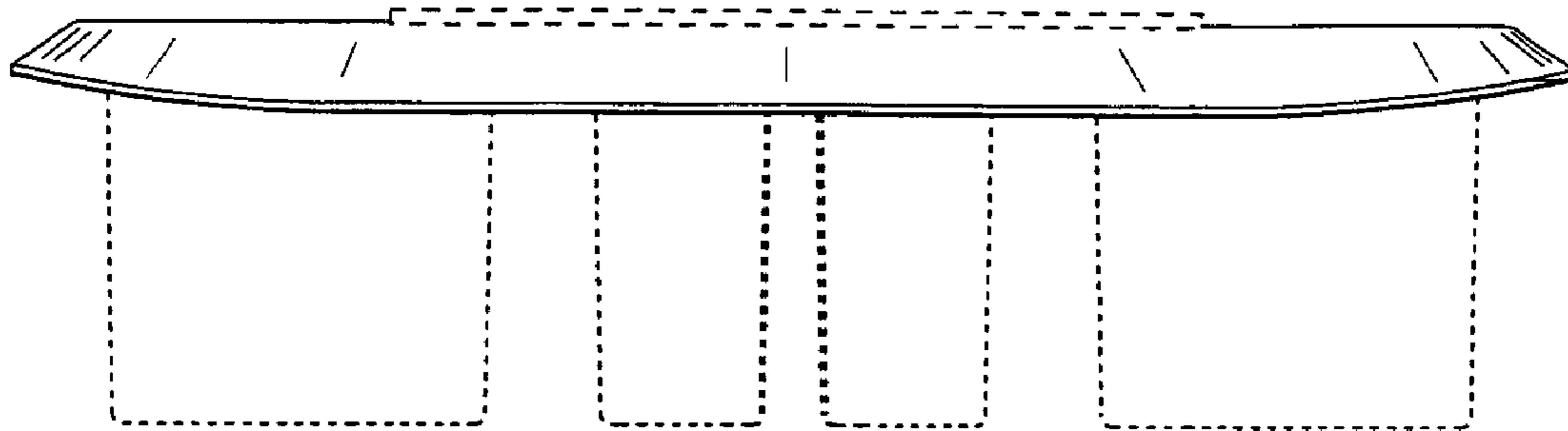


Fig. 3

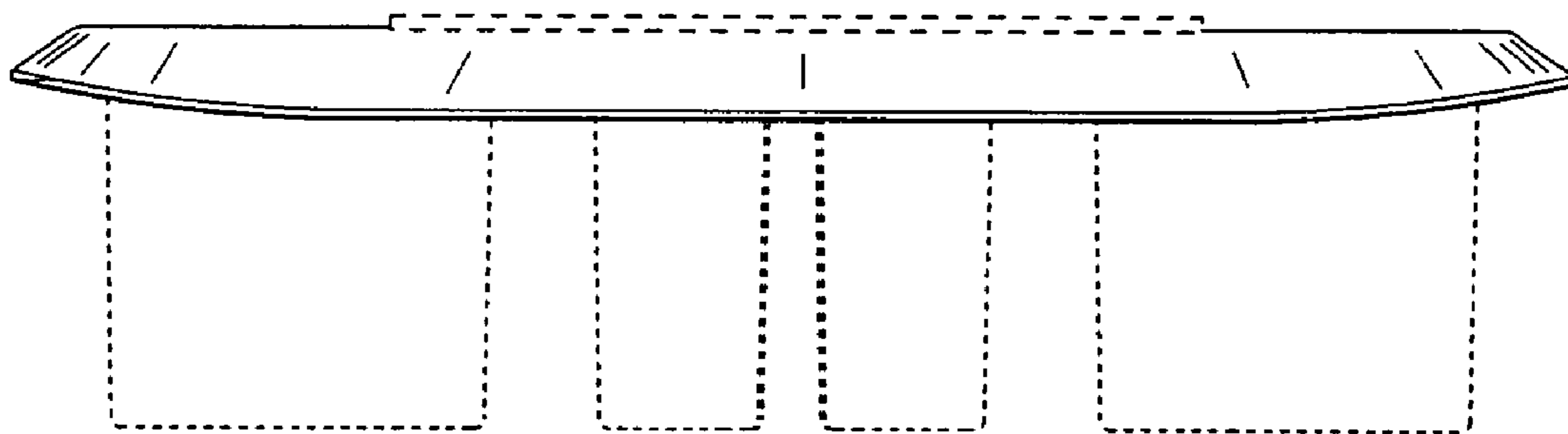


Fig. 4

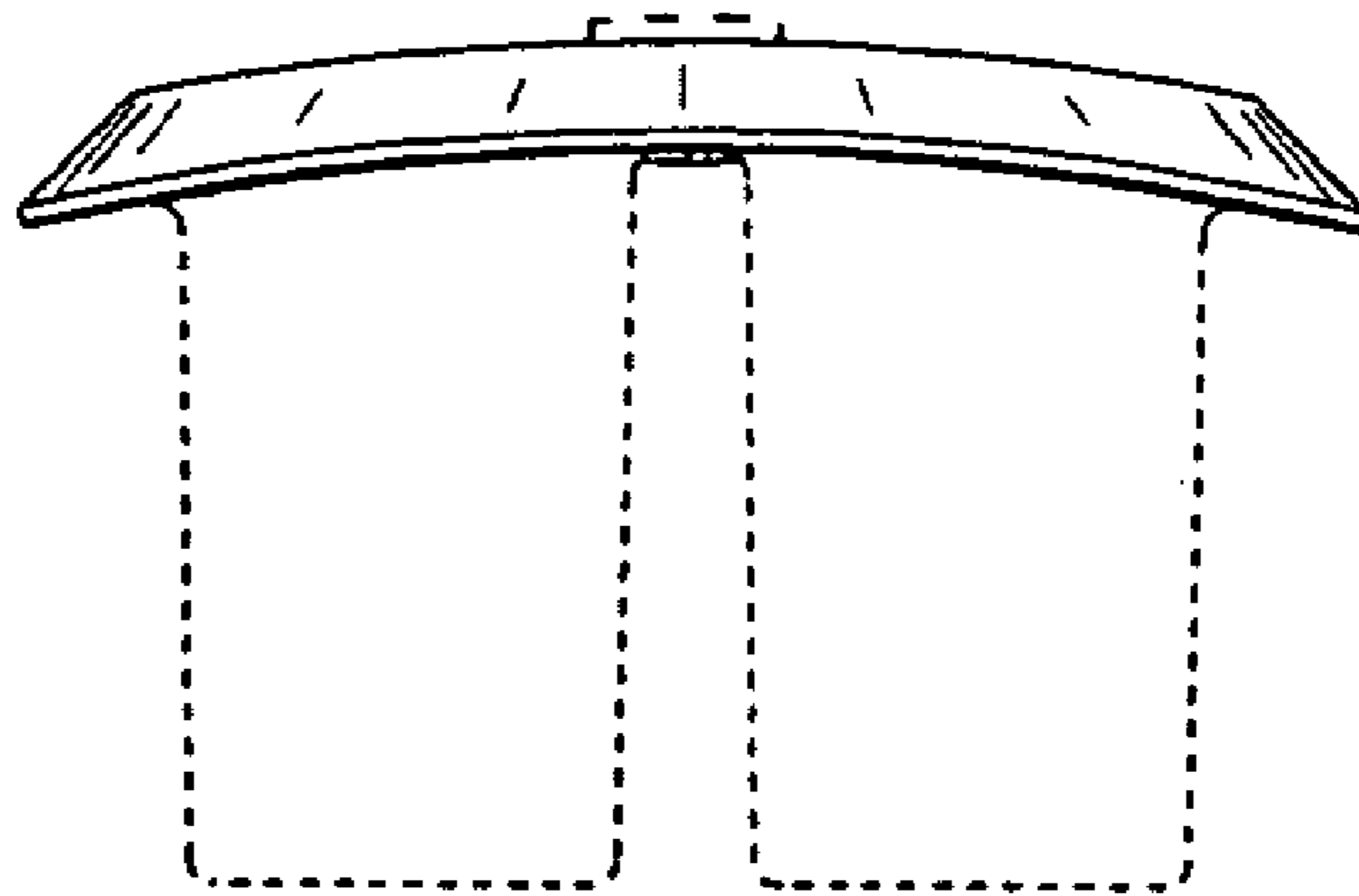


Fig. 5

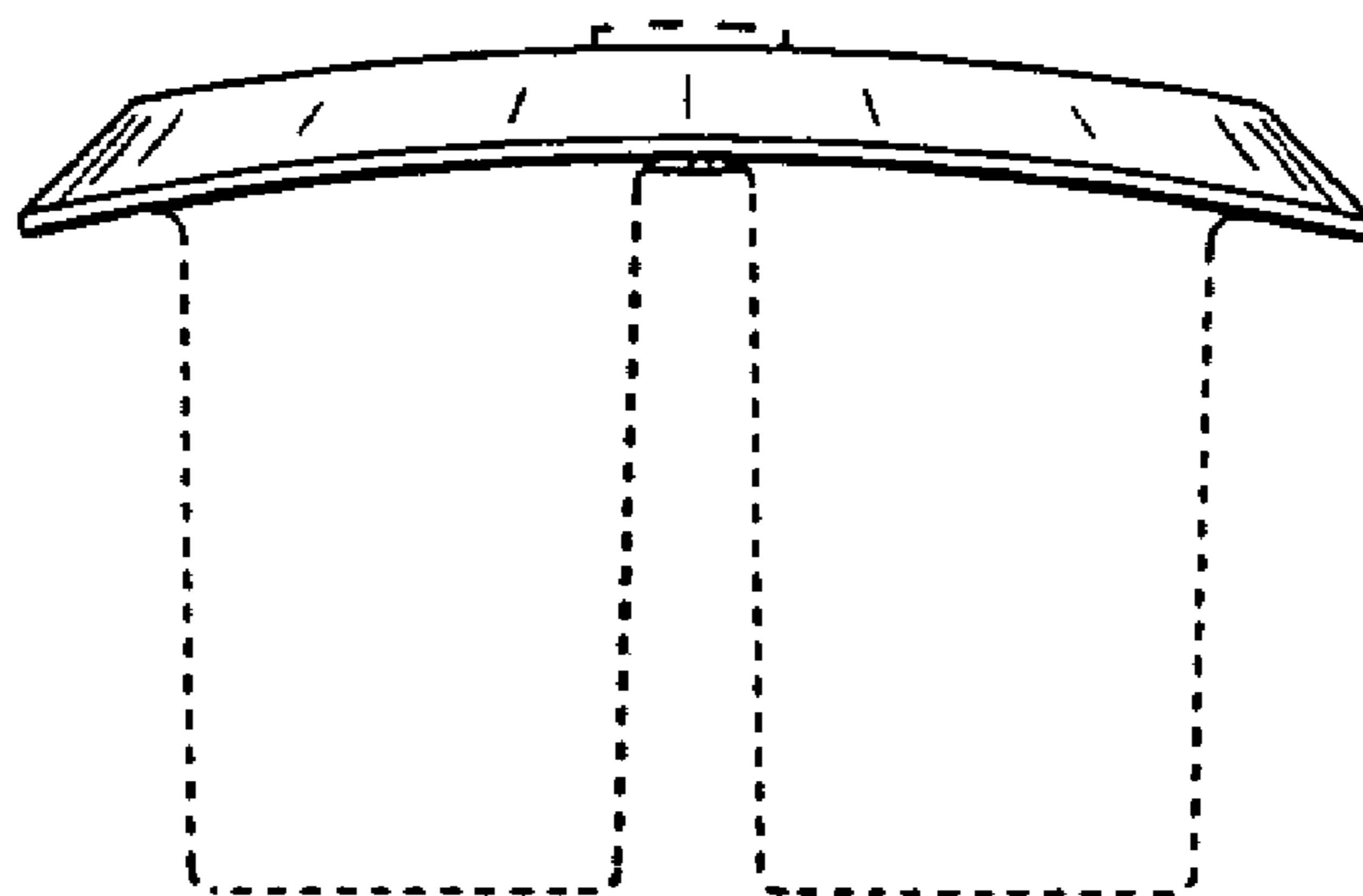


Fig. 6

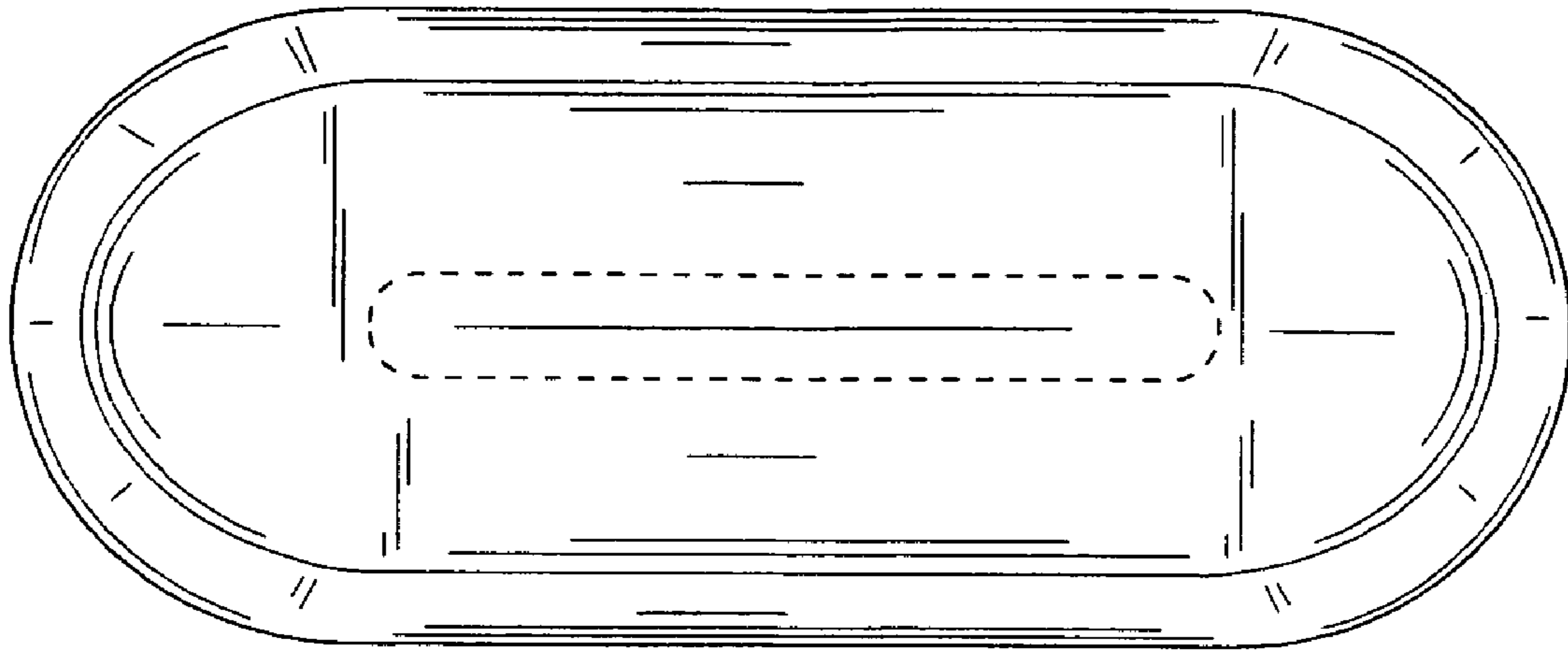


Fig. 7

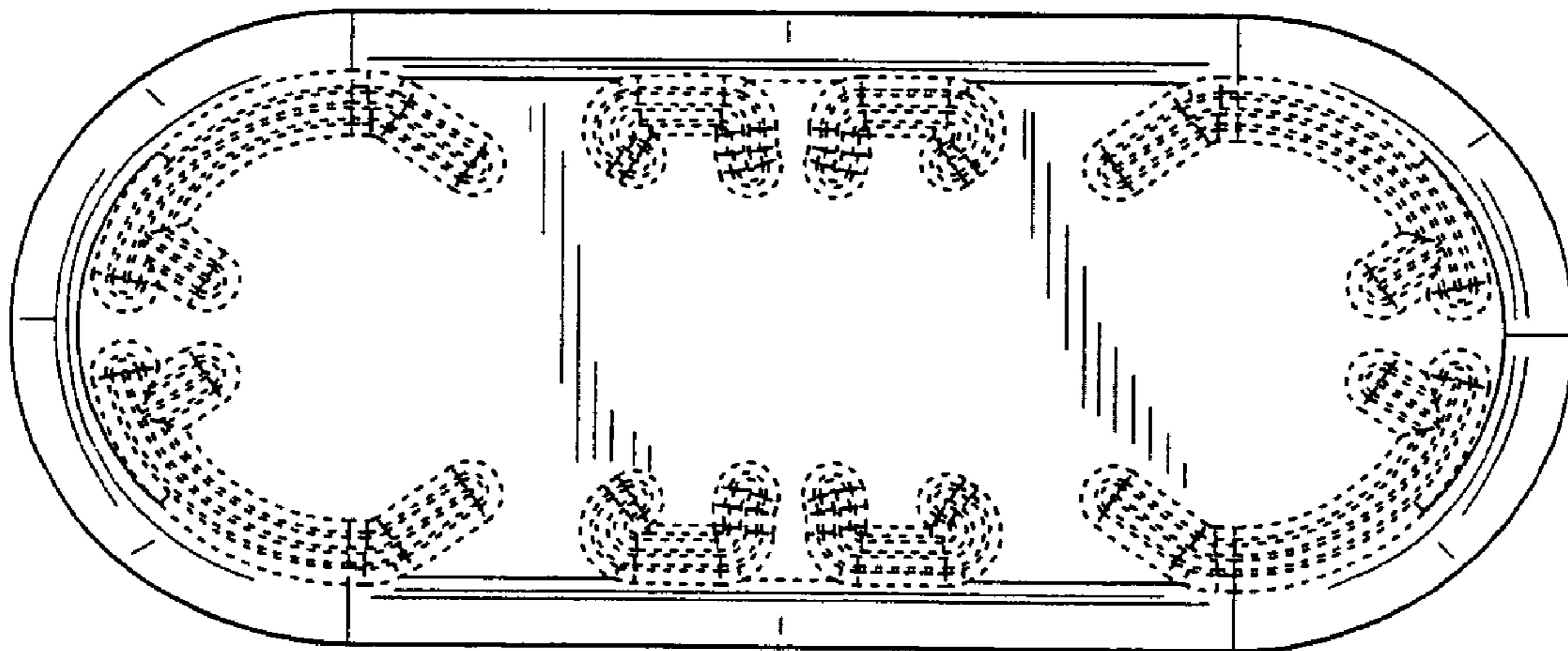


Fig. 8