

US00D544337S

(12) **United States Design Patent**  
**Pepper et al.**

(10) **Patent No.:** **US D544,337 S**

(45) **Date of Patent:** **\*\* Jun. 12, 2007**

(54) **ASTRAGAL BOOT**

(75) Inventors: **Michael E. Pepper**, Richmond, IN  
(US); **James W. Meeks**, Eaton, OH  
(US); **Brian S. Hewitt**, Eaton, OH (US)

(73) Assignee: **Quanex Corporation**, Houston, TX  
(US)

(\*\*) Term: **14 Years**

(21) Appl. No.: **29/239,952**

(22) Filed: **Oct. 6, 2005**

(51) **LOC (8) Cl.** ..... **08-07**

(52) **U.S. Cl.** ..... **D8/331**

(58) **Field of Classification Search** ..... D8/330-348,  
D8/400; 49/366-369, 394; 292/1, 42, 145,  
292/147, 152

See application file for complete search history.

(56) **References Cited**

**U.S. PATENT DOCUMENTS**

4,052,819	A *	10/1977	Beischel et al.	.....	49/368
4,429,493	A	2/1984	St. Aubin		
D273,090	S	3/1984	Imperial		
4,573,287	A	3/1986	Hagemeyer et al.		
4,644,696	A	2/1987	Bursk		
5,857,291	A	1/1999	Headrick		
5,943,825	A	8/1999	Procton et al.		
6,052,949	A	4/2000	Procton et al.		
6,219,971	B1	4/2001	Headrick		
6,491,326	B1	12/2002	Massey et al.		

6,666,486	B1	12/2003	Fleming
2003/0052492	A1	3/2003	Massey
2004/0256858	A1	12/2004	Governale et al.
2005/0116424	A1	6/2005	Sanders
2005/0120630	A1	6/2005	Sanders
2005/0120631	A1	6/2005	Sanders
2005/0193784	A1	9/2005	Sanders

\* cited by examiner

*Primary Examiner*—Mitchell Siegel

(74) *Attorney, Agent, or Firm*—Howard & Howard  
Attorneys, P.C.

(57) **CLAIM**

The ornamental design for an astragal boot, as shown and described.

**DESCRIPTION**

FIG. 1 is a perspective view of an astragal boot, the broken line showing of a hole, a semi-cylindrical cut-out, and two fingers being environmental only and forming no part of the claimed design;

FIG. 2 is a bottom view of the astragal boot of FIG. 1;

FIG. 3 is a top view of the astragal boot of FIG. 1;

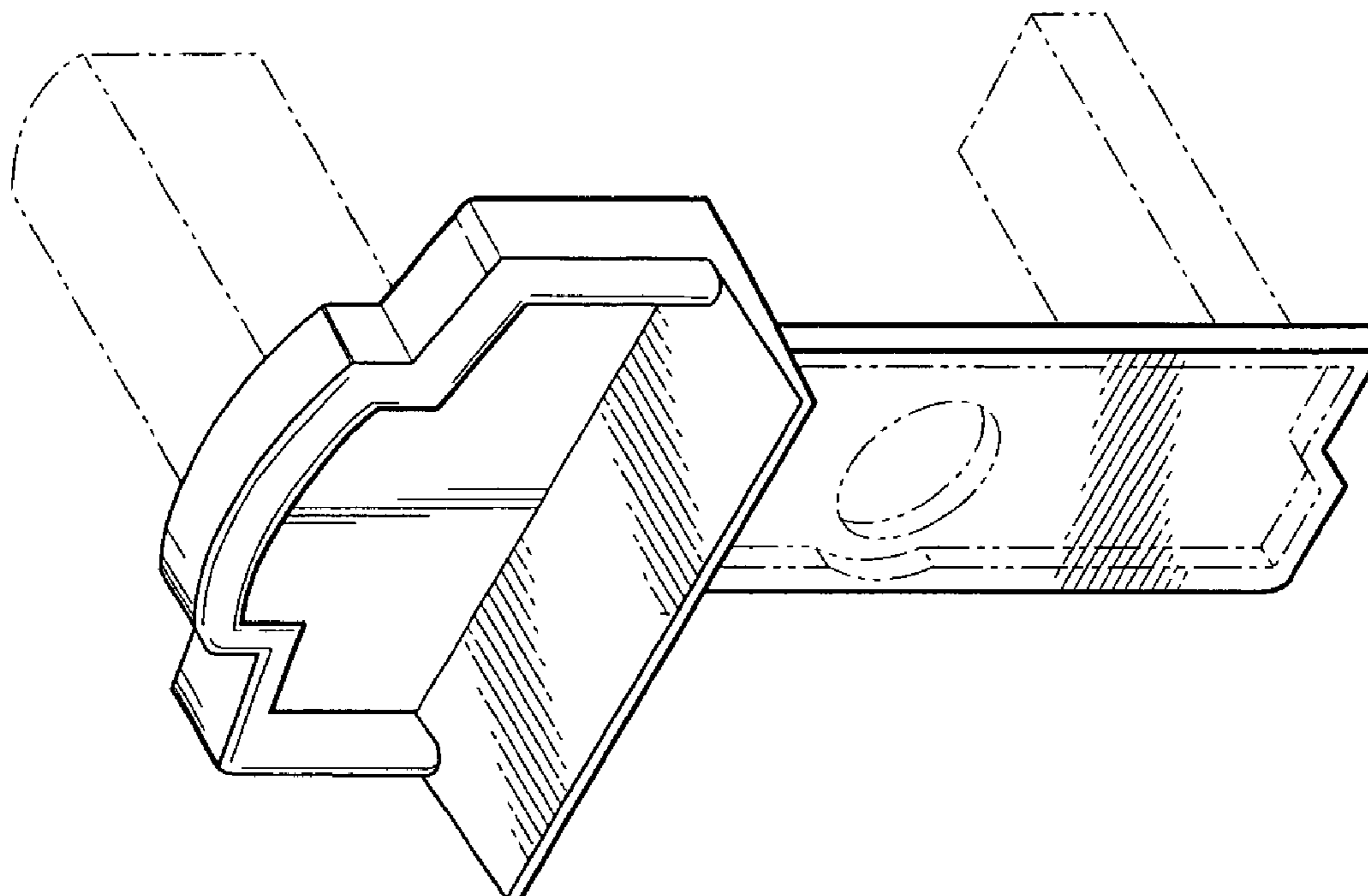
FIG. 4 is a front view of the astragal boot of FIG. 1;

FIG. 5 is a rear view of the astragal boot of FIG. 1;

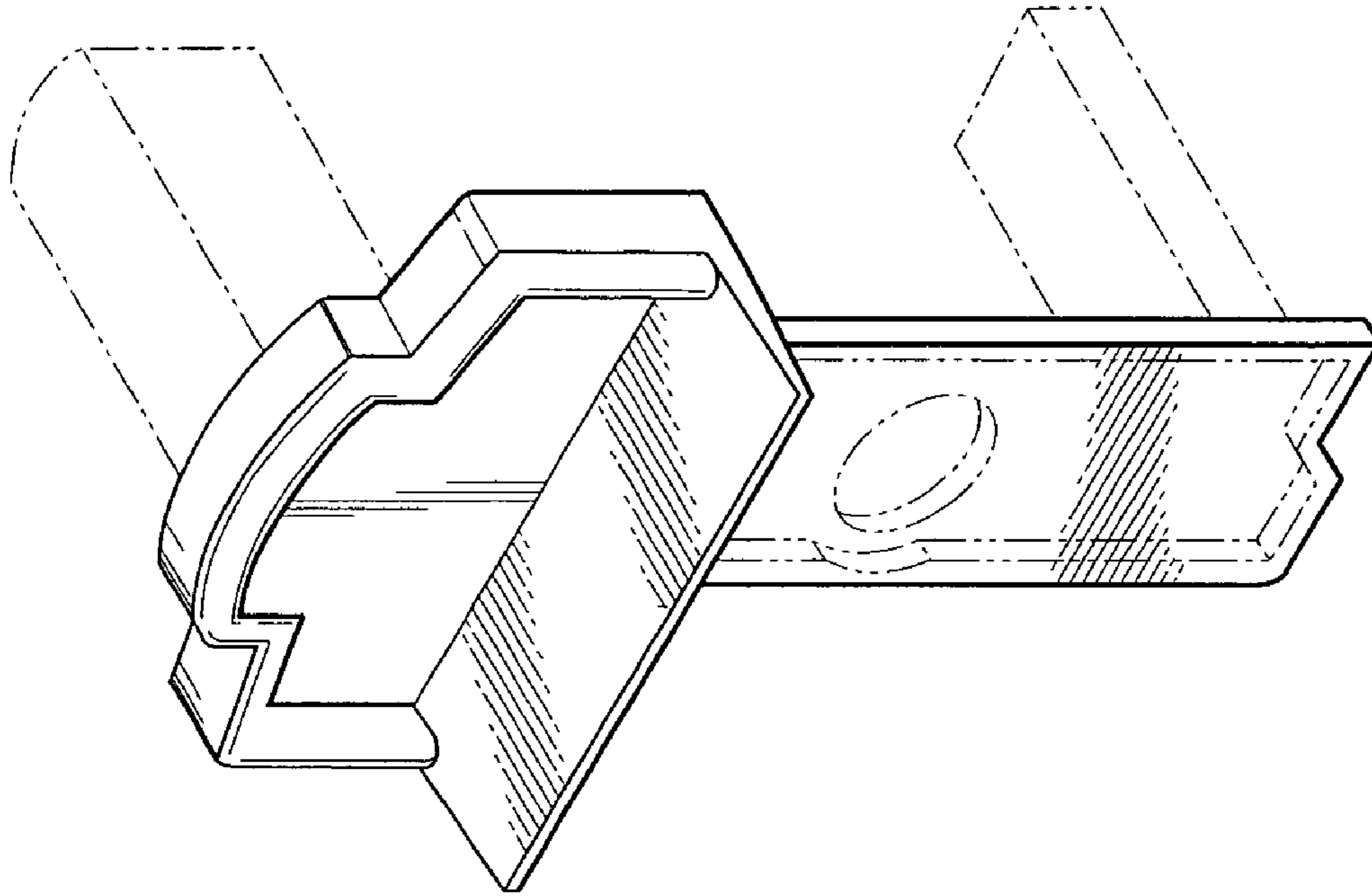
FIG. 6 is a left side view of the astragal boot of FIG. 1; and,

FIG. 7 is a right side view of the astragal boot of FIG. 1.

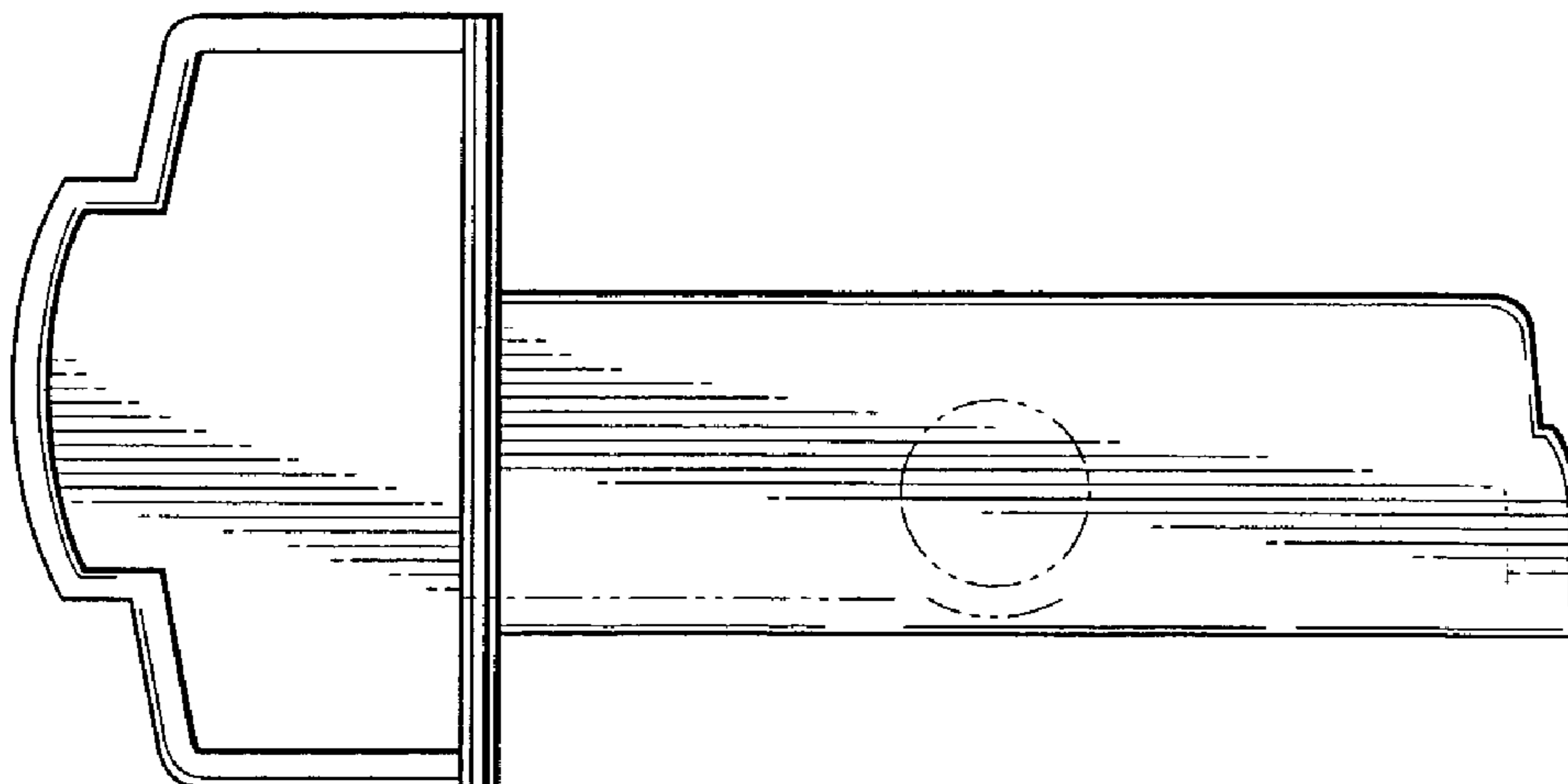
**1 Claim, 3 Drawing Sheets**

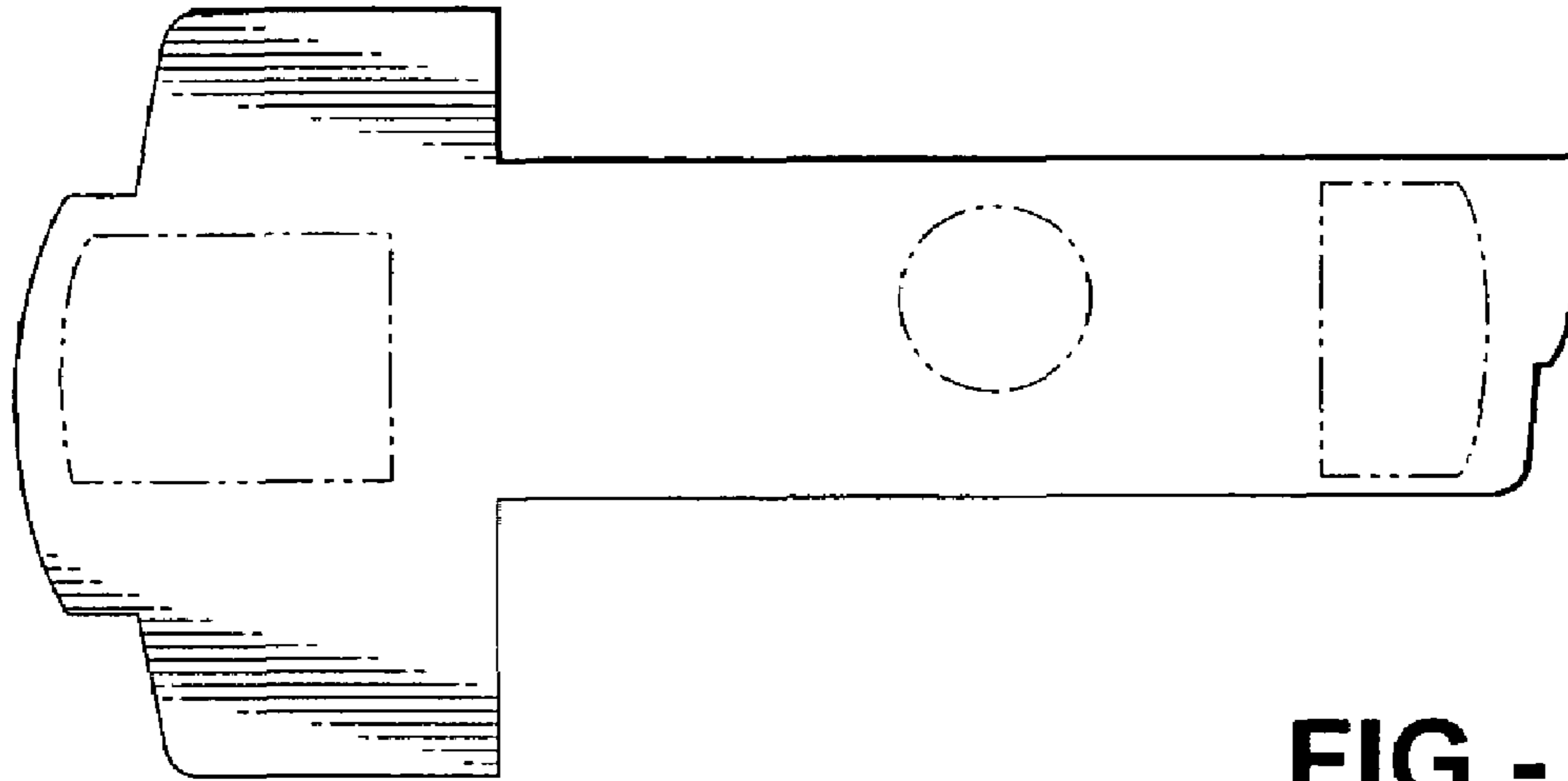


**FIG - 1**

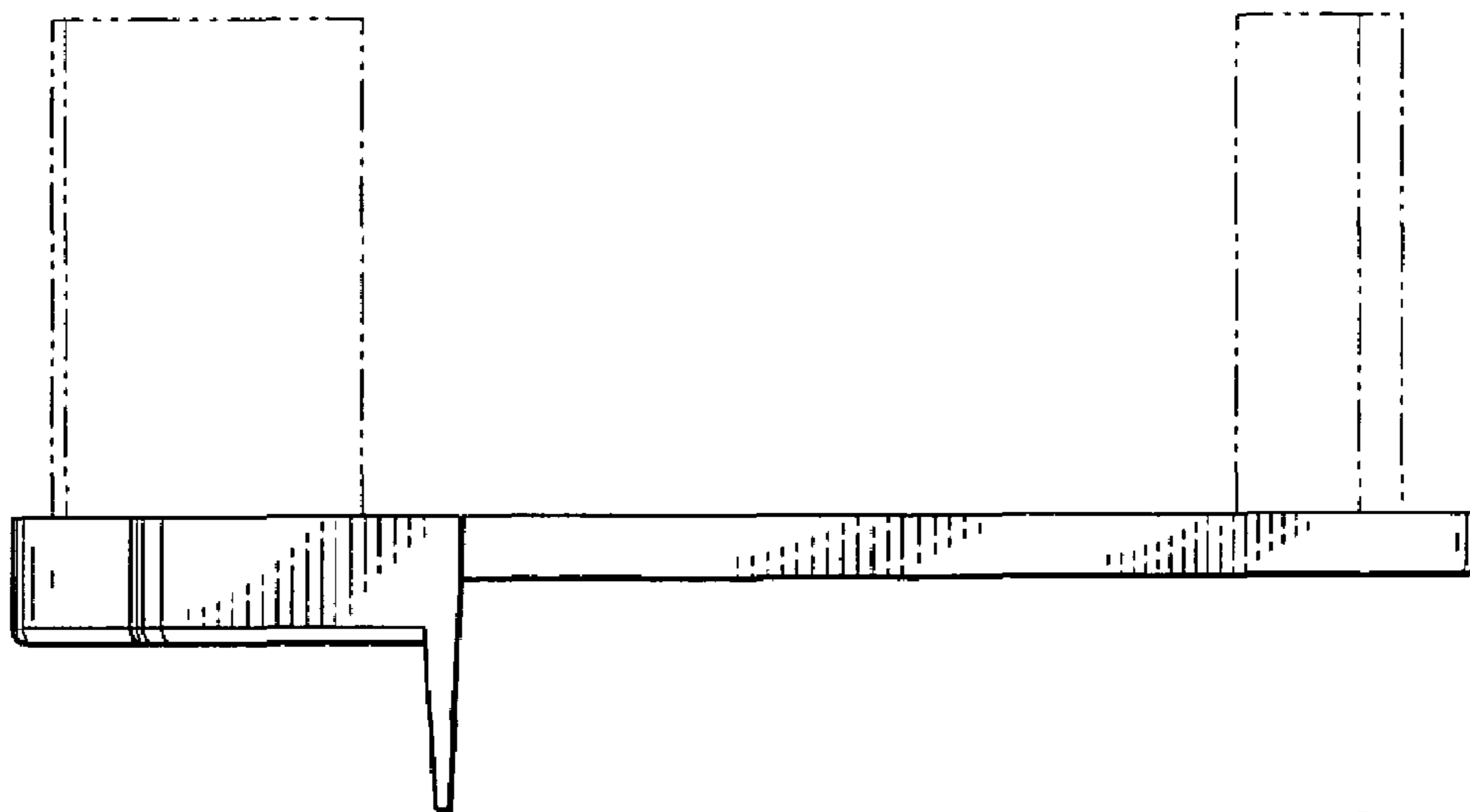


**FIG - 2**

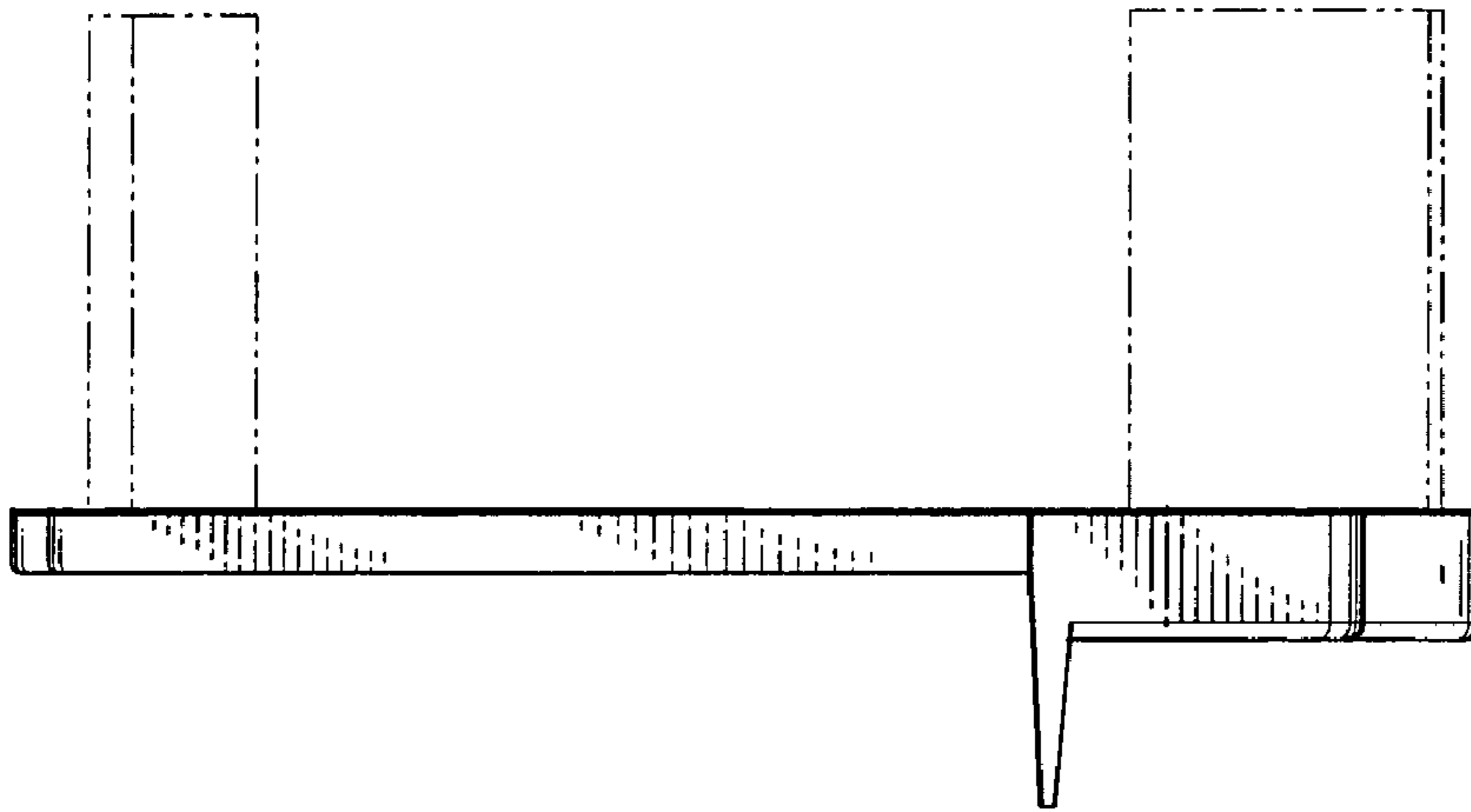




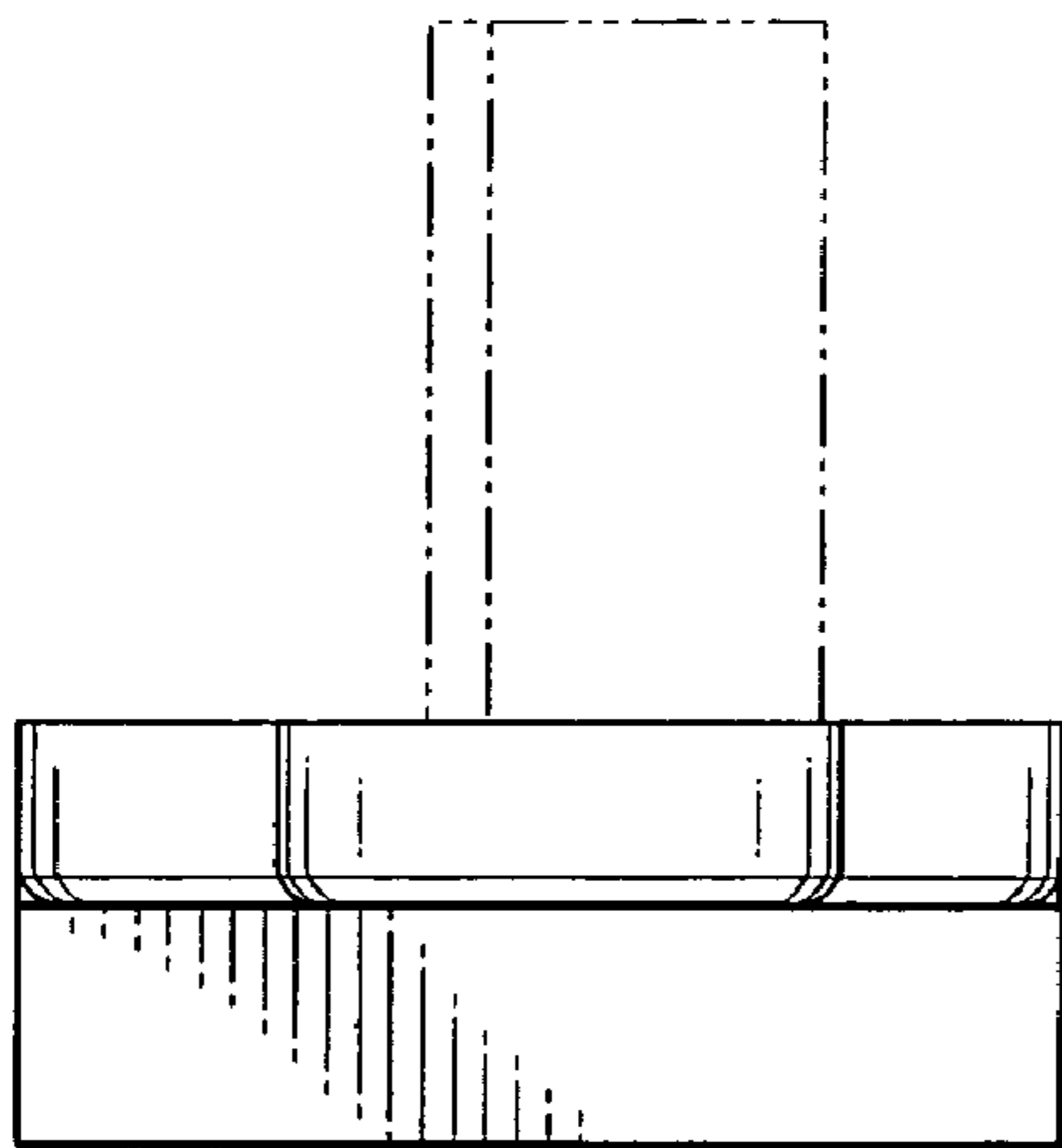
**FIG - 3**



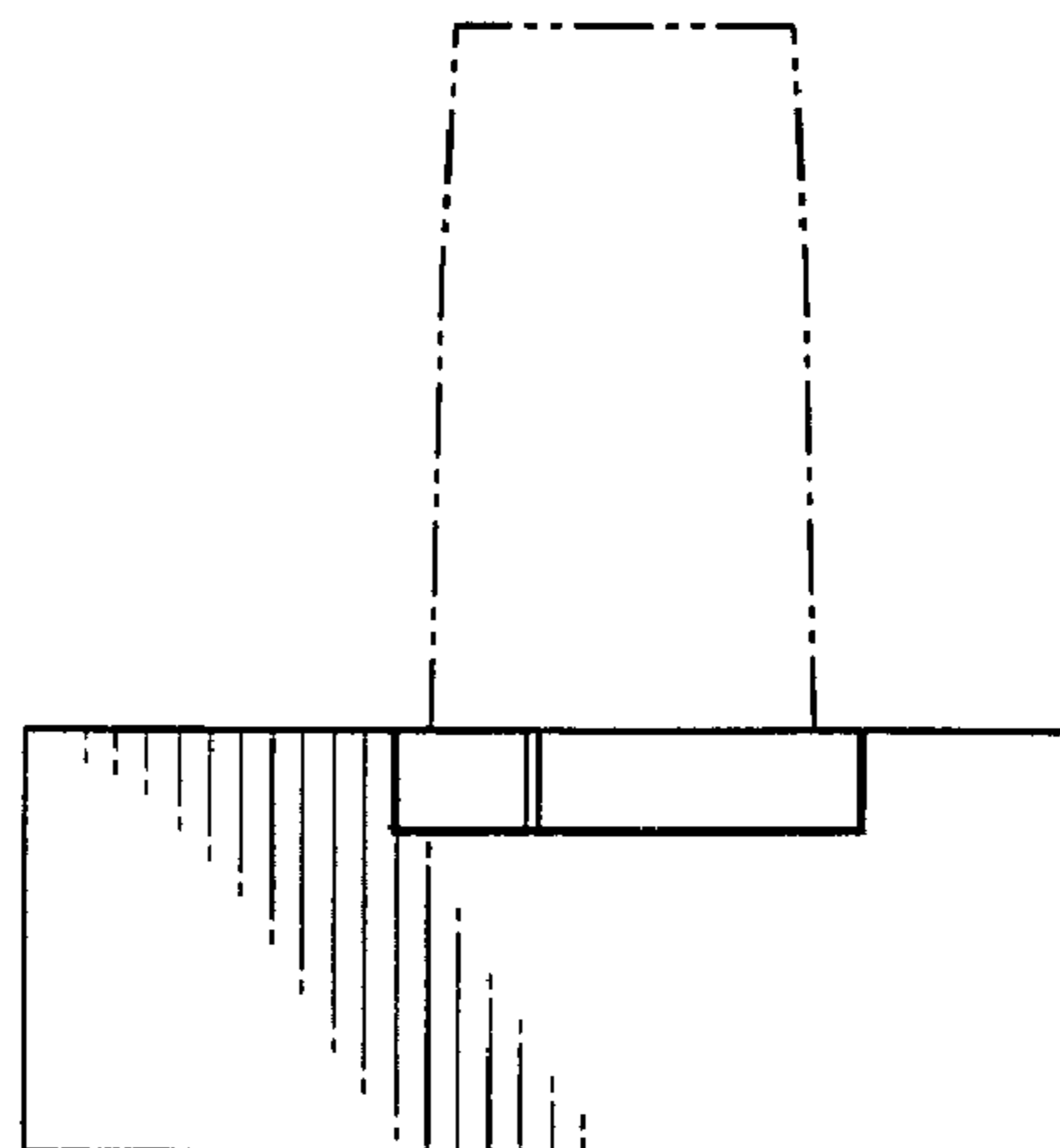
**FIG - 4**



**FIG - 5**



**FIG - 6**



**FIG - 7**