

US00D544334S

(12) **United States Design Patent**
Dismuke

(10) **Patent No.:** **US D544,334 S**

(45) **Date of Patent:** **** Jun. 12, 2007**

(54) **TOILET SEAT HANDLE**

(75) **Inventor:** **Billy C. Dismuke**, P.O. Box 8802,
Fayetteville, AR (US) 72703

(73) **Assignee:** **Billy C. Dismuke**, Fayetteville, AR
(US)

(**) **Term:** **14 Years**

(21) **Appl. No.:** **29/233,453**

(22) **Filed:** **Jul. 5, 2005**

(51) **LOC (8) Cl.** **08-06**

(52) **U.S. Cl.** **D8/307**

(58) **Field of Classification Search** D8/300,
D8/307; D23/303, 309, 311, 252; 4/1, 233-239;
248/65, 200, 534, 629

See application file for complete search history.

(56) **References Cited**

U.S. PATENT DOCUMENTS

- D245,095 S * 7/1977 Murray D8/307
- D295,604 S * 5/1988 Purdy D8/307
- D361,369 S 8/1995 Garner
- D363,976 S * 11/1995 Vinal D23/252
- D379,497 S * 5/1997 Renfro et al. D8/307

- D406,641 S 3/1999 Siliato
- D414,852 S 10/1999 Snook
- D417,723 S 12/1999 Ricigliano
- 6,131,863 A * 10/2000 Fiacco 248/200
- D441,439 S * 5/2001 Nagel et al. D8/307

* cited by examiner

Primary Examiner—Paula A. Greene

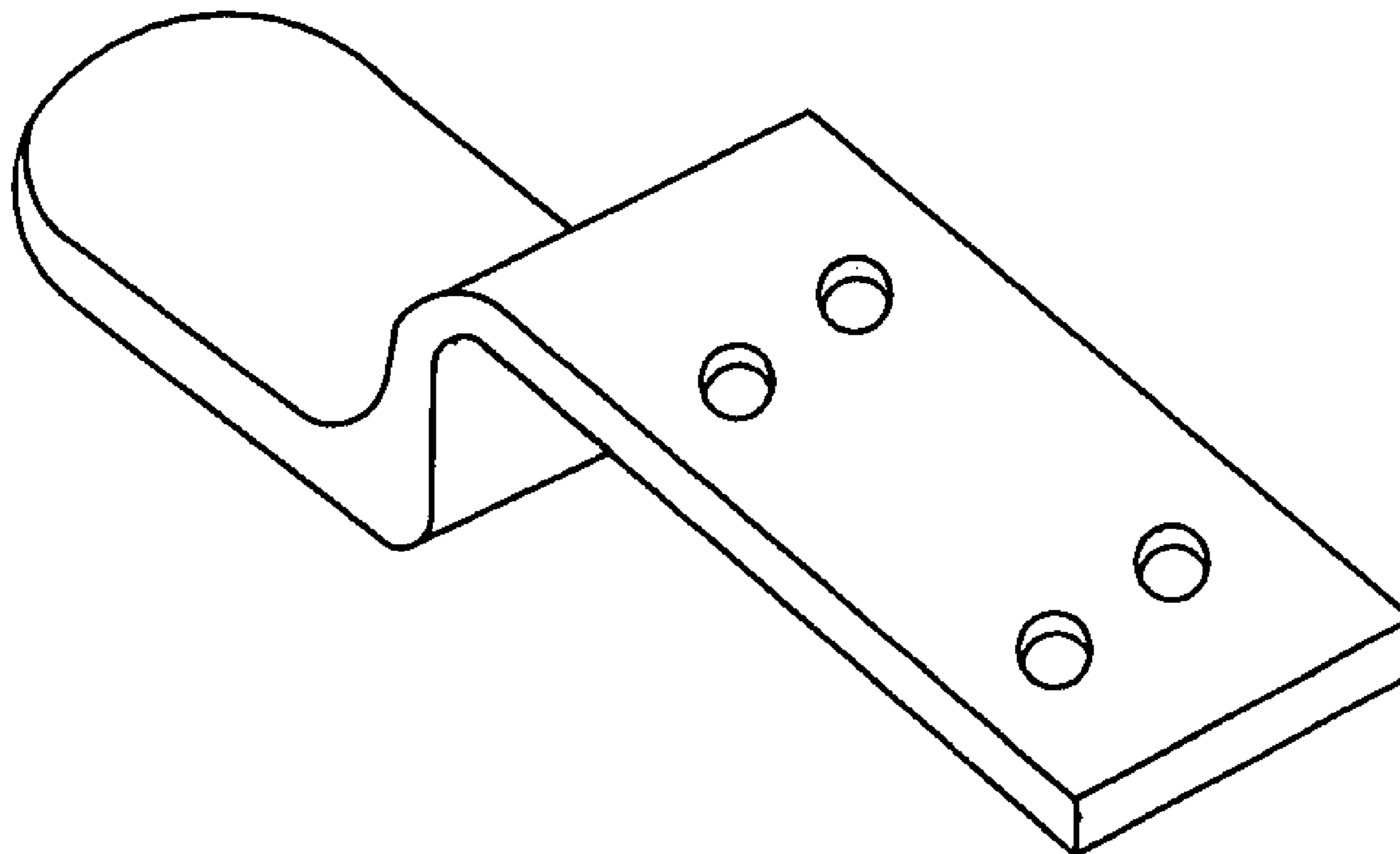
(57) **CLAIM**

The ornamental design for a toilet seat handle, as shown and described.

DESCRIPTION

- FIG. 1 is front perspective view of the toilet seat handle.
- FIG. 2 is a left hand bottom perspective view of the toilet seat handle.
- FIG. 3 is a left perspective view of the toilet seat handle.
- FIG. 4 is a top perspective view of the toilet seat handle.
- FIG. 5 is a top view of the toilet seat handle.
- FIG. 6 is a front view of the toilet seat handle; and,
- FIG. 7 is a rear view of the toilet seat handle.

1 Claim, 3 Drawing Sheets



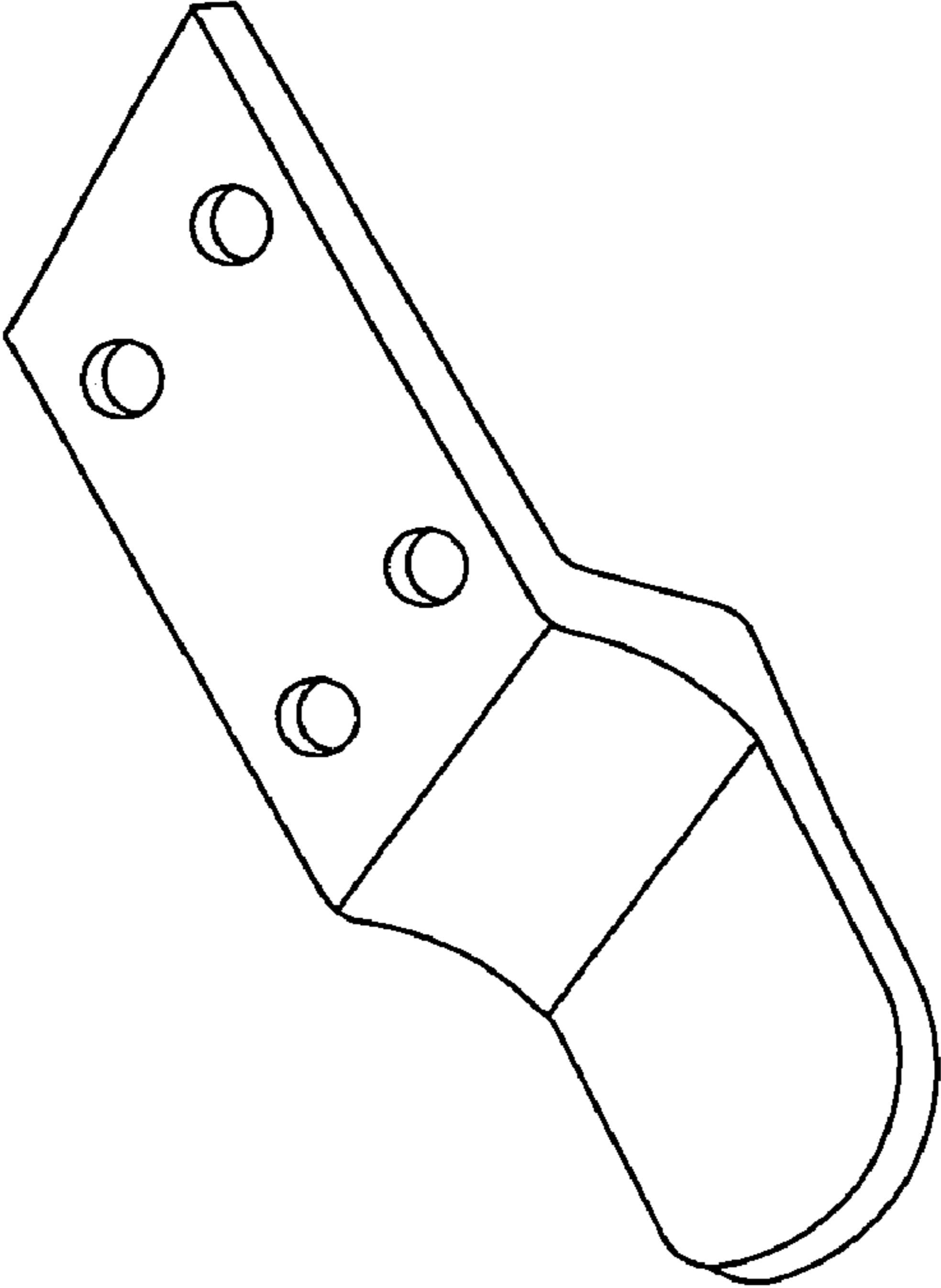


FIG 2

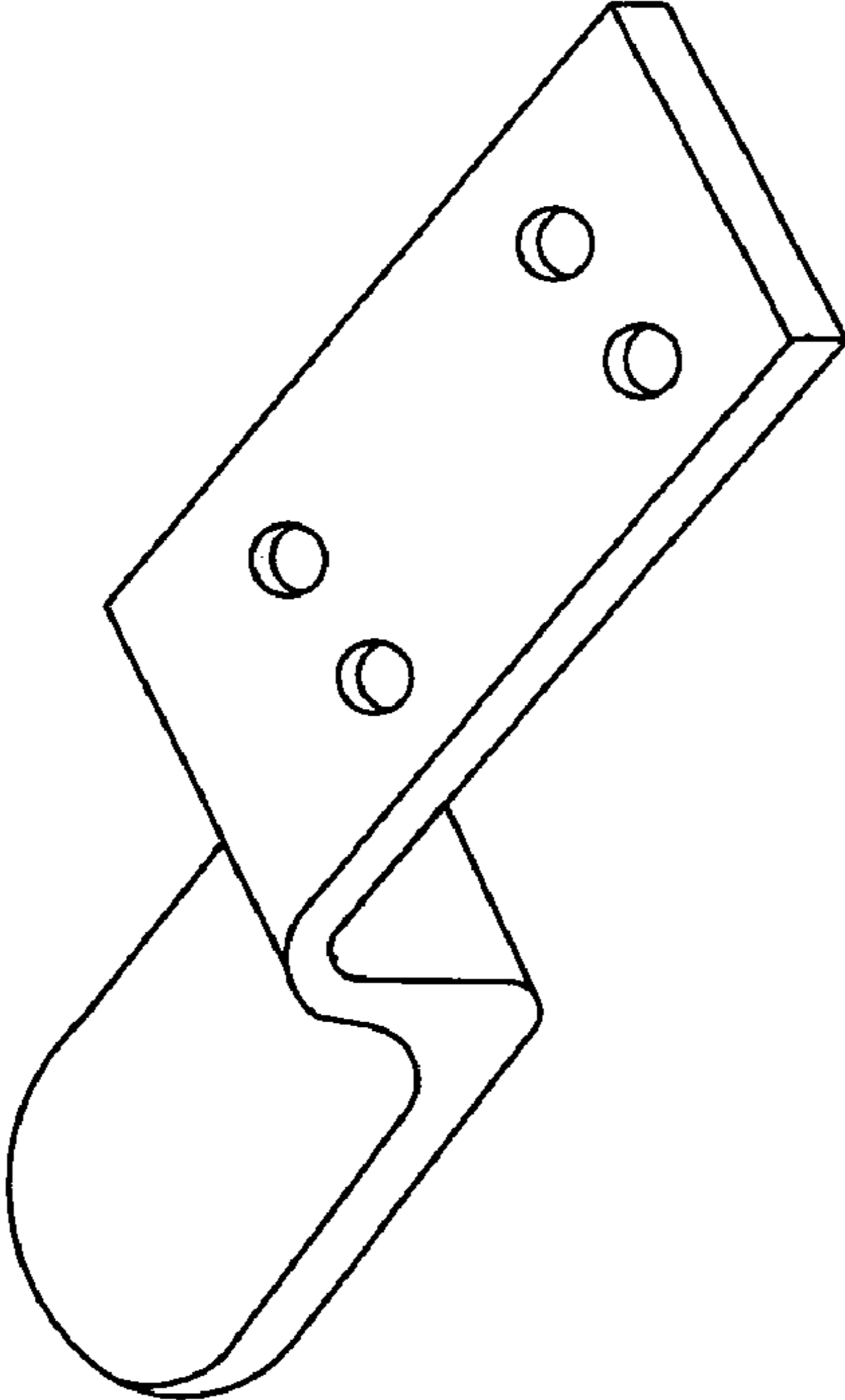


FIG 1

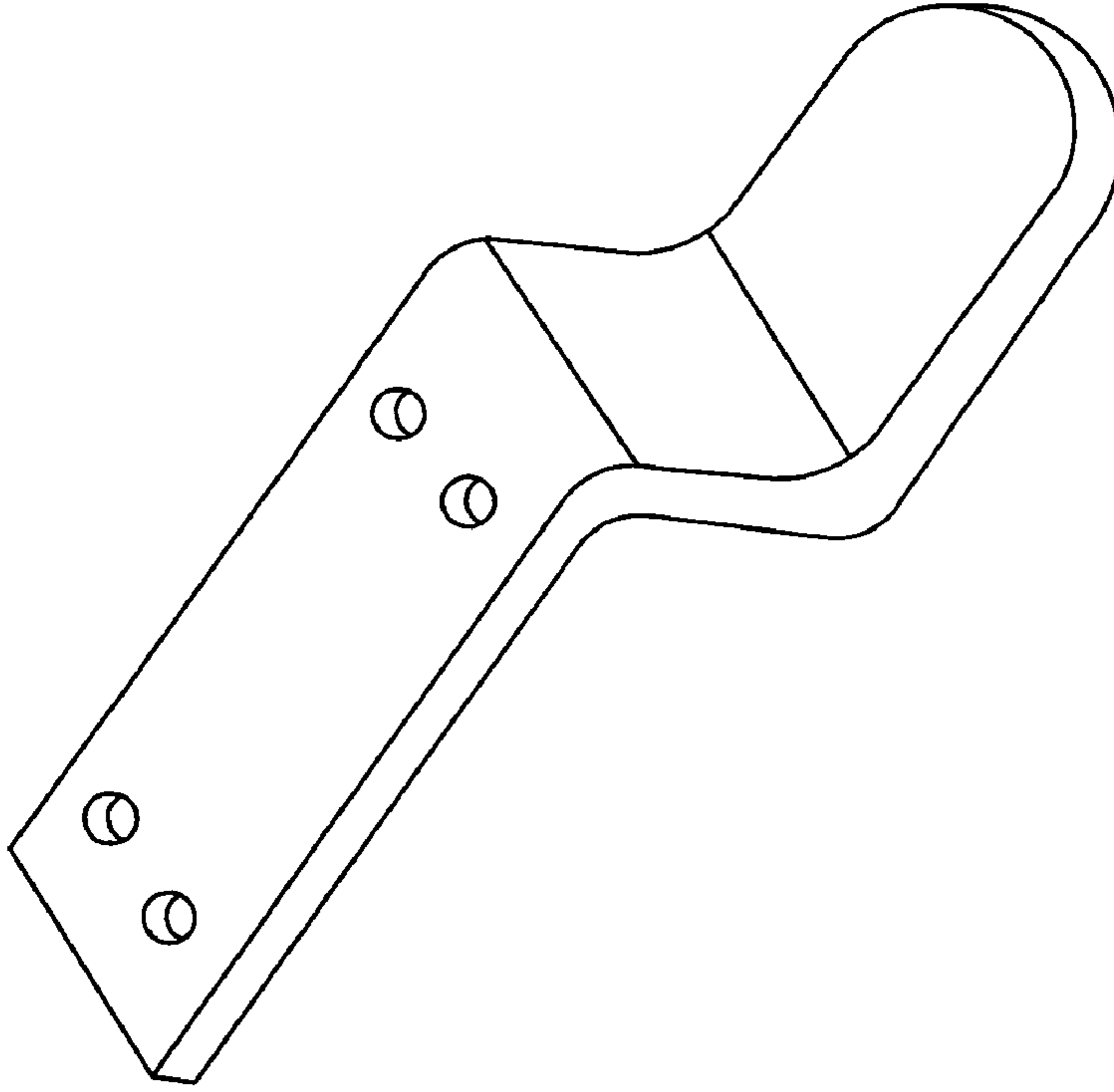


FIG 4

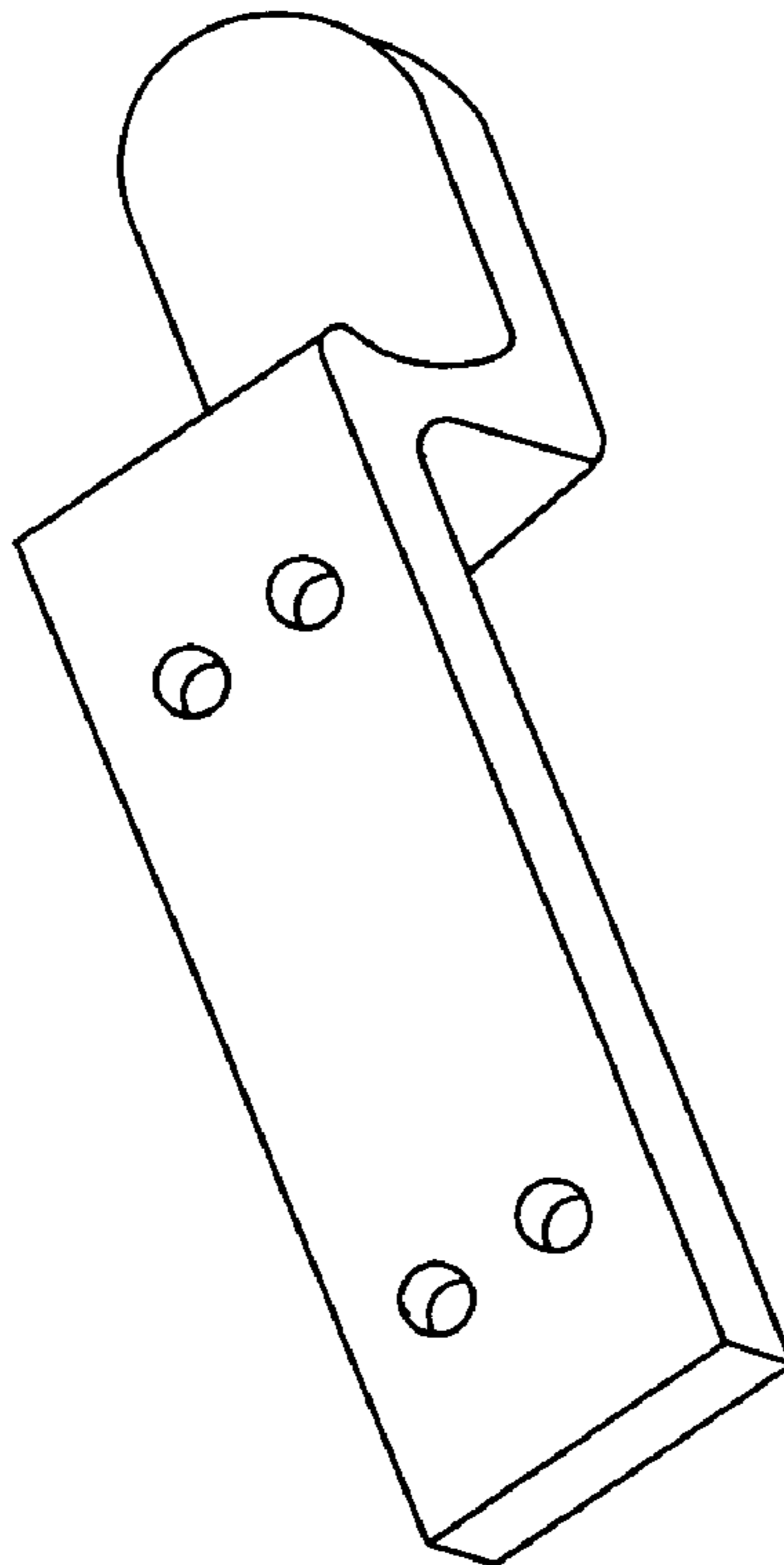


FIG 3

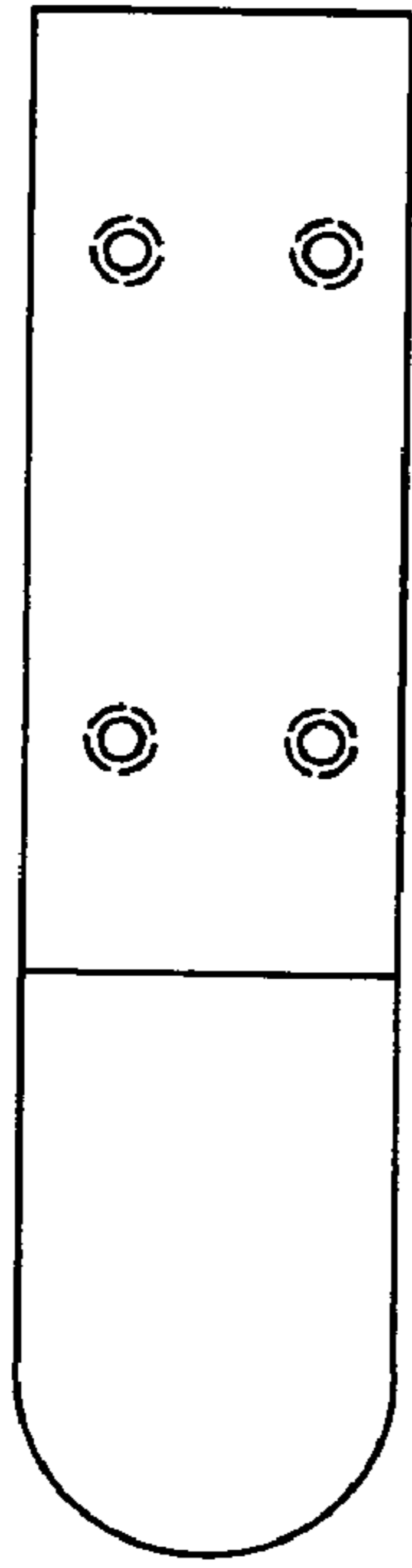


FIG 5

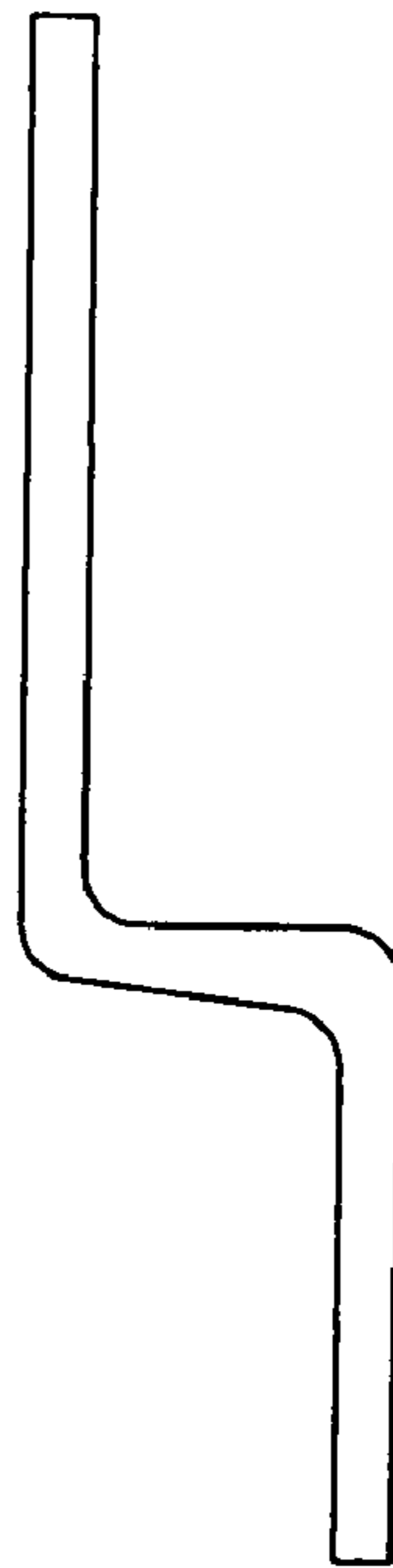


FIG 6

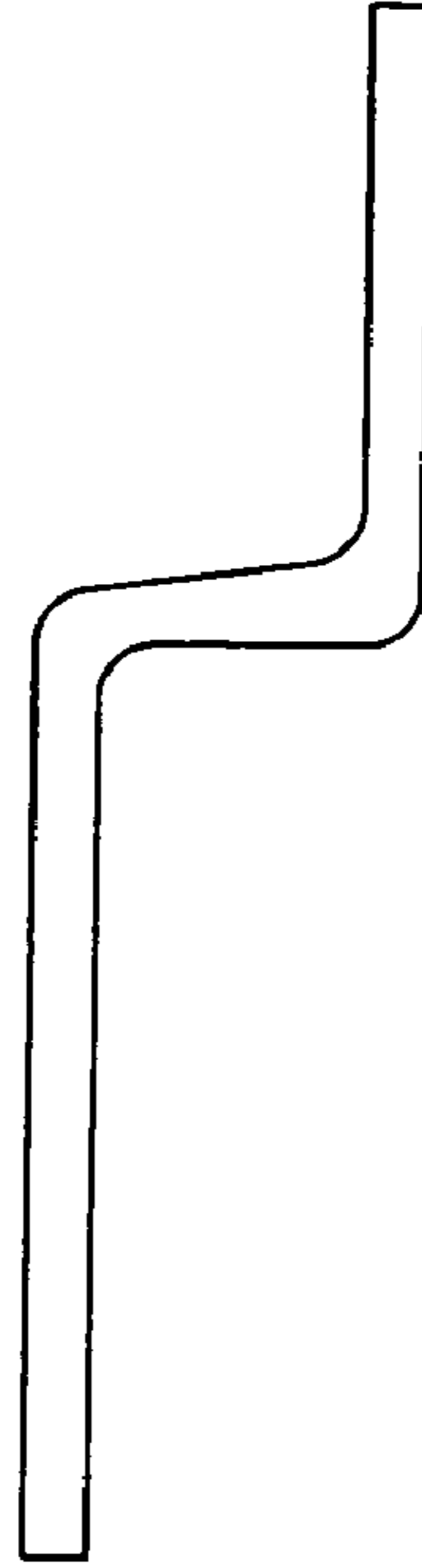


FIG 7