



US00D544331S

(12) **United States Design Patent**
Blehm

(10) **Patent No.:** **US D544,331 S**

(45) **Date of Patent:** **** Jun. 12, 2007**

(54) **TOOL HANDLE**

(76) **Inventor:** **Jerry V. Blehm**, 1115 E. 508 Rd.,
Morrisville, MO (US) 65710

(**) **Term:** **14 Years**

(21) **Appl. No.:** **29/255,854**

(22) **Filed:** **Mar. 13, 2006**

(51) **LOC (8) Cl.** **08-05**

(52) **U.S. Cl.** **D8/107**

(58) **Field of Classification Search** D8/107,
D8/49, 61-70, 82-87, 21, 27, 47, 99-101,
D8/303, DIG. 7; D7/393, 395, 688, 693;
16/430, 177.1, 177.8, 177.85, 409, 429, 436;
30/388; 81/52, 54, 55, 57.11, 57.13, 57.14,
81/57.33, 57.42, 73, 177.4, 436, 437, 439,
81/440, 489, 177.1, 177.8, 177.85, 409, 429;
173/13, 15, 19, 47, 48, 81, 93, 93.5, 93.6,
173/94, 104, 109, 168, 169, 170, 171, 176,
173/178, 180

See application file for complete search history.

(56) **References Cited**

U.S. PATENT DOCUMENTS

D162,794 S	*	4/1951	Derr	D8/95
2,804,110 A	*	8/1957	Collins	30/503.5
2,916,066 A	*	12/1959	Morse	30/166.3
D193,496 S		8/1962	Jacoff		
D266,644 S	*	10/1982	Shimizu	D8/95
D291,171 S	*	8/1987	Ygfors	D7/649
D311,854 S	*	11/1990	Wilson et al.	D8/98
D323,448 S		1/1992	Salviato		
D329,796 S		9/1992	Olson et al.		
D400,421 S	*	11/1998	Okada	D8/97
D425,365 S		5/2000	Chien		
D436,013 S	*	1/2001	Eriksson et al.	D8/95

D441,631 S	*	5/2001	Carroll	D8/98
D443,192 S	*	6/2001	Hopf	D8/107
D447,678 S		9/2001	Staton et al.		
6,471,186 B1		10/2002	Lawless		
6,530,125 B2		3/2003	Shippert		
D500,240 S	*	12/2004	Fancelli	D8/97
D508,193 S	*	8/2005	Tran	D8/95
D528,892 S	*	9/2006	Okada	D8/97

OTHER PUBLICATIONS

Flat Bar Tool, A1 Tool located at 1134 Hwy UU, Bolivar, Missouri 65613 Phone (417) 376-2848.

Pistol Grip Paintless Dent Removal Tool, A1 Tool located at 1134 Hwy UU, Bolivar, Missouri 65613.

* cited by examiner

Primary Examiner—Alan P. Douglas

Assistant Examiner—Barbara Fox

(74) *Attorney, Agent, or Firm*—Richard L. Marsh

(57) **CLAIM**

The ornamental design for a tool handle, as shown and described.

DESCRIPTION

FIG. 1 is a left side plan view of the tool handle of this invention, the right side plan view is a mirror image.

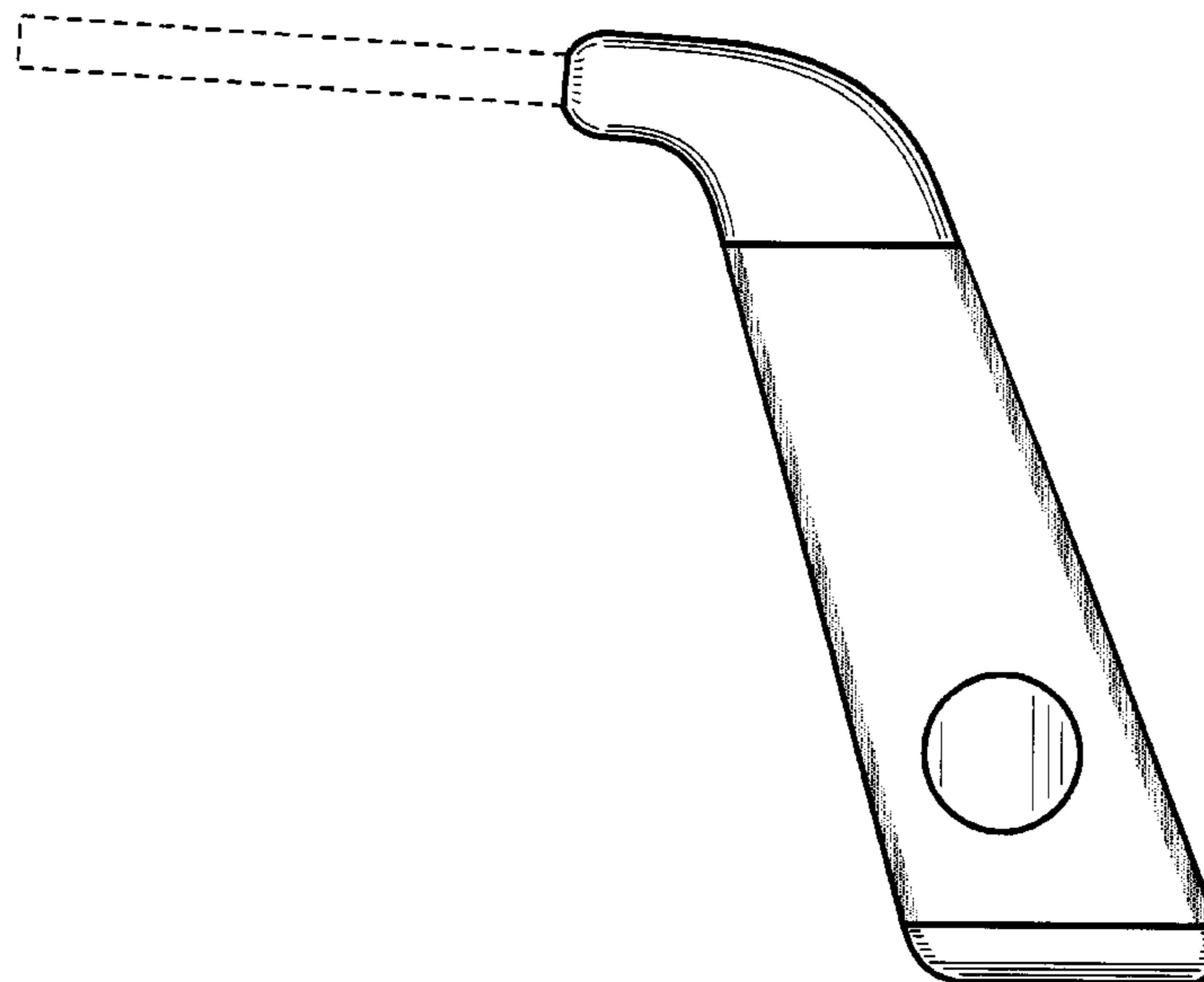
FIG. 2 is a front plan view of the tool handle design of FIG. 1.

FIG. 3 is a rear plan view of the tool handle design of FIG. 1.

FIG. 4 is a top plan view of the tool handle design of FIG. 1; and,

FIG. 5 is a bottom view of the tool handle design of FIG. 1. The dashed lines depicting a tool shank form no part of the design of this invention.

1 Claim, 1 Drawing Sheet



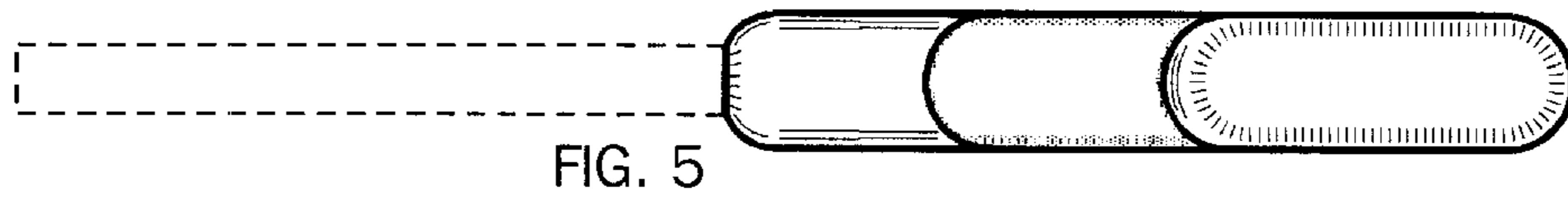


FIG. 5

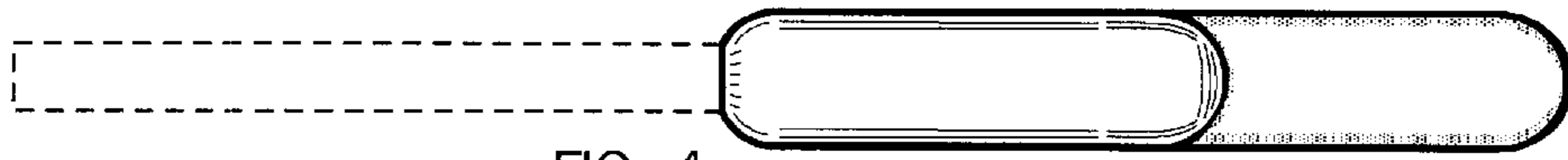


FIG. 4

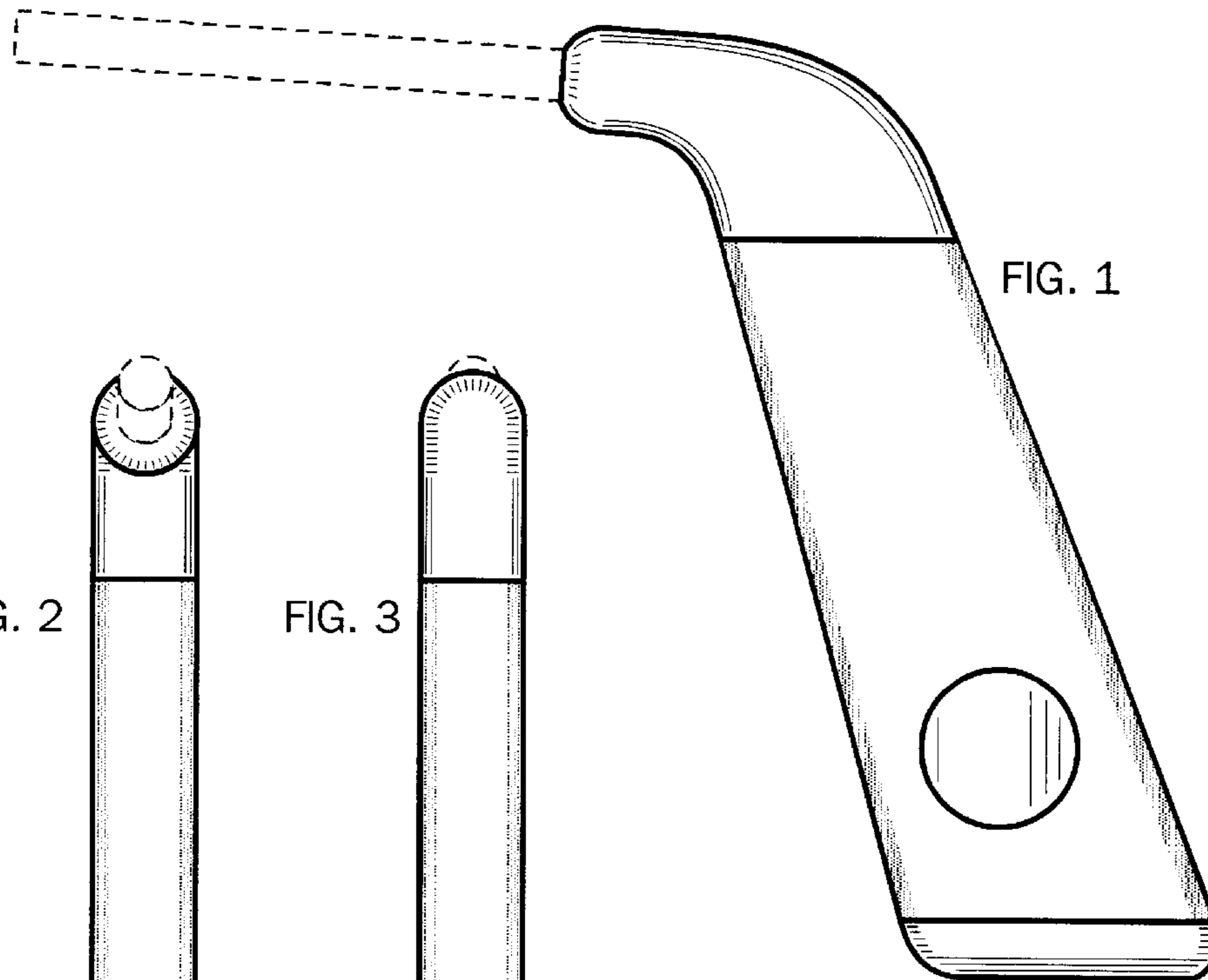


FIG. 1

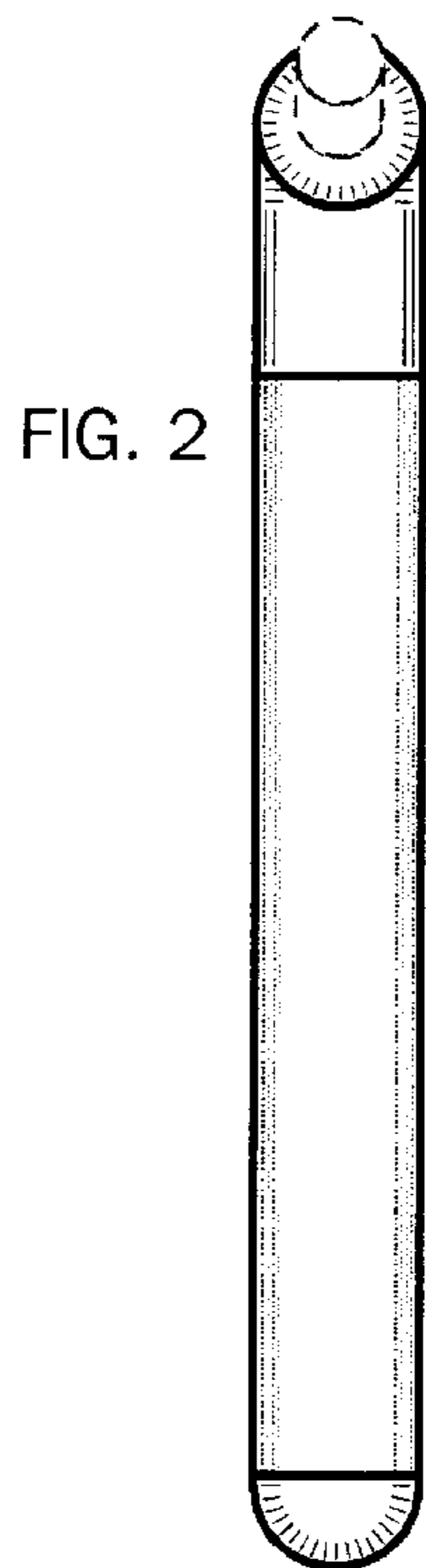


FIG. 2

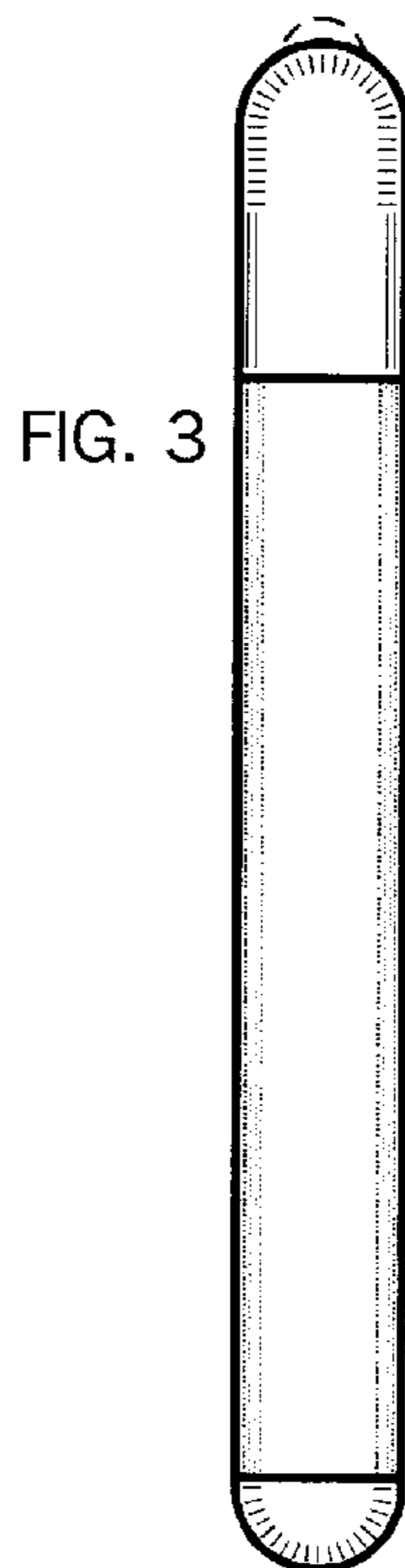


FIG. 3