



US00D544328S

(12) **United States Design Patent**
Ranieri

(10) **Patent No.:** **US D544,328 S**

(45) **Date of Patent:** **** Jun. 12, 2007**

(54) **CLAMP**

(75) Inventor: **Eric Ranieri**, Becanson (FR)

(73) Assignee: **The Stanley Works**, New Britain, CT (US)

(**) Term: **14 Years**

(21) Appl. No.: **29/265,908**

(22) Filed: **Sep. 12, 2006**

(51) **LOC (8) Cl.** **08-05**

(52) **U.S. Cl.** **D8/72**

(58) **Field of Classification Search** D8/71-74,
D8/394, 59; 269/3, 6, 143, 147-149, 95,
269/240, 246, 247, 249; 81/355, 356, 353,
81/487; 29/257, 276; D15/140

See application file for complete search history.

(56) **References Cited**

U.S. PATENT DOCUMENTS

638,835	A *	12/1899	Coran	269/240
877,695	A *	1/1908	Baker	269/246
957,520	A *	5/1910	Stearns	269/247
977,802	A *	12/1910	Jensen	269/246
982,668	A *	1/1911	Hahn	269/246
1,176,019	A *	3/1916	Baker	269/246
D145,641	S *	9/1946	Thompson	D8/74
D151,792	S *	11/1948	Smith	D8/72

D164,143	S *	7/1951	Vogl	D8/74
D178,249	S *	7/1956	Knudsen	D8/72
D213,727	S *	4/1969	Barvineck et al.	D8/74
D234,245	S *	2/1975	McGhee	D8/74
D471,070	S *	3/2003	Howell	D8/72

* cited by examiner

Primary Examiner—Louis Zarfaz

Assistant Examiner—David Muller

(74) *Attorney, Agent, or Firm*—Pillsbury Winthrop Shaw Pittman LLP

(57) **CLAIM**

The ornamental design for a clamp, as shown and described.

DESCRIPTION

FIG. 1 is a perspective illustration, from the front and right side, of a clamp according to my design;

FIG. 2 is a right elevation view thereof;

FIG. 3 is a left elevation view thereof;

FIG. 4 is a front elevation view thereof;

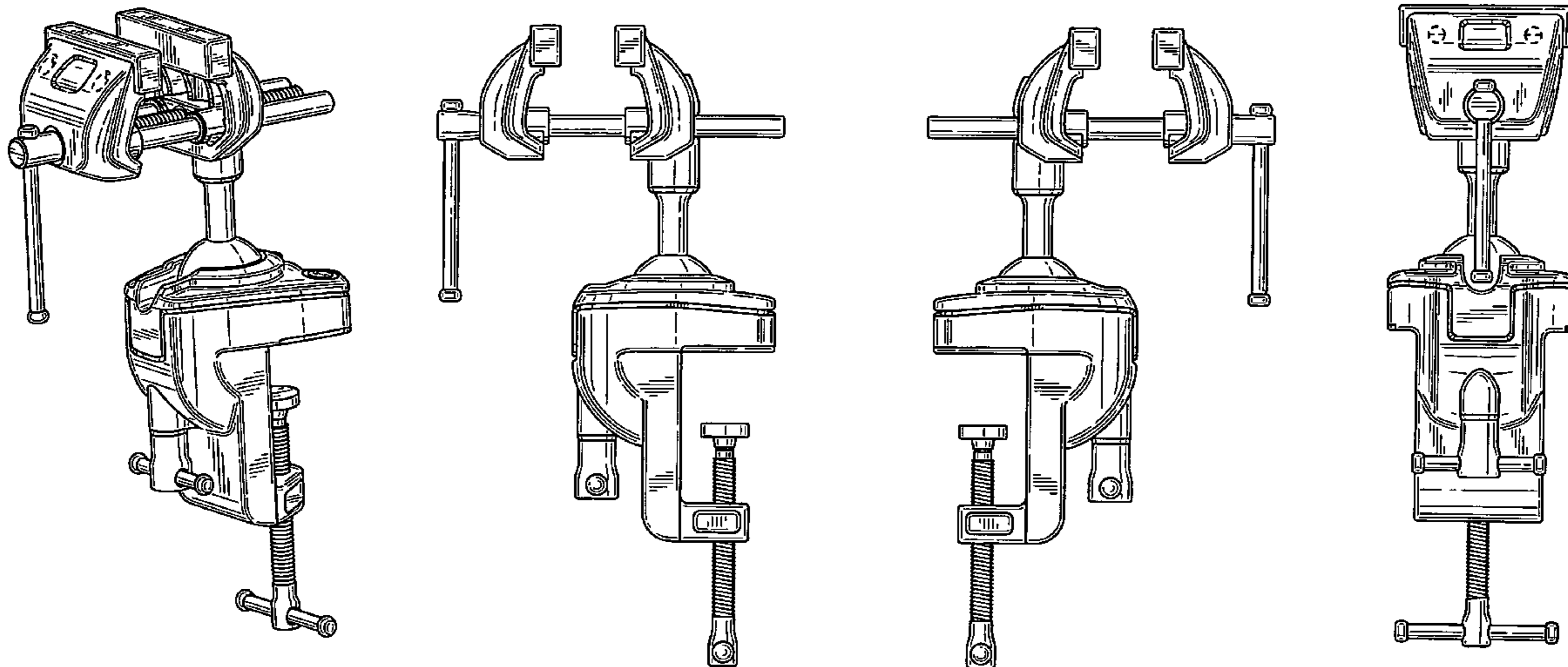
FIG. 5 is a rear elevation view thereof;

FIG. 6 is a top plan view thereof; and,

FIG. 7 is a bottom plan view thereof.

In FIGS. 1-7, broken lines showing structure are for illustrative purposes only and form no part of the claimed design.

1 Claim, 4 Drawing Sheets



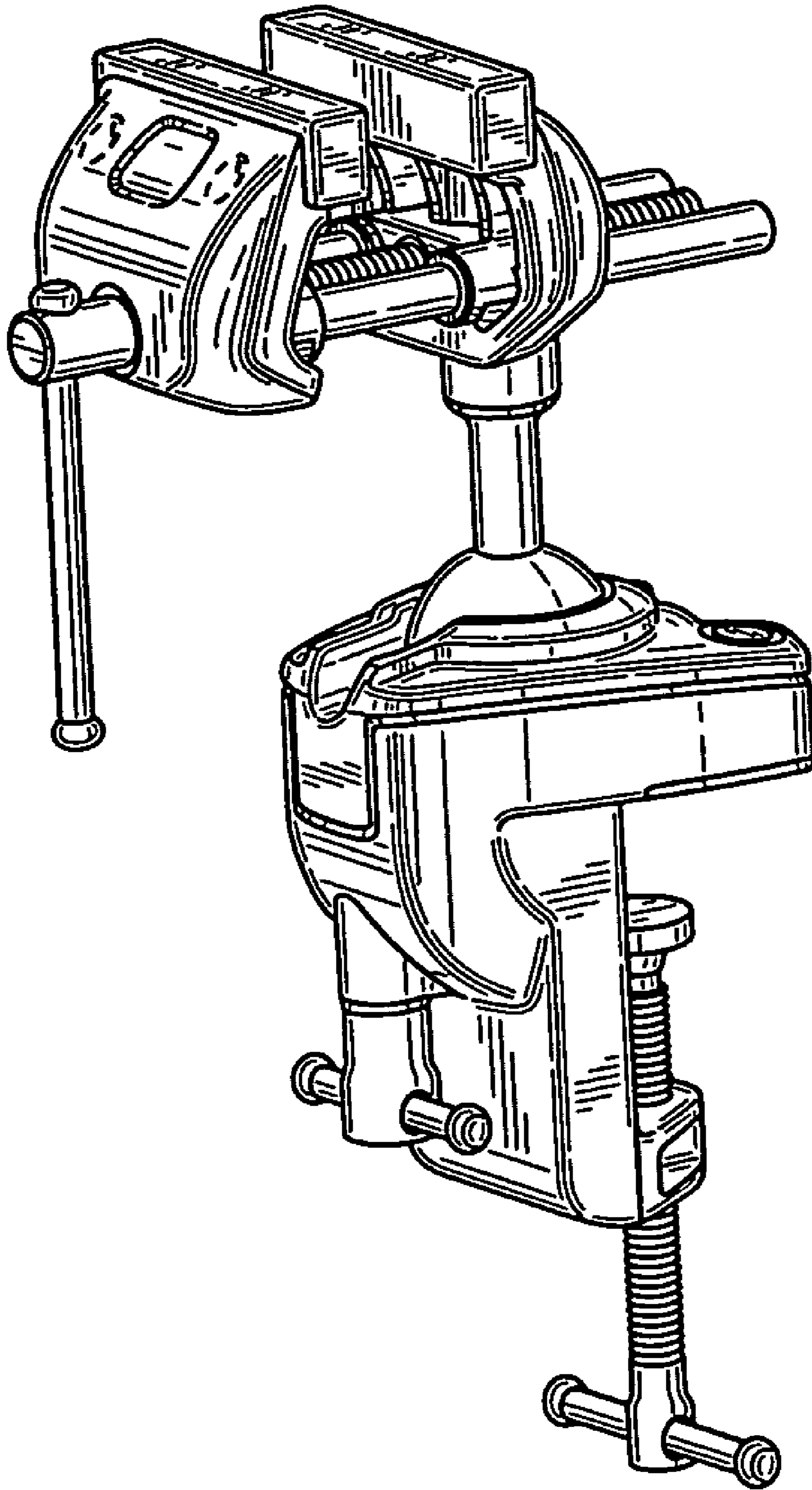


FIG. 1

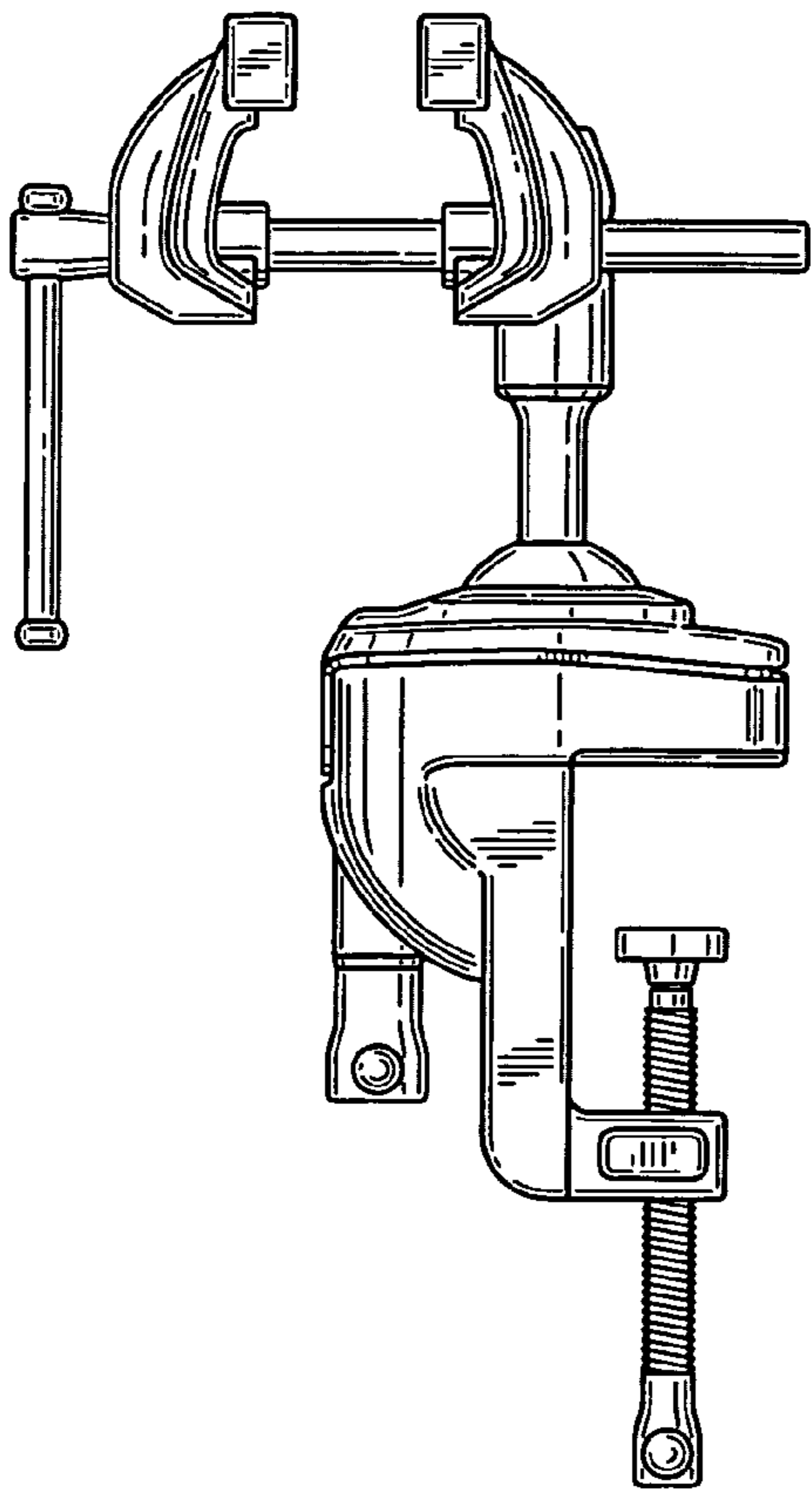


FIG. 2

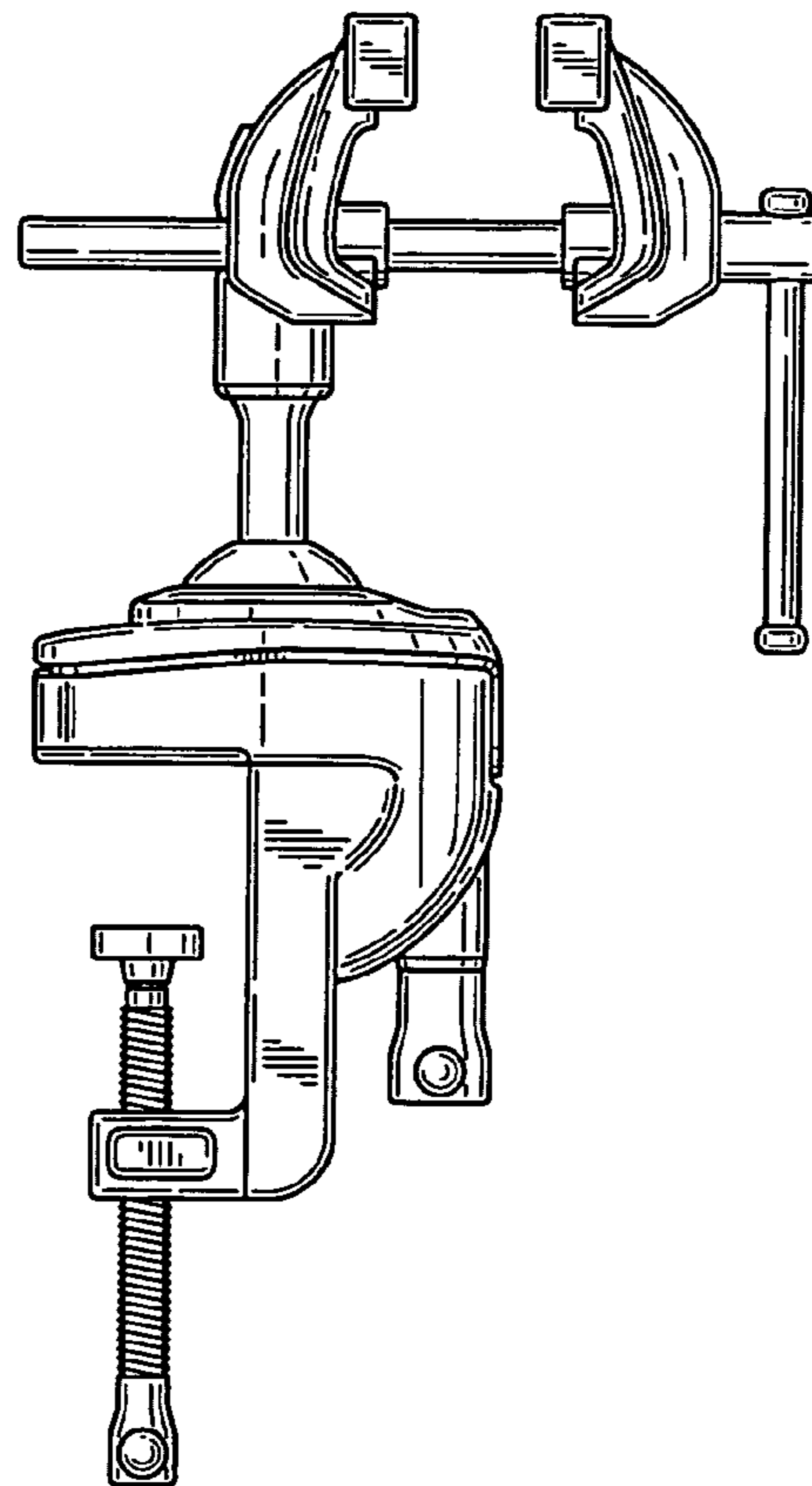


FIG. 3

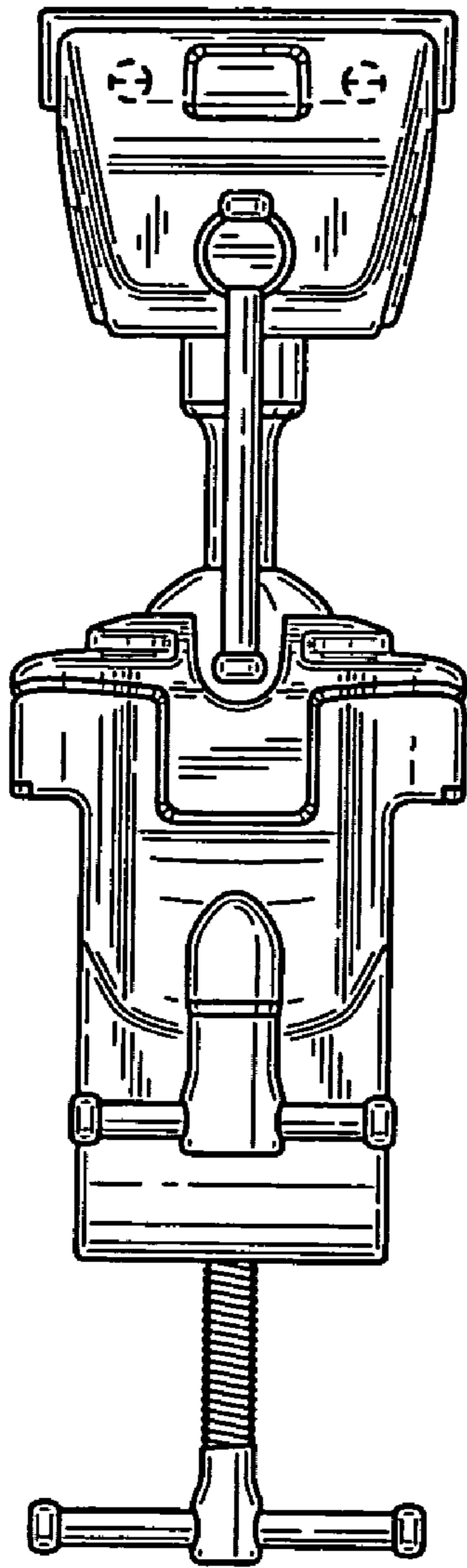


FIG. 4

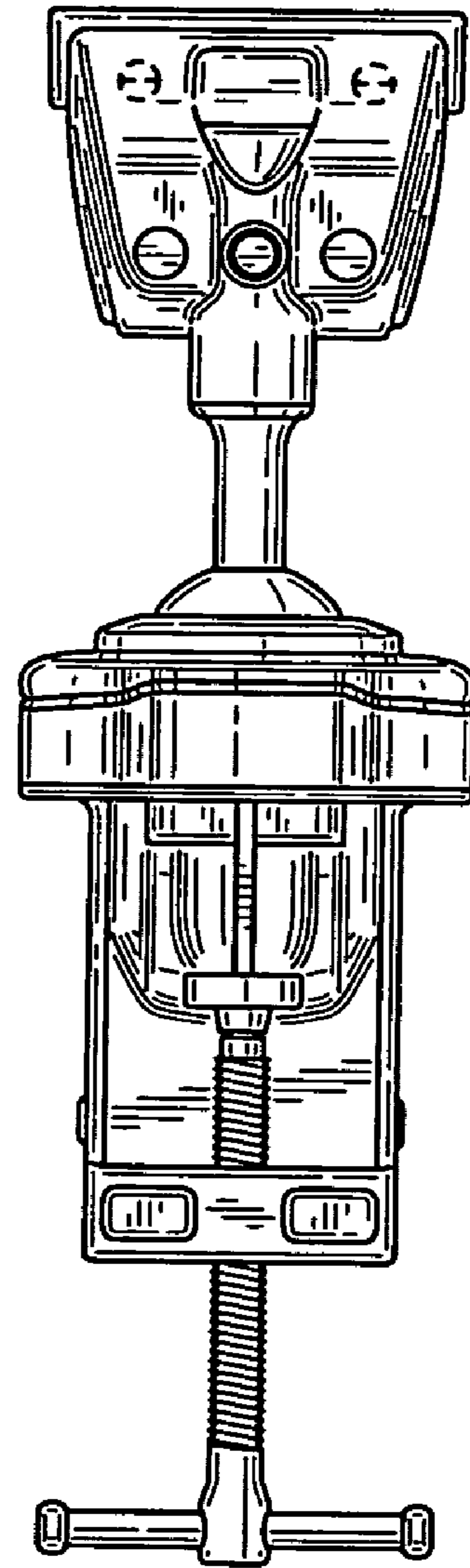


FIG. 5

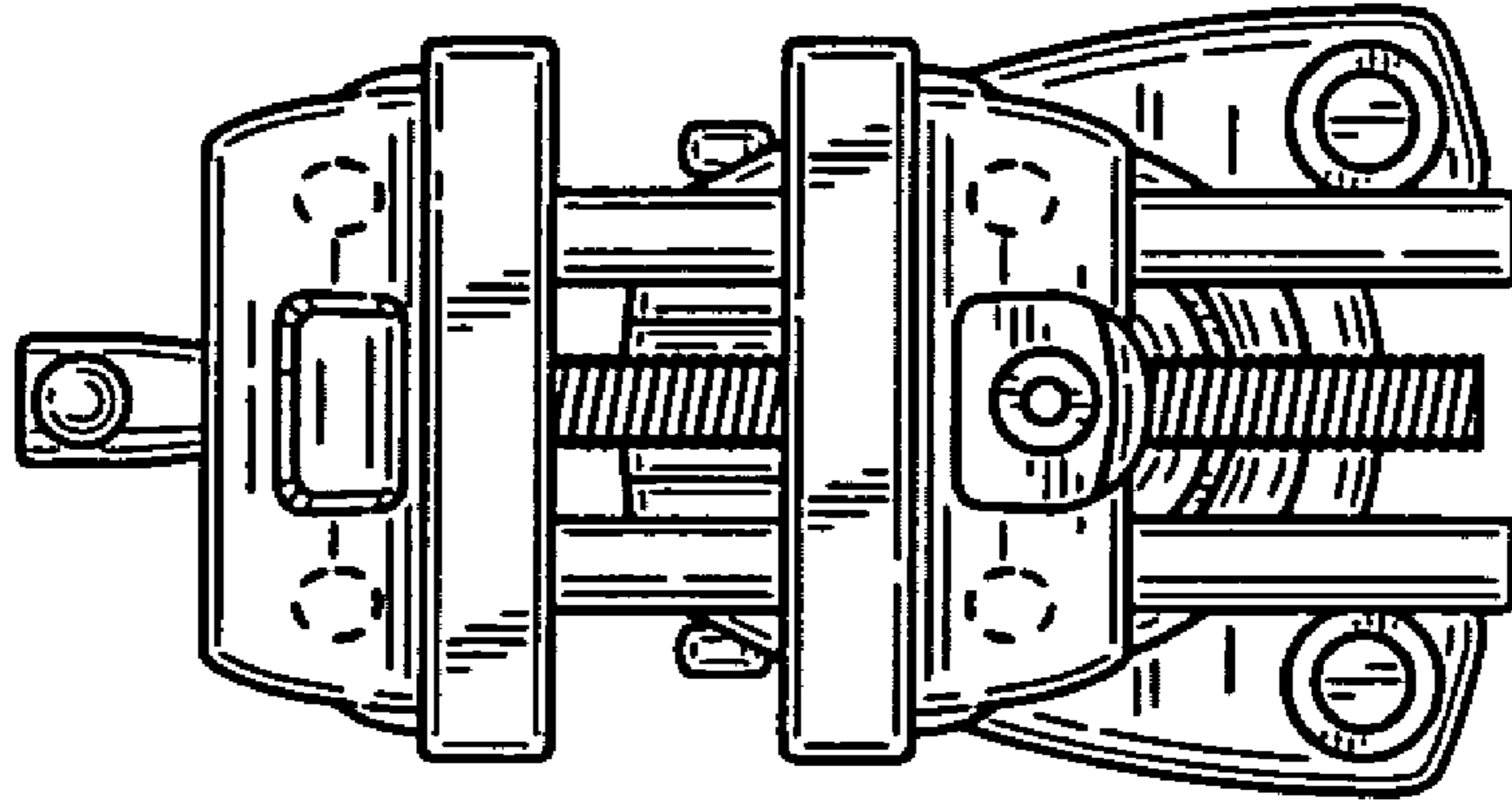


FIG. 6

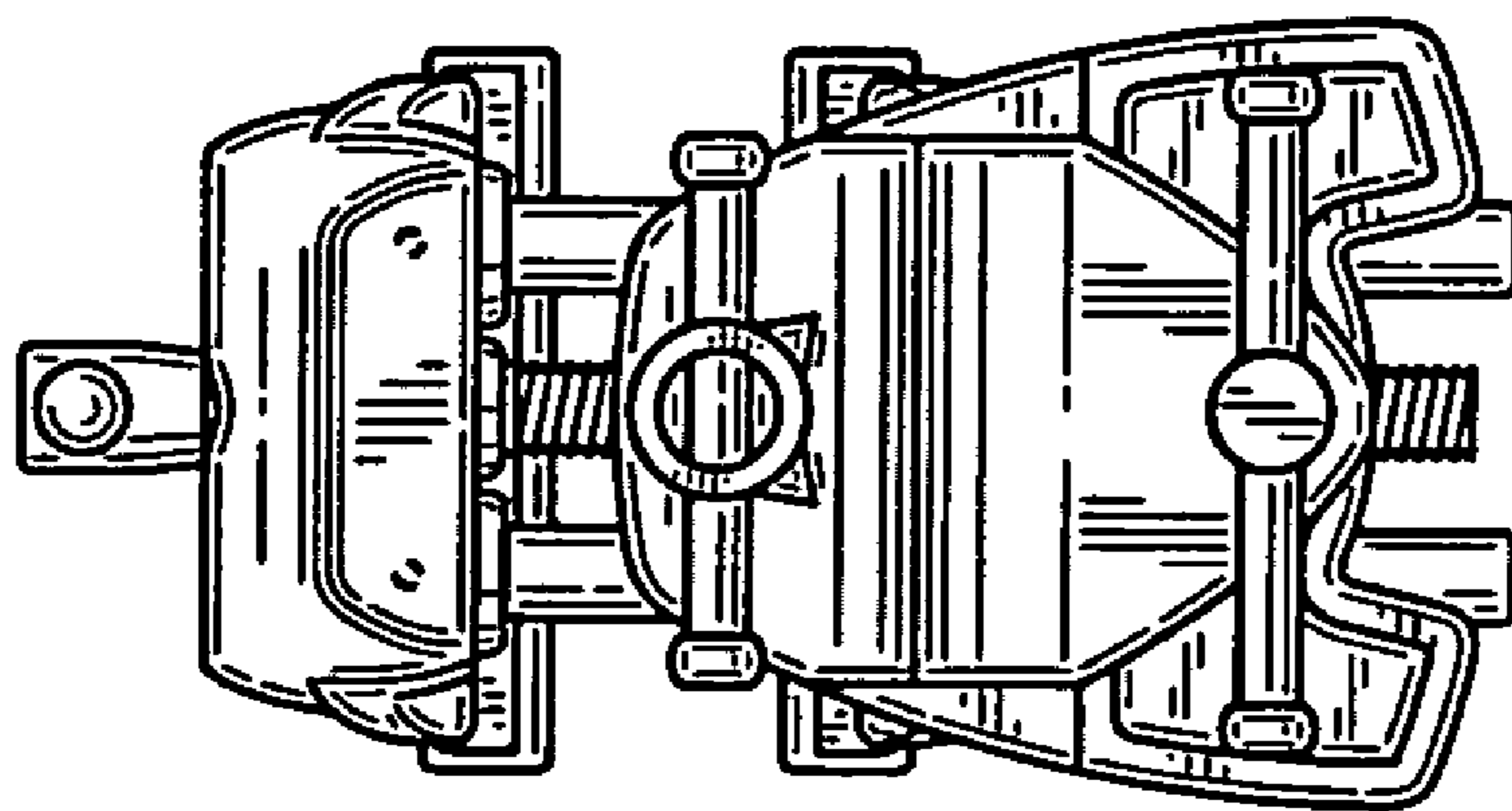


FIG. 7