

US00D544327S

(12) **United States Design Patent**
Sterpka et al.

(10) **Patent No.:** **US D544,327 S**

(45) **Date of Patent:** **** Jun. 12, 2007**

(54) **RECIPROCATING SAW**

(75) Inventors: **Frank Sterpka**, West Hartford, CT (US); **Ricardo Perez**, Hartford, CT (US)

(73) Assignee: **Credo Technology Corporation**, Wilmington, DE (US)

(**) Term: **14 Years**

(21) Appl. No.: **29/264,519**

(22) Filed: **Aug. 12, 2006**

(51) **LOC (8) Cl.** **08-03**

(52) **U.S. Cl.** **D8/64**

(58) **Field of Classification Search** D8/69, D8/68, 67, 66, 65, 64, 62, 61; 30/92, 394, 30/393, 392, 377, 376, 371; 74/50, 49; 173/217, 173/216; 83/699.21; 446/145

See application file for complete search history.

(56) **References Cited**

U.S. PATENT DOCUMENTS

D468,982 S *	1/2003	Brazell et al.	D8/64
D479,453 S *	9/2003	Lind et al.	D8/64
D504,603 S *	5/2005	Xiaoxian	D8/64
D506,117 S *	6/2005	Sun et al.	D8/64
D523,310 S *	6/2006	Wikle et al.	D8/64
D524,130 S *	7/2006	Wolf et al.	D8/64
D525,842 S *	8/2006	Andriolo	D8/64
D527,596 S *	9/2006	Andriolo	D8/64
D527,597 S *	9/2006	Andriolo	D8/64
D534,778 S *	1/2007	Chu	D8/64

* cited by examiner

Primary Examiner—Cathron C. Brooks

Assistant Examiner—Austin Murphy

(74) *Attorney, Agent, or Firm*—Victor A. Henzi

(57) **CLAIM**

The ornamental design for a reciprocating saw, as shown and described.

DESCRIPTION

FIG. 1 is a front right perspective view of a first embodiment of the present new design for a reciprocating saw;

FIG. 2 is a left elevational view thereof;

FIG. 3 is a right elevational view thereof;

FIG. 4 is a top plan view thereof;

FIG. 5 is a bottom plan view thereof;

FIG. 6 is a front elevational view thereof;

FIG. 7 is a rear elevational view thereof;

FIG. 8 is a front right perspective view of a second embodiment of the present new design for a reciprocating saw;

FIG. 9 is a left elevational view thereof;

FIG. 10 is a right elevational view thereof;

FIG. 11 is a top plan view thereof;

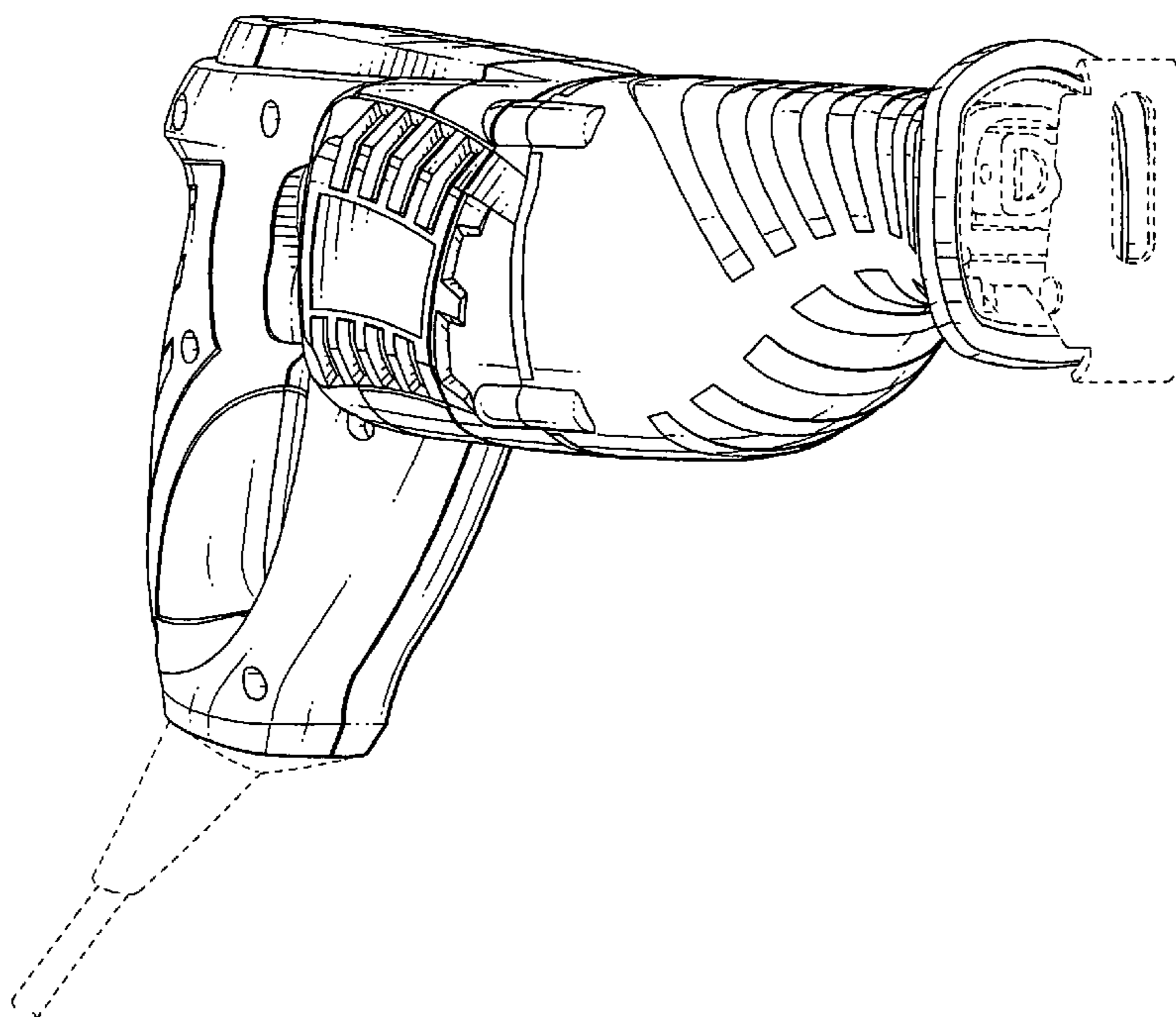
FIG. 12 is a bottom plan view thereof;

FIG. 13 is a front elevational view thereof; and,

FIG. 14 is a rear elevational view thereof.

The broken lines showing various portions of a reciprocating saw are for illustrative purposes only and form no part of the claimed design.

1 Claim, 10 Drawing Sheets



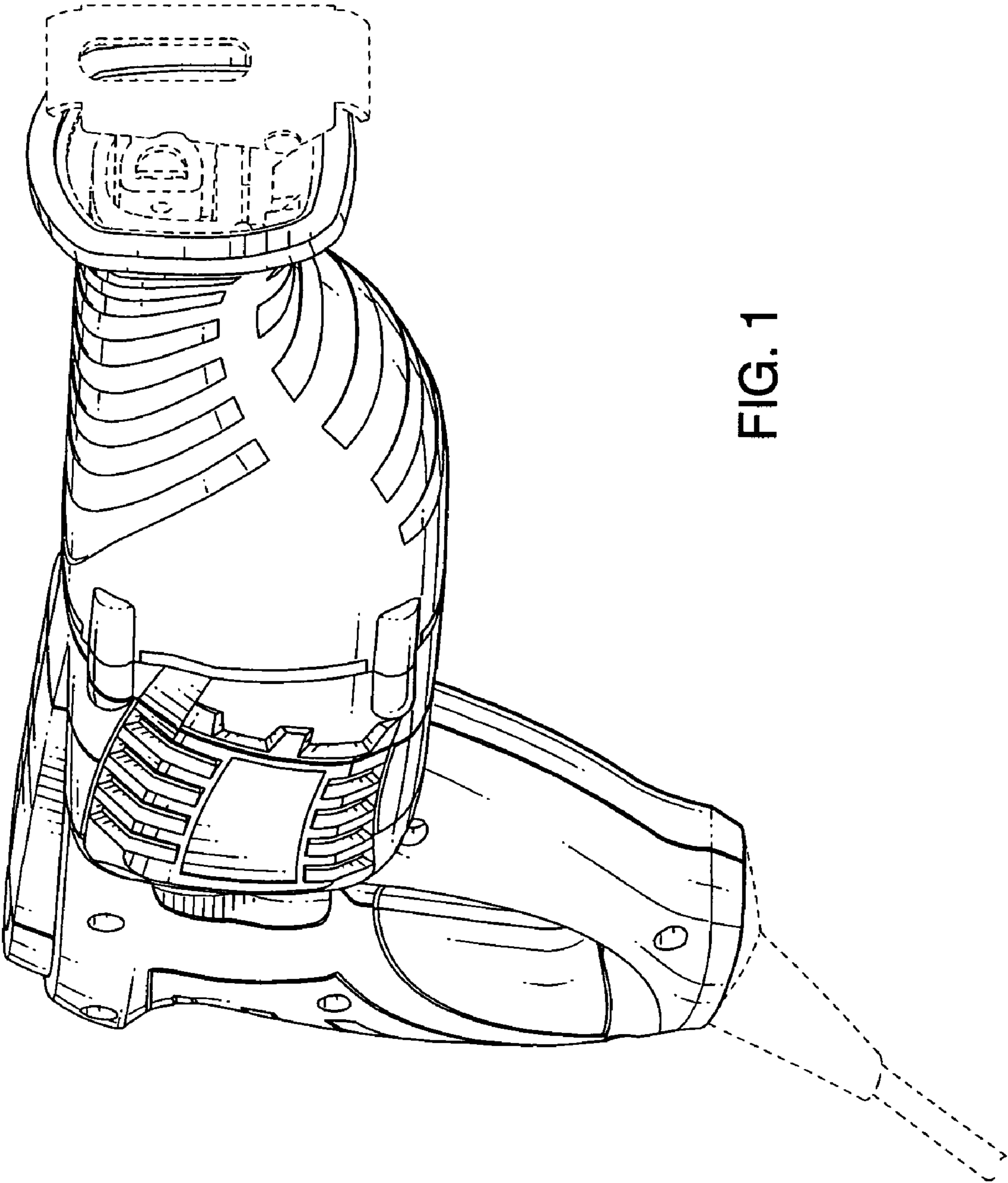


FIG. 1

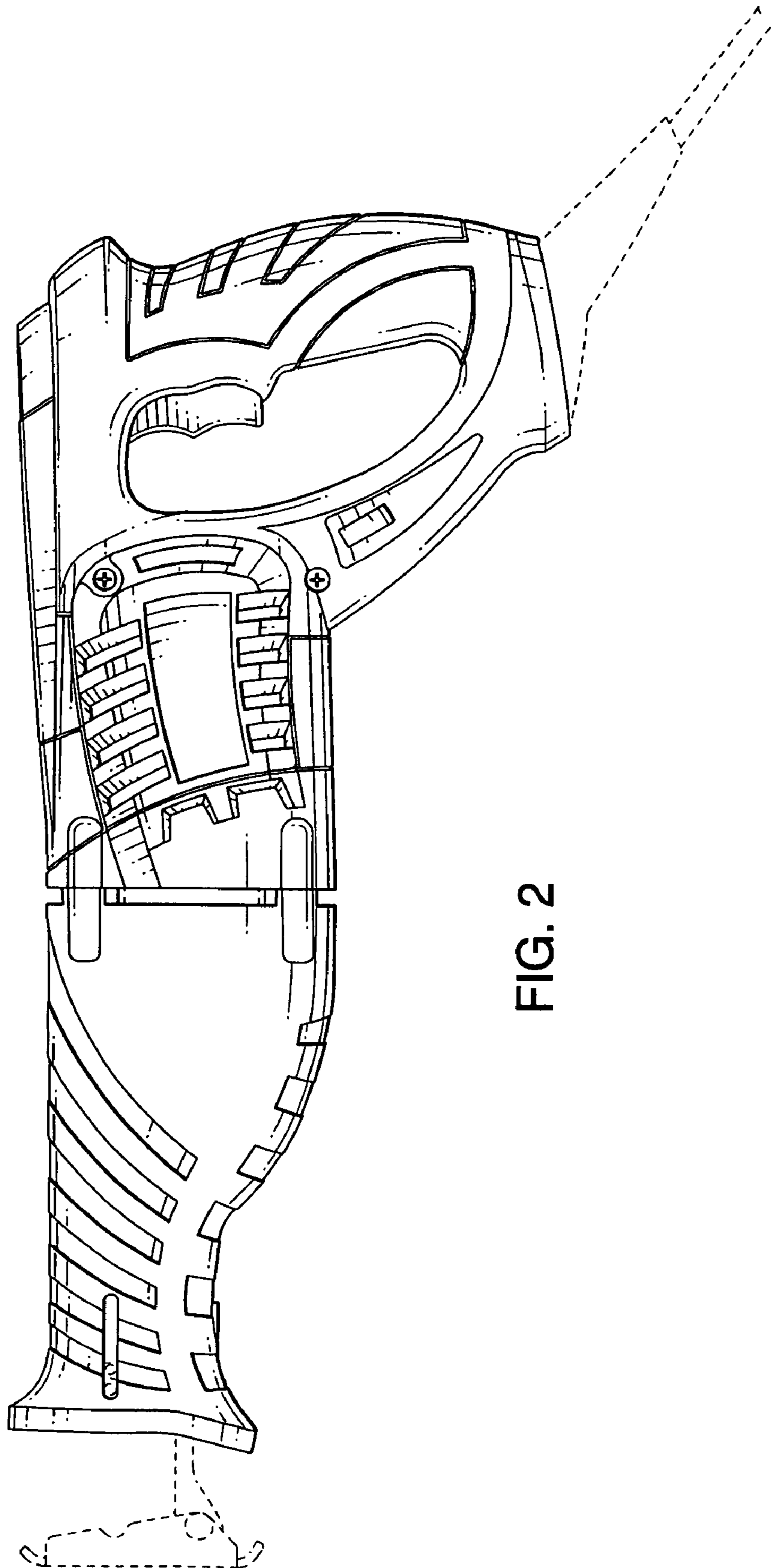


FIG. 2

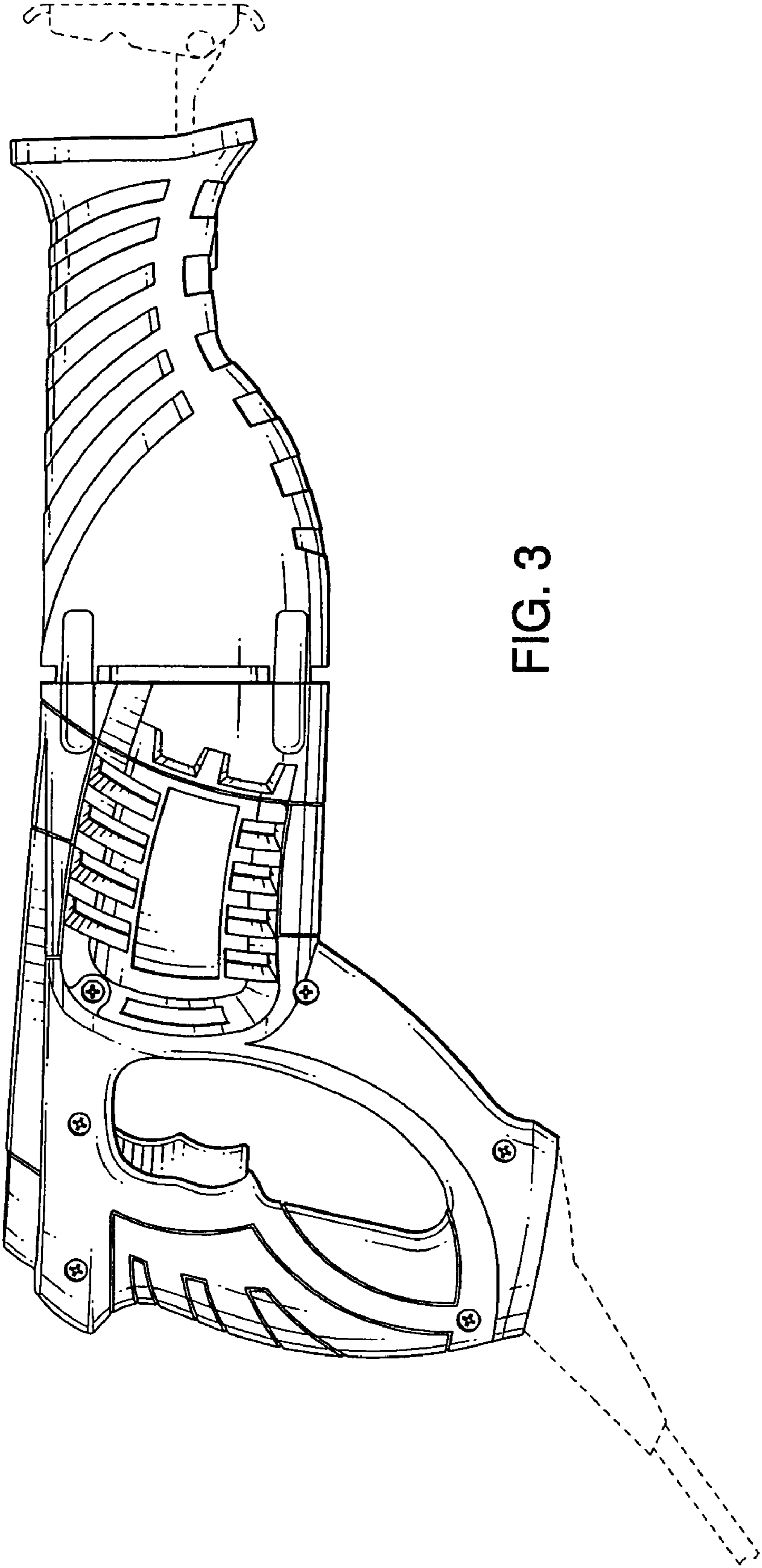


FIG. 3

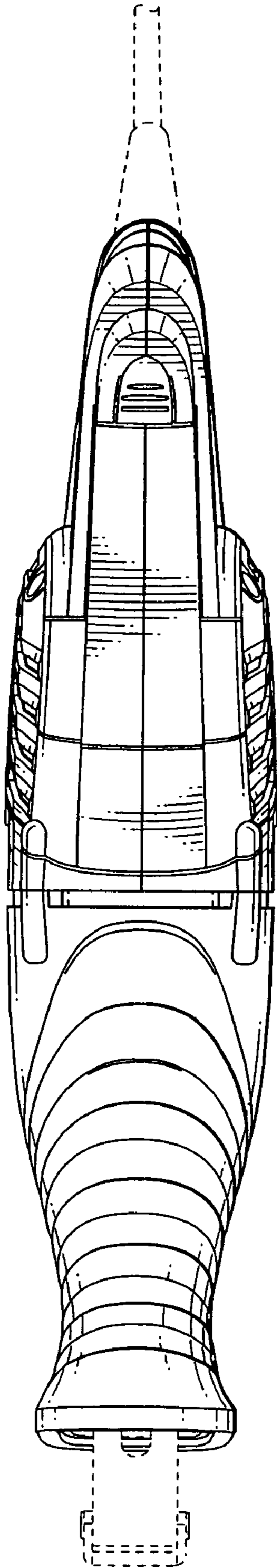


FIG. 4

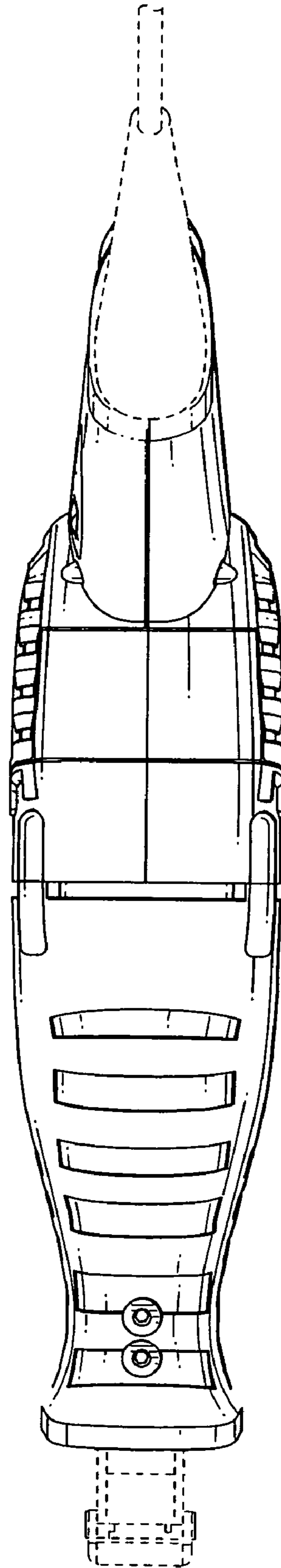


FIG. 5

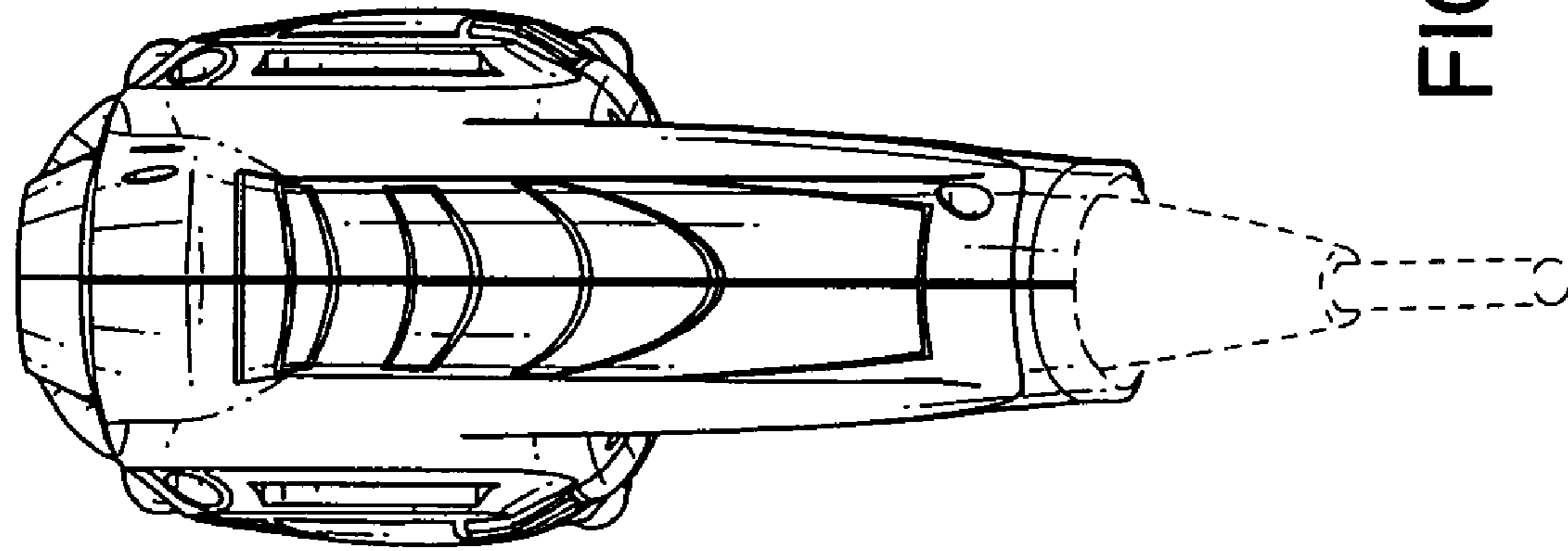


FIG. 6

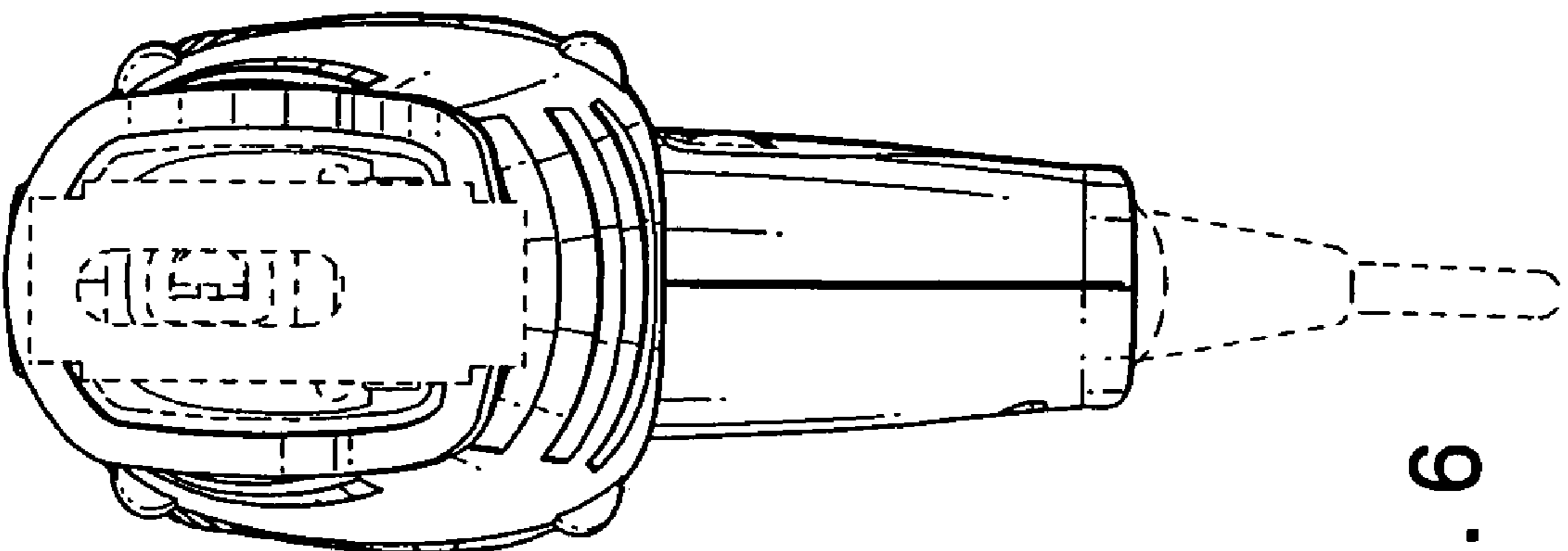


FIG. 7

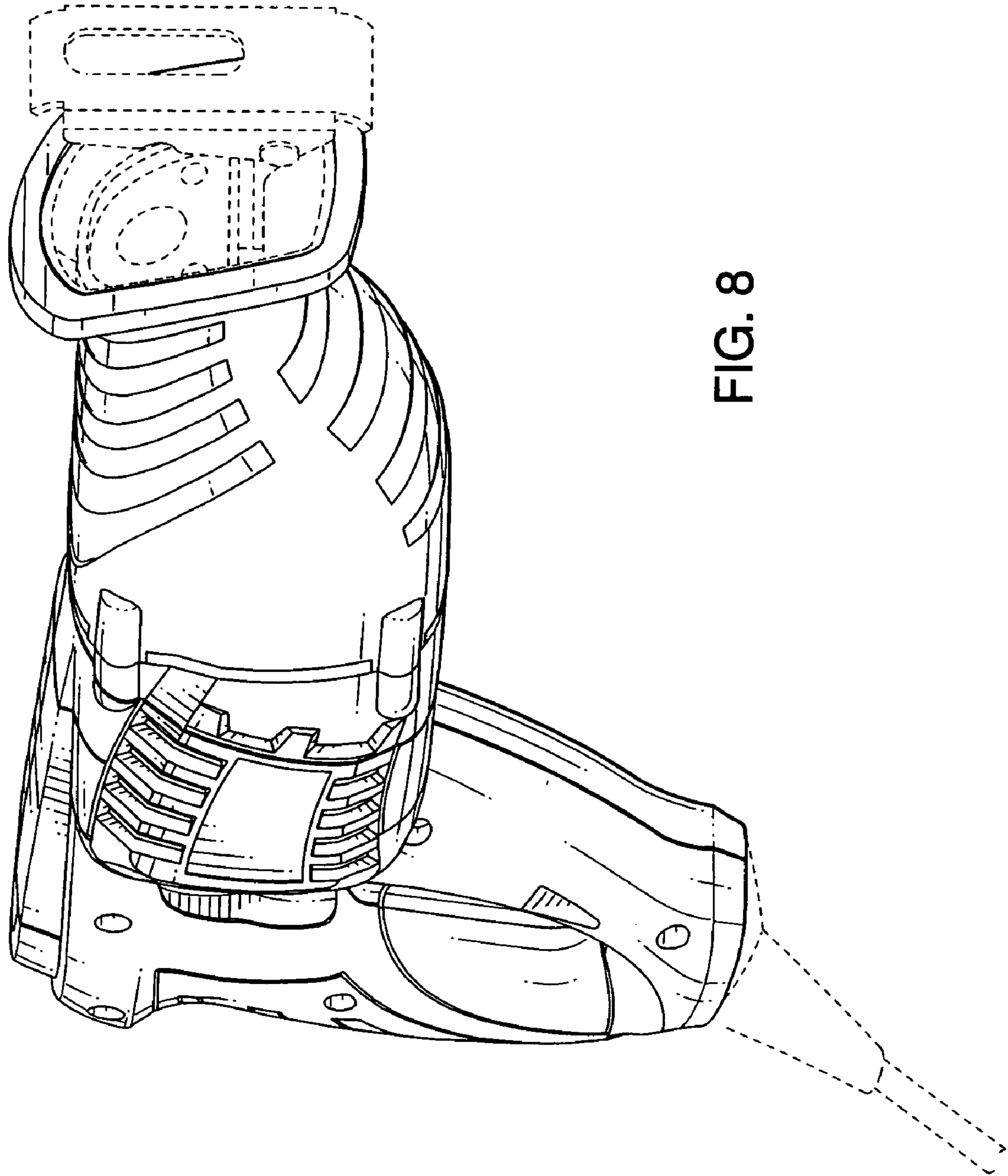


FIG. 8

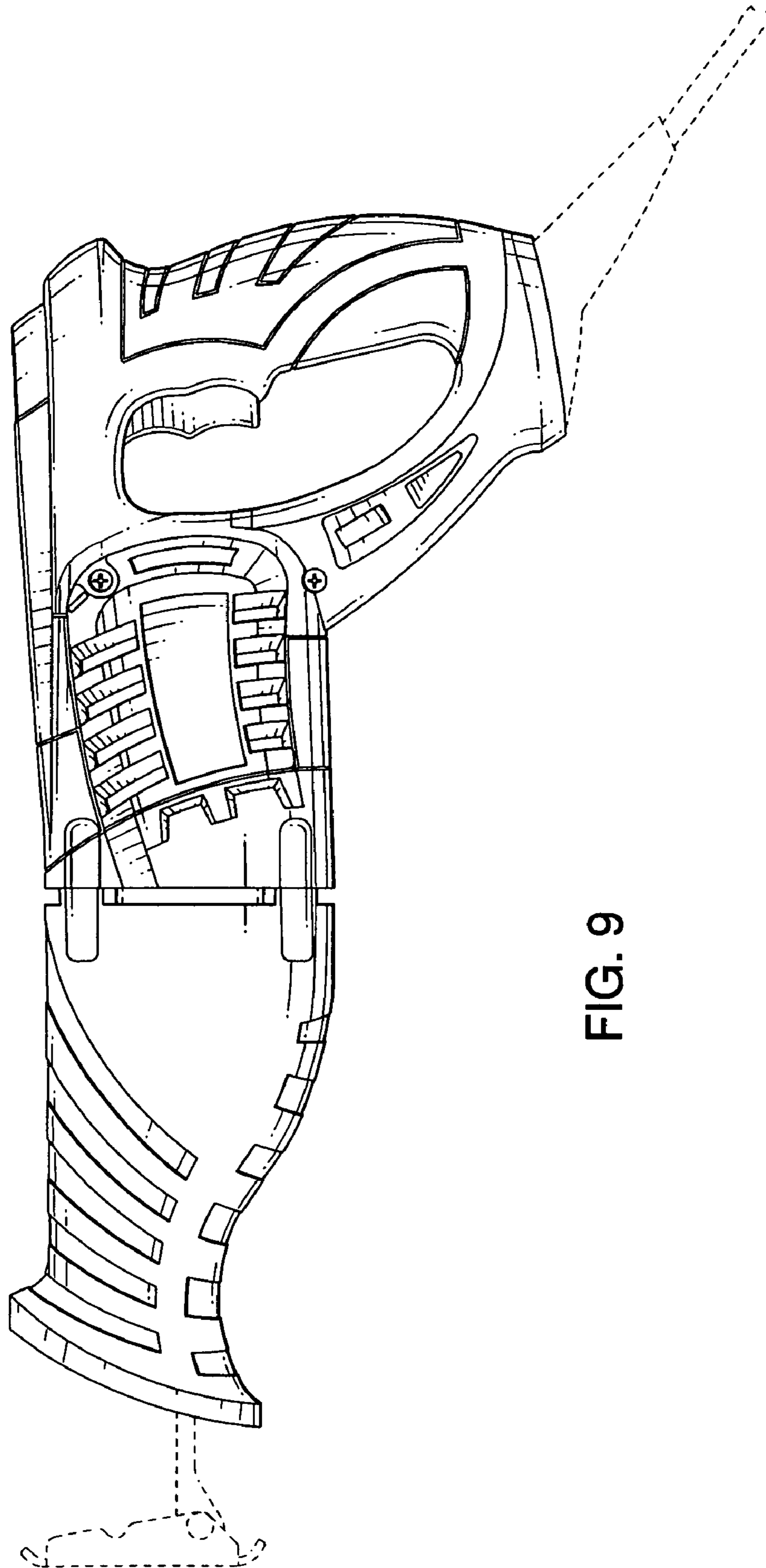


FIG. 9

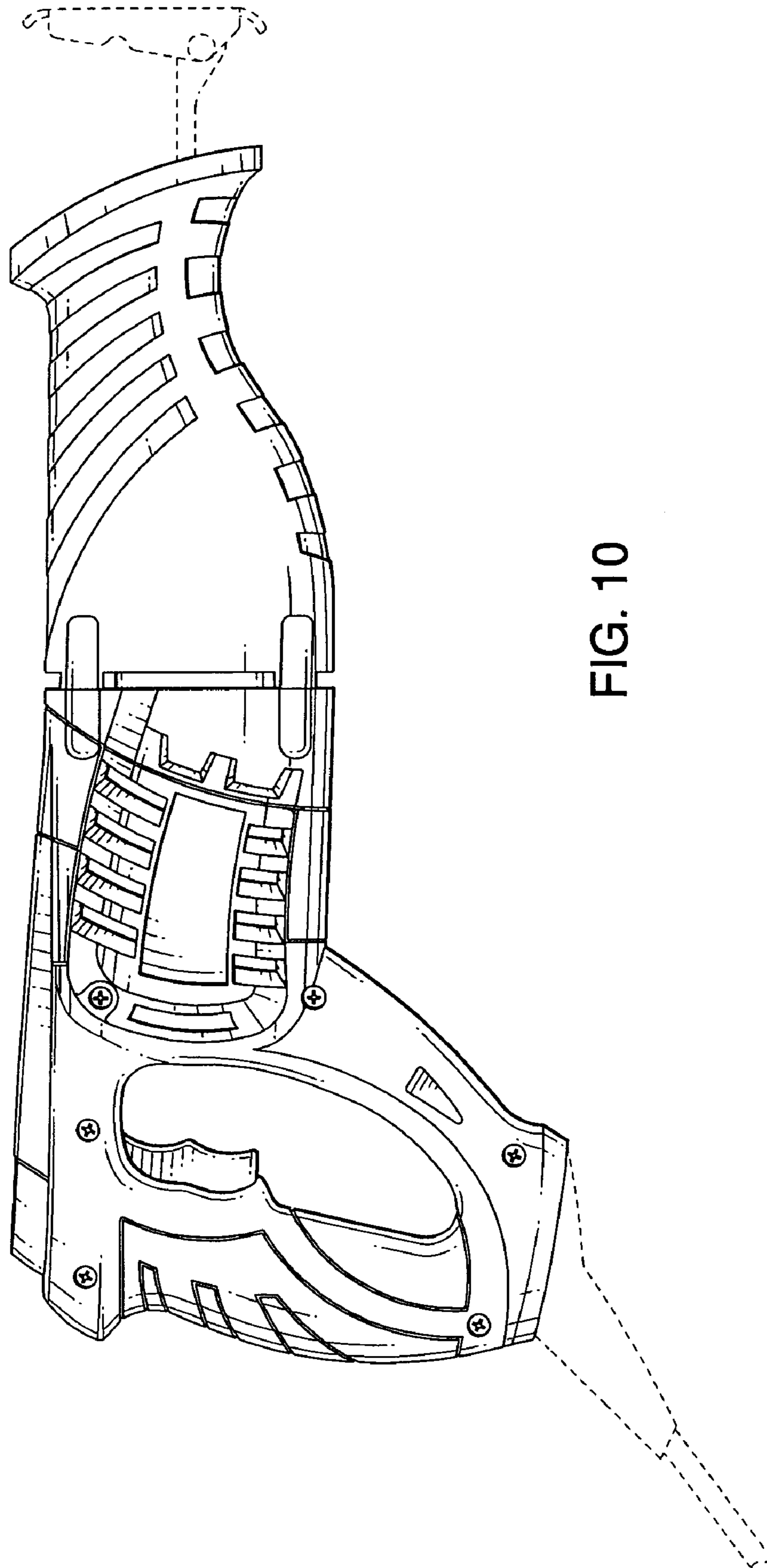


FIG. 10

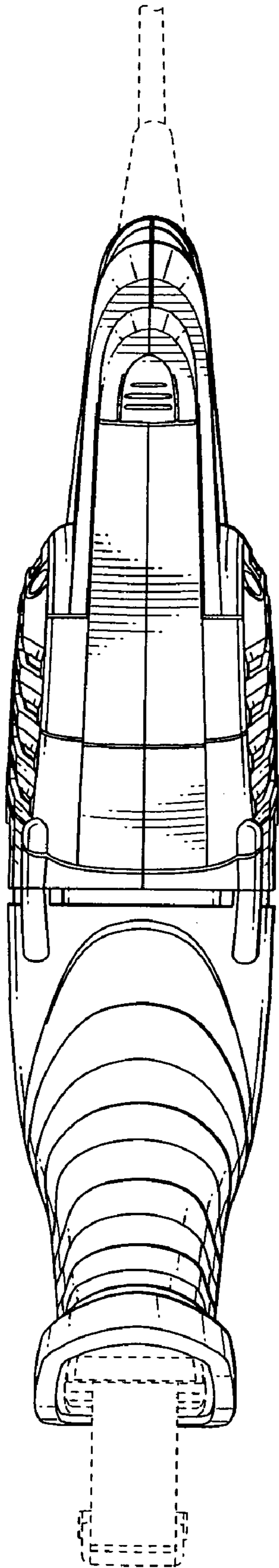


FIG. 11

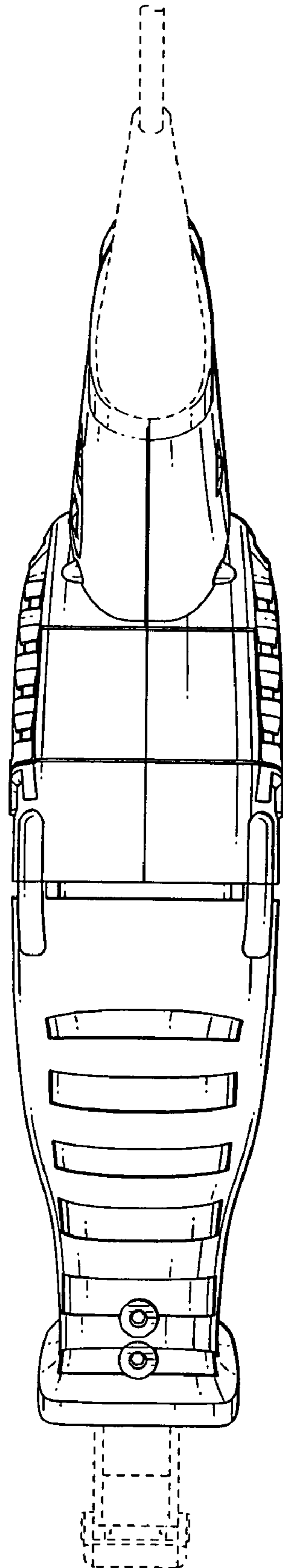


FIG. 12

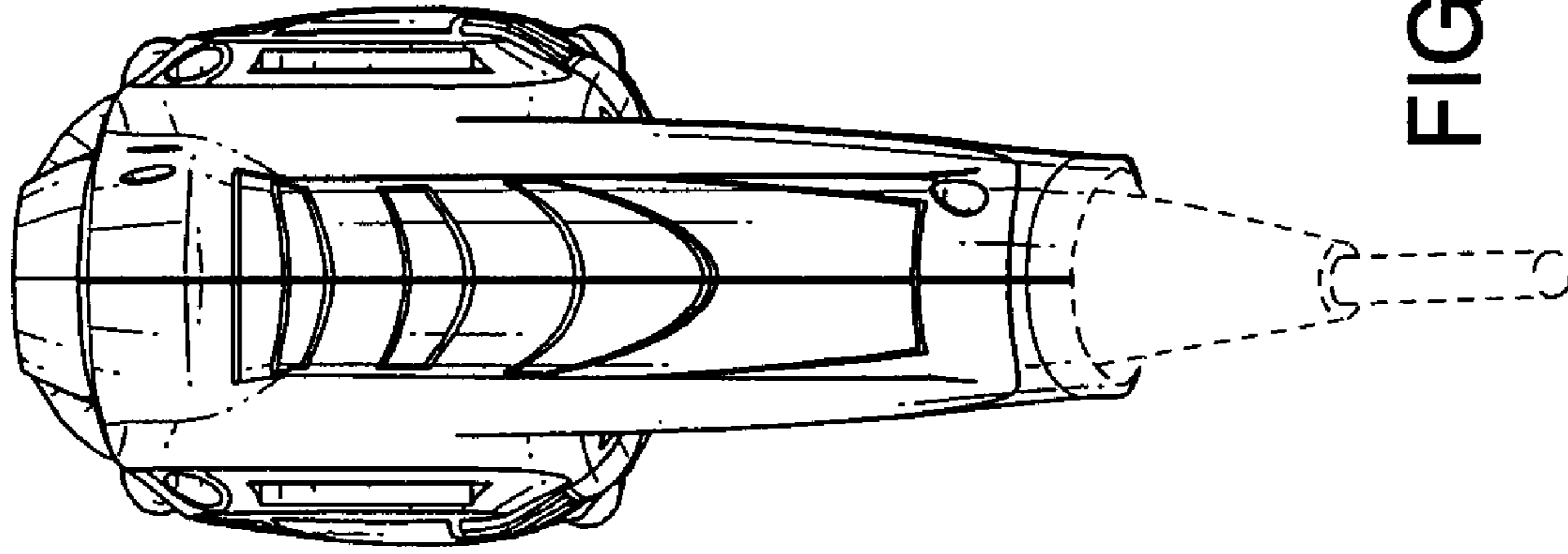


FIG. 14

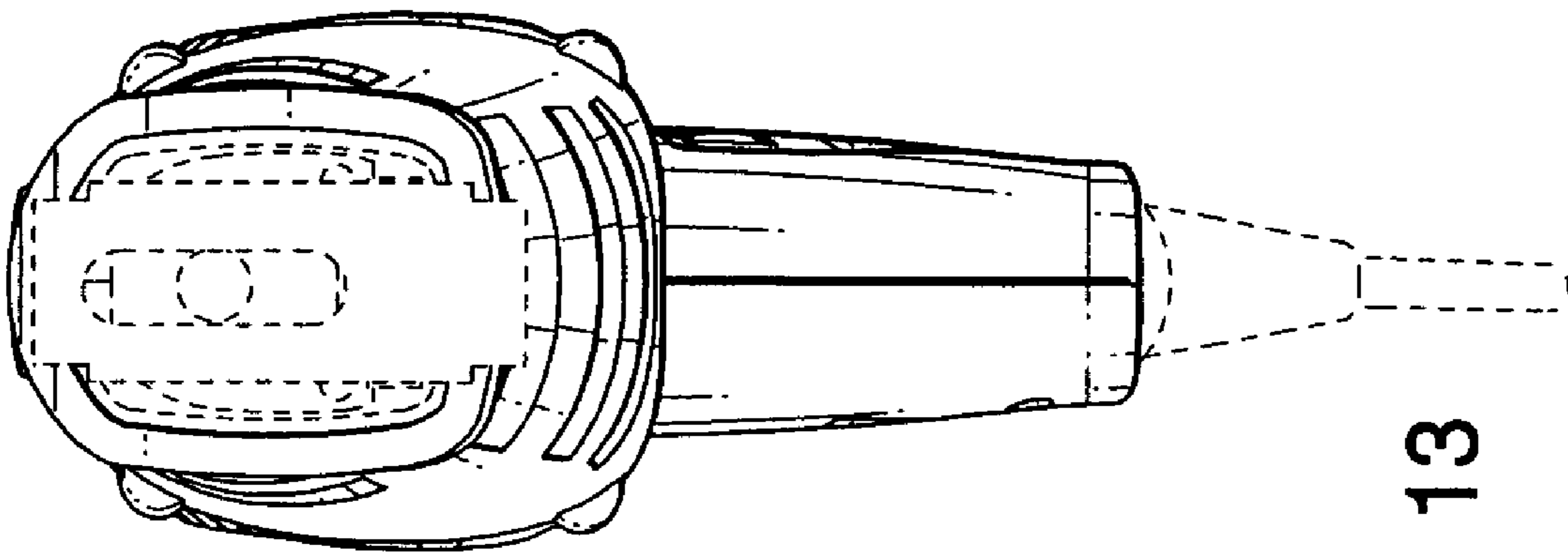


FIG. 13