

US00D544326S

(12) **United States Design Patent**  
**Sterpka et al.**

(10) **Patent No.:** **US D544,326 S**

(45) **Date of Patent:** **\*\* Jun. 12, 2007**

(54) **ANGLE GRINDER**

(75) Inventors: **Frank Sterpka**, West Hartford, CT  
(US); **Ricardo Perez**, Hartford, CT  
(US)

(73) Assignee: **Credo Technology Corporation**,  
Wilmington, DE (US)

(\*\*) Term: **14 Years**

(21) Appl. No.: **29/265,305**

(22) Filed: **Aug. 29, 2006**

(51) **LOC (8) Cl.** ..... **08-01**

(52) **U.S. Cl.** ..... **D8/62**

(58) **Field of Classification Search** ..... D8/69,  
D8/67, 62, 61; 173/168; 451/294, 344,  
451/351, 359, 358, 357, 356, 354, 353, 451;  
30/500

See application file for complete search history.

(56) **References Cited**

**U.S. PATENT DOCUMENTS**

D295,824 S *	5/1988	Hoshino et al. ....	D8/62
D301,830 S *	6/1989	Ogawa et al. ....	D8/62
D328,841 S *	8/1992	Fushiya et al. ....	D8/62
D396,175 S *	7/1998	Chung .....	D8/62
D402,870 S *	12/1998	Etter et al. ....	D8/62
D408,244 S *	4/1999	Price .....	D8/62
D433,906 S *	11/2000	Heun .....	D8/62
D434,296 S *	11/2000	Ogasawara .....	D8/62
D437,199 S *	2/2001	Robson .....	D8/62
D438,077 S *	2/2001	Schmid .....	D8/61
D453,098 S *	1/2002	Pretzell .....	D8/62

D453,288 S *	2/2002	Lui .....	D8/62
6,527,630 B2 *	3/2003	Mannsperger et al. ....	451/344
D479,452 S *	9/2003	Cho .....	D8/62
D491,033 S *	6/2004	Bian .....	D8/62
D500,945 S *	1/2005	Wright .....	D8/62
6,872,121 B2 *	3/2005	Wiesner et al. ....	451/5
D511,285 S *	11/2005	Henssler et al. ....	D8/62
D522,826 S *	6/2006	Aglassinger .....	D8/62
D528,389 S *	9/2006	Wu .....	D8/62

\* cited by examiner

*Primary Examiner*—Cathron C. Brooks

*Assistant Examiner*—Austin Murphy

(74) *Attorney, Agent, or Firm*—Victor A. Henzi

(57) **CLAIM**

The ornamental design for the angle grinder, as shown and described.

**DESCRIPTION**

FIG. 1 is a rear left perspective view of the present new design for a angle grinder;

FIG. 2 is a left elevational view thereof;

FIG. 3 is a right elevational view thereof;

FIG. 4 is a top plan view thereof;

FIG. 5 is a bottom plan view thereof;

FIG. 6 is a front elevational view thereof; and,

FIG. 7 is a rear elevational view thereof.

The broken lines showing various portions of a angle grinder are for illustrative purposes only and form no part of the claimed design.

**1 Claim, 5 Drawing Sheets**

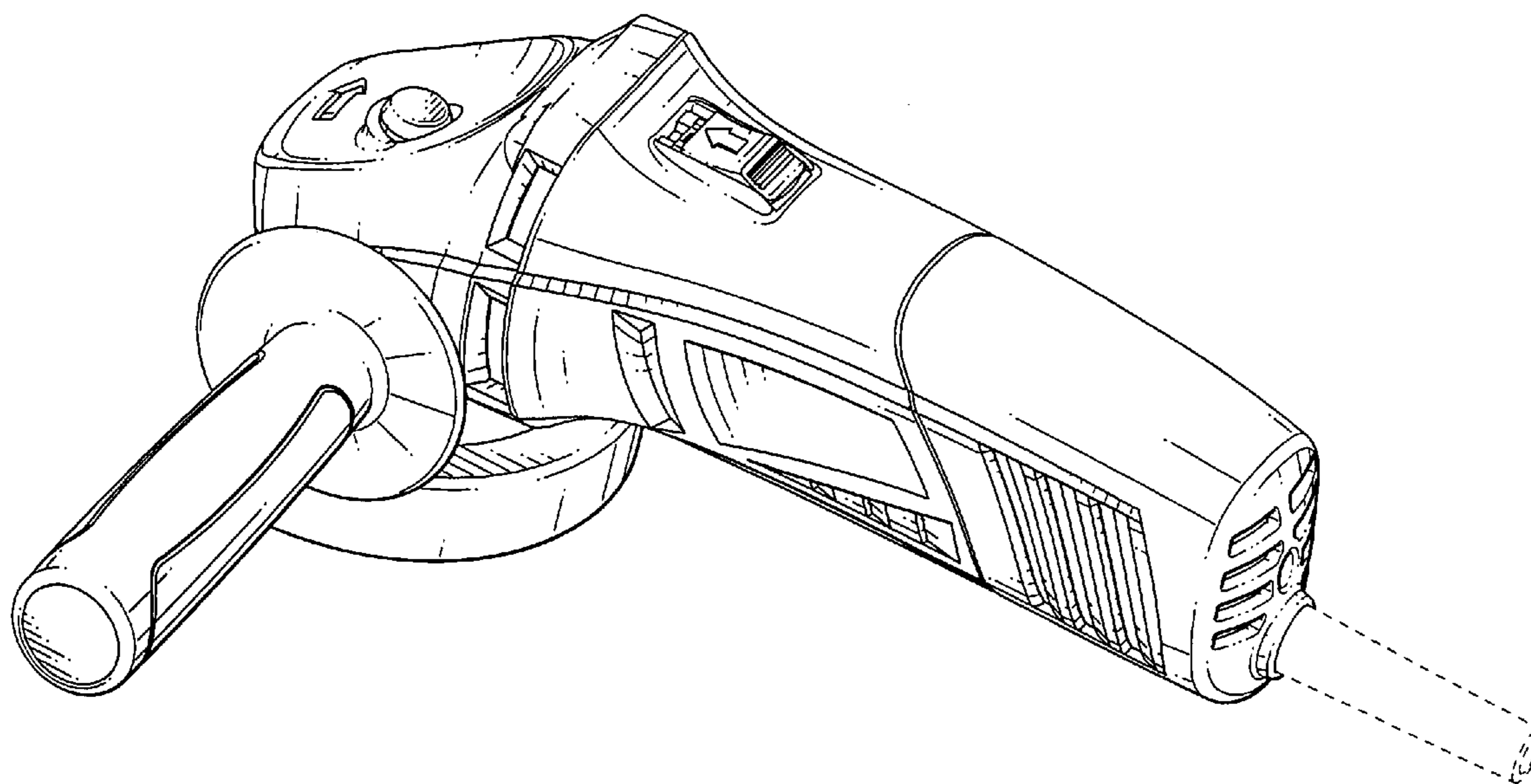
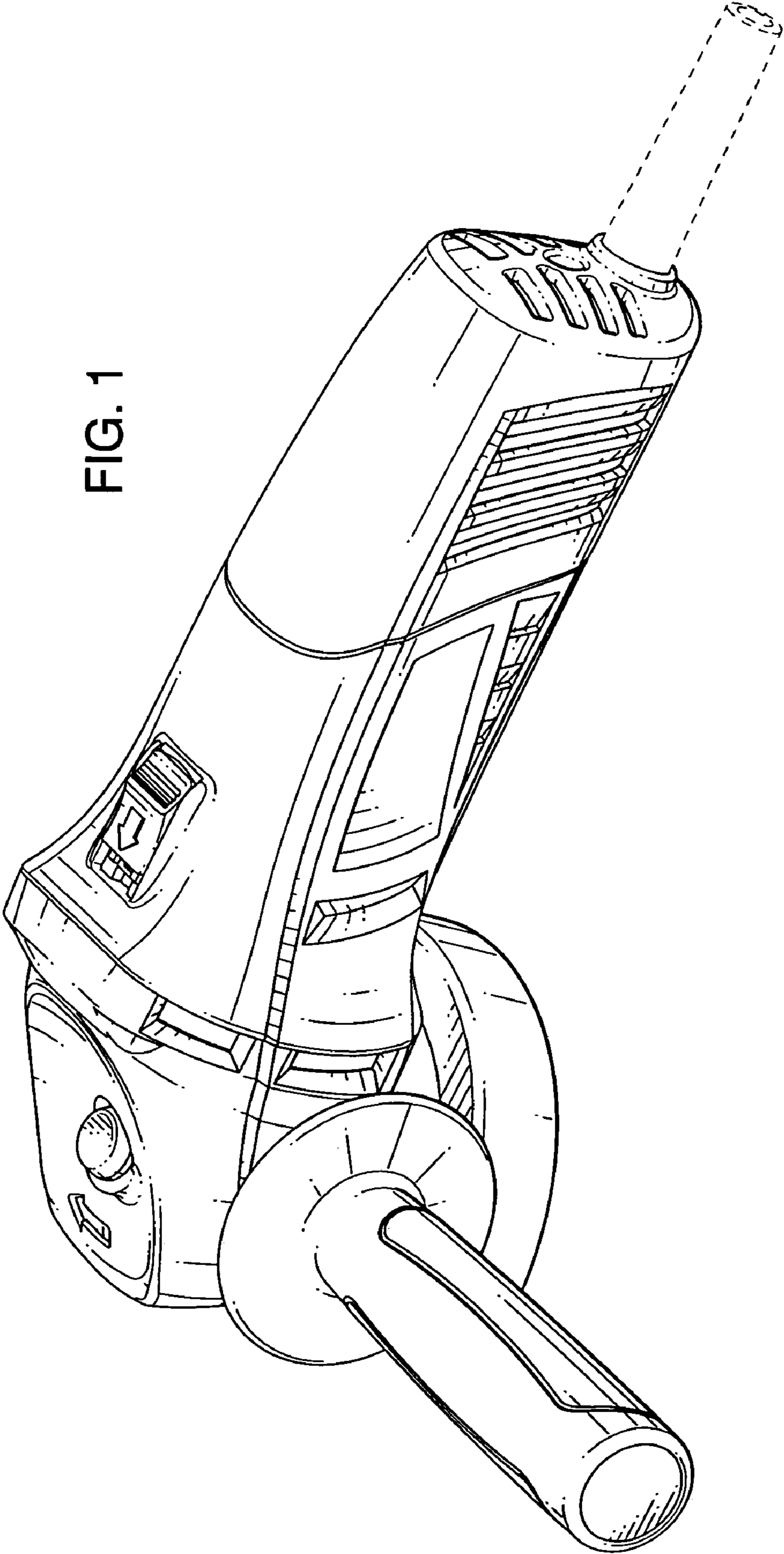


FIG. 1



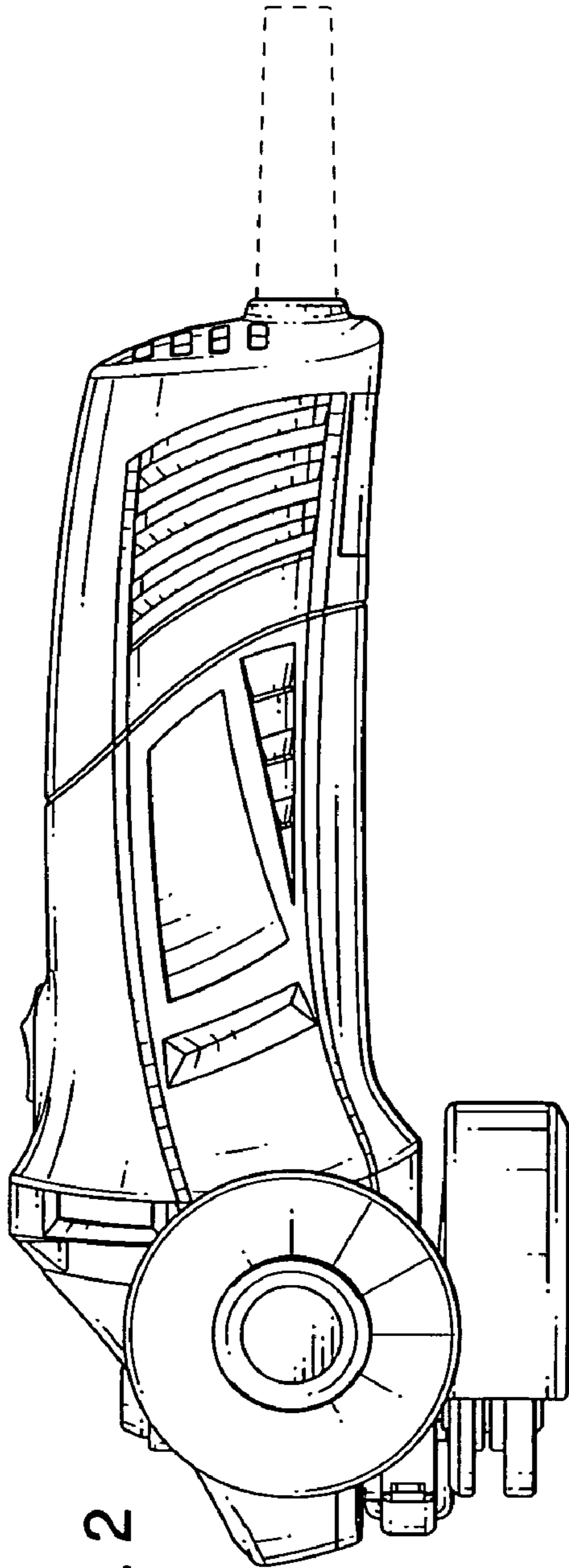
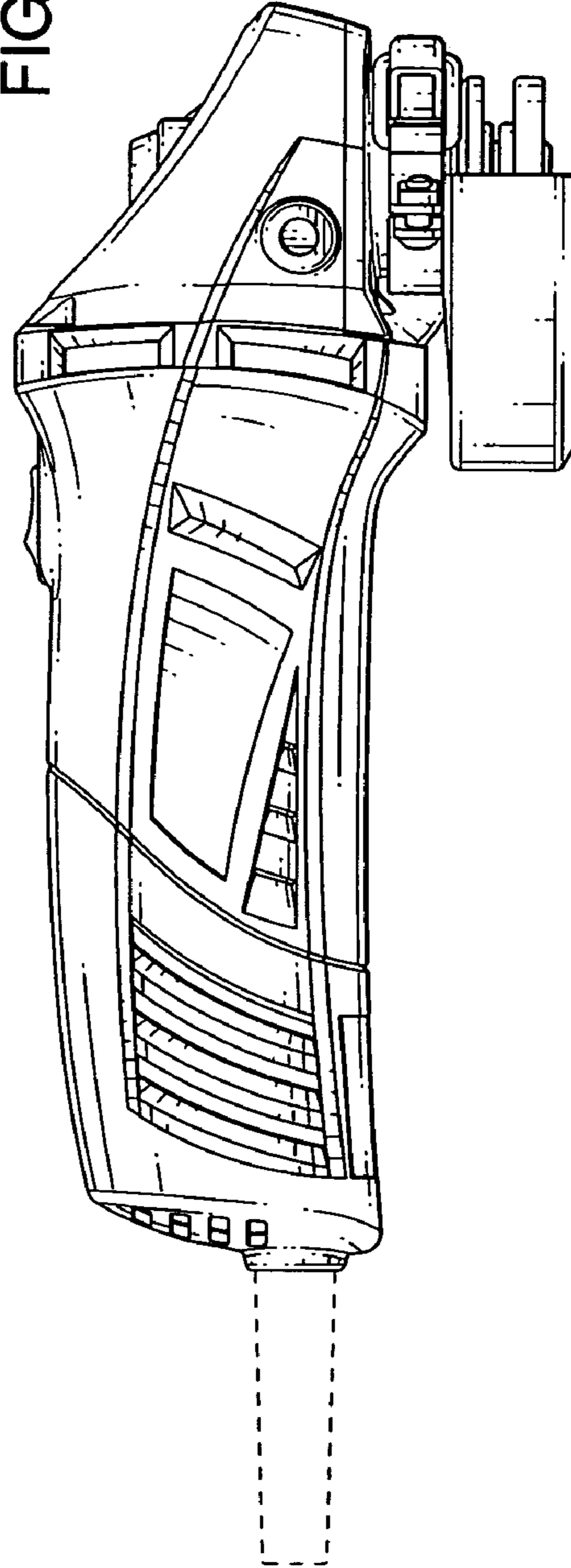


FIG. 2

FIG. 3



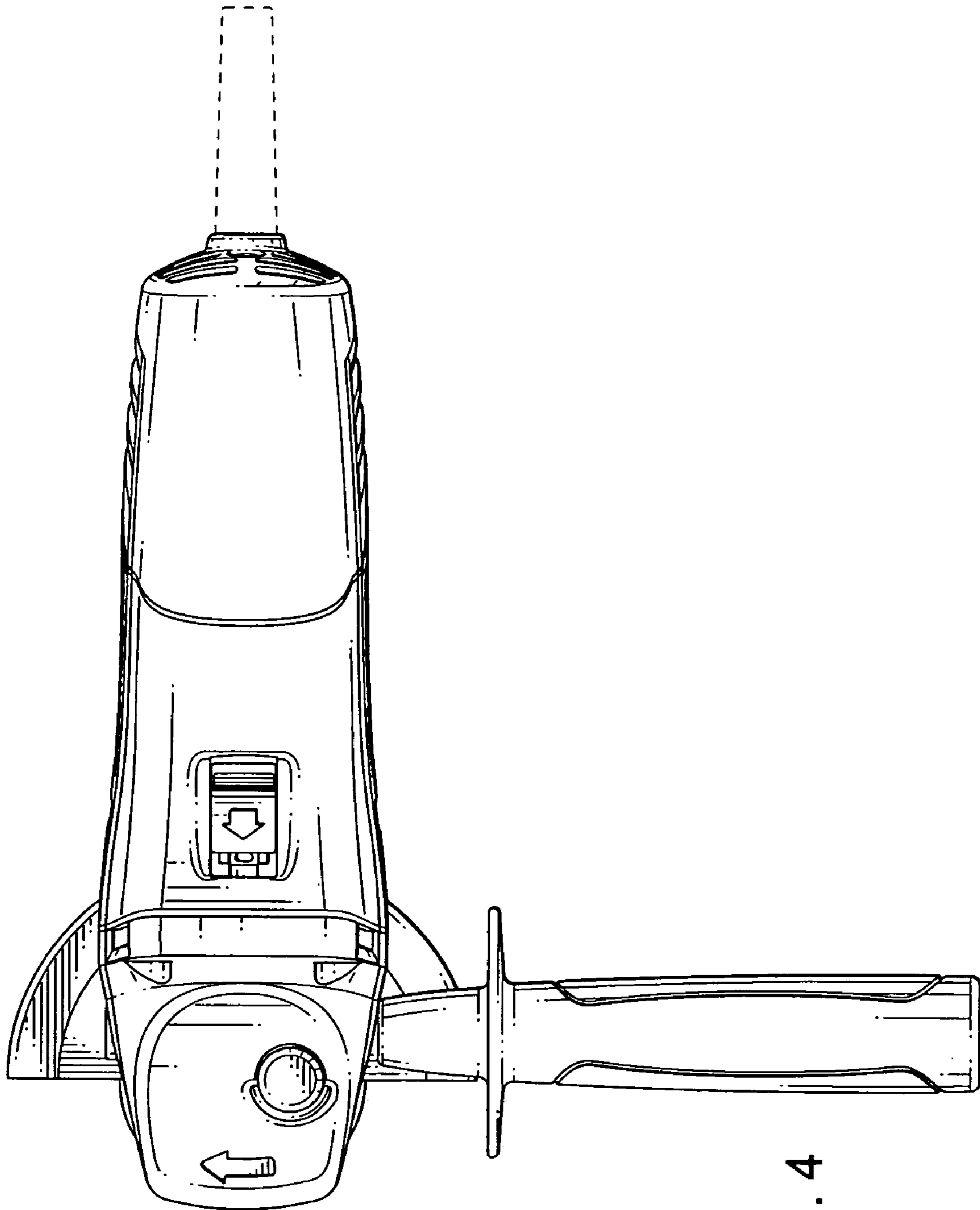


FIG. 4

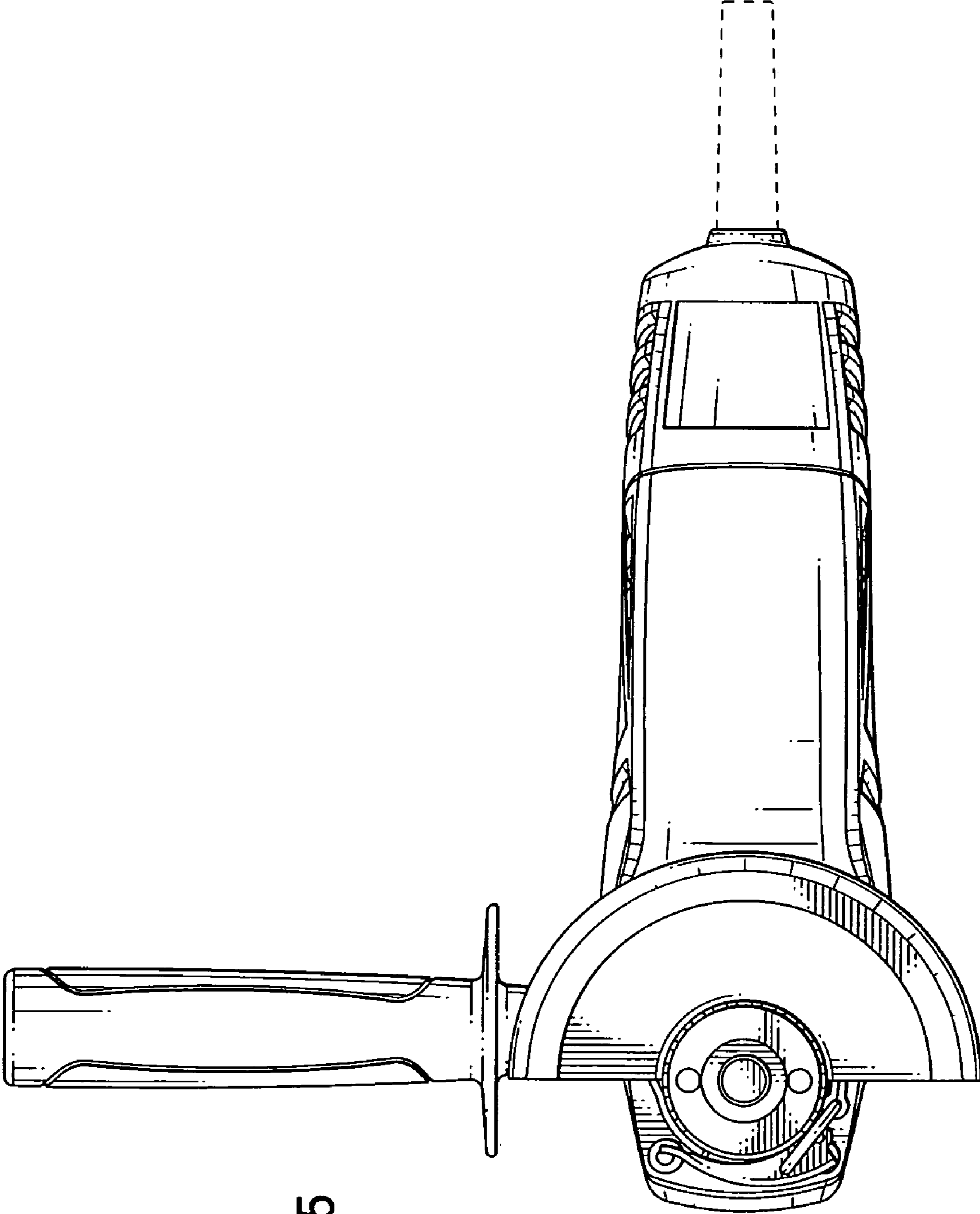


FIG. 5

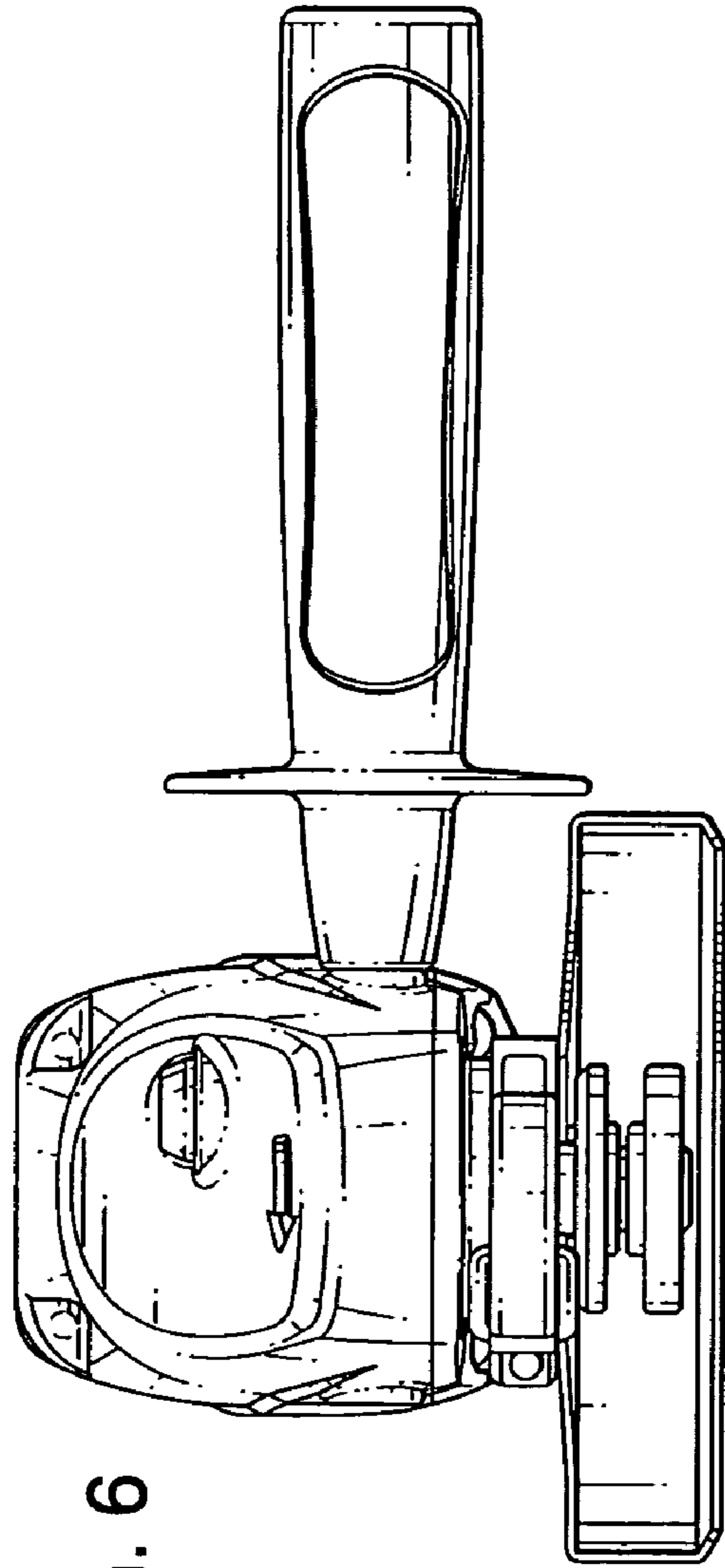


FIG. 6

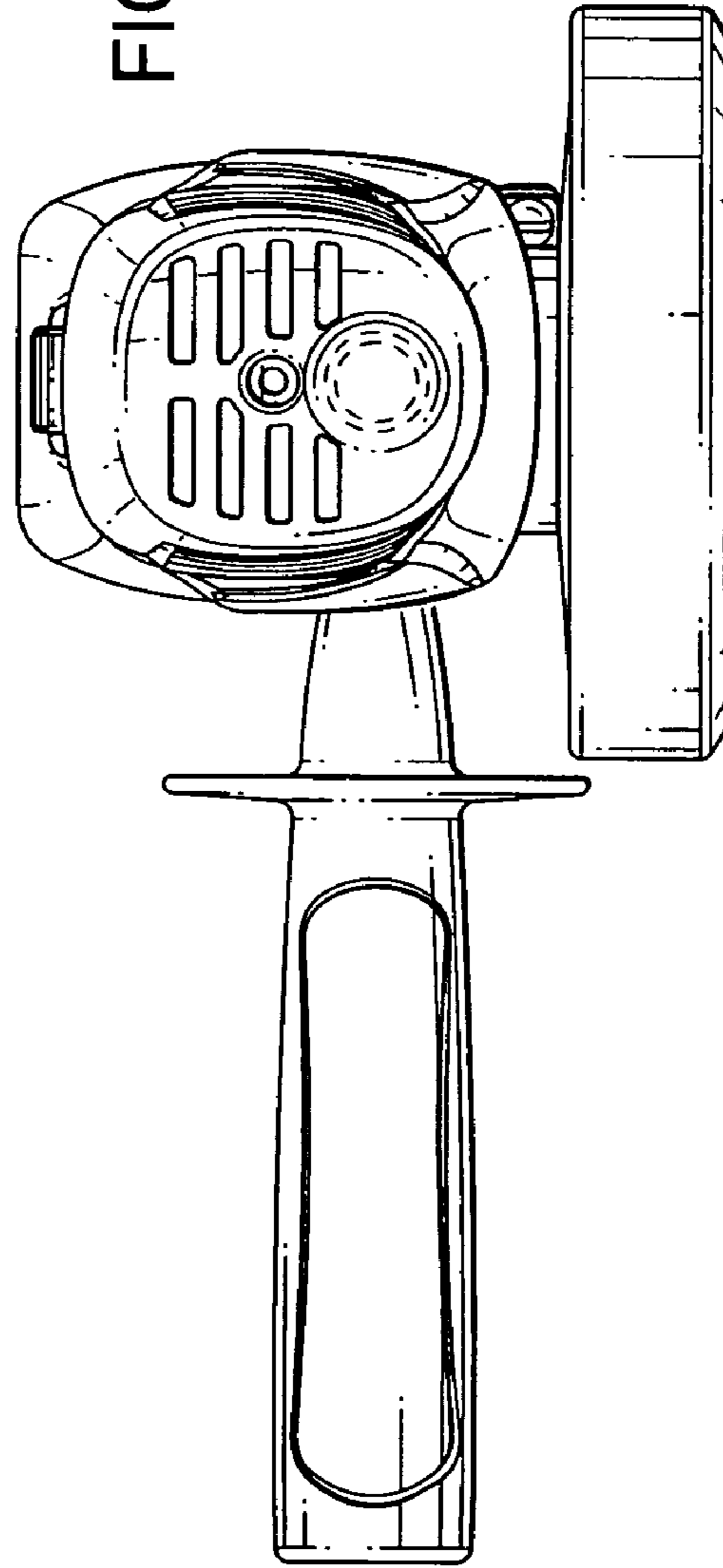


FIG. 7