



US00D544325S

(12) **United States Design Patent**  
**Wright**

(10) **Patent No.:** **US D544,325 S**  
(45) **Date of Patent:** **\*\* Jun. 12, 2007**

(54) **ANGLE GRINDER**

FOREIGN PATENT DOCUMENTS

(75) Inventor: **Stuart J. Wright**, Timonium, MD (US)

(73) Assignee: **Black & Decker Inc.**, Newark, DE (US)

(\*\*) Term: **14 Years**

(21) Appl. No.: **29/257,082**

(22) Filed: **Mar. 29, 2006**

(51) **LOC (8) Cl.** ..... **08-01**

(52) **U.S. Cl.** ..... **D8/62**

(58) **Field of Classification Search** ..... D8/69,  
D8/67, 62, 61; 173/168; 451/294, 344,  
451/351, 359, 358, 357, 356, 354, 353, 451;  
30/500

See application file for complete search history.

(56) **References Cited**

U.S. PATENT DOCUMENTS

D255,417 S	6/1980	Sakamoto et al.	
D297,907 S	10/1988	Hoshimo et al.	
5,201,146 A *	4/1993	Fushiya	451/358
D402,870 S	12/1998	Etter et al.	
6,132,301 A *	10/2000	Kaiser	451/450
D434,296 S	11/2000	Ogasawara	
D437,199 S	2/2001	Robson	
6,241,594 B1 *	6/2001	Lepold	451/359
D453,288 S *	2/2002	Lui	D8/62
6,527,630 B2	3/2003	Mannsperger et al.	
D475,263 S	6/2003	Andriolo	
D479,679 S *	9/2003	Wright	D8/62
D491,033 S	6/2004	Bian	
D494,827 S	8/2004	Liu	
D498,653 S	11/2004	Wu	
D511,952 S	11/2005	Wright	
D521,833 S *	5/2006	Okuda et al.	D8/62
D522,334 S *	6/2006	Waldron	D8/62
D522,827 S *	6/2006	Corcoran	D8/62
D523,308 S *	6/2006	Corcoran	D8/62
D524,129 S *	7/2006	Waldron	D8/62

DE	M9605582	6/1996
DE	M9701855	2/1997
DE	M9706269	7/1997
DE	M9707886	8/1997
DE	49904554	5/1999
DE	49908004	8/1999
DE	40005179	5/2000
DE	40105815	6/2001
DE	40203412	4/2002
DE	40301818	3/2003
DE	40406137	10/2004
DE	000393558-001	10/2005
DE	000442371-0001	1/2006
WO	DM/047995	2/1999
WO	DM/049836	11/1999
WO	DM/062266	9/2002

\* cited by examiner

*Primary Examiner*—Cathron C. Brooks

*Assistant Examiner*—Austin Murphy

(74) *Attorney, Agent, or Firm*—Mehul R. Jani; Adan Ayala; Charles Yocum

(57) **CLAIM**

The ornamental design for an angle grinder, as shown and described.

**DESCRIPTION**

FIG. 1 is a perspective view of an angle grinder showing the new design.

FIG. 2 is a front elevational view thereof.

FIG. 3 is a rear elevational view thereof.

FIG. 4 is a right side elevational view thereof.

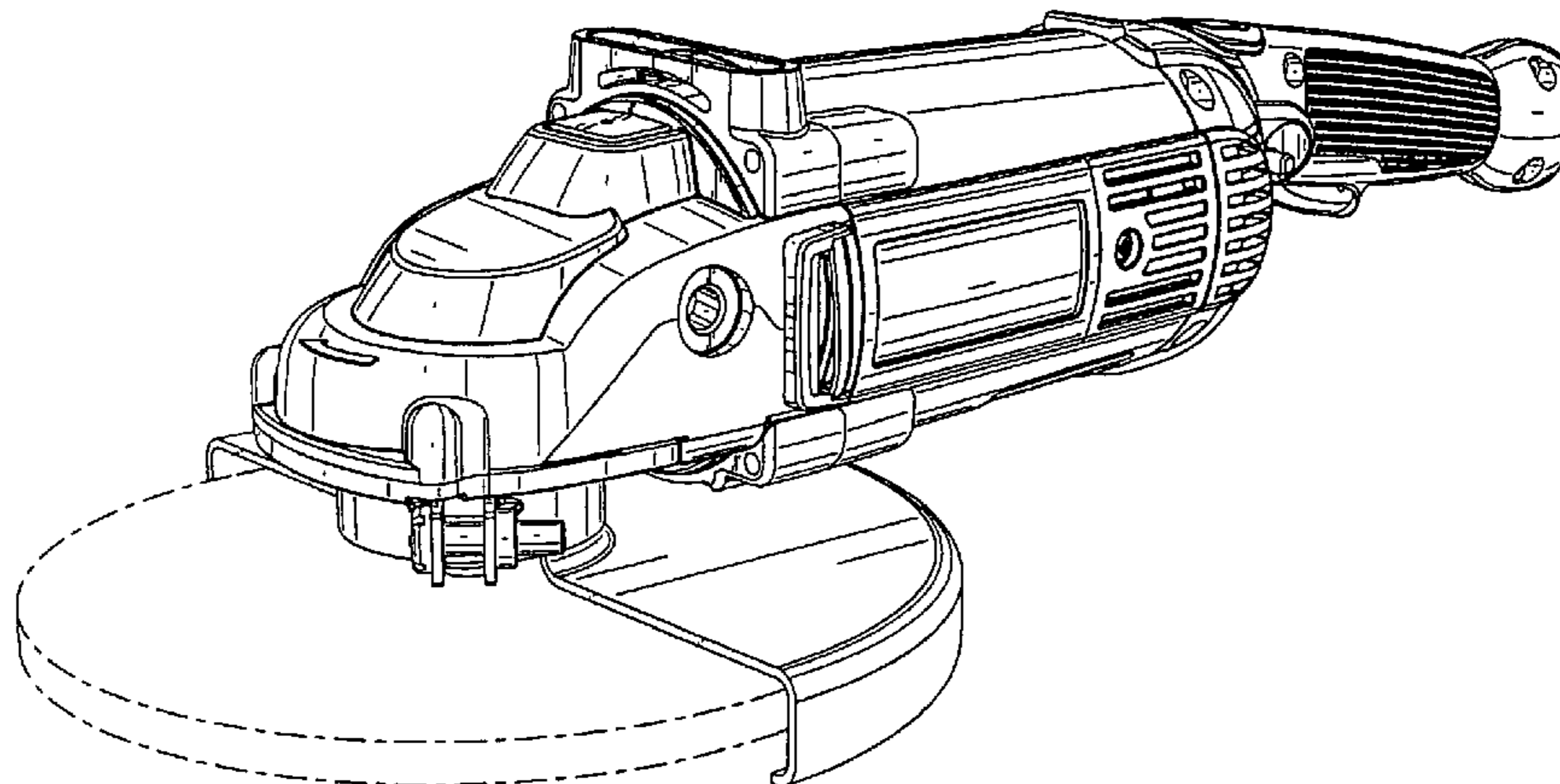
FIG. 5 is a left side elevational view thereof.

FIG. 6 is a top plan view thereof; and,

FIG. 7 is a bottom plan view thereof.

The broken lines shown in the drawings form no part of the claimed design.

**1 Claim, 6 Drawing Sheets**



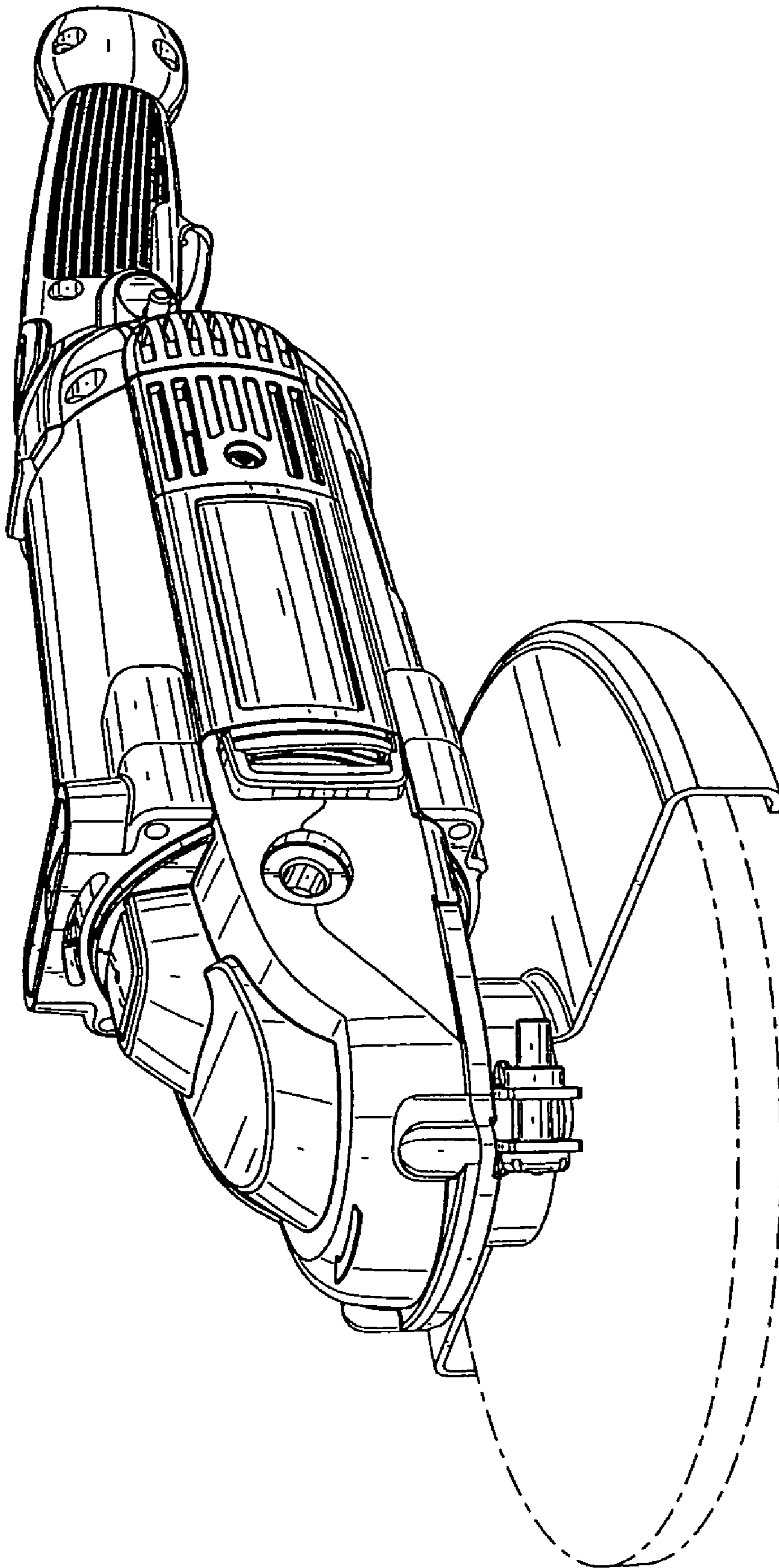


FIG. 1

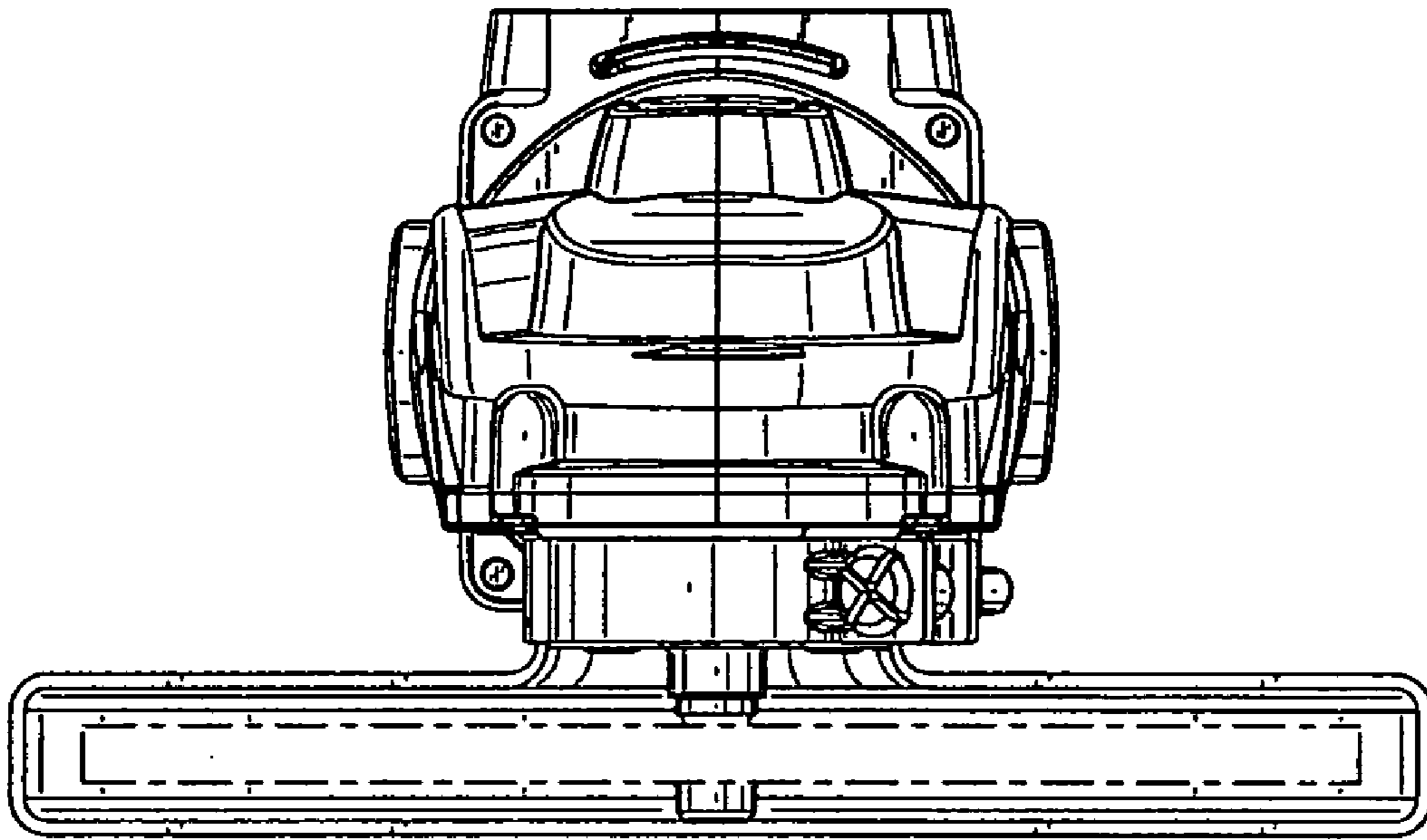


FIG. 2

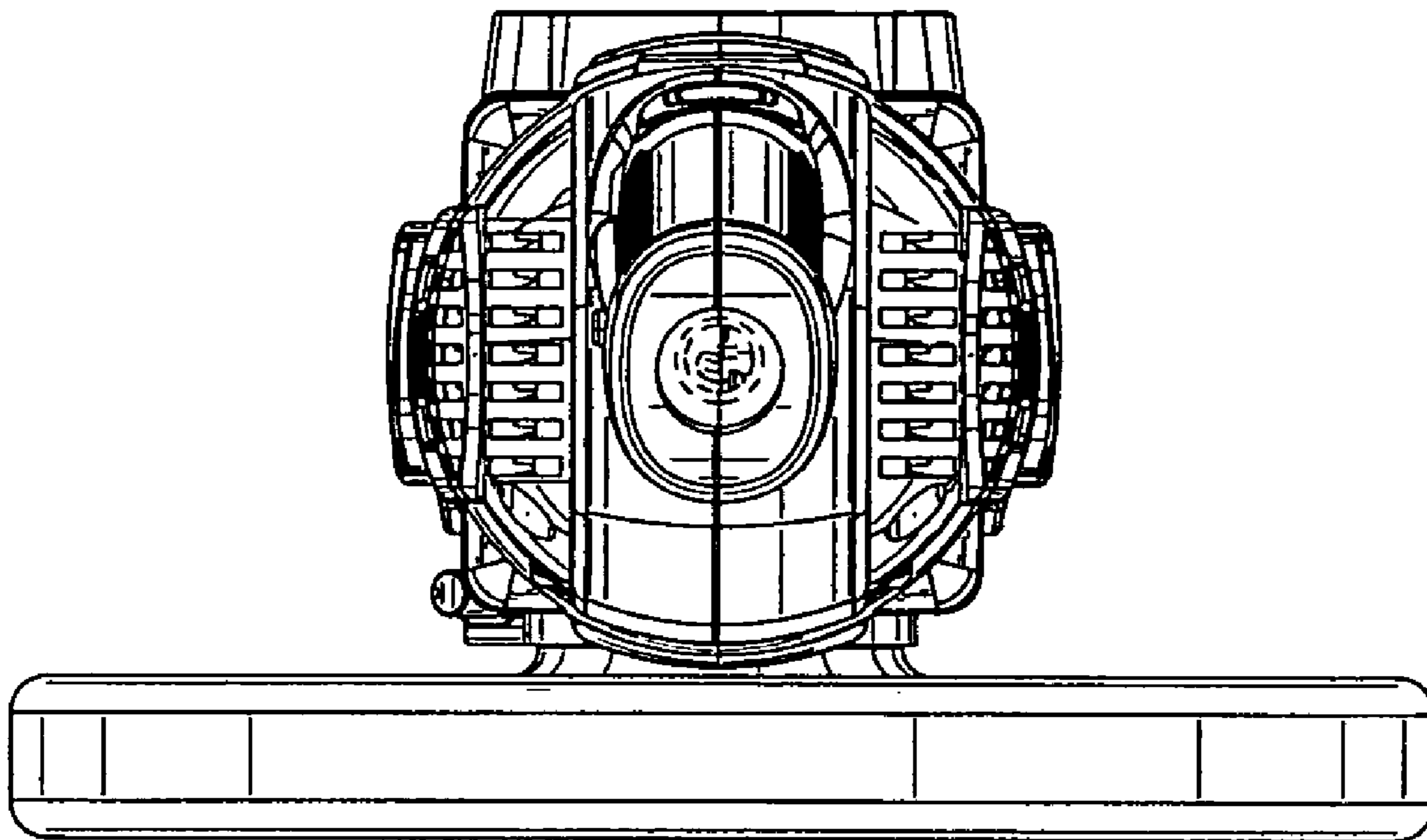


FIG. 3

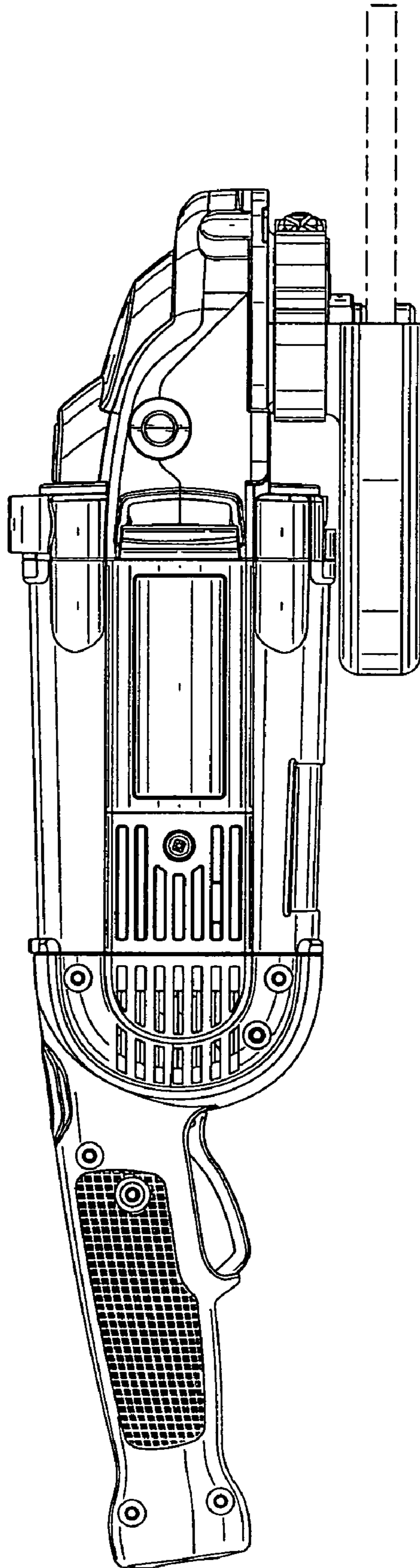


FIG. 4

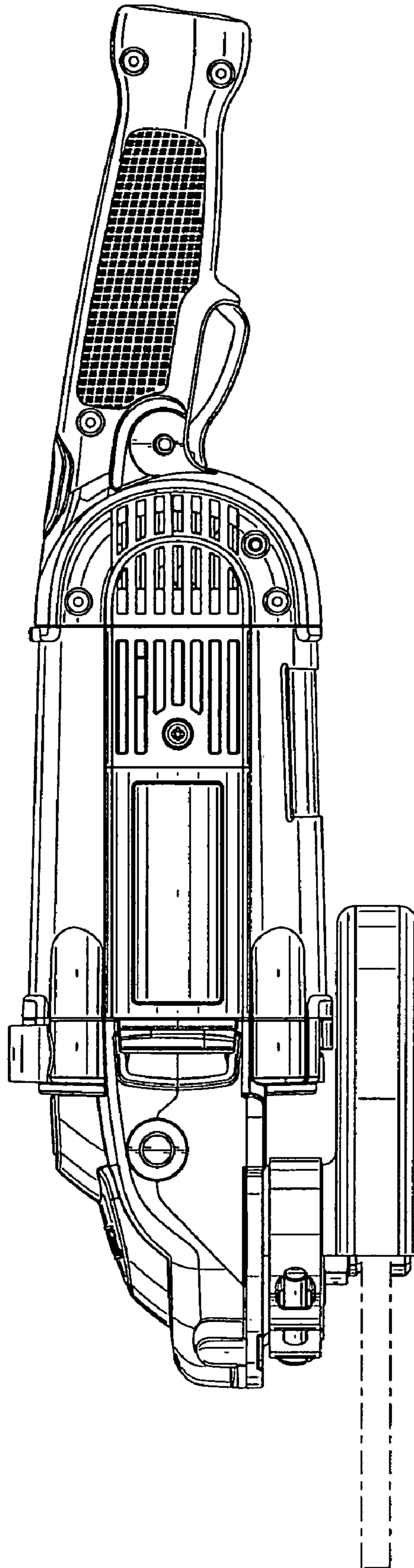


FIG. 5

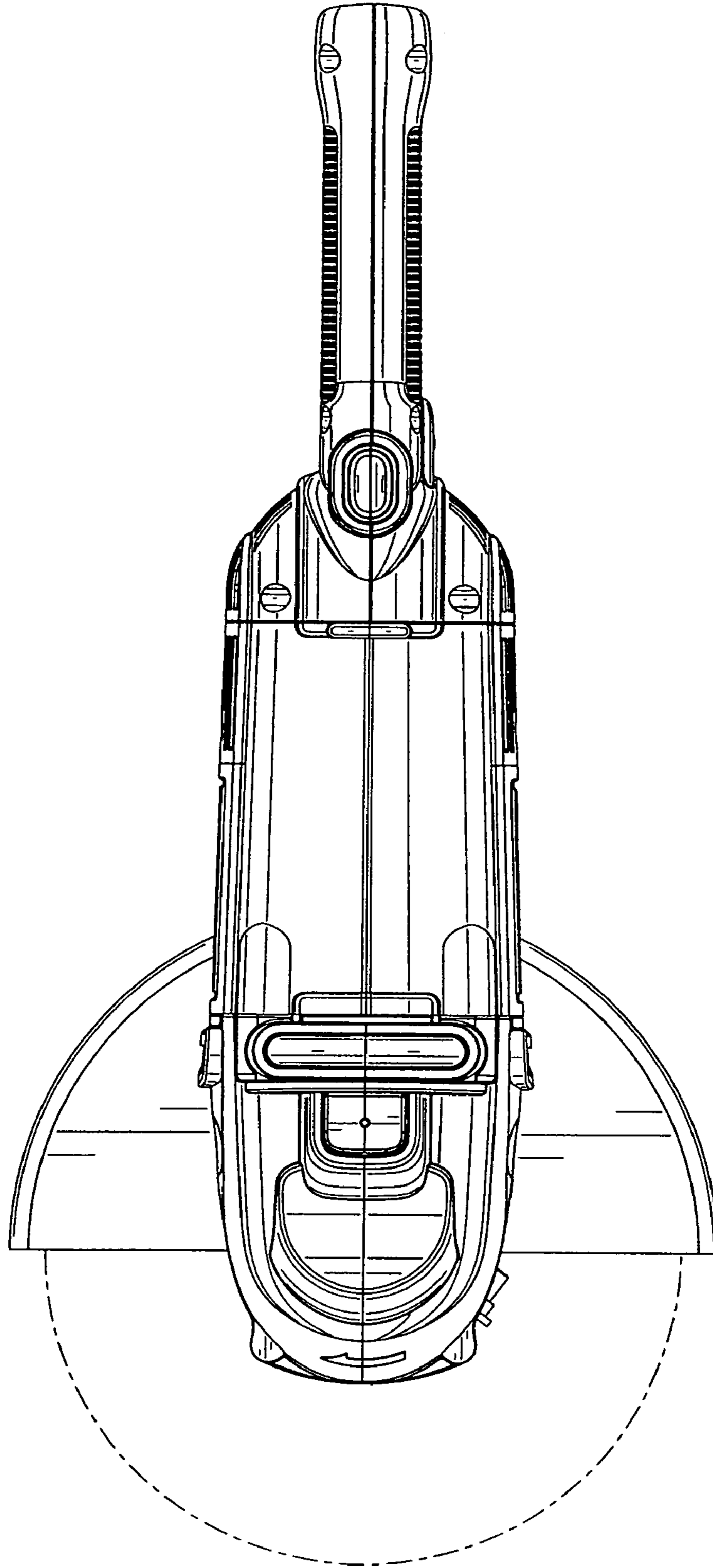


FIG. 6

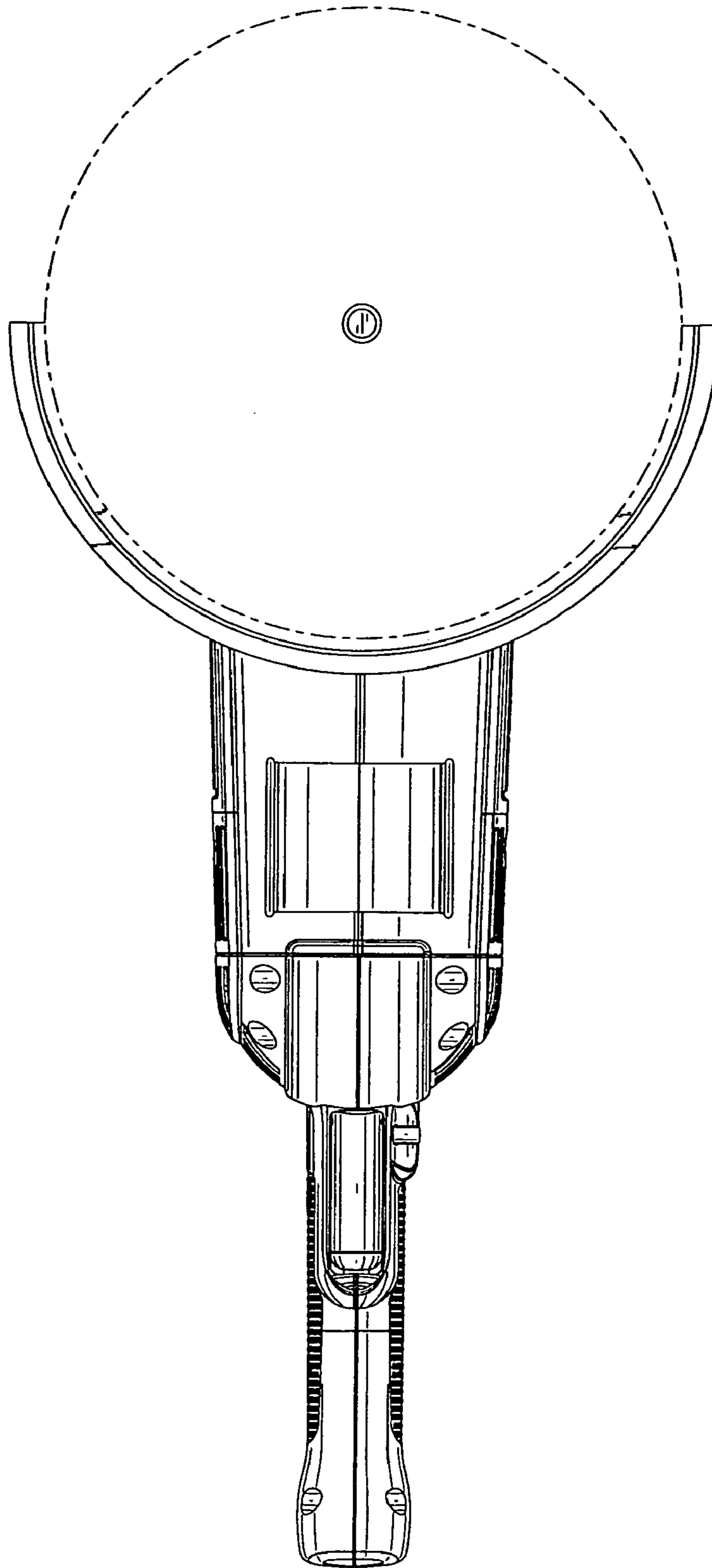


FIG. 7