

US00D544324S

(12) **United States Design Patent**  
**Waldron**

(10) **Patent No.:** **US D544,324 S**

(45) **Date of Patent:** **\*\* Jun. 12, 2007**

(54) **POWERED ANGLE GRINDER**

6,527,630 B2 \* 3/2003 Mannsperger et al. .... 451/344  
D475,263 S \* 6/2003 Andriolo ..... D8/62  
D498,653 S \* 11/2004 Wu ..... D8/62

(75) Inventor: **Michael Waldron**, Pocklington (GB)

(73) Assignee: **GMCA Pty Ltd.**, Victoria (AU)

(\*\*) Term: **14 Years**

(21) Appl. No.: **29/246,671**

(22) Filed: **May 2, 2006**

(30) **Foreign Application Priority Data**

Dec. 7, 2005 (EM) ..... 000449228

(51) **LOC (8) Cl.** ..... **08-01**

(52) **U.S. Cl.** ..... **D8/62**

(58) **Field of Classification Search** ..... D8/69,  
D8/67, 62, 61; 173/168; 451/294, 344,  
451/351, 359, 358, 357, 356, 354, 353, 451;  
30/500

See application file for complete search history.

(56) **References Cited**

**U.S. PATENT DOCUMENTS**

D297,907 S \* 10/1988 Hoshimo et al. .... D8/62  
D305,399 S \* 1/1990 Fushiya et al. .... D8/62  
D322,016 S \* 12/1991 Thurler et al. .... D8/62  
D402,870 S \* 12/1998 Etter et al. .... D8/62  
6,241,594 B1 \* 6/2001 Lepold ..... 451/359  
D453,288 S \* 2/2002 Lui ..... D8/62

\* cited by examiner

*Primary Examiner*—Cathron C. Brooks

*Assistant Examiner*—Austin Murphy

(74) *Attorney, Agent, or Firm*—McKee, Voorhees & Sease,  
P.L.C.

(57) **CLAIM**

I claim the ornamental design for a powered angle grinder,  
substantially as shown.

**DESCRIPTION**

FIG. 1 is a perspective view of the powered angle grinder.

FIG. 2 is side view of the powered angle grinder.

FIG. 3 is a side view of an alternate embodiment of the  
powered angle grinder; the sole difference being a longer  
middle section.

FIG. 4 is a rear view of the powered angle grinder.

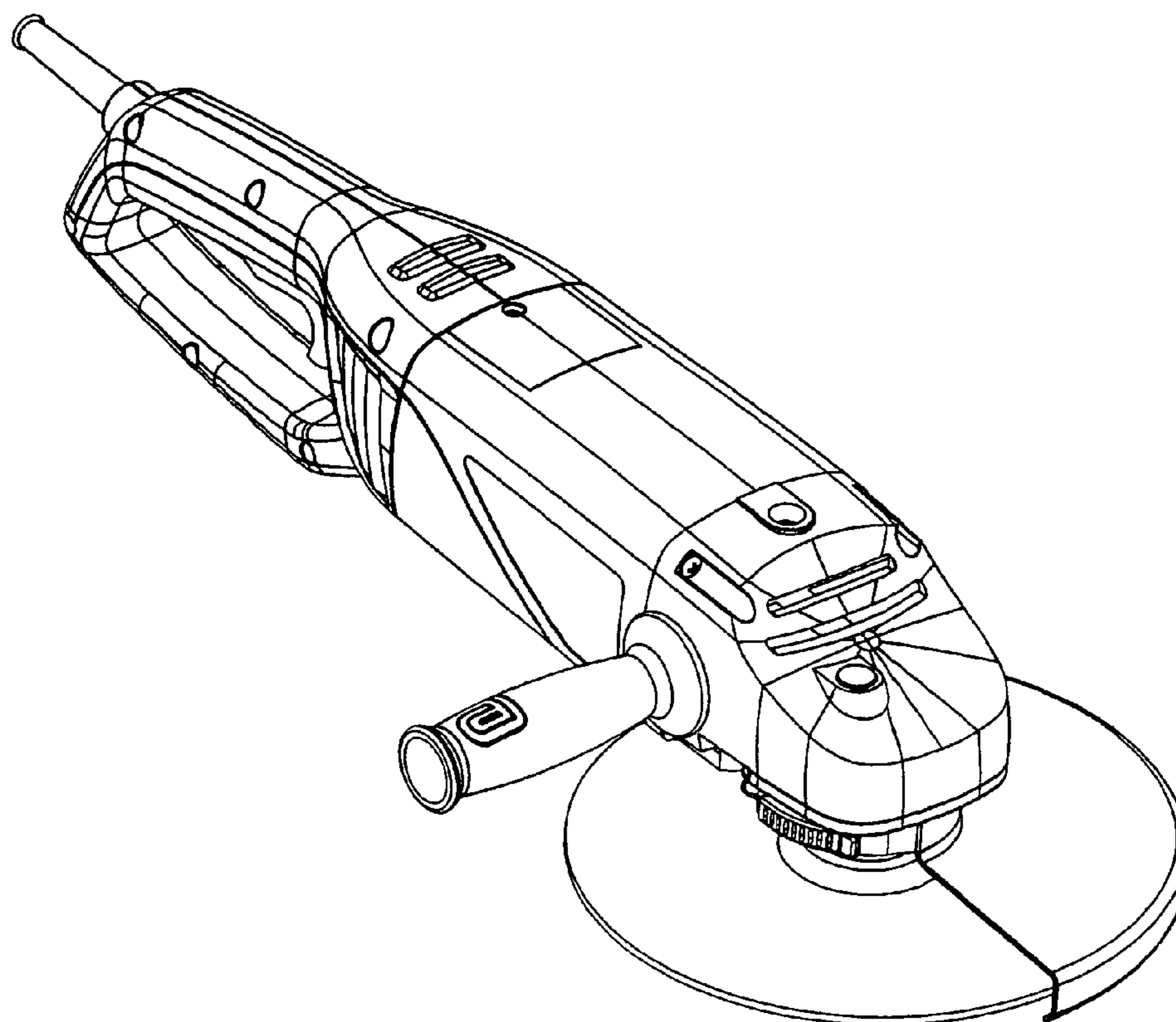
FIG. 5 is a top view of the powered angle grinder.

FIG. 6 is an opposite side view of the powered angle grinder.

FIG. 7 is a bottom view of the powered angle grinder; and,

FIG. 8 is a front view of the powered angle grinder.

**1 Claim, 8 Drawing Sheets**



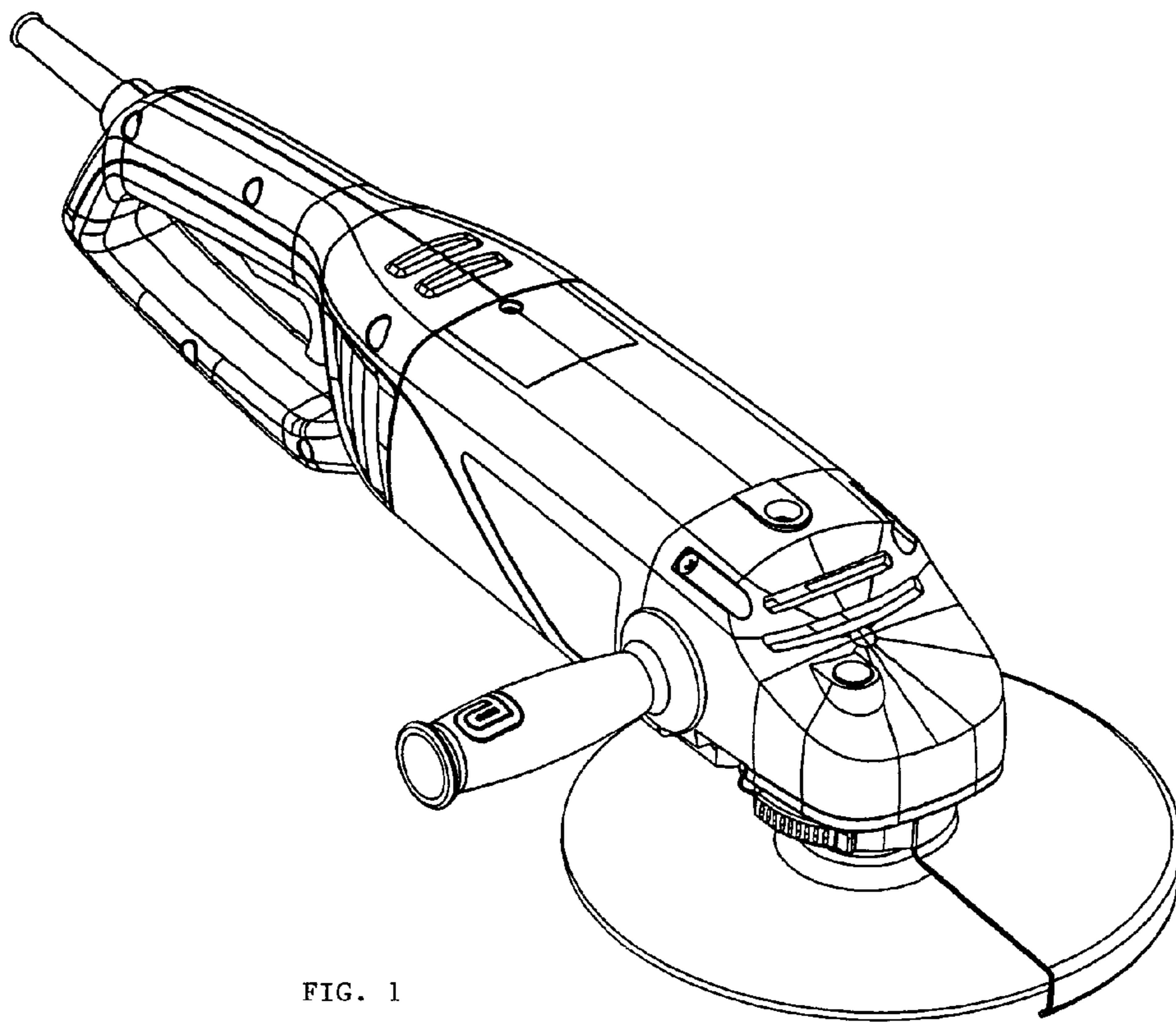


FIG. 1

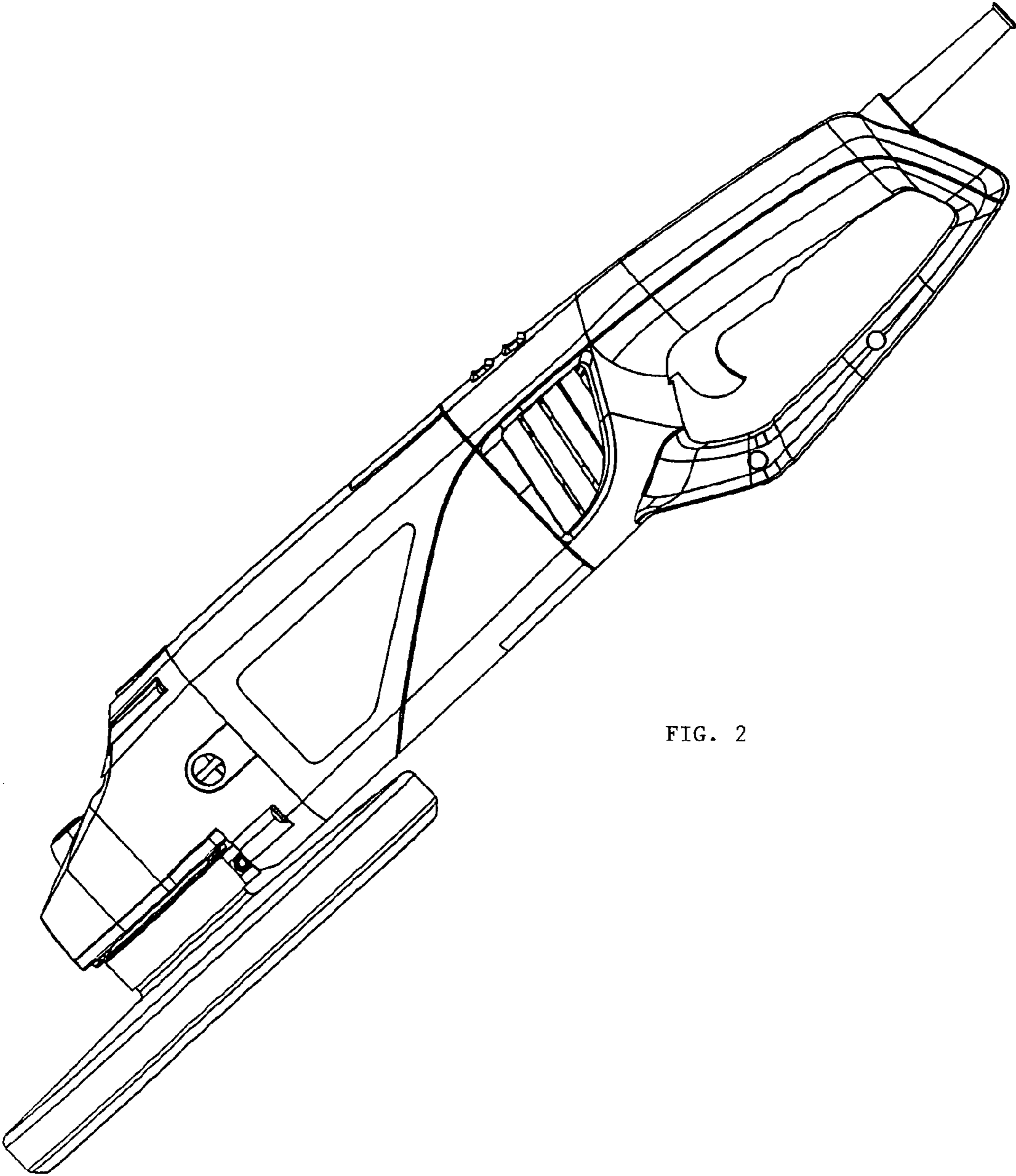


FIG. 2

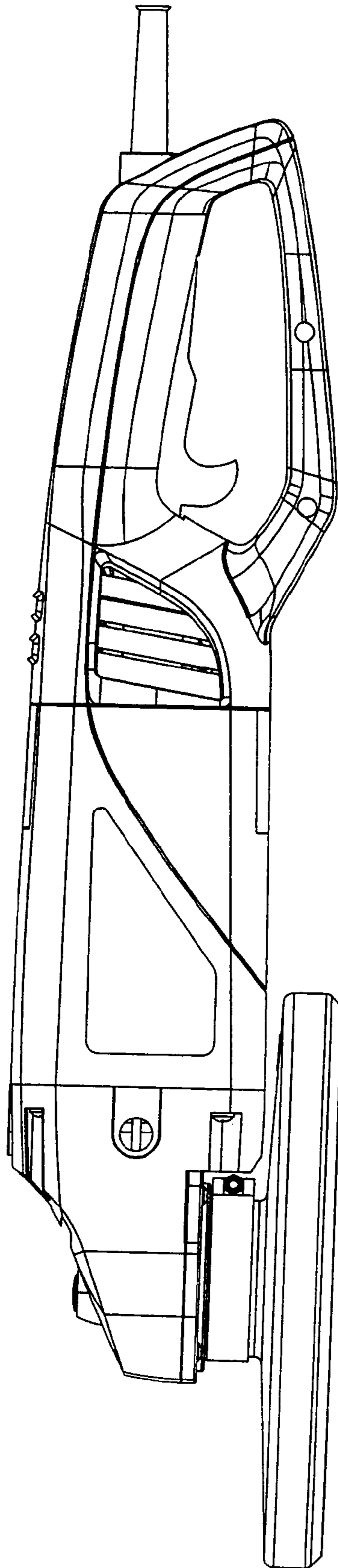


FIG. 3

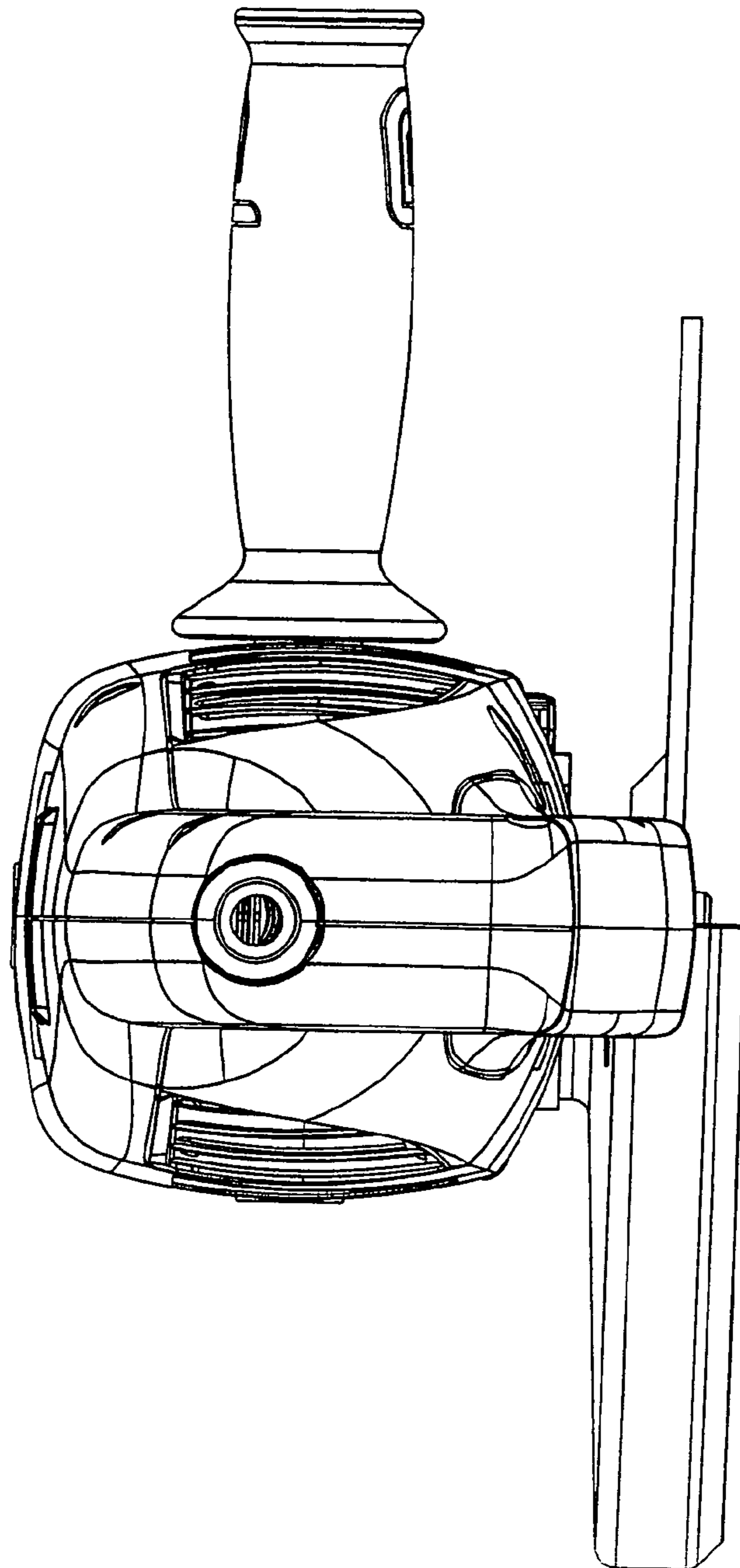


FIG. 4



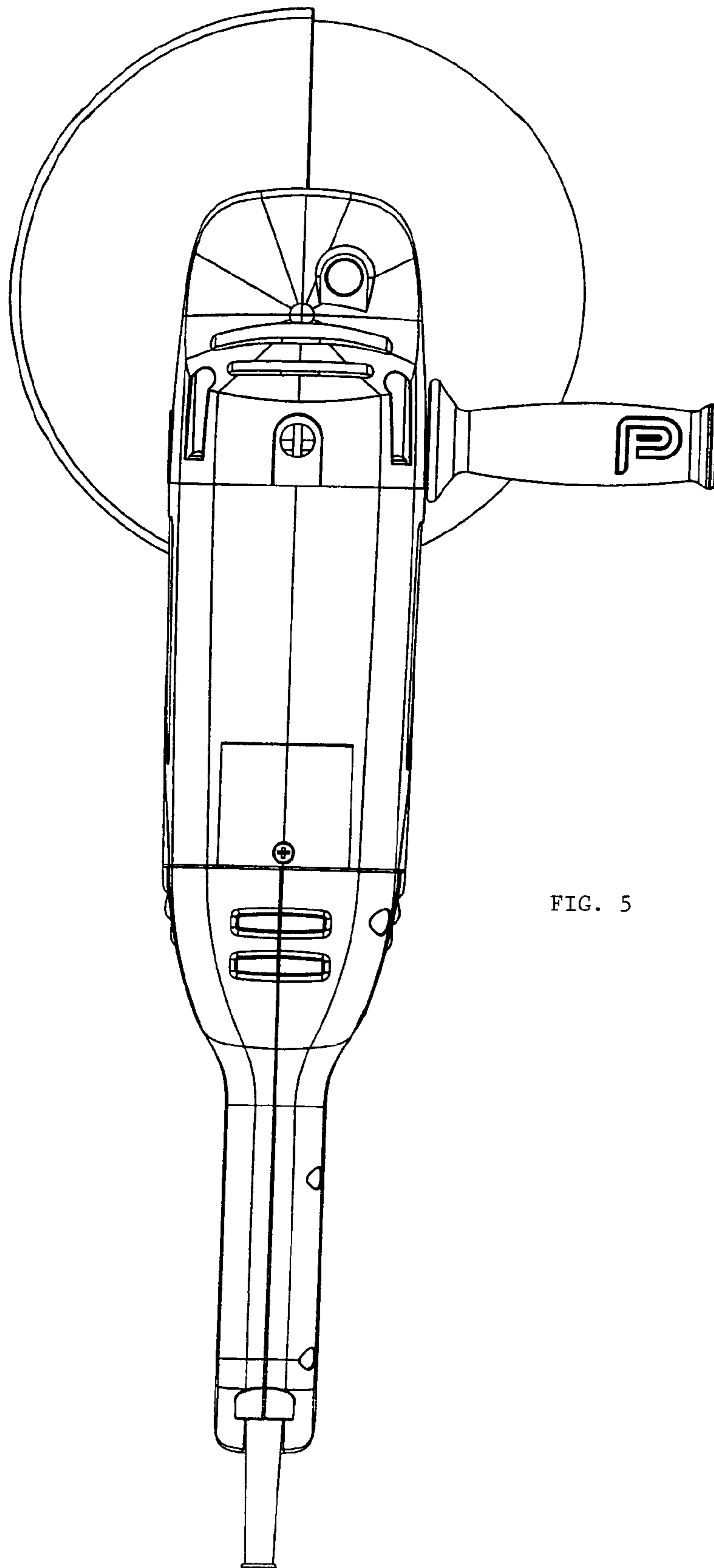


FIG. 5

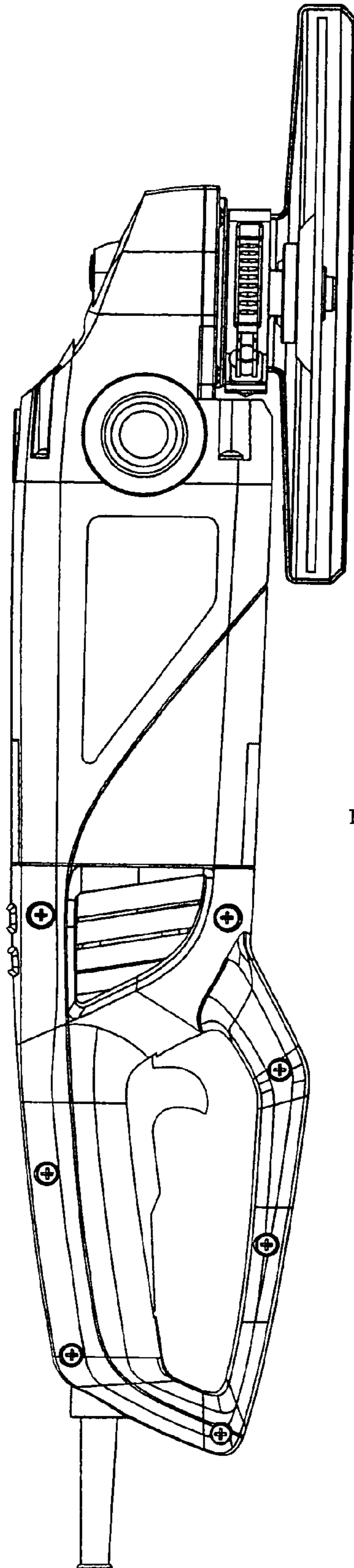


FIG. 6

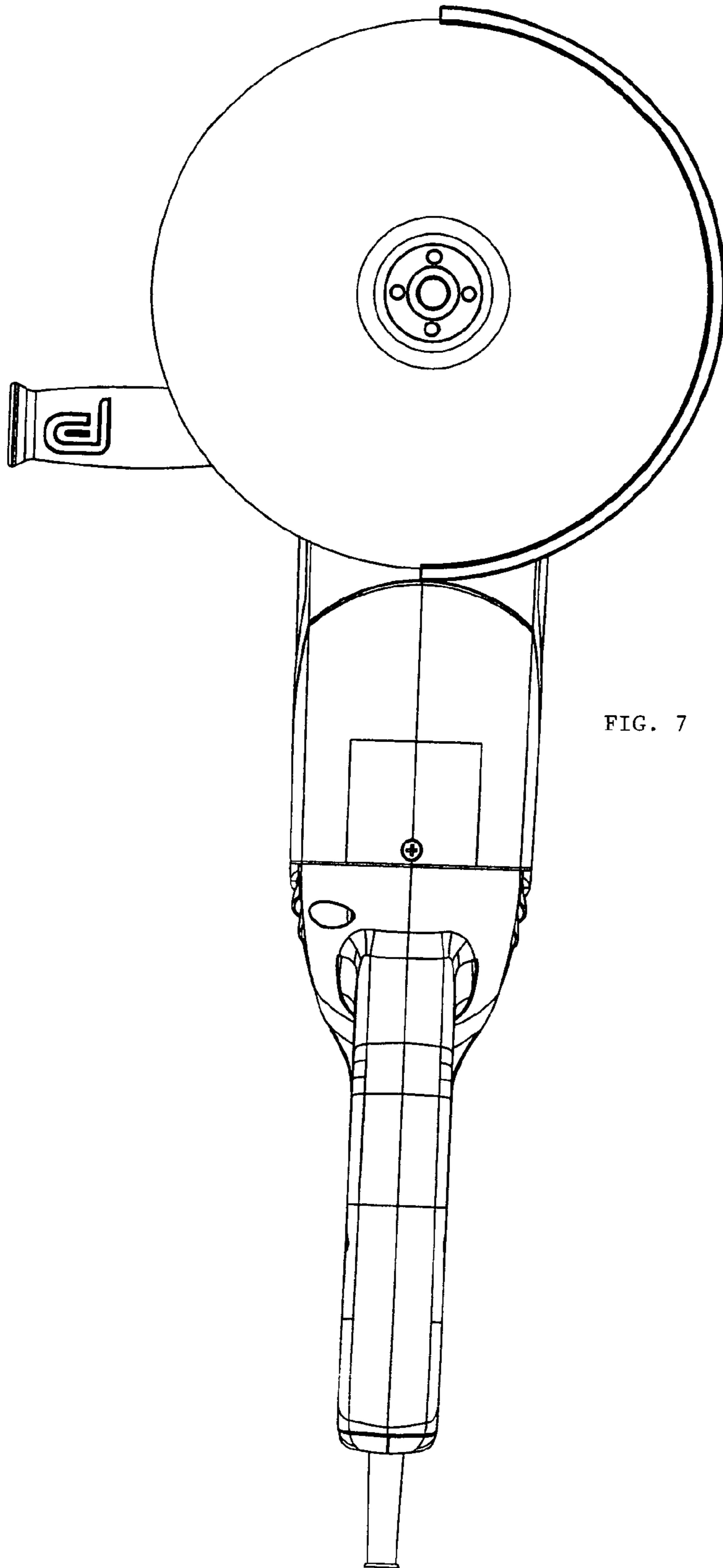


FIG. 7



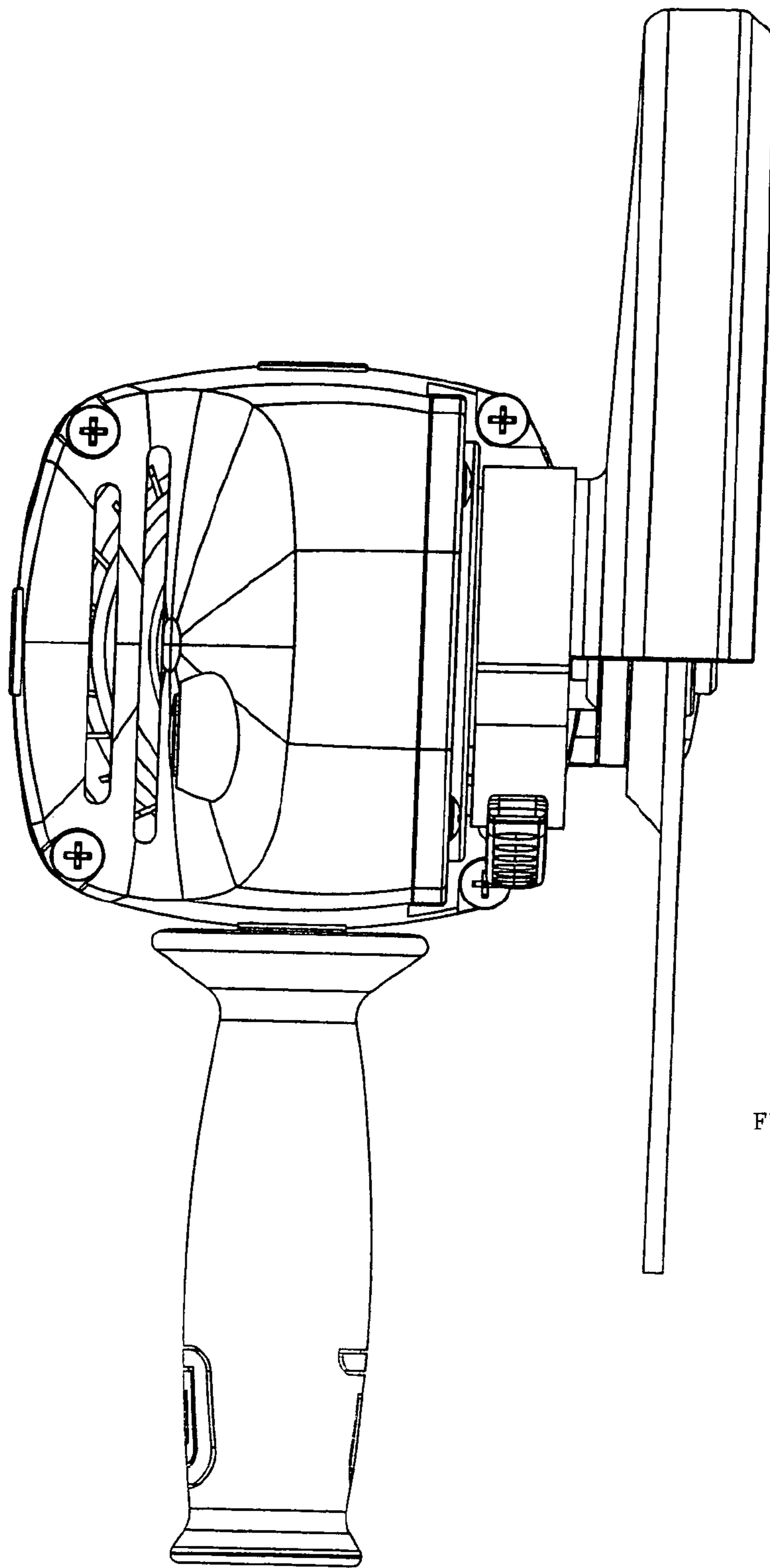


FIG. 8