



US00D544323S

(12) **United States Design Patent**
Hutchfield

(10) **Patent No.:** **US D544,323 S**

(45) **Date of Patent:** **** Jun. 12, 2007**

(54) **CRIMPING TOOL**

(75) Inventor: **John Hutchfield**, Halstead (GB)

(73) Assignee: **Pressmaster AB**, Alvdalen (SE)

(**) Term: **14 Years**

(21) Appl. No.: **29/264,902**

(22) Filed: **Aug. 22, 2006**

(30) **Foreign Application Priority Data**

Feb. 23, 2006 (EM) 000484134

(51) **LOC (8) Cl.** **08-05**

(52) **U.S. Cl.** **D8/52**

(58) **Field of Classification Search** D8/32,
D8/51, 52, 54, 55, 58, 105, 106, 107; 29/268,
29/270, 750, 751, 753, 758; 72/370.12, 412,
72/482.7, 482.8, 482.91; 81/300, 304, 306,
81/309, 316-322, 352, 353, 381, 383, 412

See application file for complete search history.

(56) **References Cited**

U.S. PATENT DOCUMENTS

736,964 A * 8/1903 Hanson 29/232
4,700,592 A * 10/1987 Rommel 81/355
D301,965 S * 7/1989 Nilsson D8/52
D303,917 S * 10/1989 Hatfield D8/51
5,153,984 A * 10/1992 Beetz et al. 29/751

5,992,002 A * 11/1999 Hung 29/566.4
6,612,147 B2 * 9/2003 Beetz et al. 72/409.16
6,637,060 B2 * 10/2003 Lu 7/107
6,968,726 B2 * 11/2005 Wang 72/409.14

* cited by examiner

Primary Examiner—Alan P. Douglas

Assistant Examiner—Deanna Fluegeman

(74) *Attorney, Agent, or Firm*—Dickstein Shapiro LLP

(57) **CLAIM**

The ornamental design for a crimping tool, as shown and described.

DESCRIPTION

FIG. 1 is a perspective view of the crimping tool of the present invention;

FIG. 2 is a first side view of the crimping tool of the present invention;

FIG. 3 is a second side view, opposite to that of FIG. 2, of the crimping tool of the present invention;

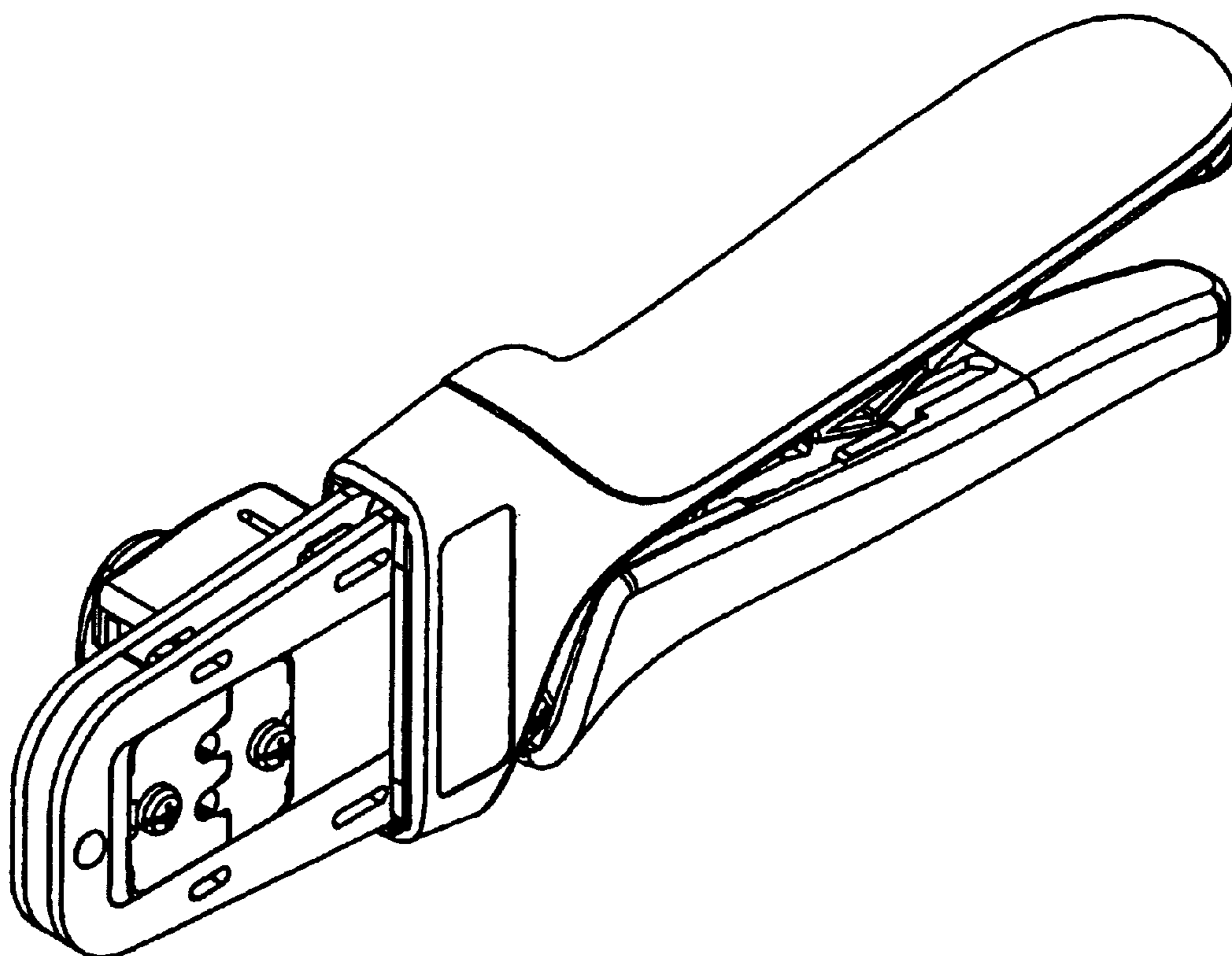
FIG. 4 is a front view of the crimping tool of the present invention;

FIG. 5 is a rear view of the crimping tool of the present invention;

FIG. 6 is a top view of the crimping tool of the present invention; and,

FIG. 7 is a bottom view of the crimping tool of the present invention.

1 Claim, 7 Drawing Sheets



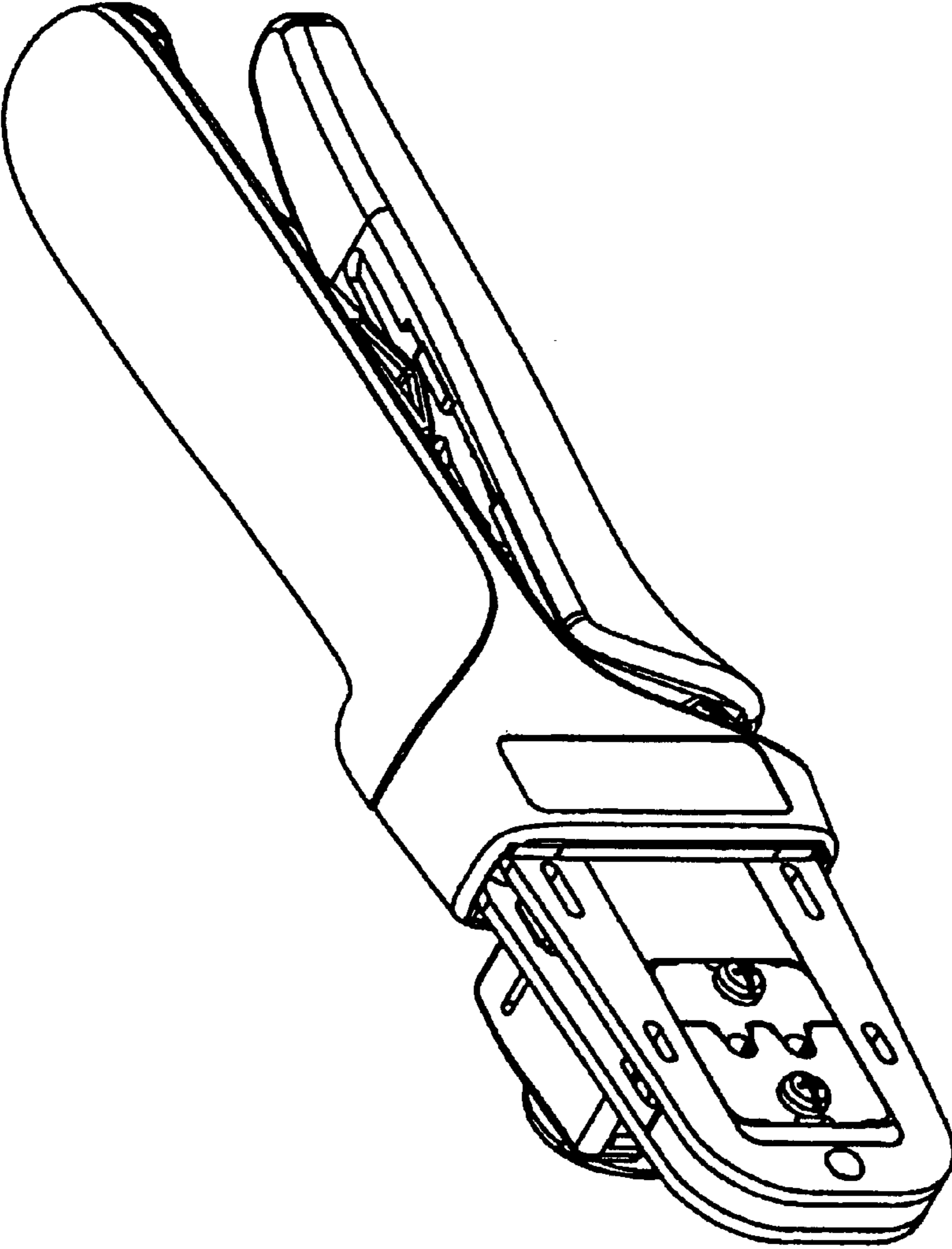


FIG. 1

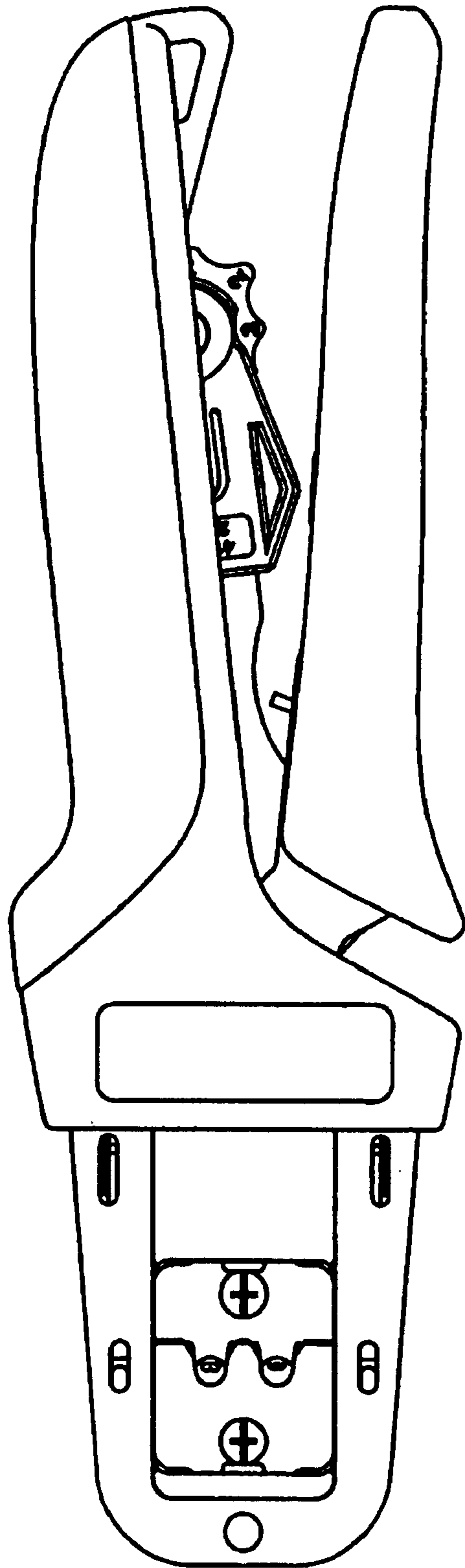


FIG. 2

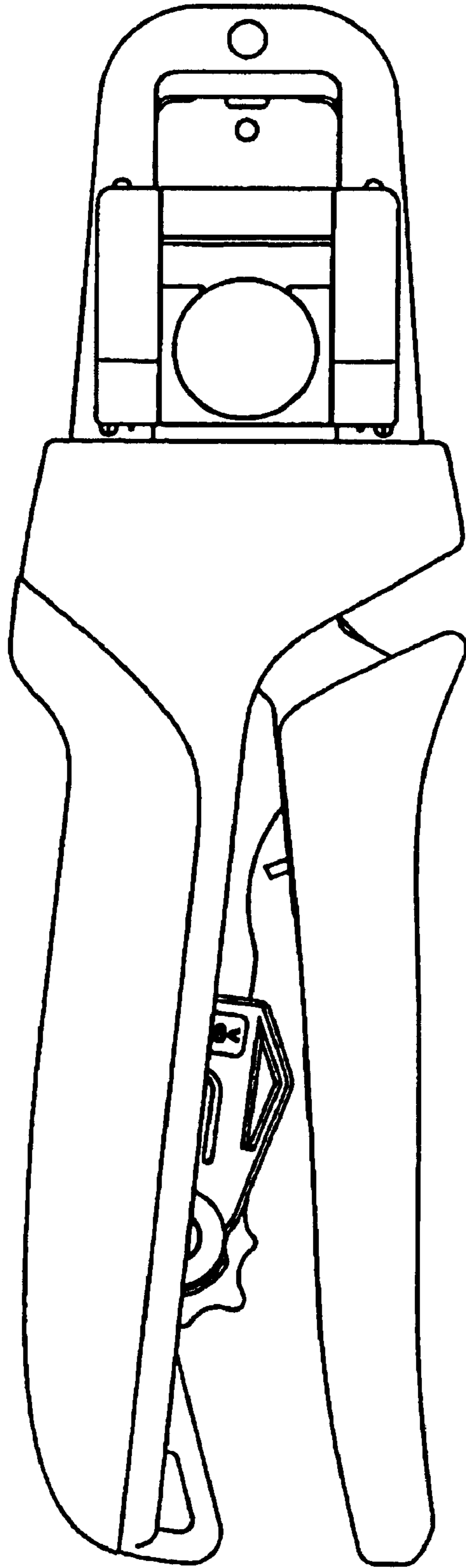


FIG. 3

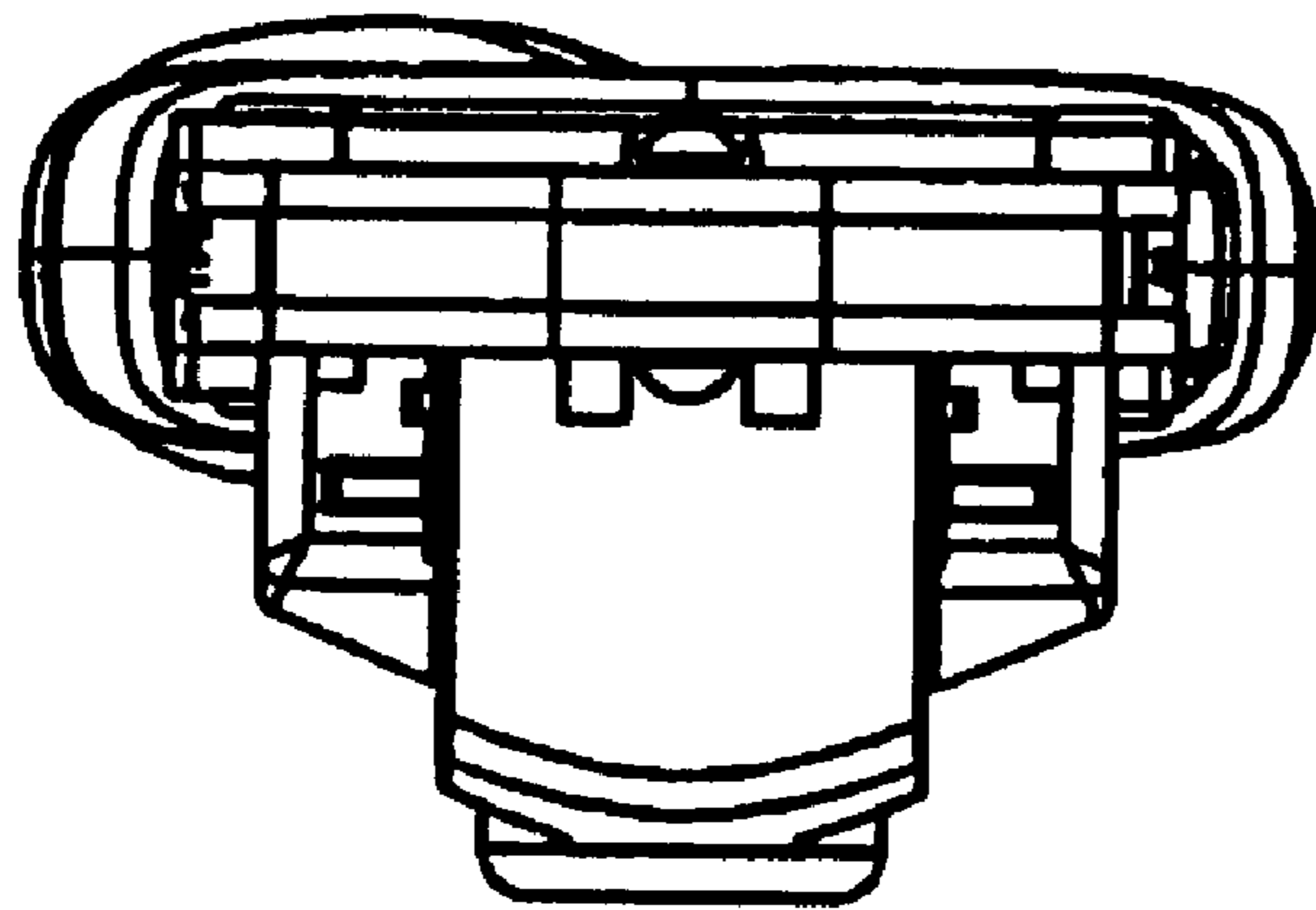


FIG. 4

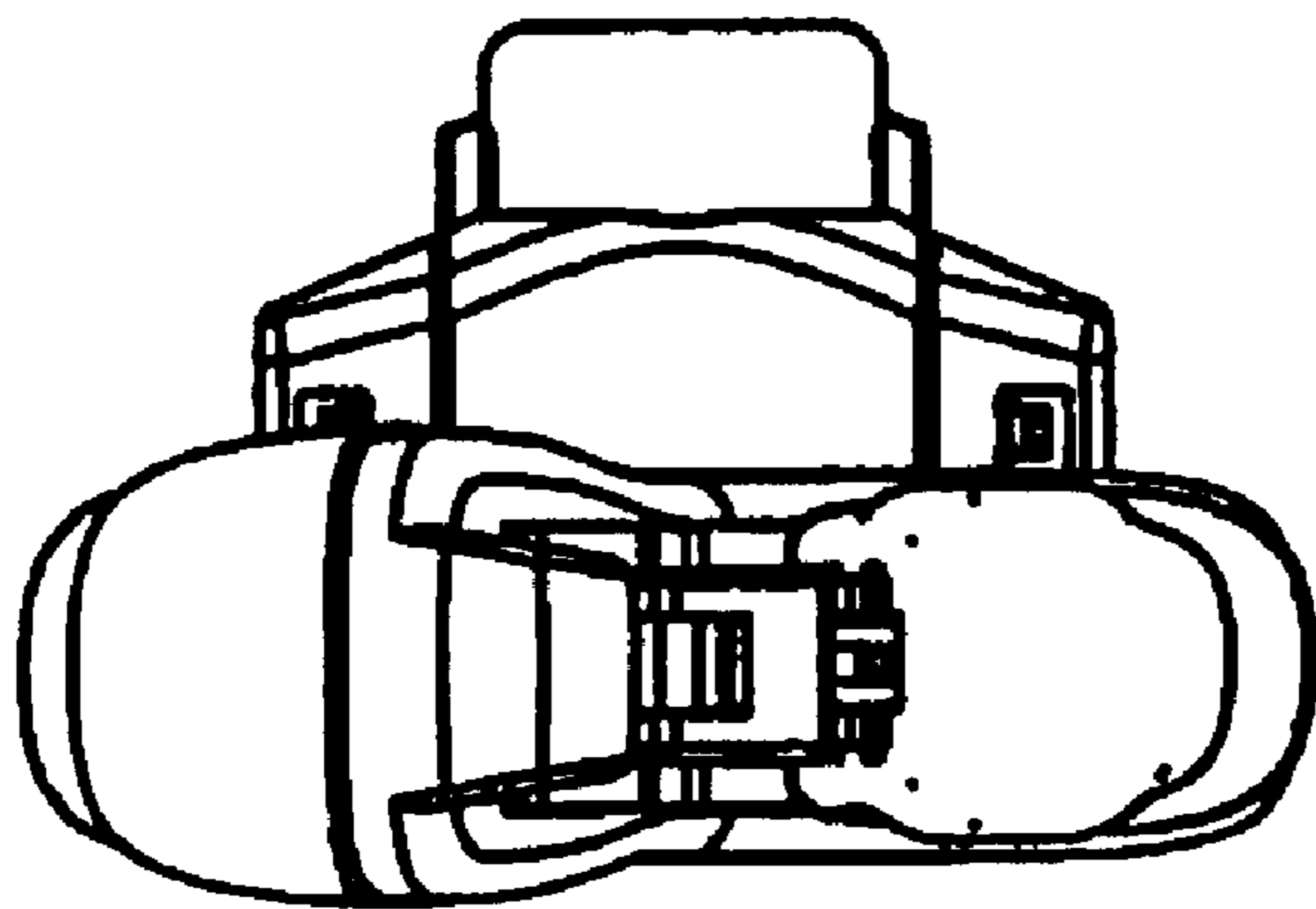


FIG. 5

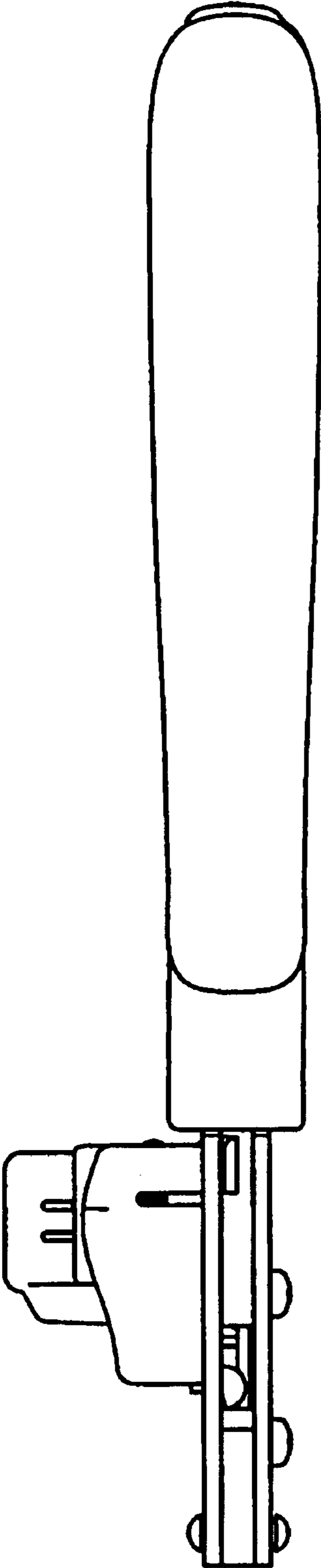


FIG. 6

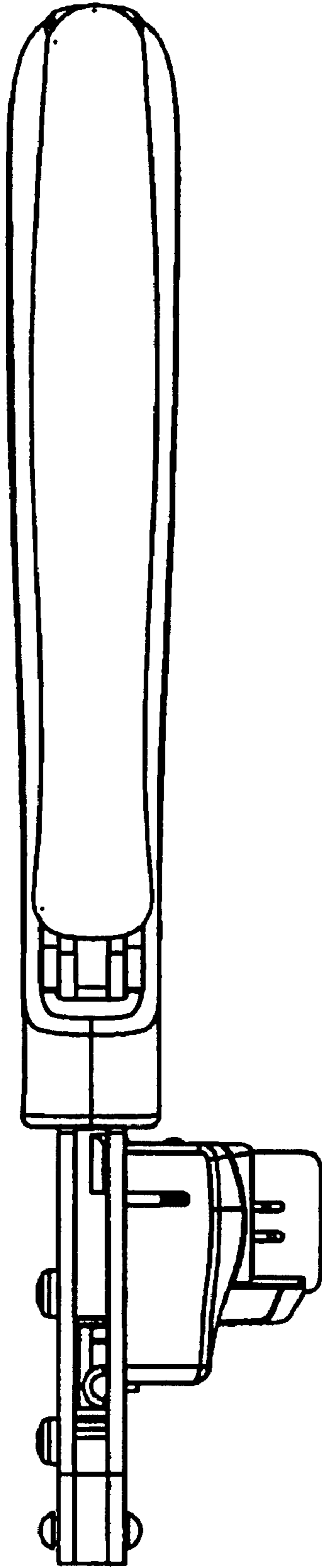


FIG. 7