

US00D544322S

(12) **United States Design Patent**
Horobec

(10) **Patent No.:** **US D544,322 S**

(45) **Date of Patent:** **** Jun. 12, 2007**

(54) **TAPERED HELIX SOCKET**

(76) Inventor: **Bill R. Horobec**, 4900 Brittany Dr.,
Suite 904, St. Petersburg, FL (US)
33715

(**) Term: **14 Years**

(21) Appl. No.: **29/228,004**

(22) Filed: **Apr. 19, 2005**

(51) **LOC (8) Cl.** **08-05**

(52) **U.S. Cl.** **D8/29**

(58) **Field of Classification Search** D8/21-29;
81/119, 121.1, 120, 124.3, 124.4, 124.6, 124.7,
81/125, 177.1, 177.2, 177.85, 436, 177.6,
81/186, 58-63.2, 3.09, 486, 158, 122, 53.2,
81/441

See application file for complete search history.

(56) **References Cited**

U.S. PATENT DOCUMENTS

3,161,090	A *	12/1964	McLellan	81/53.2
5,551,320	A *	9/1996	Horobec et al.	81/53.2
5,737,981	A *	4/1998	Hildebrand	81/53.2
5,904,076	A *	5/1999	Siwy	81/121.1
6,047,620	A *	4/2000	Kozak et al.	81/441
6,339,976	B1 *	1/2002	Jordan	81/53.2
6,598,498	B1 *	7/2003	Pigford et al.	81/53.2
6,877,402	B1 *	4/2005	Pigford et al.	81/53.2
7,152,508	B2 *	12/2006	McCalley et al.	81/53.2
7,152,509	B2 *	12/2006	McCalley et al.	81/53.2

OTHER PUBLICATIONS

Snap-on tool catalog dated 1990 pp. 246 and 247.*

* cited by examiner

Primary Examiner—Raphael Barkai

Assistant Examiner—Randall H. Gholson

(74) *Attorney, Agent, or Firm*—Larson & Larson; Herbert W. Larson

(57) **CLAIM**

The ornamental design for a tapered helix socket, as shown and described.

DESCRIPTION

FIG. 1 is a top plan view of the tapered helix socket, showing my novel design;

FIG. 2 is a bottom plan view thereof;

FIG. 3 is a front elevational view thereof;

FIG. 4 is a rear elevational view thereof;

FIG. 5 is a left side view thereof;

FIG. 6 is a right side view thereof;

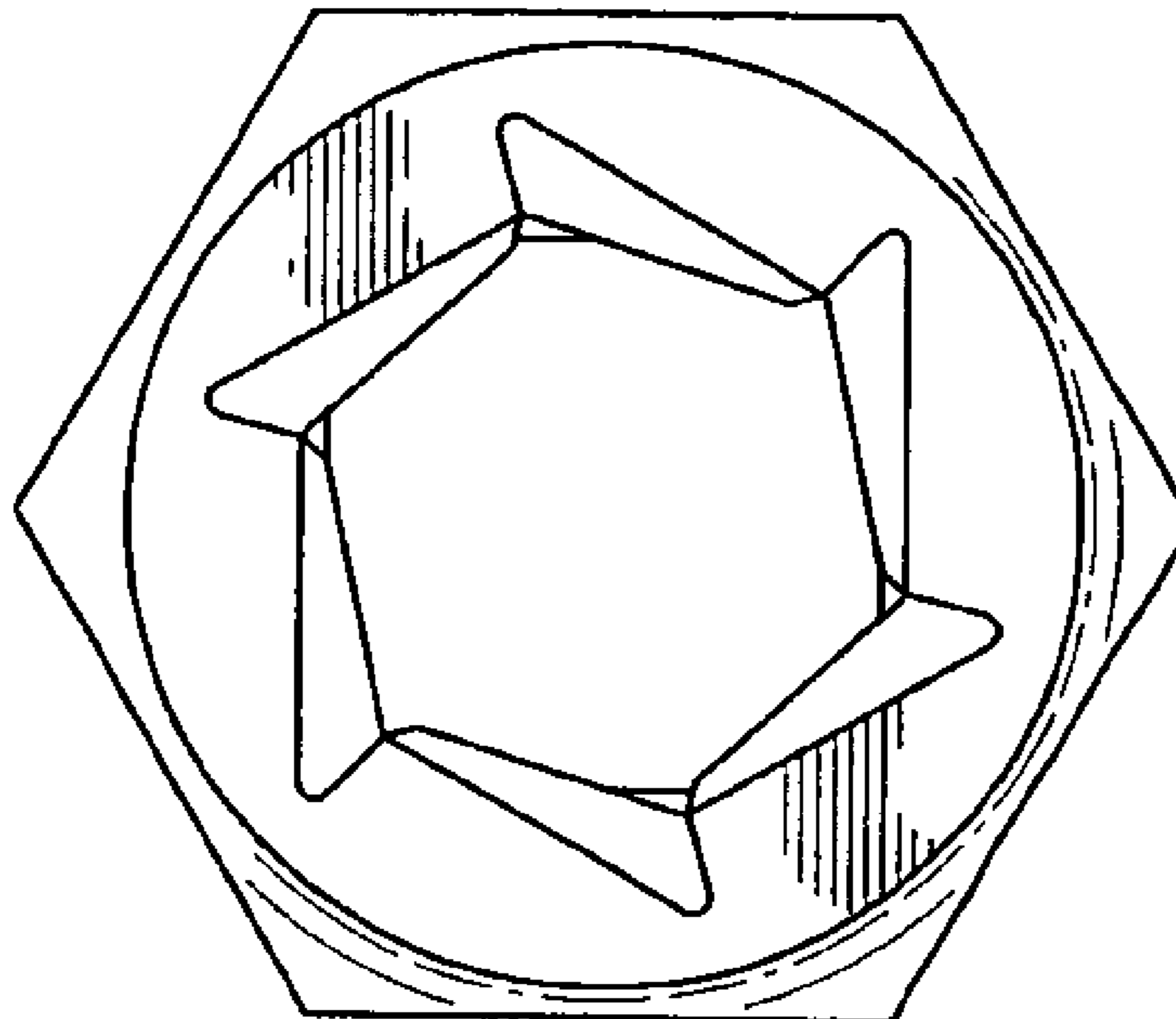
FIG. 7 is an upper perspective view of the tapered helix socket of the present invention;

FIG. 8 is a lower perspective view of the tapered helix socket of the present invention; and,

FIG. 9 is a perspective view of the tapered helix socket of the present invention as shown positioned in a wrench with a bolt head removed by the socket.

The broken lines shown in FIG. 9 are for illustrative purposes only and form no part of the claimed design.

1 Claim, 5 Drawing Sheets



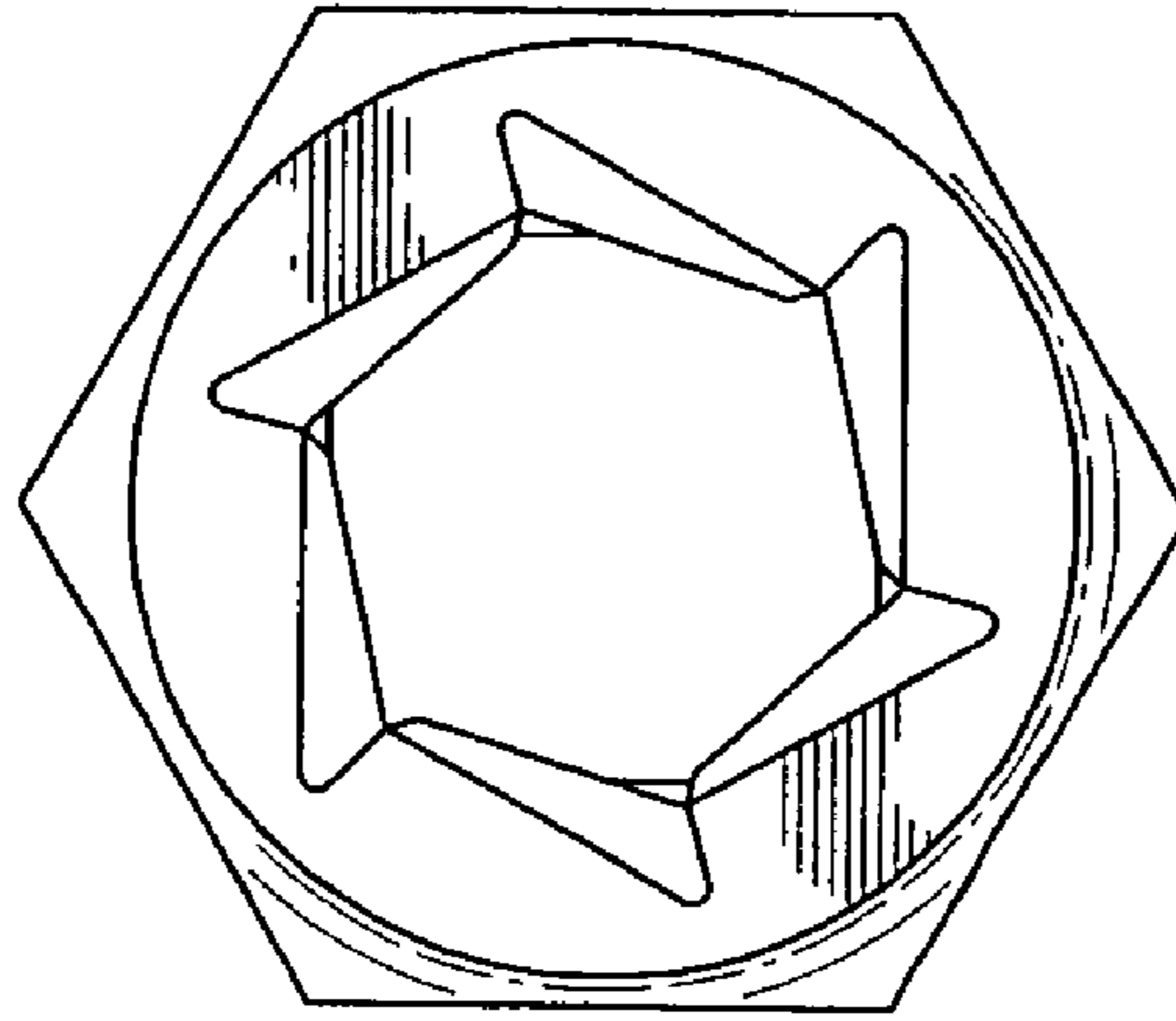


FIG. 1

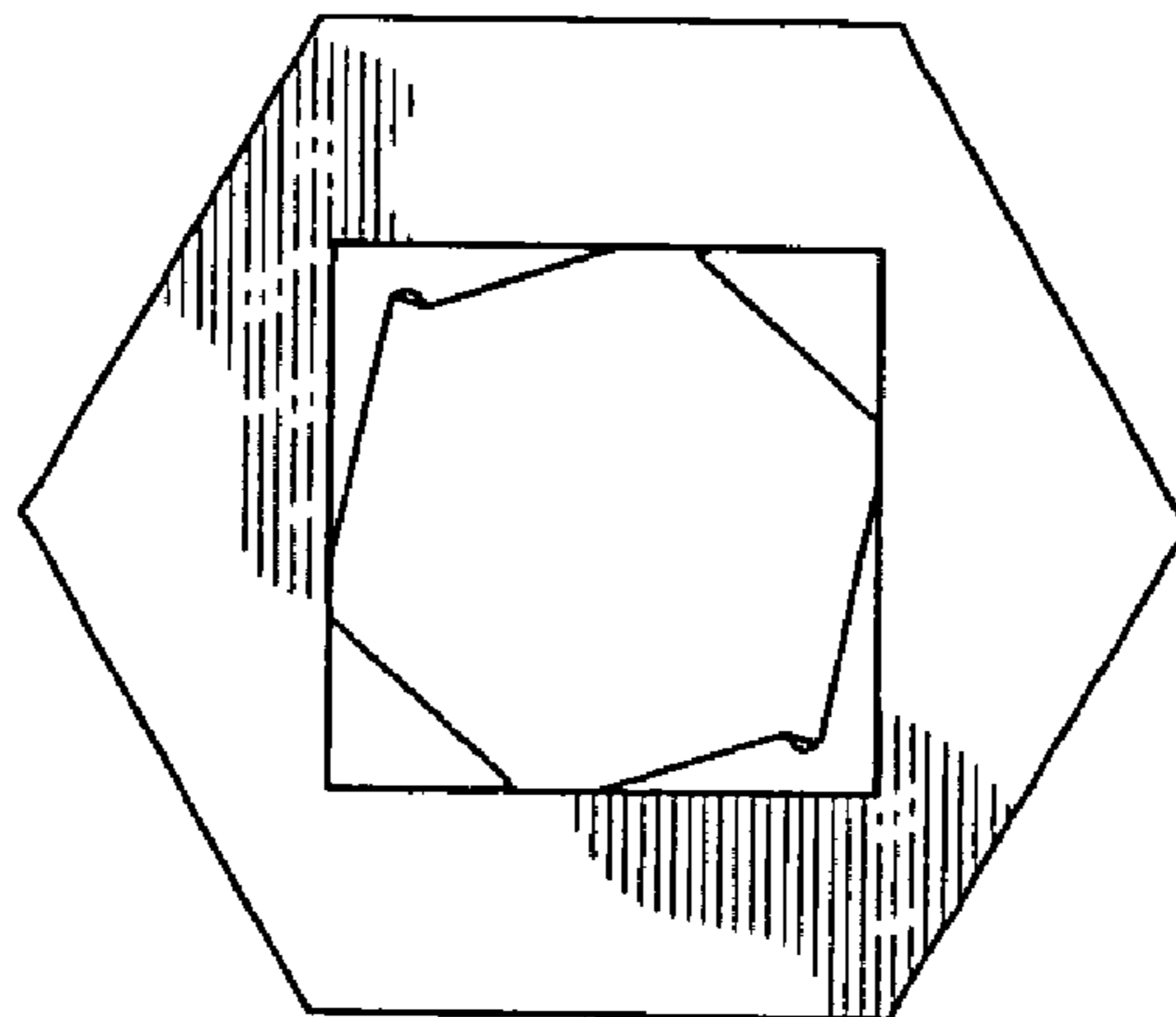


FIG. 2

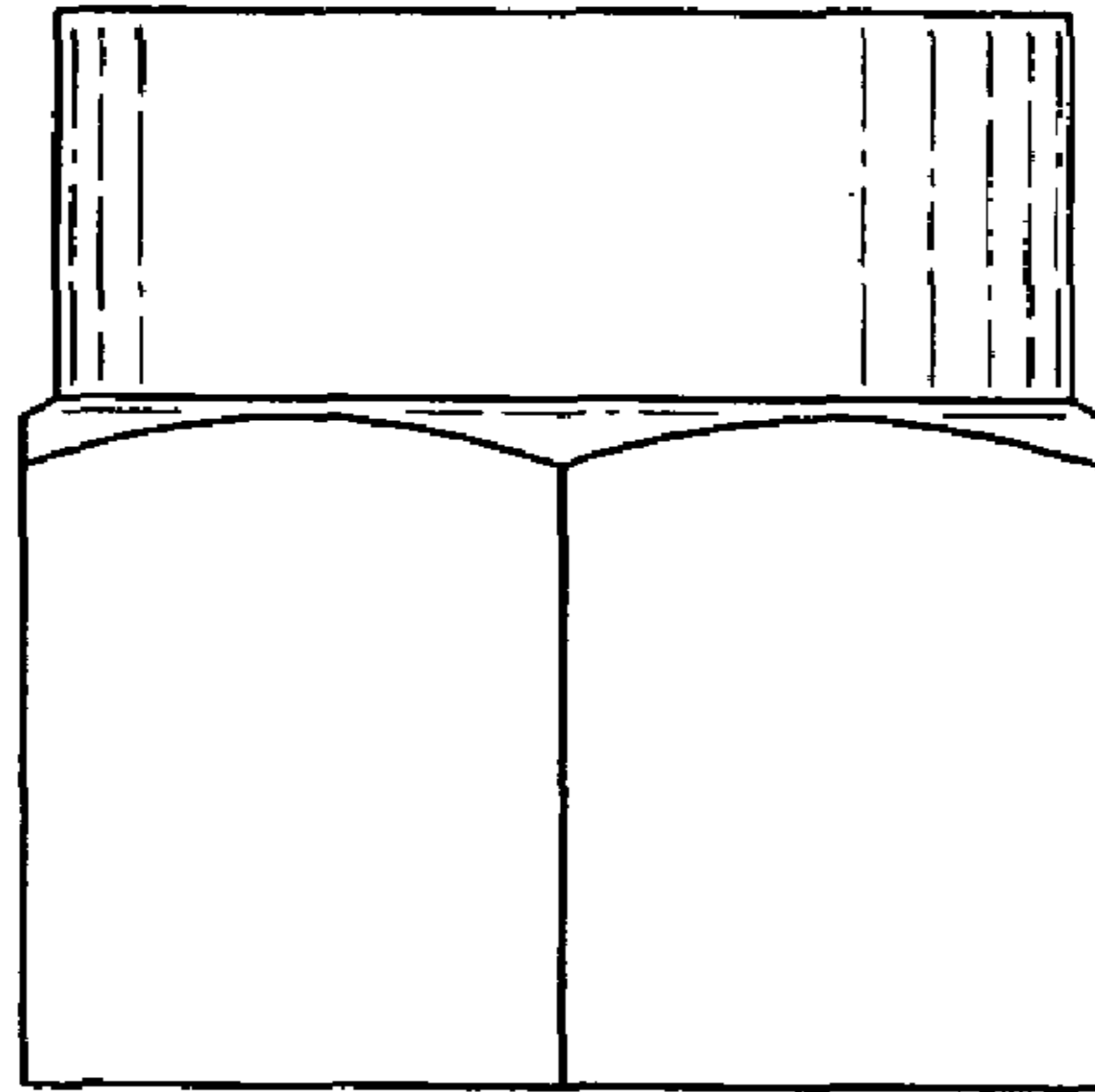


FIG. 3

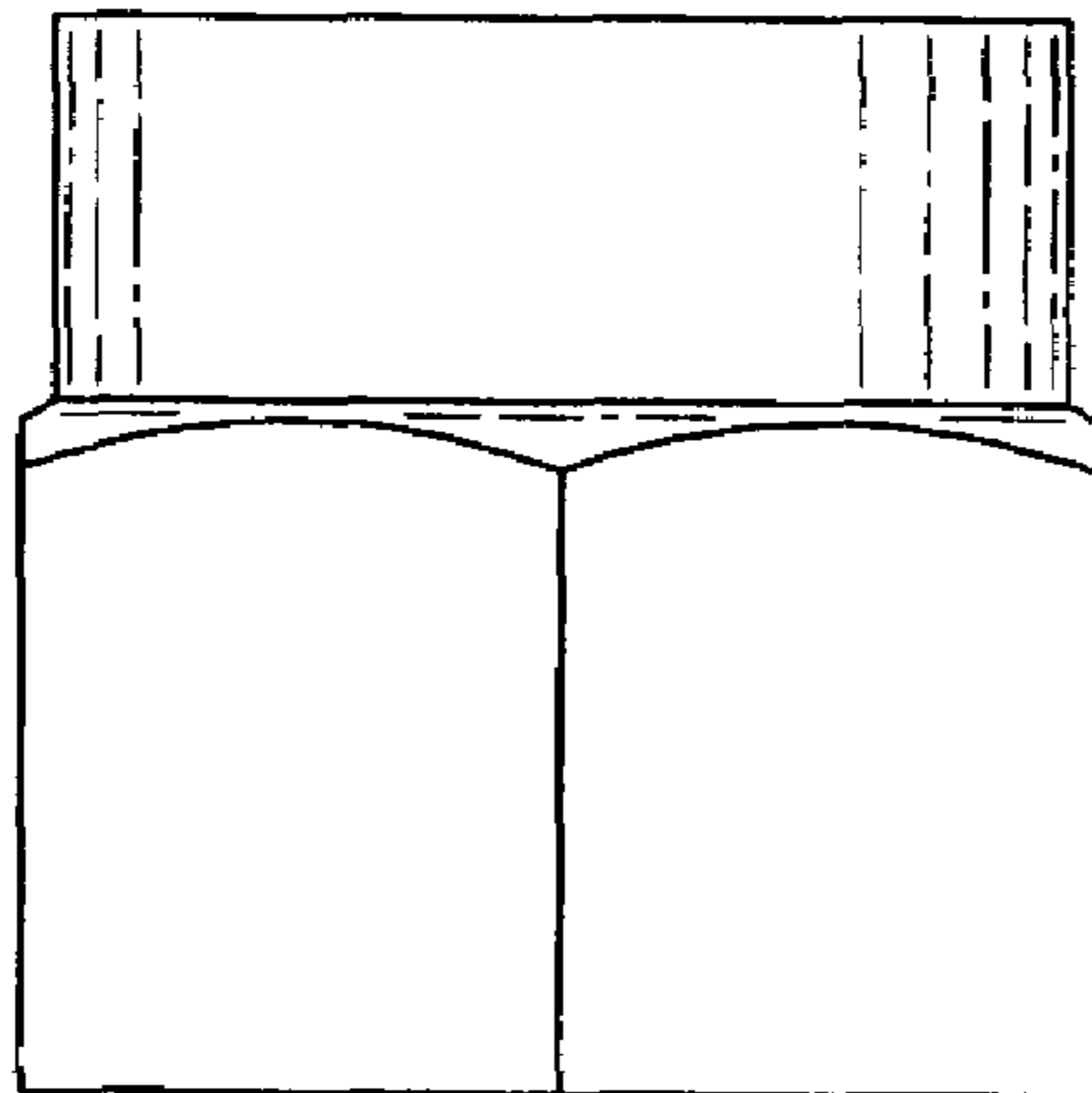


FIG. 4

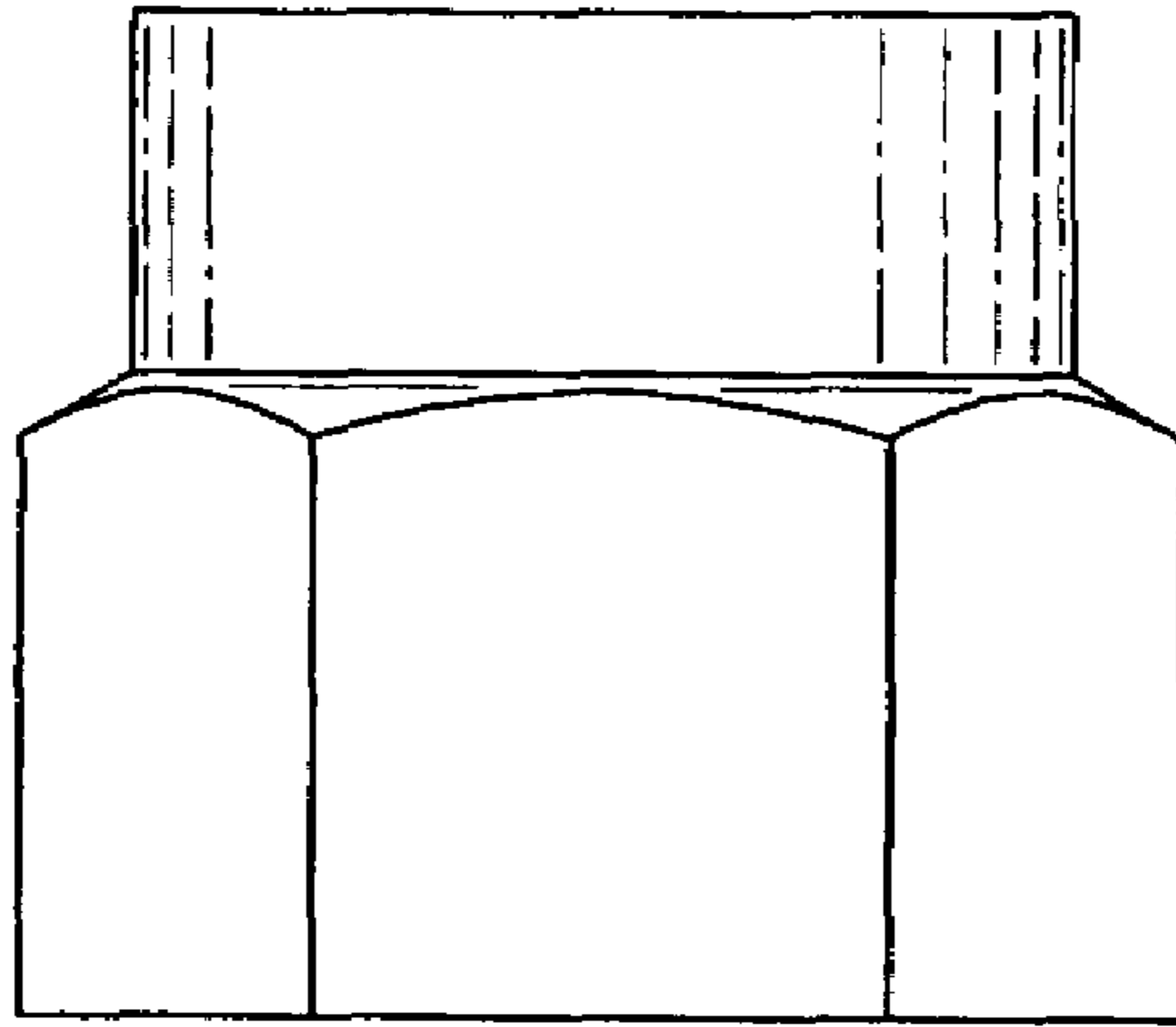


FIG. 5

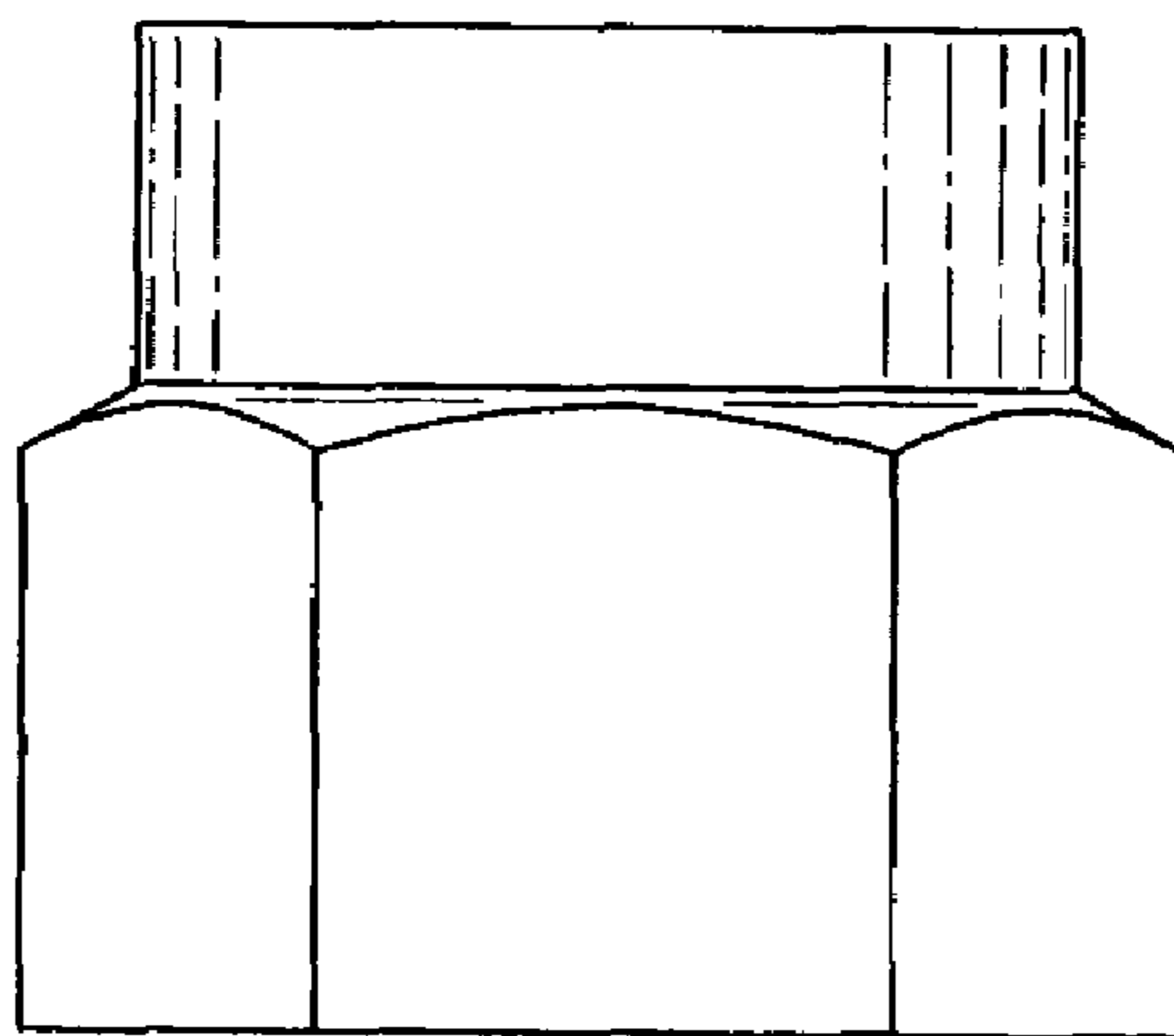


FIG. 6

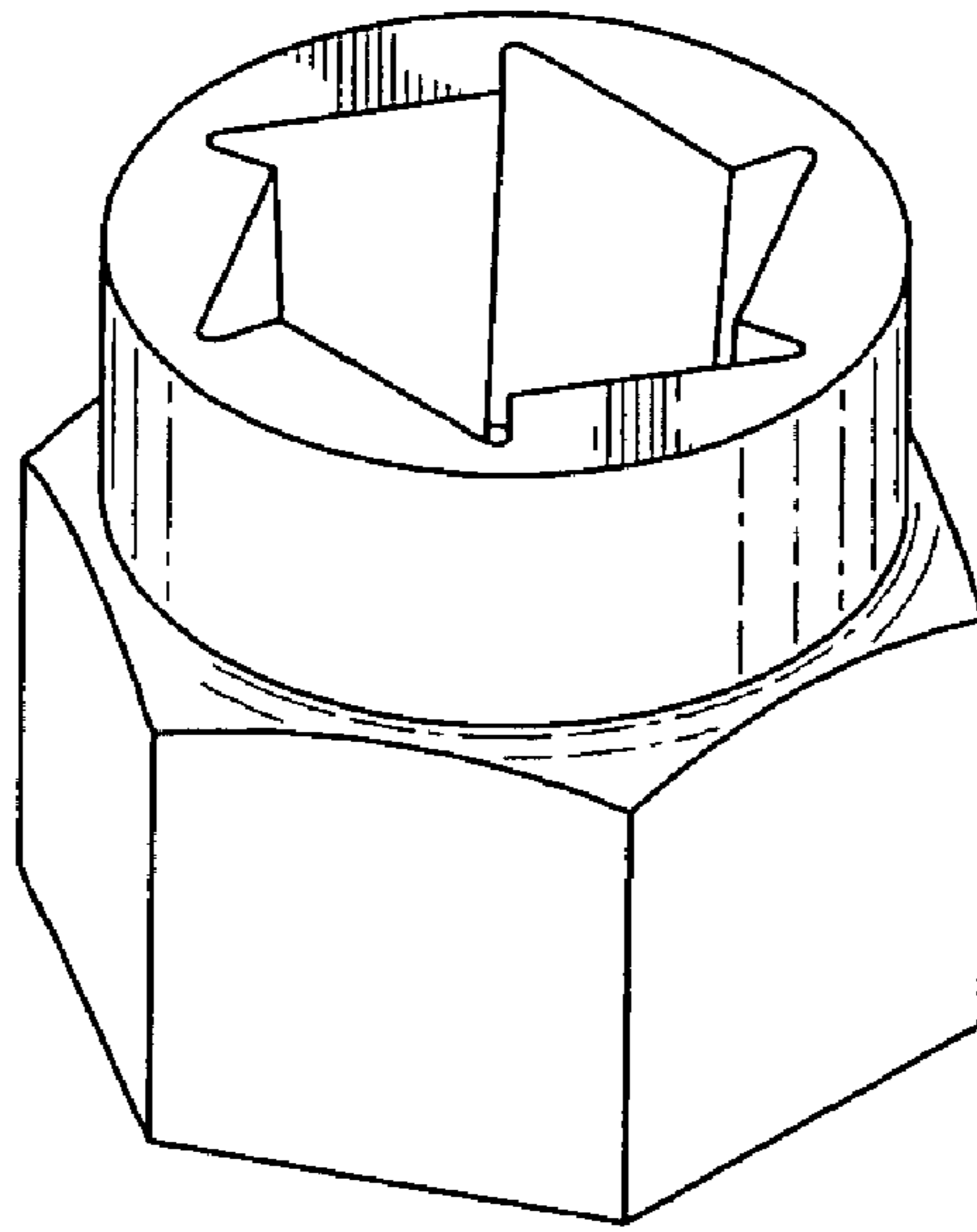


FIG. 7

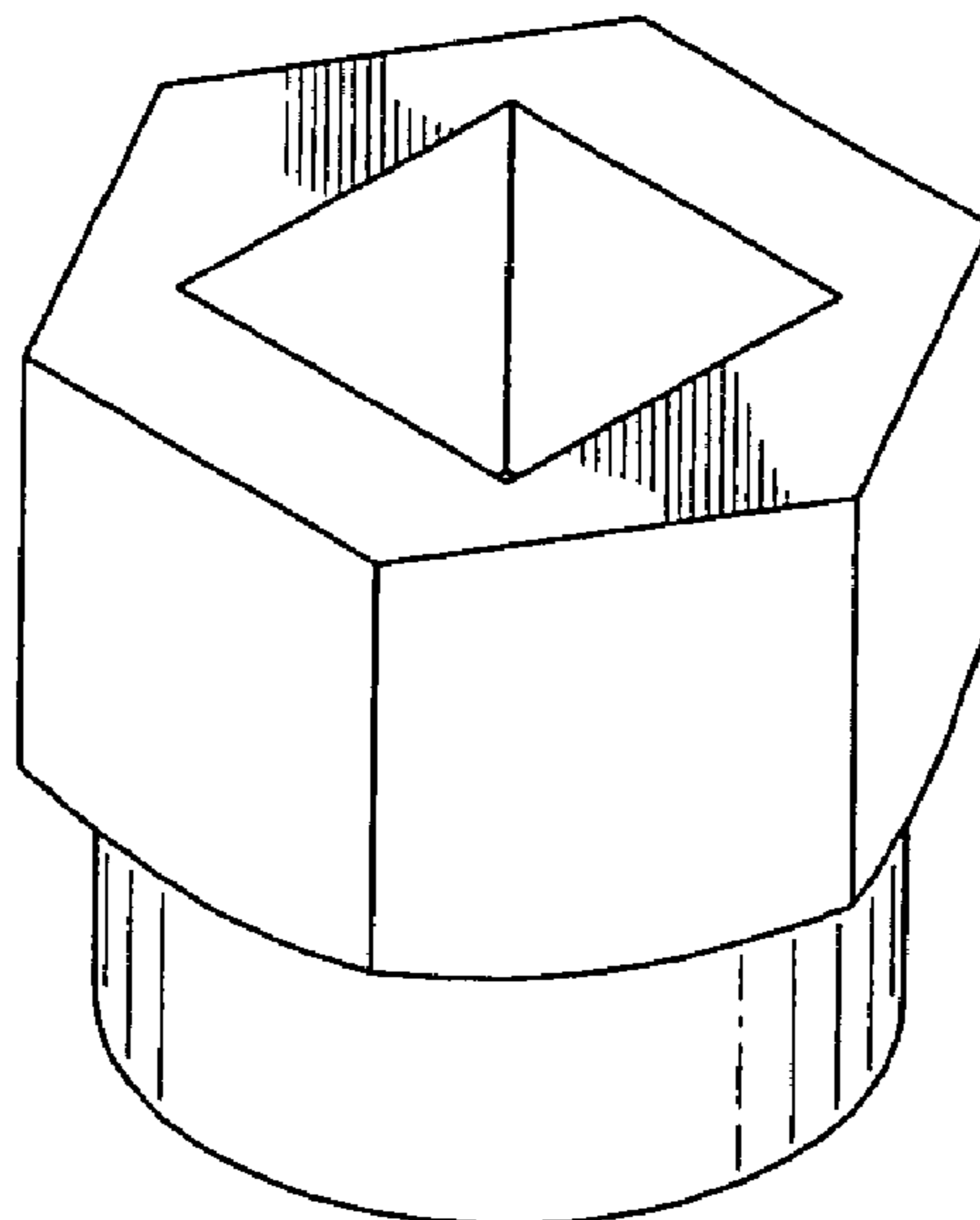


FIG. 8

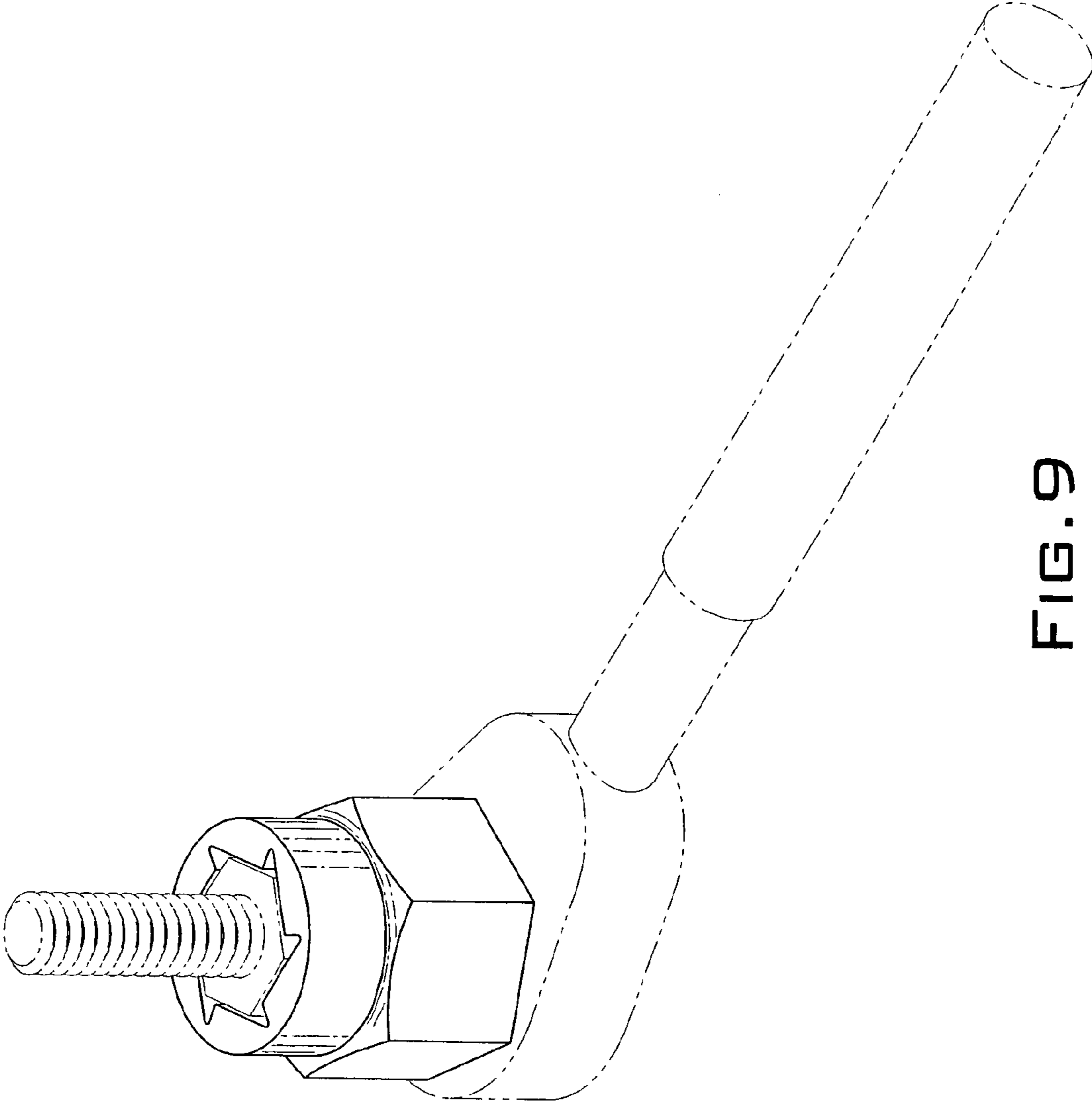


FIG. 9