

US00D544319S

(12) **United States Design Patent**
Peterson

(10) **Patent No.:** **US D544,319 S**

(45) **Date of Patent:** **** Jun. 12, 2007**

(54) **PINEAPPLE CUTTER**

D488,361 S * 4/2004 Bertulis D7/693

(75) Inventor: **Sarah S. Peterson**, Seattle, WA (US)

* cited by examiner

(73) Assignee: **Progressive International Corp.**, Kent, WA (US)

Primary Examiner—Terry A. Wallace

(74) *Attorney, Agent, or Firm*—Black Lowe & Graham, PLLC

(**) Term: **14 Years**

(57) **CLAIM**

(21) Appl. No.: **29/248,962**

I claim the ornamental design for the pineapple cutter, as shown.

(22) Filed: **Sep. 12, 2006**

(51) **LOC (8) Cl.** **07-04**

(52) **U.S. Cl.** **D7/693**

(58) **Field of Classification Search** D7/680–696,
D7/393, 395; D8/107; 16/110.1, 430, 431;
30/114, 115, 117, 113.1, 123.5–123.7, 300–302;
99/538–545

See application file for complete search history.

DESCRIPTION

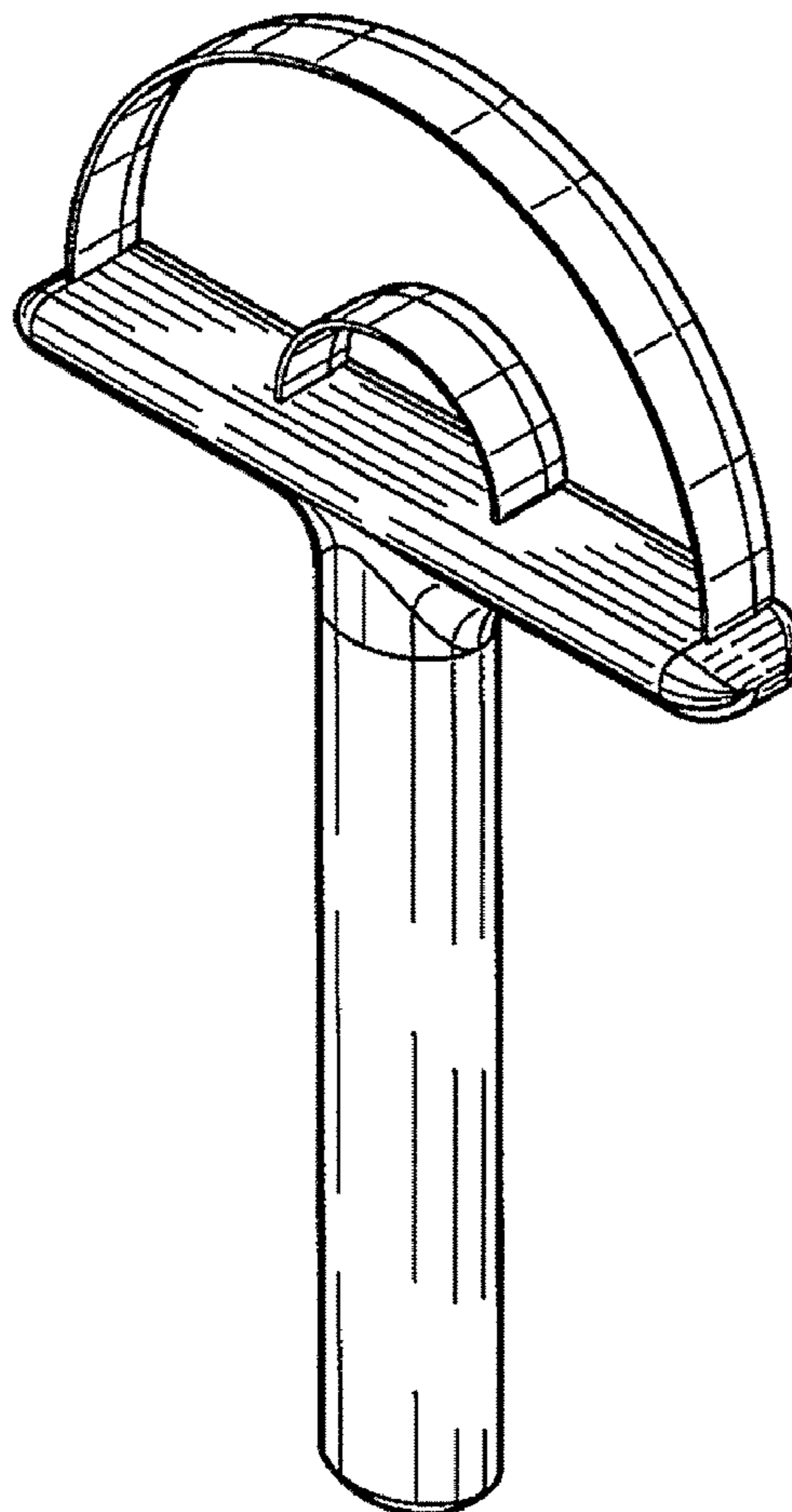
FIG. 1 is a front view of the pineapple cutter;
FIG. 2 is a left side view of the pineapple cutter;
FIG. 3 is a top view of the pineapple cutter;
FIG. 4 is a bottom view of the pineapple cutter;
FIG. 5 is a right side view of the pineapple cutter;
FIG. 6 is a back view of the pineapple cutter;
FIG. 7 is a front top perspective view of the pineapple cutter;
and,
FIG. 8 front bottom perspective view of the pineapple cutter.

(56) **References Cited**

U.S. PATENT DOCUMENTS

4,246,700	A *	1/1981	Coulon et al.	30/300
4,690,047	A *	9/1987	Balzano	99/542
5,533,442	A *	7/1996	Tateno	99/541

1 Claim, 3 Drawing Sheets



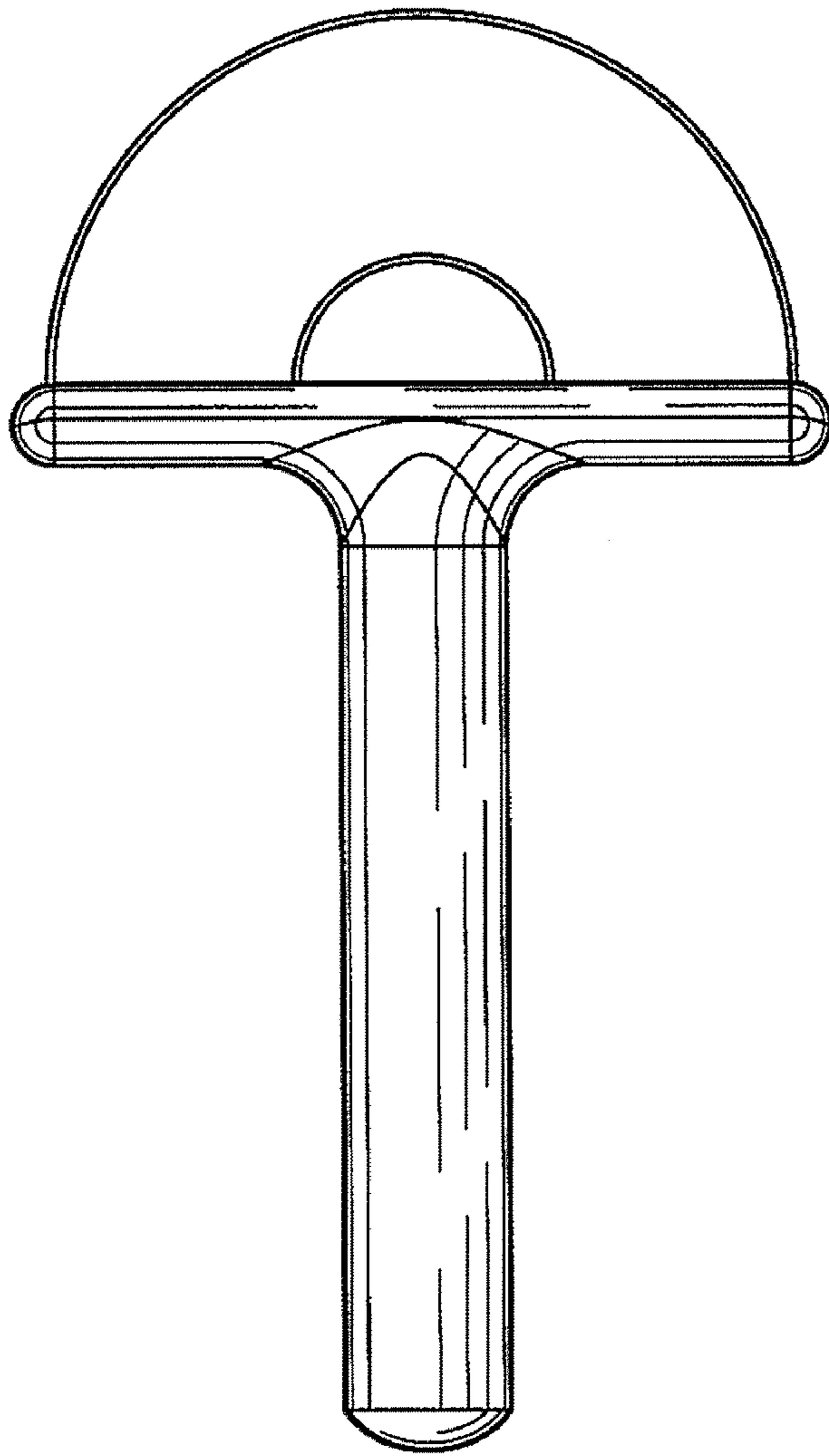


FIG. 1



FIG. 2

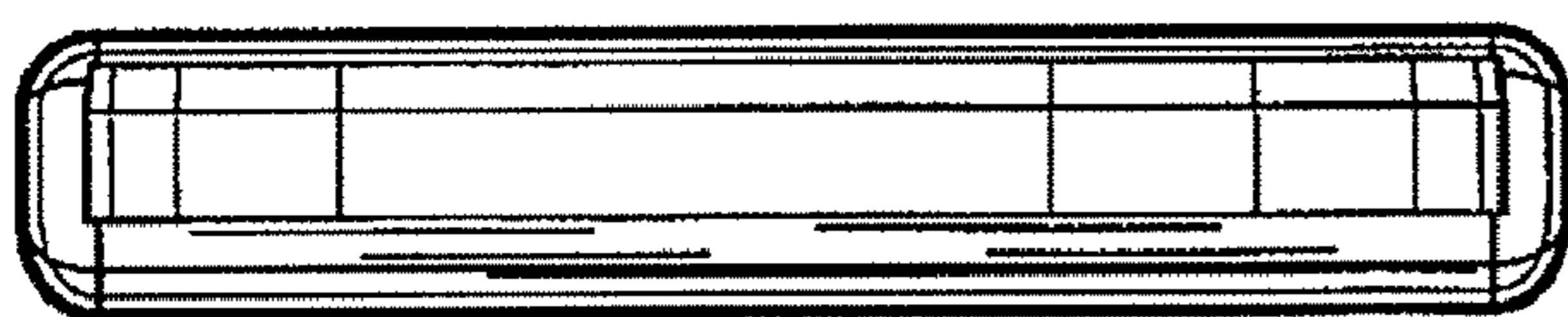


FIG. 3



FIG. 4

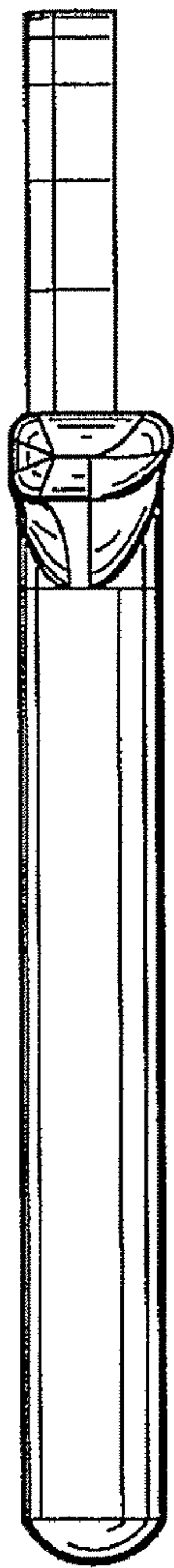


FIG. 5

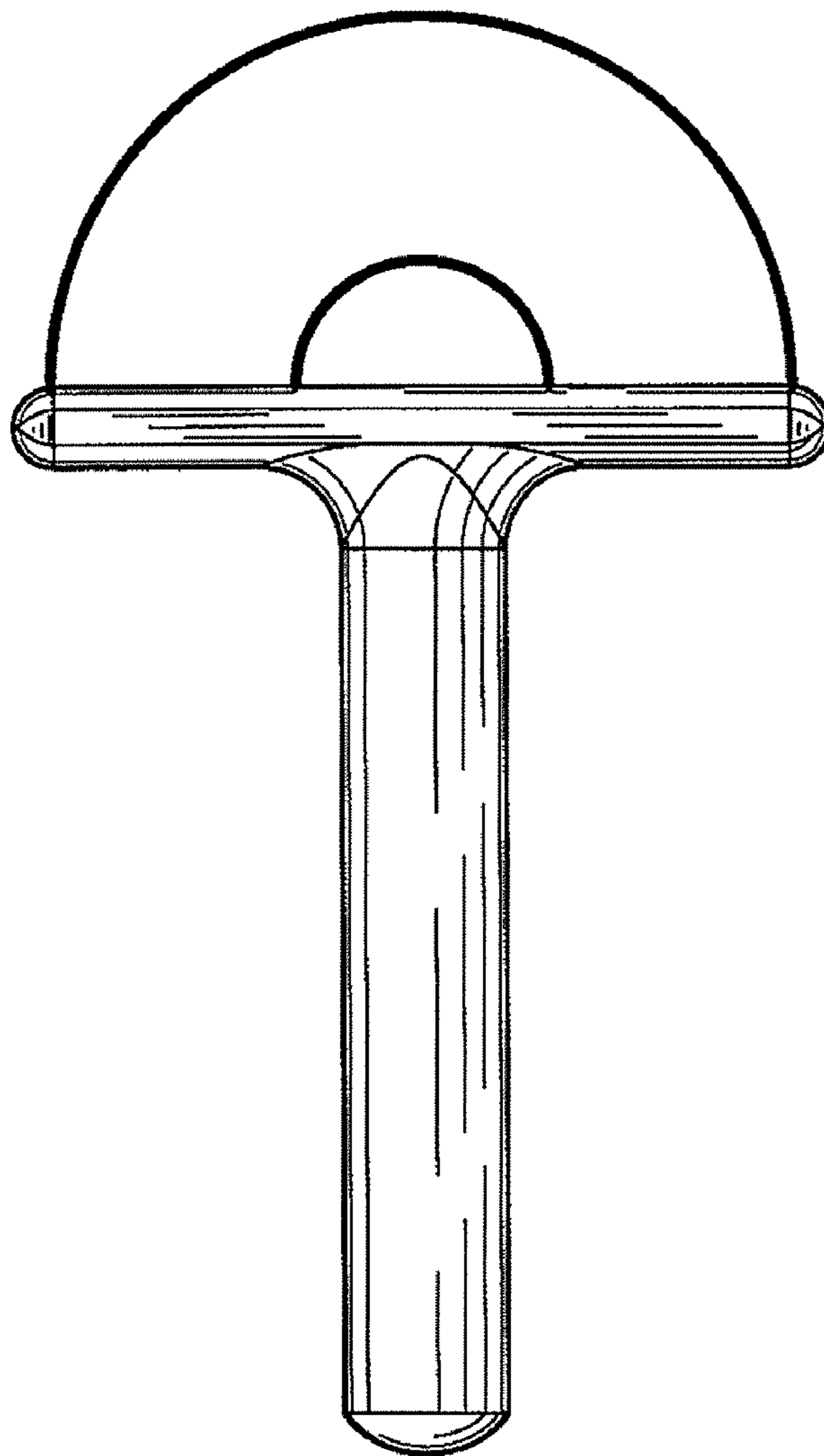


FIG. 6

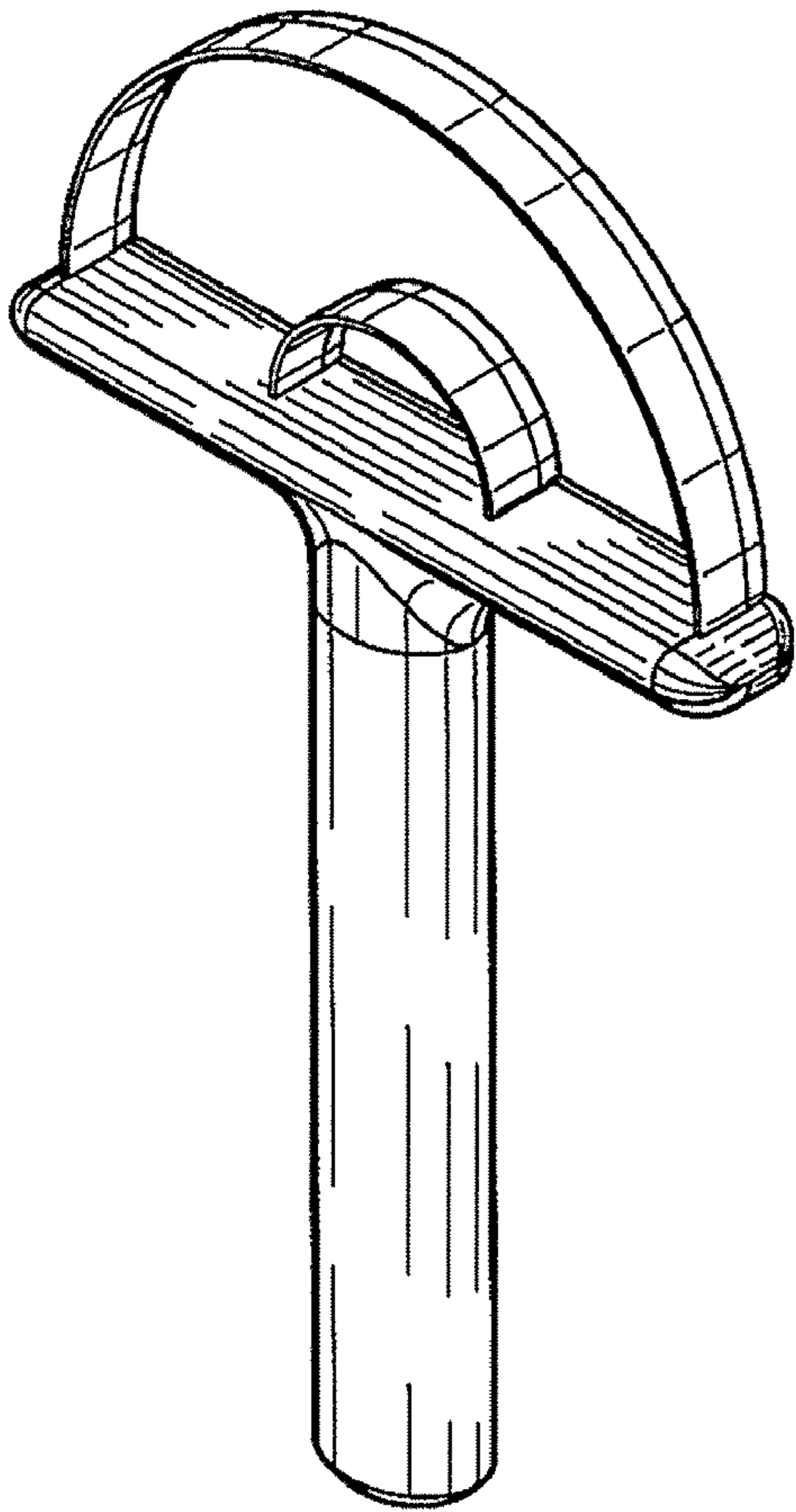


FIG. 7

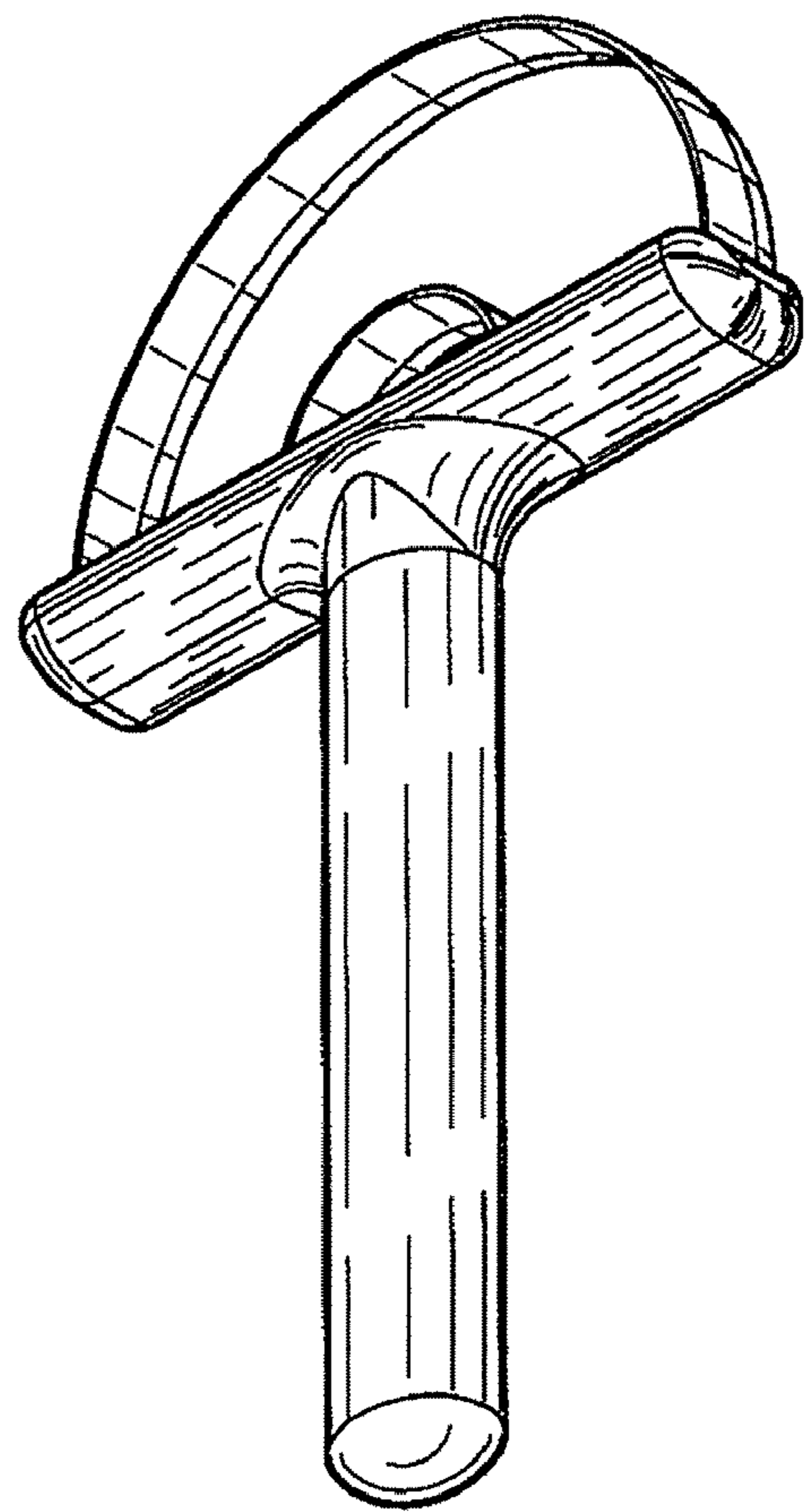


FIG. 8