



US00D544318S

(12) **United States Design Patent**  
**Bodum**

(10) **Patent No.:** **US D544,318 S**

(45) **Date of Patent:** **\*\* Jun. 12, 2007**

(54) **JUICER**

(75) Inventor: **Jørgen Bodum**, St. Niklausen (CH)

(73) Assignee: **Pi-Design AG**, Triengen (CH)

(\*\*) Term: **14 Years**

(21) Appl. No.: **29/257,898**

(22) Filed: **Apr. 12, 2006**

(30) **Foreign Application Priority Data**

Oct. 18, 2005 (DK) ..... DA 2005 00296

(51) **LOC (8) Cl.** ..... **31-00**

(52) **U.S. Cl.** ..... **D7/665**

(58) **Field of Classification Search** ..... D7/665,  
D7/666, 373, 374, 381, 384; 99/501-513,  
99/495, 499, 348, 357; 241/36, 37.5, 92,  
241/100, 282.1

See application file for complete search history.

(56) **References Cited**

**U.S. PATENT DOCUMENTS**

D151,822 S \* 11/1948 Hammers ..... D7/665

D227,971 S \* 7/1973 Weiss ..... D7/665

D428,311 S \* 7/2000 Thackray ..... D7/665

D471,771 S \* 3/2003 Hallar ..... D7/665

D472,775 S \* 4/2003 Schwamkrug ..... D7/665

\* cited by examiner

*Primary Examiner*—Terry A. Wallace

(74) *Attorney, Agent, or Firm*—Cowan, Liebowitz & Latman, P.C.

(57) **CLAIM**

The ornamental design for a juicer, as shown and described.

**DESCRIPTION**

FIG. 1 is a perspective view of the juicer showing my design thereof;

FIG. 2 is a front view thereof;

FIG. 3 is a back view thereof;

FIG. 4 is a left side view thereof;

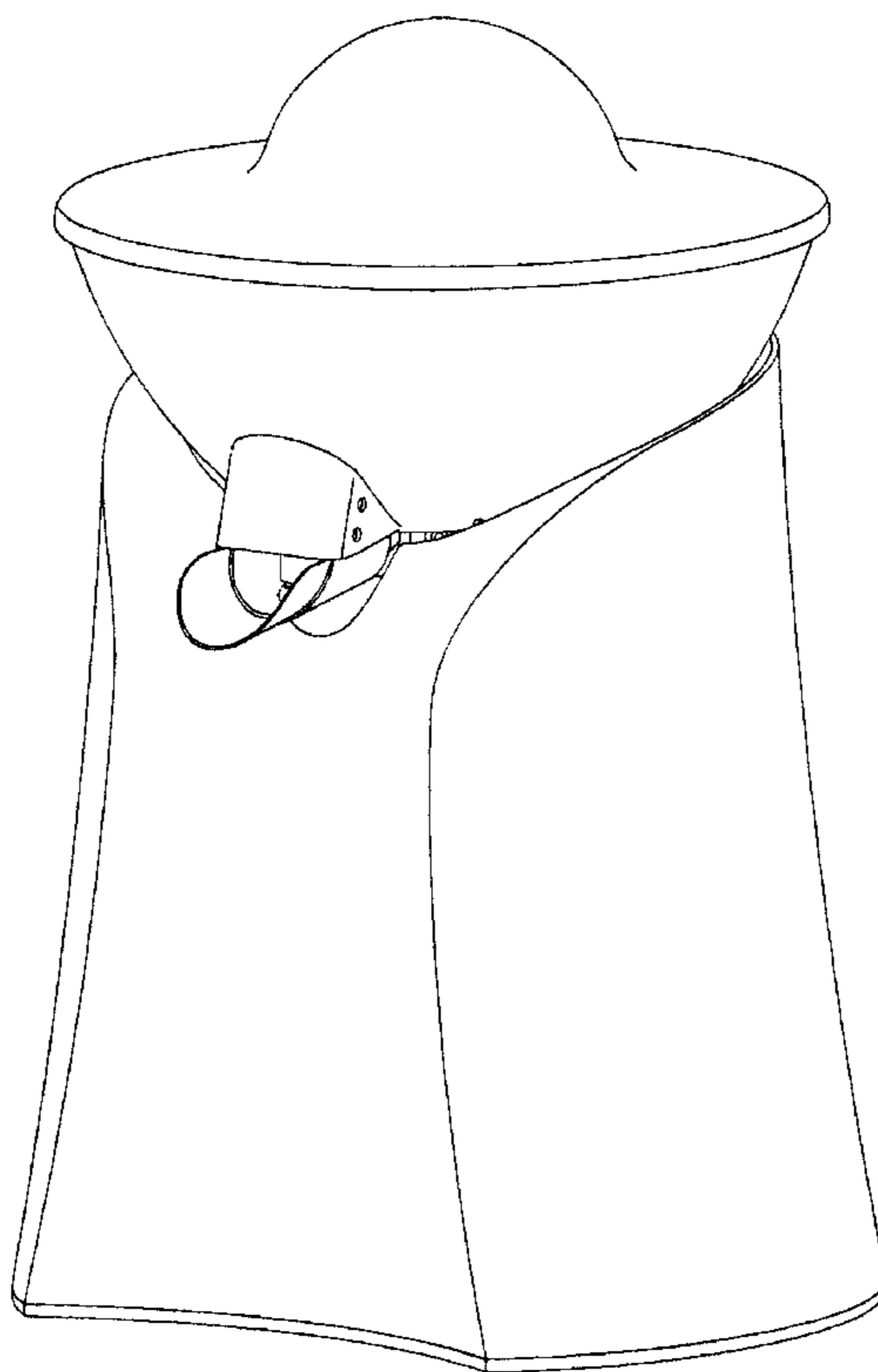
FIG. 5 is a right side view thereof;

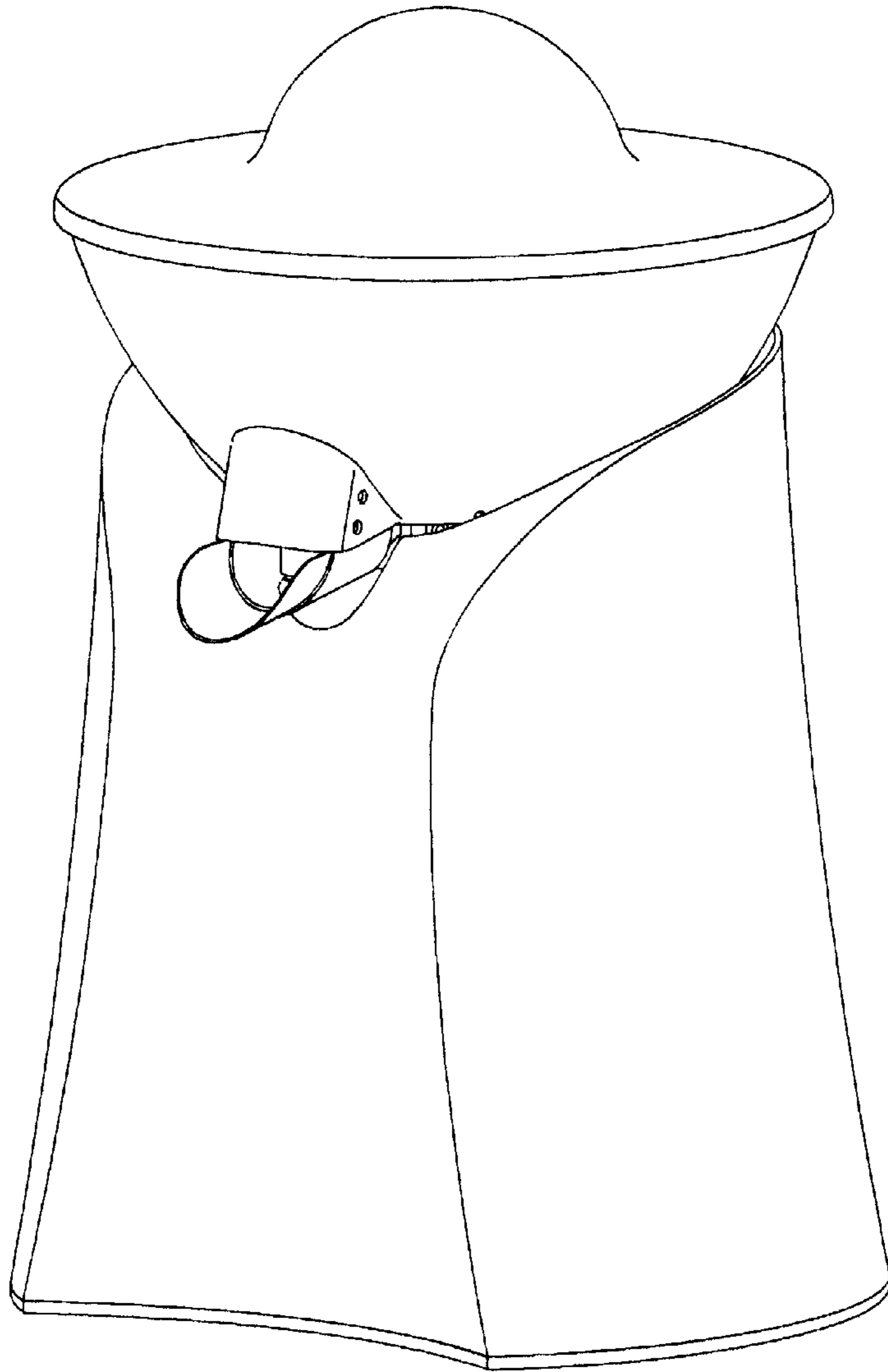
FIG. 6 is a top view thereof;

FIG. 7 is a bottom view thereof; and,

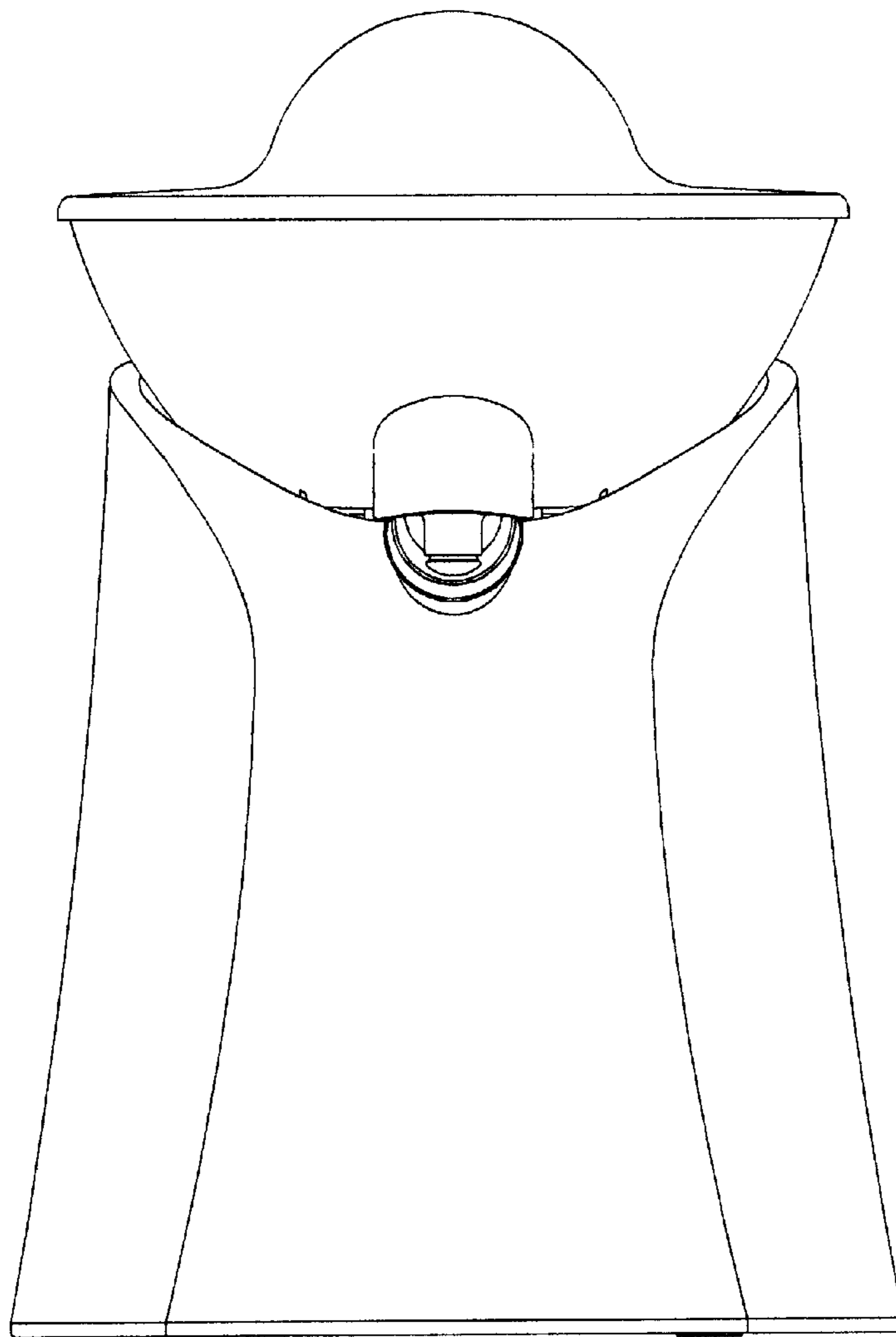
FIG. 8 is a cross-section taken along line 8—8 of FIG. 6.

**1 Claim, 8 Drawing Sheets**

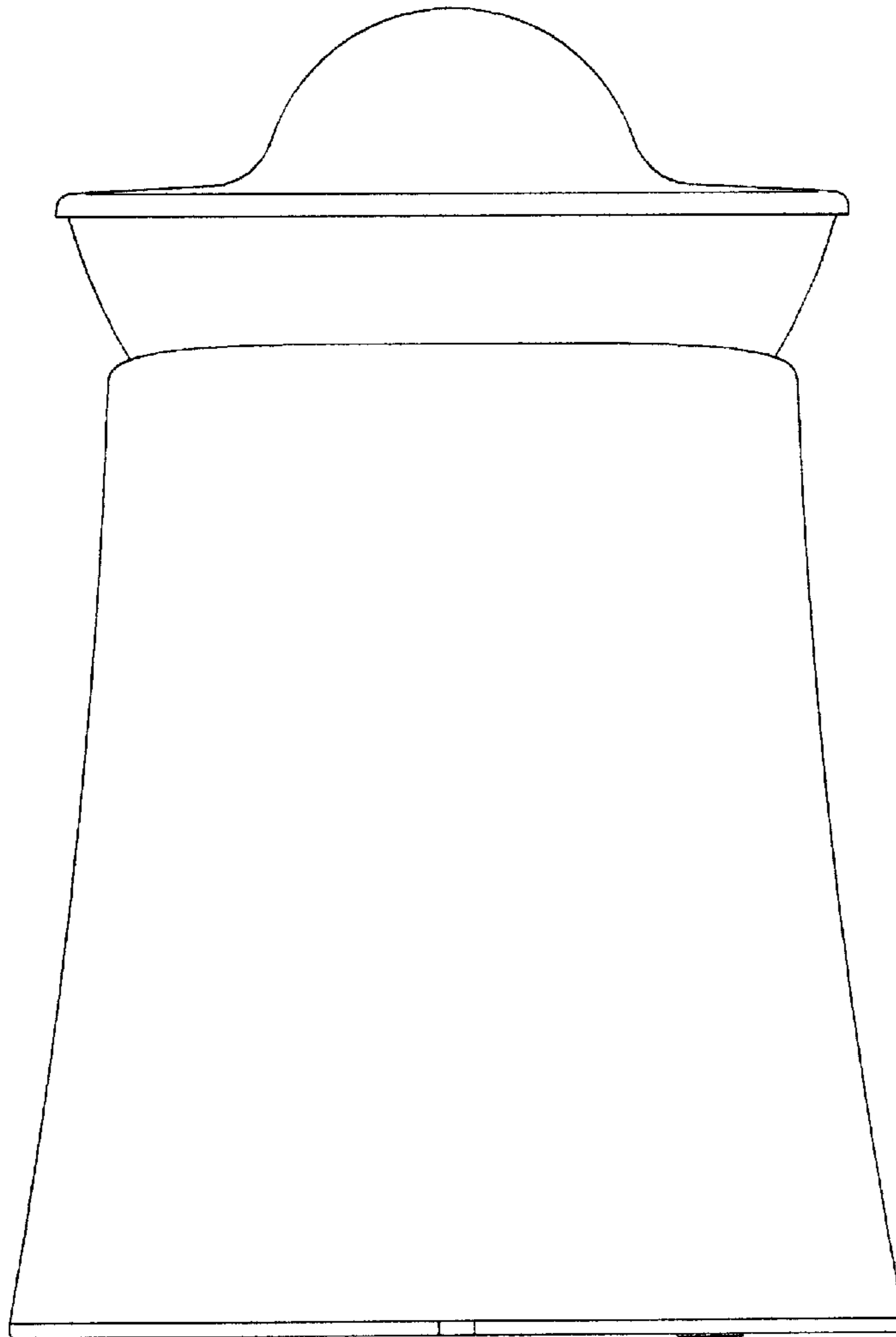




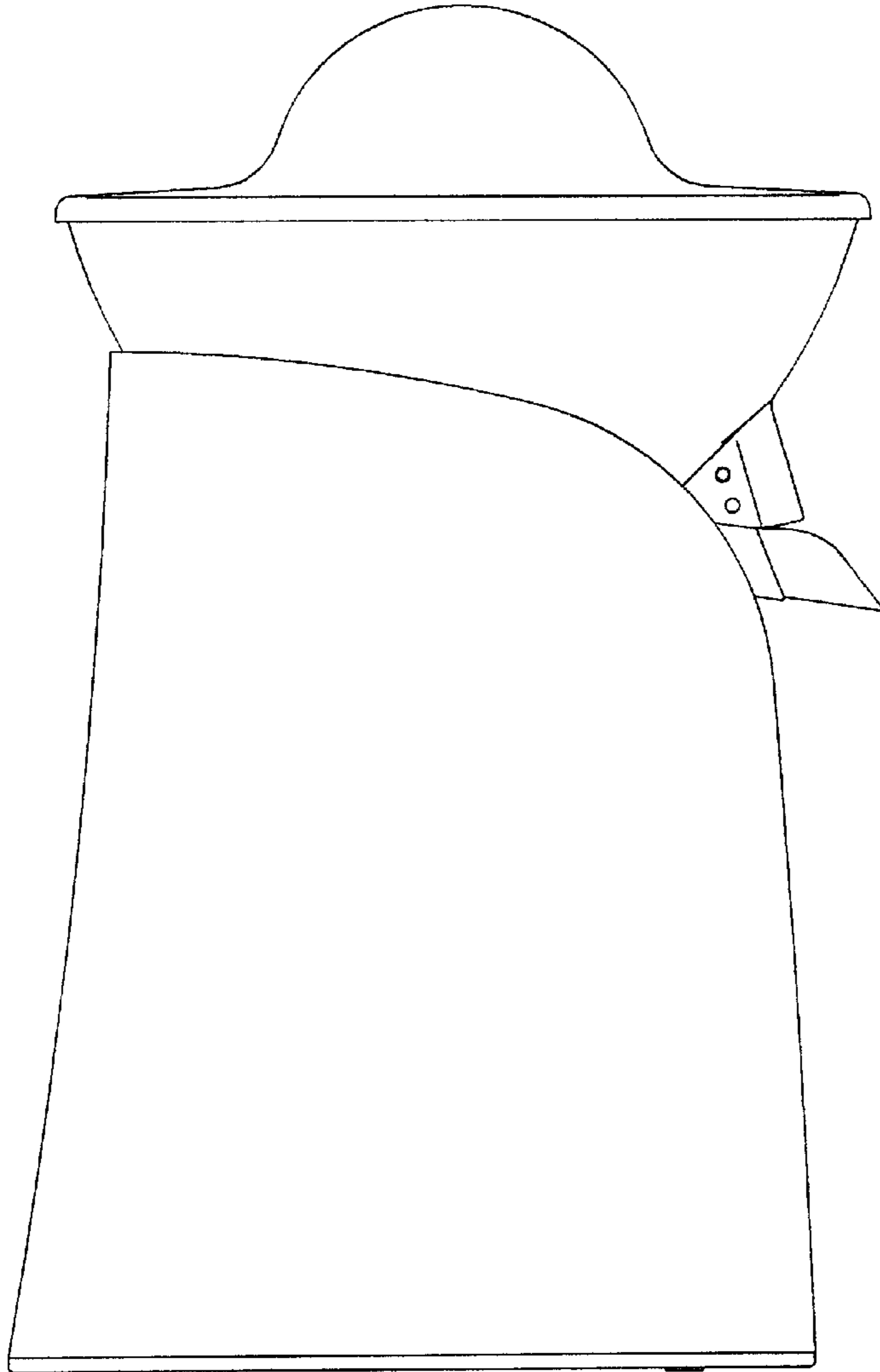
**FIG. 1**



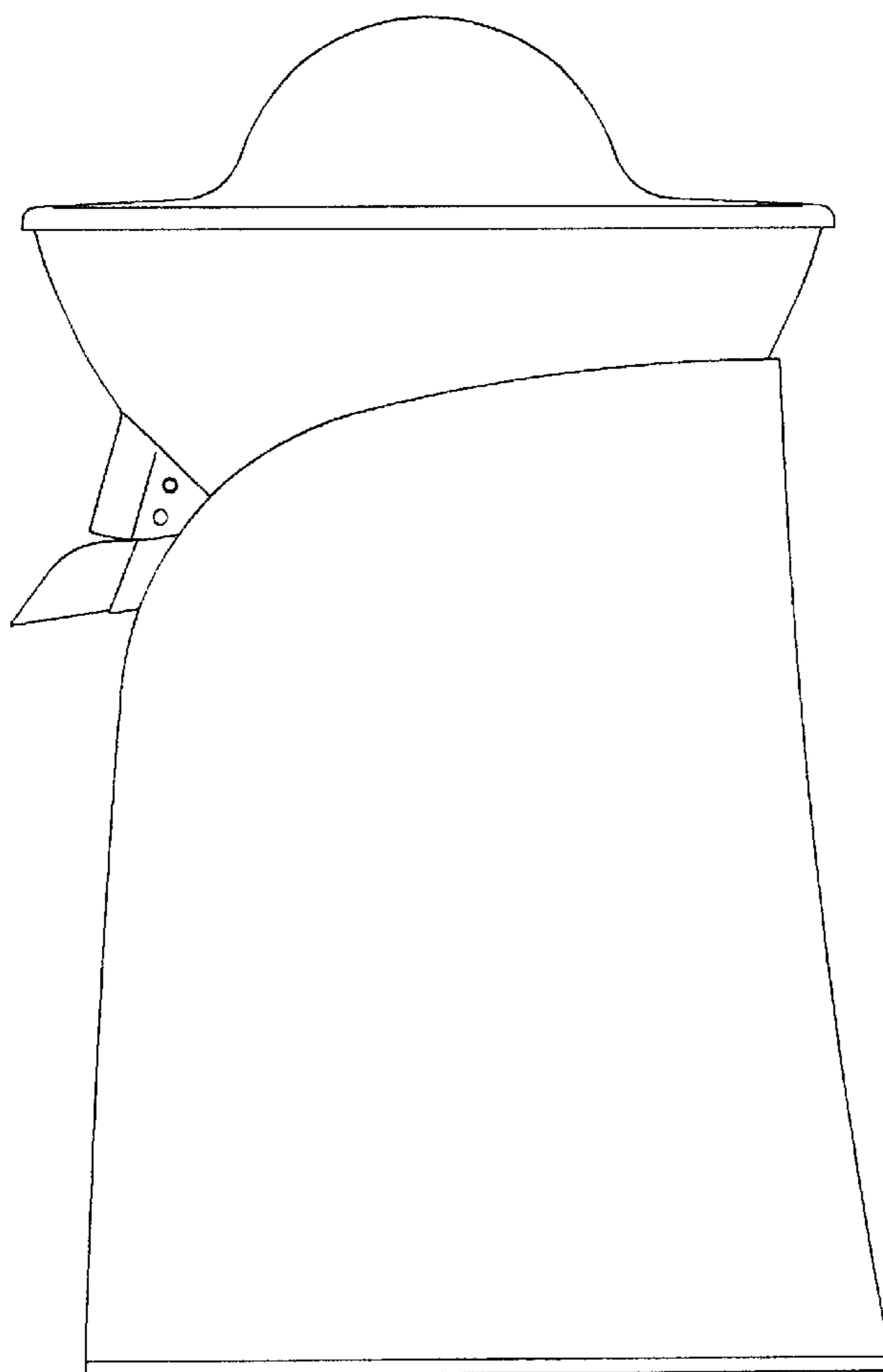
**FIG. 2**



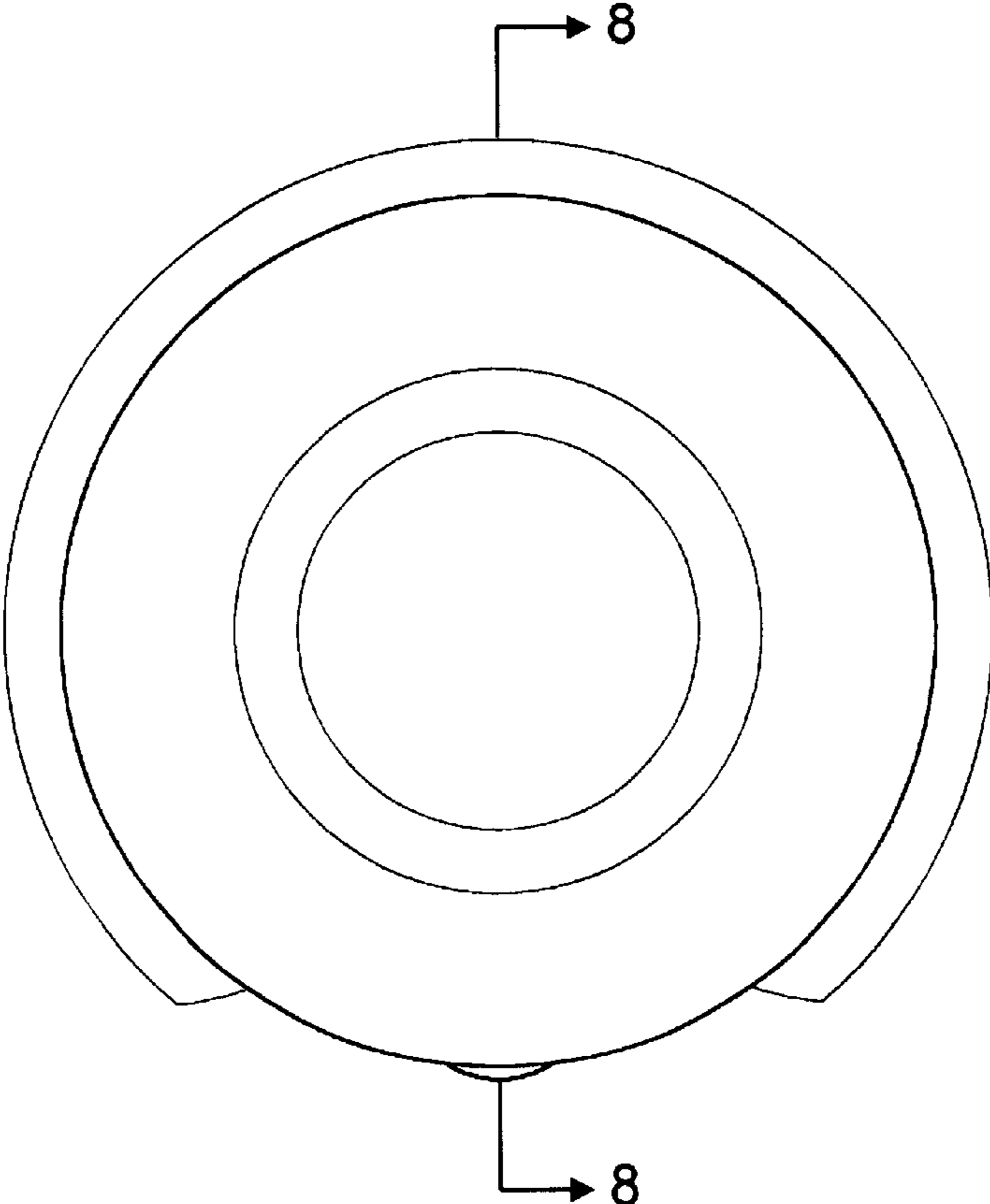
**FIG. 3**



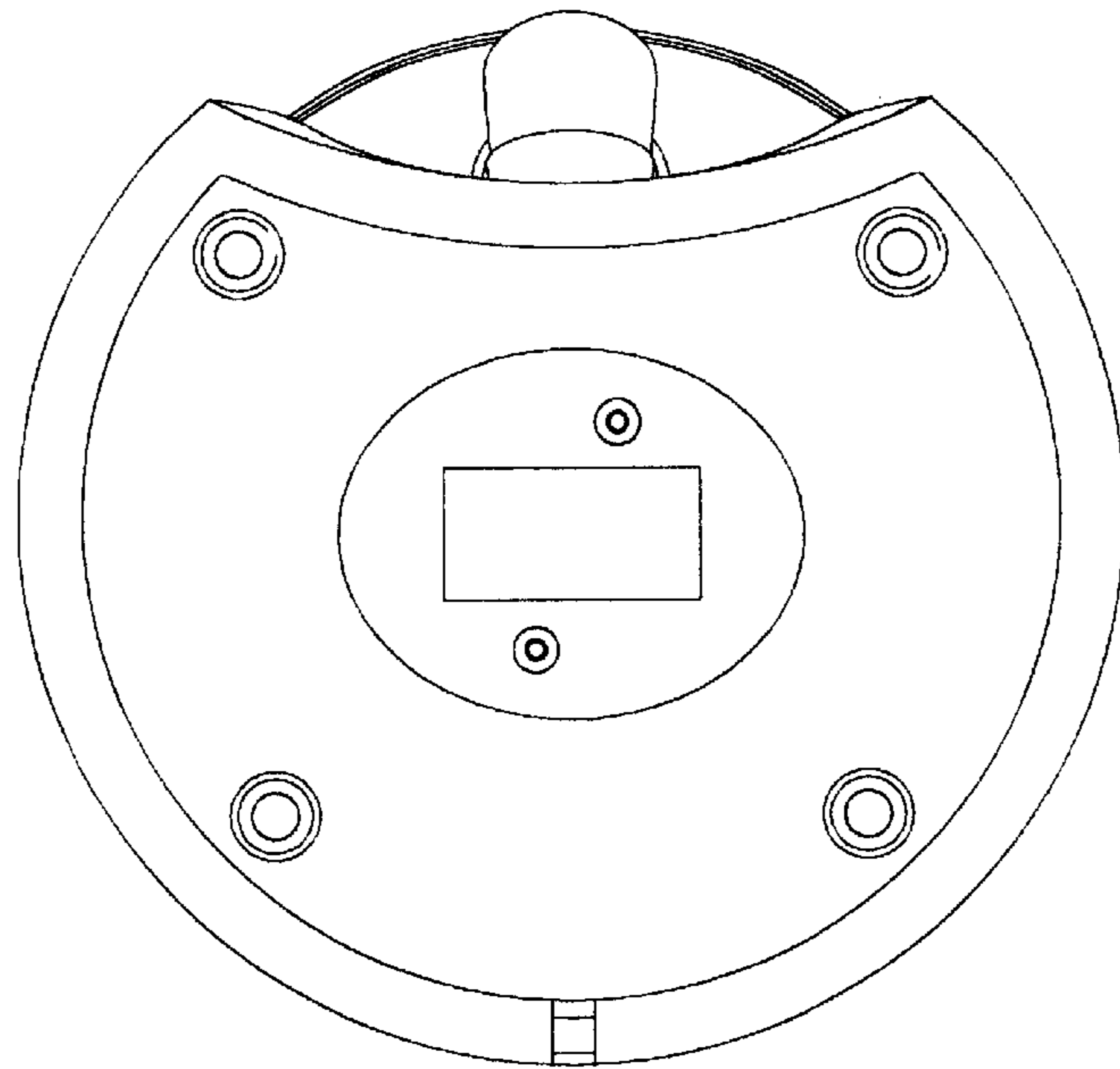
**FIG. 4**



**FIG. 5**

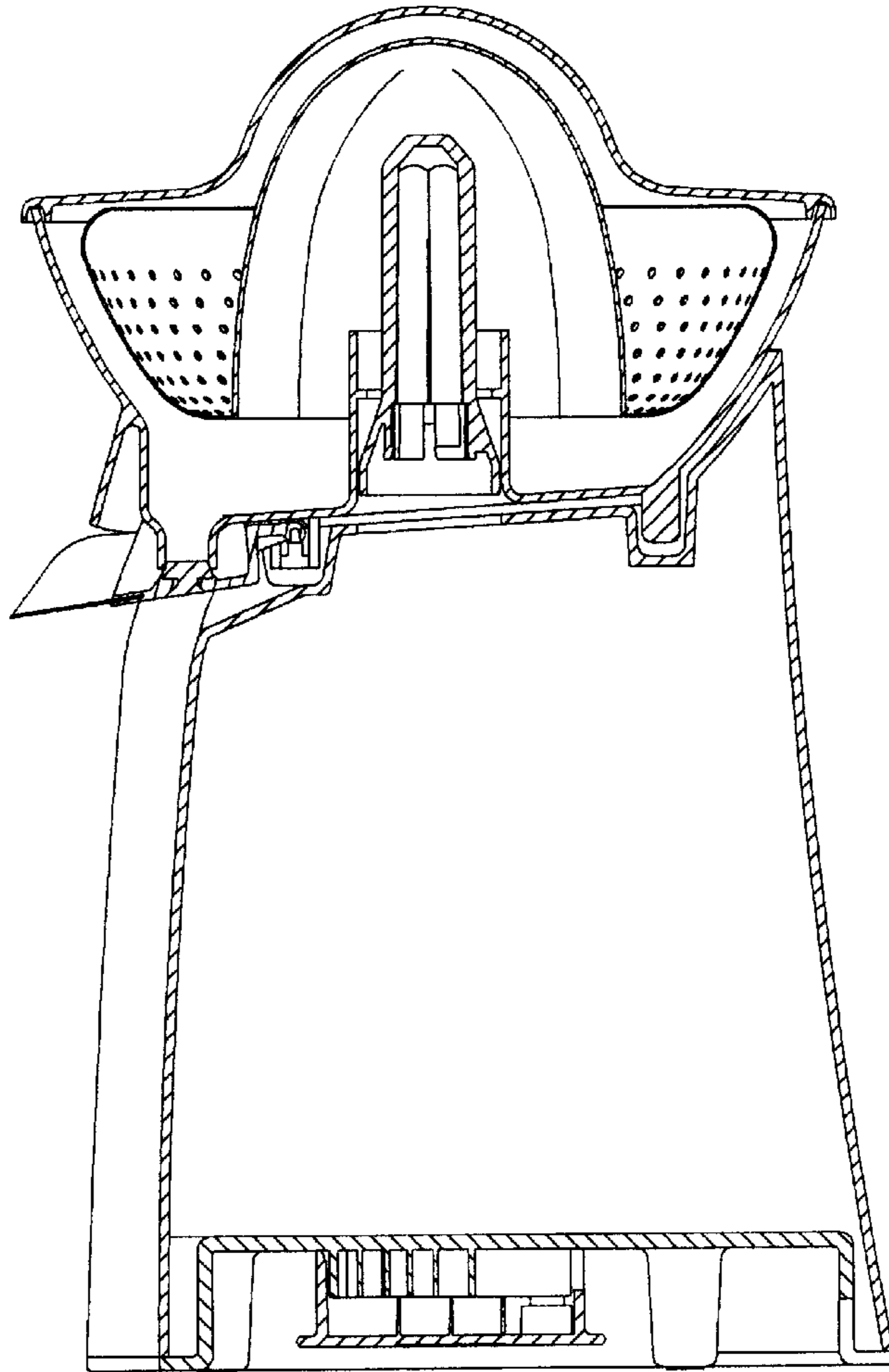


**FIG. 6**



**FIG. 7**





**FIG. 8**