



US00D544314S

(12) **United States Design Patent**  
**Shane-Schuldt**

(10) **Patent No.:** **US D544,314 S**  
(45) **Date of Patent:** **\*\* Jun. 12, 2007**

(54) **SPOON**

(75) Inventor: **Diane Shane-Schuldt**, Sherrill, NY  
(US)

(73) Assignee: **Oneida, Ltd.**, Oneida, NY (US)

(\*\*) Term: **14 Years**

(21) Appl. No.: **29/261,465**

(22) Filed: **Jun. 14, 2006**

(51) **LOC (8) Cl.** ..... **07-03**

(52) **U.S. Cl.** ..... **D7/653**

(58) **Field of Classification Search** ..... D7/368,  
D7/401.2, 642-664, 688-692, 669, 675, 676,  
D7/683; 30/137, 141, 142, 340, 147-150,  
30/322-329, 342-345; 416/70 R  
See application file for complete search history.

(56) **References Cited**

**U.S. PATENT DOCUMENTS**

D43,257 S *	11/1912	Osborne	.....	D7/653
D78,521 S *	5/1929	Kipp	.....	D7/653
D102,369 S *	12/1936	Hoyle	.....	D7/653
D107,063 S *	11/1937	Bernstein	.....	D7/653
D151,741 S *	11/1948	Conroy	.....	D7/653
D152,950 S *	3/1949	Eggleston	.....	D7/653

D165,201 S *	11/1951	Warren	.....	D7/653
D287,453 S *	12/1986	Bouilhet	.....	D7/653
D287,804 S *	1/1987	Cragin	.....	D7/653
D314,313 S *	2/1991	Richmond	.....	D7/653
D334,115 S *	3/1993	Richmond	.....	D7/660
D337,488 S *	7/1993	Gebhardt	.....	D7/653
D416,766 S *	11/1999	Richmond	.....	D7/653

\* cited by examiner

*Primary Examiner*—Cathron C. Brooks

*Assistant Examiner*—Ricky Pham

(74) *Attorney, Agent, or Firm*—Marjama & Bilinski LLP

(57) **CLAIM**

The ornamental design for a spoon, as shown and described.

**DESCRIPTION**

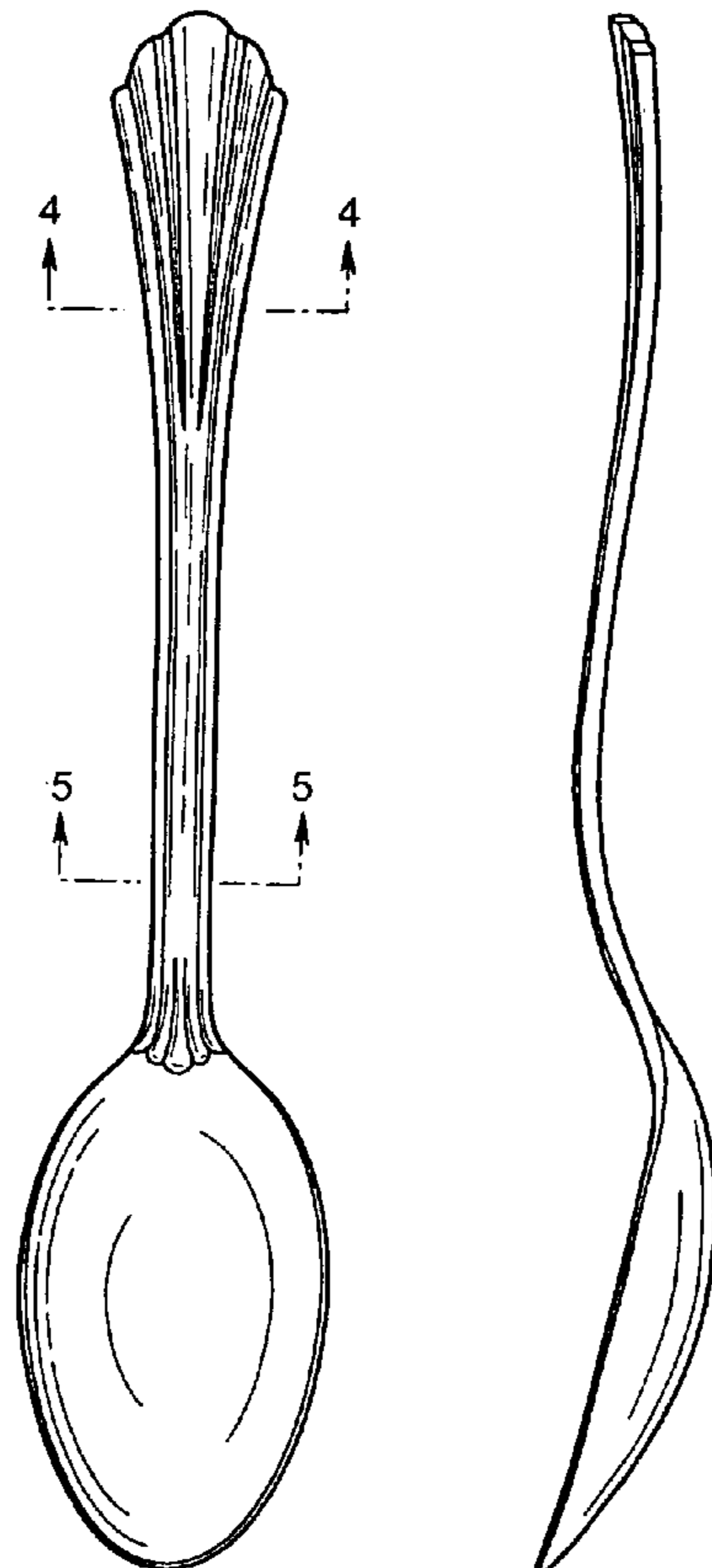
FIG. 1 is a top view of a spoon, illustrating my new Design;  
FIG. 2 is a right side view thereof; the left side view being  
a mirror image;

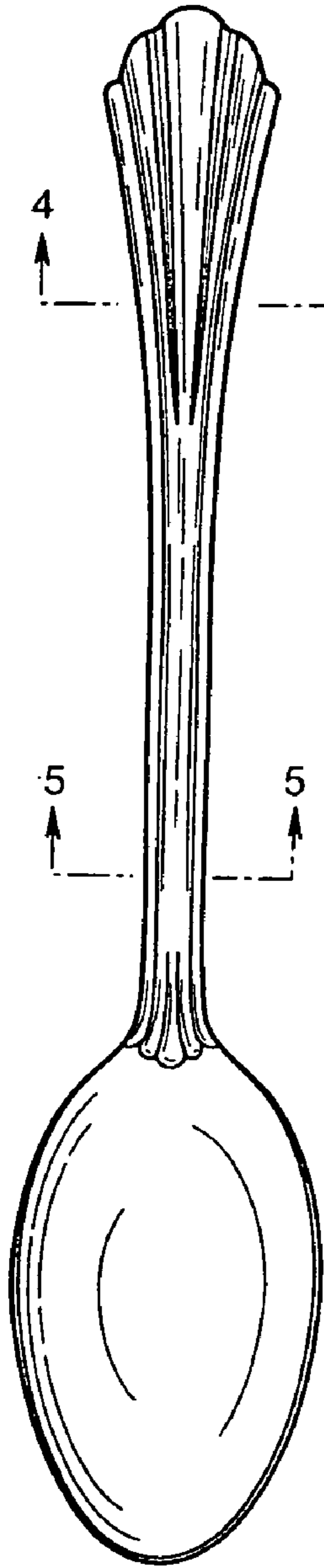
FIG. 3 is a bottom view thereof;

FIG. 4 is a cross-sectional view taken through line 4-4 of  
FIG. 1; and,

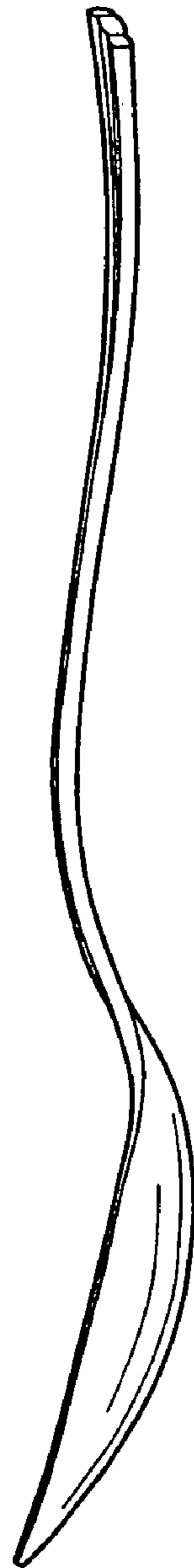
FIG. 5 is a cross-sectional view taken through line 5-5 of  
FIG. 1.

**1 Claim, 1 Drawing Sheet**

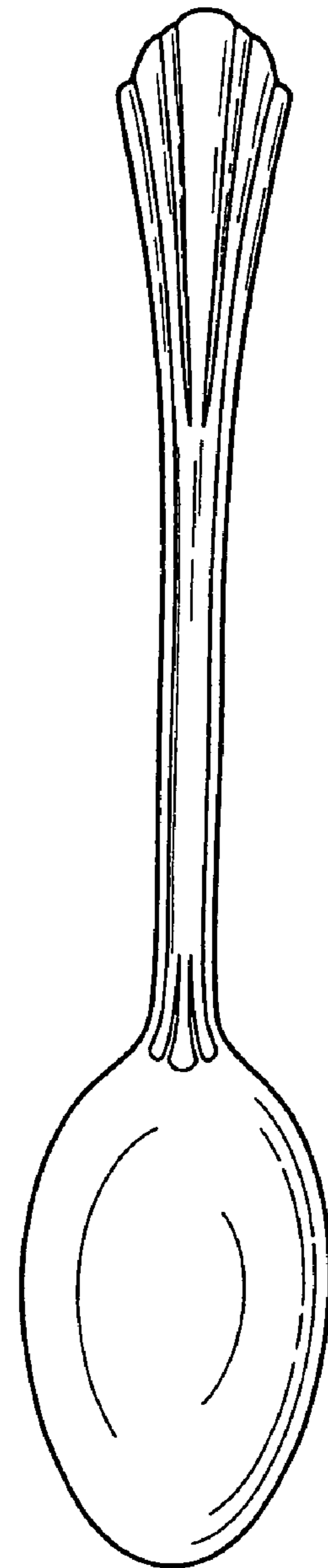




*Fig. 1*



*Fig. 2*



*Fig. 3*



*Fig. 4*



*Fig. 5*